

Series 75 Megaflex

- ▶ 100% full port
- ▶ Sleeve is only wetted part
- ▶ Able to seal on solids
- ▶ No packing to maintain
- ▶ Non-contaminating, intrinsically safe design
- ▶ Ideal for buried service

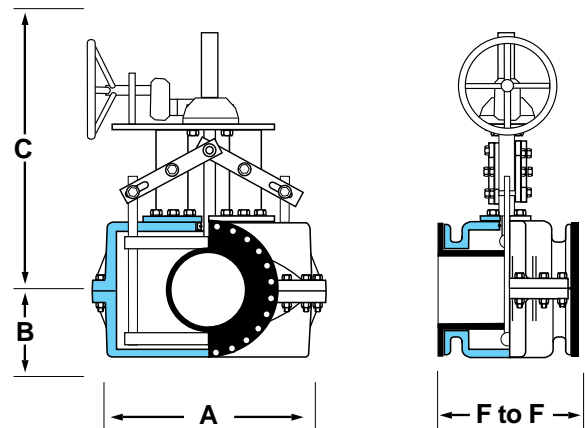


Megaflex Series 75 Manual Pinch Valves are ideal for reliable operation, long life, and low maintenance. The valves are constructed with a fabricated steel body and a double acting pinch mechanism which closes the sleeve on centerline. Red Valve Megaflex Series 75 Manual Pinch Valves maintain a smooth venturi when closing, with no obstruction to flow. The valve is a true full-ported design, with no crevices or dead spots to bind valve operation.

Megaflex Series 75 Manual Pinch Valves eliminate packing, bearings, and shafts, so maintenance is virtually eliminated. Fully closed, Series 75's have drop-tight shutoff and seal on solids. Because the flexible sleeve is the only part exposed to the line fluid, alloy bodies are not required, and maintenance of shafts and stems is eliminated. The valve's break-away torques always remain constant. Large diameter Series 75's are heavy duty, maintenance free valves. Electric actuators are frequently mounted for remote operation. Series 75 Megaflex Valves are available in standard ANSI flange.

Materials of Construction

- ▶ Cast iron or carbon steel body
- ▶ Available with stem extension
- ▶ Sleeves available in pure gum rubber, Neoprene, Hypalon, Buna-N, Hypalon, Viton, and EPDM
- ▶ ANSI Class 125/150



Dimensions Series 75 Megaflex

Size D	Length F to F	Width A	Height		Working Pressure (psi) *	Weight (lbs)
			B	C		
30"	60"	60"	27"	73"	50	5000
36"	72"	78"	31"	78"	50	5500
42"	84"	92"	36"	82"	50	6000
48"	96"	106"	41"	85"	50	6800
54"	108"	120"	48"	90"	50	7400
60"	120"	135"	55"	120"	50	8800
72"	144"	160"	65"	141"	25	10750
96"	192"	210"	90"	175"	25	11200

High Working Pressure Designs Available; ANSI Class 300#, 600#