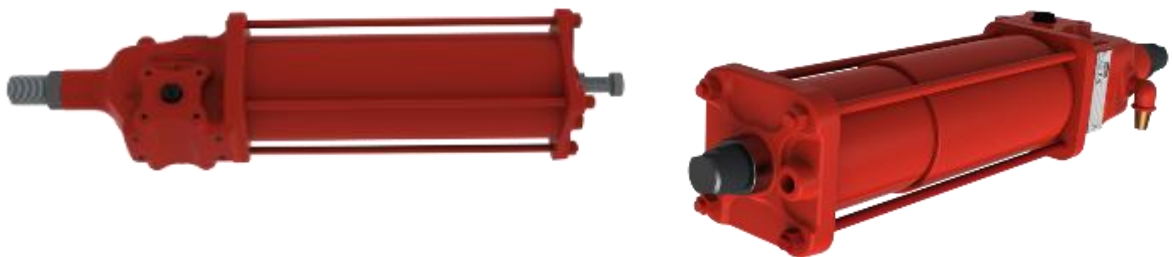


rotork[®]

Fluid Systems

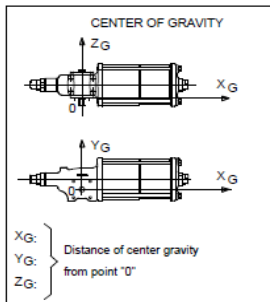
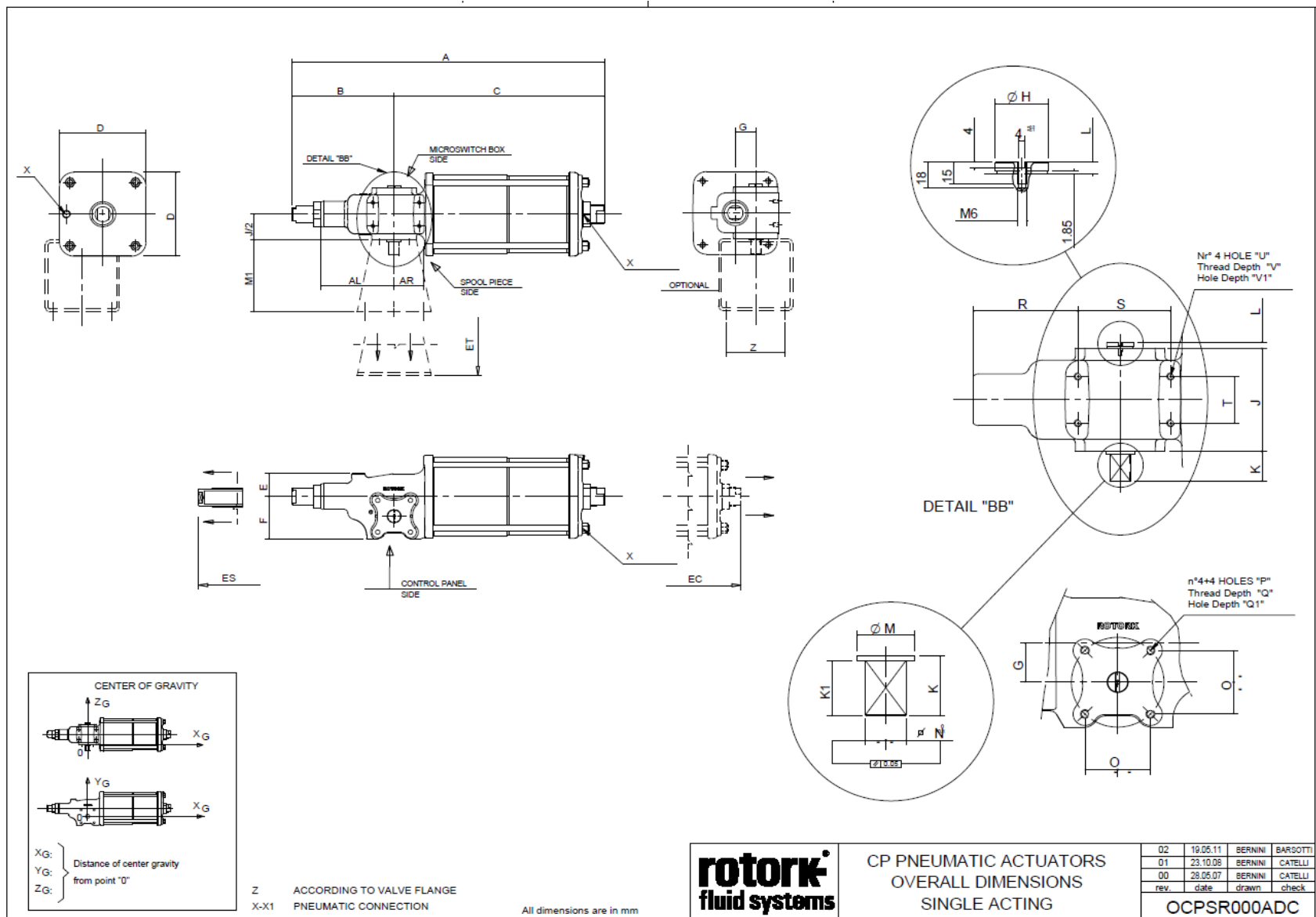
CP Spring Return Series Actuators

Dimension Data (metric)



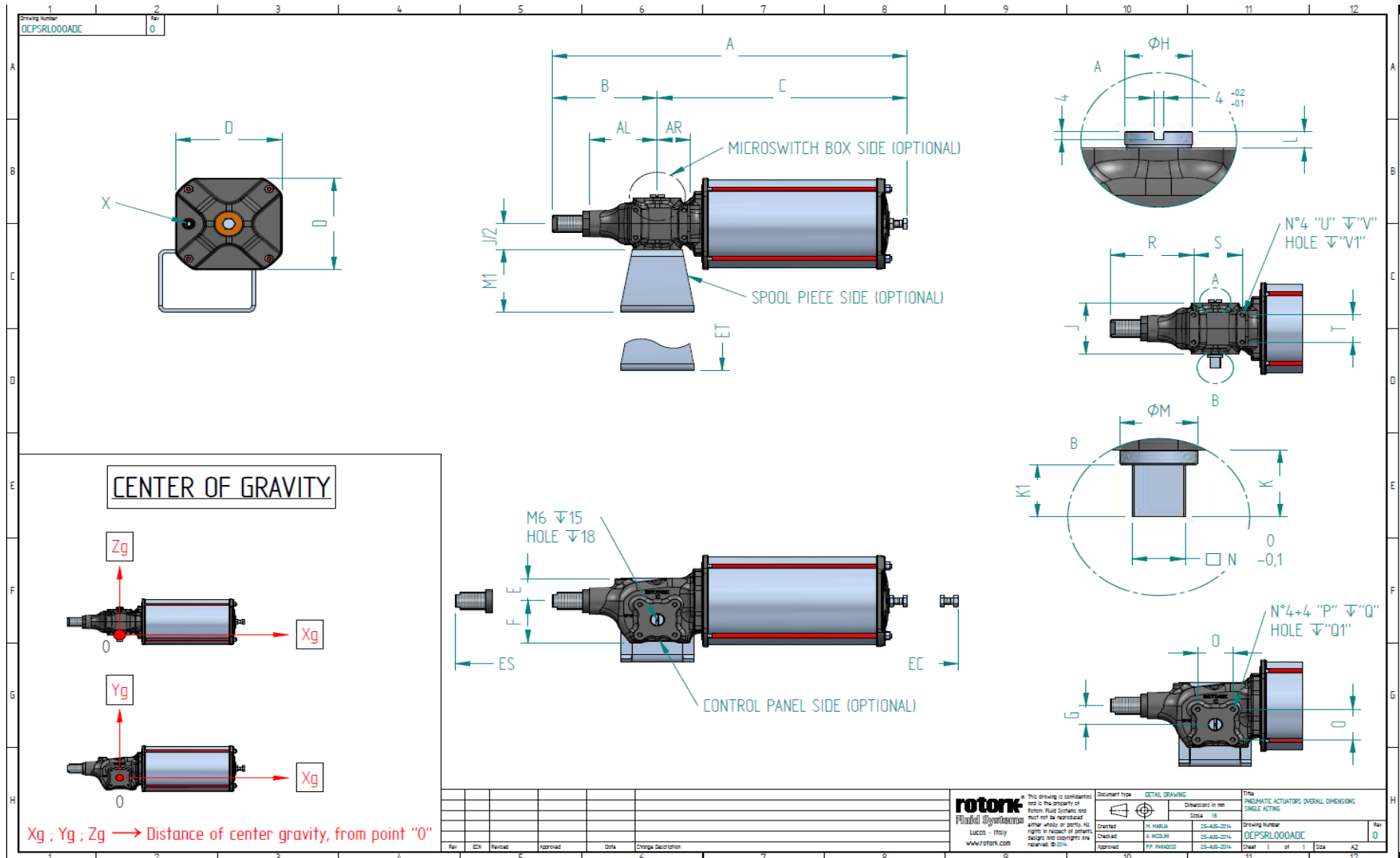
Date 16/05/2018

Revision 0

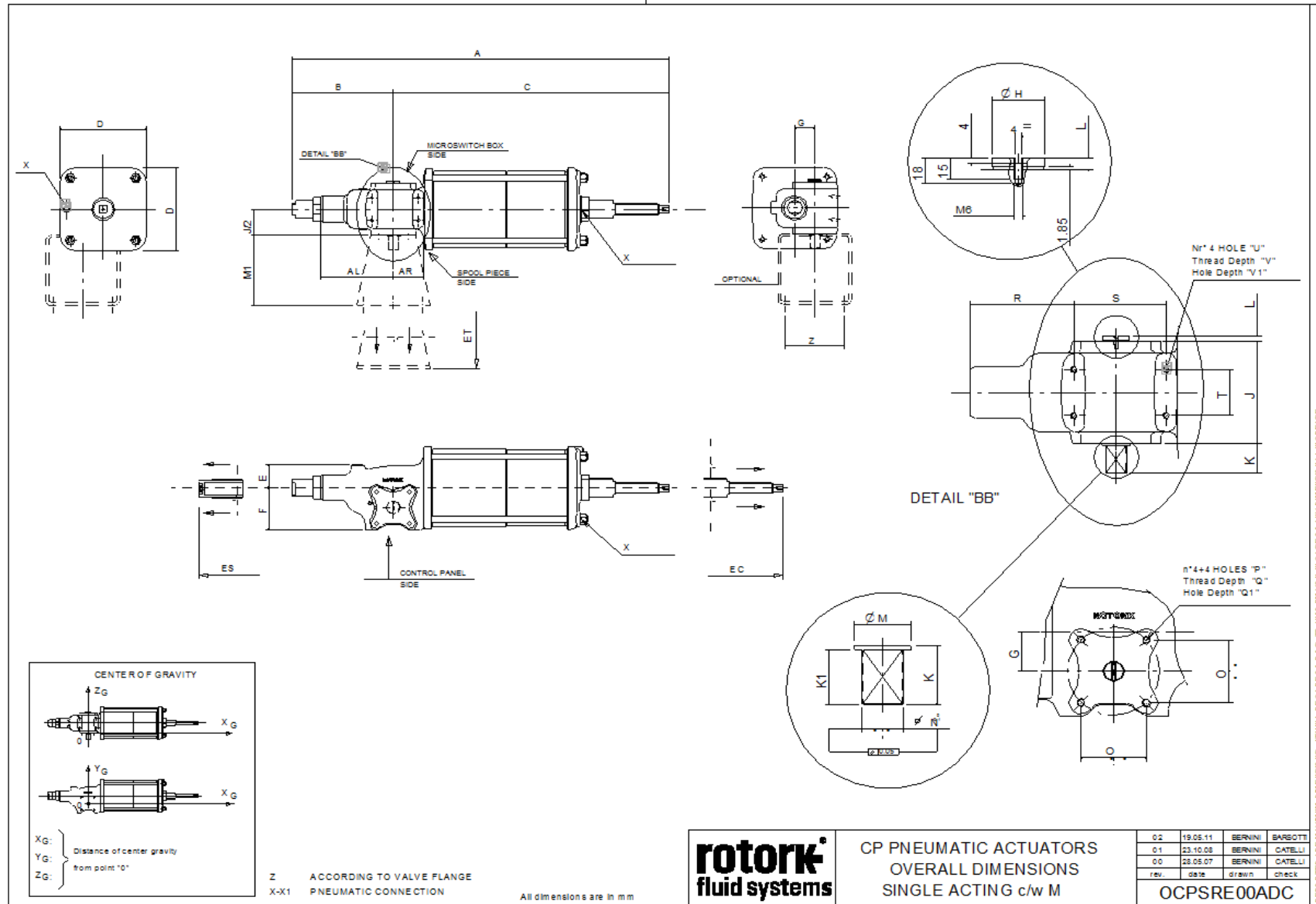


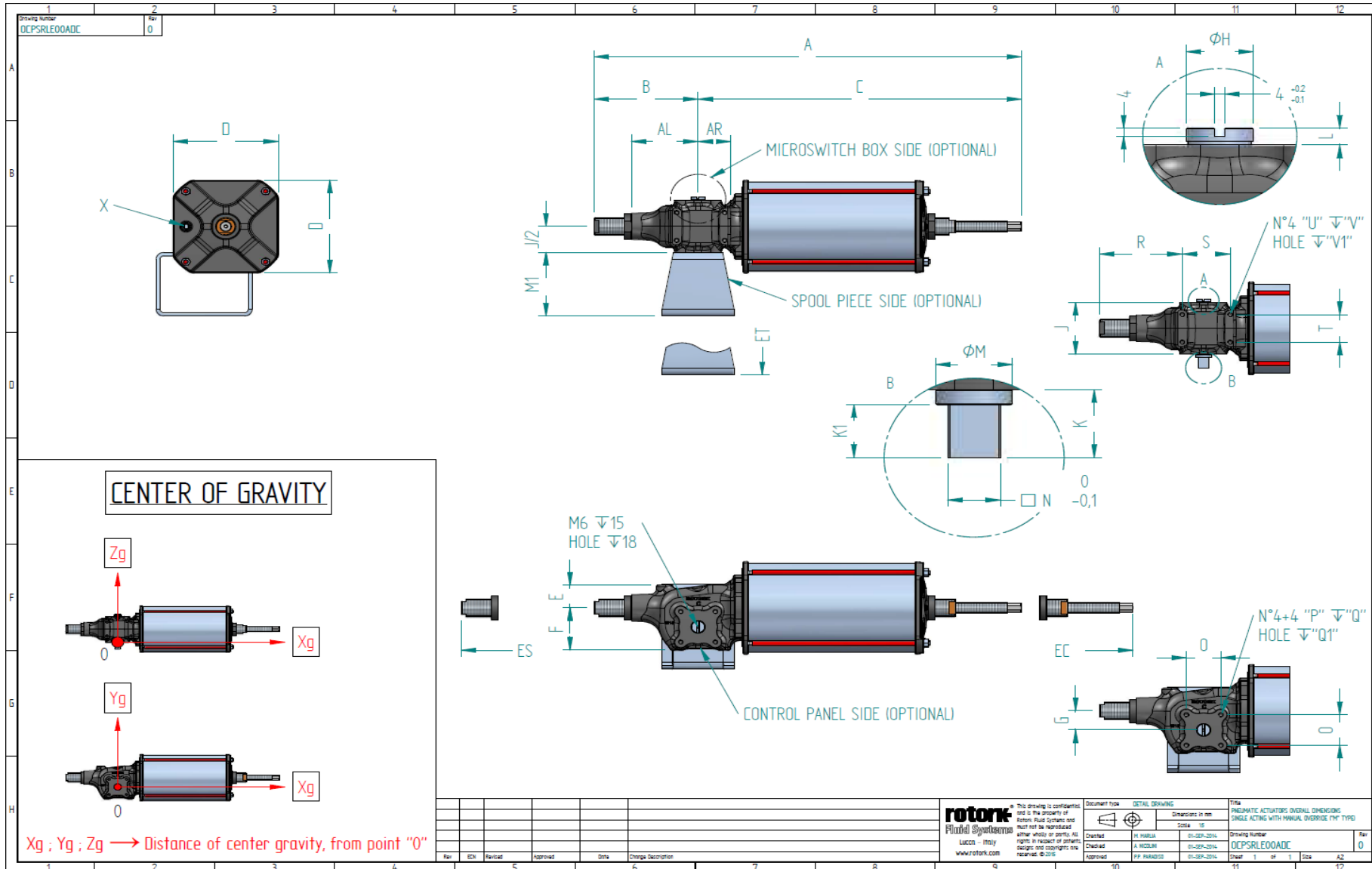
Z ACCORDING TO VALVE FLANGE
X-X1 PNEUMATIC CONNECTION

All dimensions are in mm



ACTUATOR MODEL	ISO 5211 FLANGE TYPE	ACTUATOR OVERALL DIMENSIONS (mm)							CENTER BODY (mm)		SHAFT OVERALL DIMENSIONS (mm) (OPTIONAL)						CLEARANCE FOR DISASSEMBLY (mm)			CONTROL COUPLING DIMENSIONS (mm)				SPOOL (mm) (OPTIONAL)			CONTROL PANEL COUPLING DIMENSIONS (mm)						DISPL. (R)	X (NPTF)	WEIGHT [kg]	CENTER OF GRAVITY		
		A	B	C	D	E	F	G	AL	AR	H	L	J	K	M	N	ES	EC	ET	O	P	Q	Q1	I/2	M1	weight	R	S	T	U	V	V1				Xg	Yg	Zg
CP/S-035-080*/AL	F07	616,5	175,5	441,0	97,0	43	71,5	35	116,5	48,0	19	6,5	98,5	27	22	16	70	70	100	49,5	M8	10,5	13	49,25	100	5	80	80	40	M10	10	13	0,5	1/4"	13	137	29	49
CP/S-035-080*/BL	F07	616,5	175,5	441,0	97,0	43	71,5	35	116,5	48,0	19	6,5	98,5	27	22	16	70	70	100	49,5	M8	10,5	13	49,25	100	5	80	80	40	M10	10	13	0,5	1/4"	14	139	29	49
CP/S-035-100*/AL	F07	615,0	175,5	439,5	117	43	71,5	35	116,5	48,0	19	6,5	98,5	27	22	16	70	70	100	49,5	M8	10,5	13	49,25	100	5	80	80	40	M10	10	13	0,7	1/4"	15	147	30	49
CP/S-035-100*/BL	F07	615,0	175,5	439,5	117	43	71,5	35	116,5	48,0	19	6,5	98,5	27	22	16	70	70	100	49,5	M8	10,5	13	49,25	100	5	80	80	40	M10	10	13	0,7	1/4"	16	149	30	49
CP/S-035-100*/CM	F07	615,0	175,5	439,5	117	43	71,5	35	116,5	48,0	19	6,5	98,5	27	22	16	70	70	100	49,5	M8	10,5	13	49,25	100	5	80	80	40	M10	10	13	0,7	1/4"	16	148	30	49
CP/S-035-100*/DM	F07	615,0	175,5	439,5	117	43	71,5	35	116,5	48,0	19	6,5	98,5	27	22	16	70	70	100	49,5	M8	10,5	13	49,25	100	5	80	80	40	M10	10	13	0,7	1/4"	16	148	30	49
CP/S-035-130*/CL	F07	619,5	175,5	444,0	144	43	71,5	35	116,5	48,0	19	6,5	98,5	27	22	16	70	70	100	49,5	M8	10,5	13	49,25	100	5	80	80	40	M10	10	13	1,2	1/4"	18	165	30	49
CP/S-035-130*/DL	F07	619,5	175,5	444,0	144	43	71,5	35	116,5	48,0	19	6,5	98,5	27	22	16	70	70	100	49,5	M8	10,5	13	49,25	100	5	80	80	40	M10	10	13	1,2	1/4"	18	165	30	49
CP/S-035-130*/EL	F07	619,5	175,5	444,0	144	43	71,5	35	116,5	48,0	19	6,5	98,5	27	22	16	70	70	100	49,5	M8	10,5	13	49,25	100	5	80	80	40	M10	10	13	1,2	1/4"	19	168	31	49
CP/S-035-140*/CL	F07	618,5	175,5	443,0	154,0	43	71,5	35	116,5	48,0	19	6,5	98,5	27	22	16	70	70	100	49,5	M8	10,5	13	49,25	100	5	80	80	40	M10	10	13	1,3	1/4"	20	175	31	49
CP/S-035-140*/DL	F07	618,5	175,5	443,0	154,0	43	71,5	35	116,5	48,0	19	6,5	98,5	27	22	16	70	70	100	49,5	M8	10,5	13	49,25	100	5	80	80	40	M10	10	13	1,3	1/4"	20	175	31	49
CP/S-035-140*/EL	F07	618,5	175,5	443,0	154,0	43	71,5	35	116,5	48,0	19	6,5	98,5	27	22	16	70	70	100	49,5	M8	10,5	13	49,25	100	5	80	80	40	M10	10	13	1,3	1/4"	21	177	31	49
CP/S-045-120*/AL	F10	729,5	216,5	513,0	136,0	53	100	45	139,0	64,0	28	8	122,5	32	32	22	95	70	150	72,1	M10	15	18	61,25	150	7	94,5	100	65	M10	15	18	1,2	1/4"	27	158	36	61
CP/S-045-120*/BL	F10	729,5	216,5	513,0	136,0	53	100	45	139,0	64,0	28	8	122,5	32	32	22	95	70	150	72,1	M10	15	18	61,25	150	7	94,5	100	65	M10	15	18	1,2	1/4"	28	159	36	61
CP/S-045-140*/AL	F10	727,0	216,5	510,5	154,0	53	100	45	139,0	62,0	28	8	122,5	32	32	22	95	70	150	72,1	M10	15	18	61,25	150	7	94,5	100	65	M10	15	18	1,7	1/4"	29	165	37	61
CP/S-045-140*/BL	F10	727,0	216,5	510,5	154,0	53	100	45	139,0	62,0	28	8	122,5	32	32	22	95	70	150	72,1	M10	15	18	61,25	150	7	94,5	100	65	M10	15	18	1,7	1/4"	30	166	37	61
CP/S-045-140*/CM	F10	727,0	216,5	510,5	154,0	53	100	45	139,0	62,0	28	8	122,5	32	32	22	95	70	150	72,1	M10	15	18	61,25	150	7	94,5	100	65	M10	15	18	1,7	1/4"	32	168	37	61
CP/S-045-140*/DM	F10	727,0	216,5	510,5	154,0	53	100	45	139,0	62,0	28	8	122,5	32	32	22	95	70	150	72,1	M10	15	18	61,25	150	7	94,5	100	65	M10	15	18	1,7	1/4"	33	170	38	61
CP/S-045-180*/CL	F10	731,0	216,5	514,5	194,0	53	100	45	139,0	64,0	28	8	122,5	32	32	22	95	70	150	72,1	M10	15	18	61,25	150	7	94,5	100	65	M10	15	18	2,8	1/4"	37	196	38	61
CP/S-045-180*/DL	F10	731,0	216,5	514,5	194,0	53	100	45	139,0	64,0	28	8	122,5	32	32	22	95	70	150	72,1	M10	15	18	61,25	150	7	94,5	100	65	M10	15	18	2,8	1/4"	38	197	38	61
CP/S-045-180*/EL	F10	731,0	216,5	514,5	194,0	53	100	45	139,0	64,0	28	8	122,5	32	32	22	95	70	150	72,1	M10	15	18	61,25	150	7	94,5	100	65	M10	15	18	2,8	1/4"	39	198	38	61
CP/S-045-200*/CL	F10	732,0	216,5	515,5	217,0	53	100	45	139,0	64,0	28	8	122,5	32	32	22	95	70	150	72,1	M10	15	18	61,25	150	7	94,5	100	65	M10	15	18	3,5	1/4"	41	211	39	61
CP/S-045-200*/DL	F10	732,0	216,5	515,5	217,0	53	100	45	139,0	64,0	28	8	122,5	32	32	22	95	70	150	72,1	M10	15	18	61,25	150	7	94,5	100	65	M10	15	18	3,5	1/4"	42	212	39	61
CP/S-045-200*/EL	F10	732,0	216,5	515,5	217,0	53	100	45	139,0	64,0	28	8	122,5	32	32	22	95	70	150	72,1	M10	15	18	61,25	150	7	94,5	100	65	M10	15	18	3,5	1/4"	43	213	39	61





Rev	ECN	Revised	Approved	Date	Change Description

rotork
Fluid Systems
Lucca - Italy
www.rotork.com

This drawing is confidential and is the property of Rotork Fluid Systems and must not be reproduced, altered, copied or used in any way without the prior written consent of Rotork Fluid Systems. © 2016

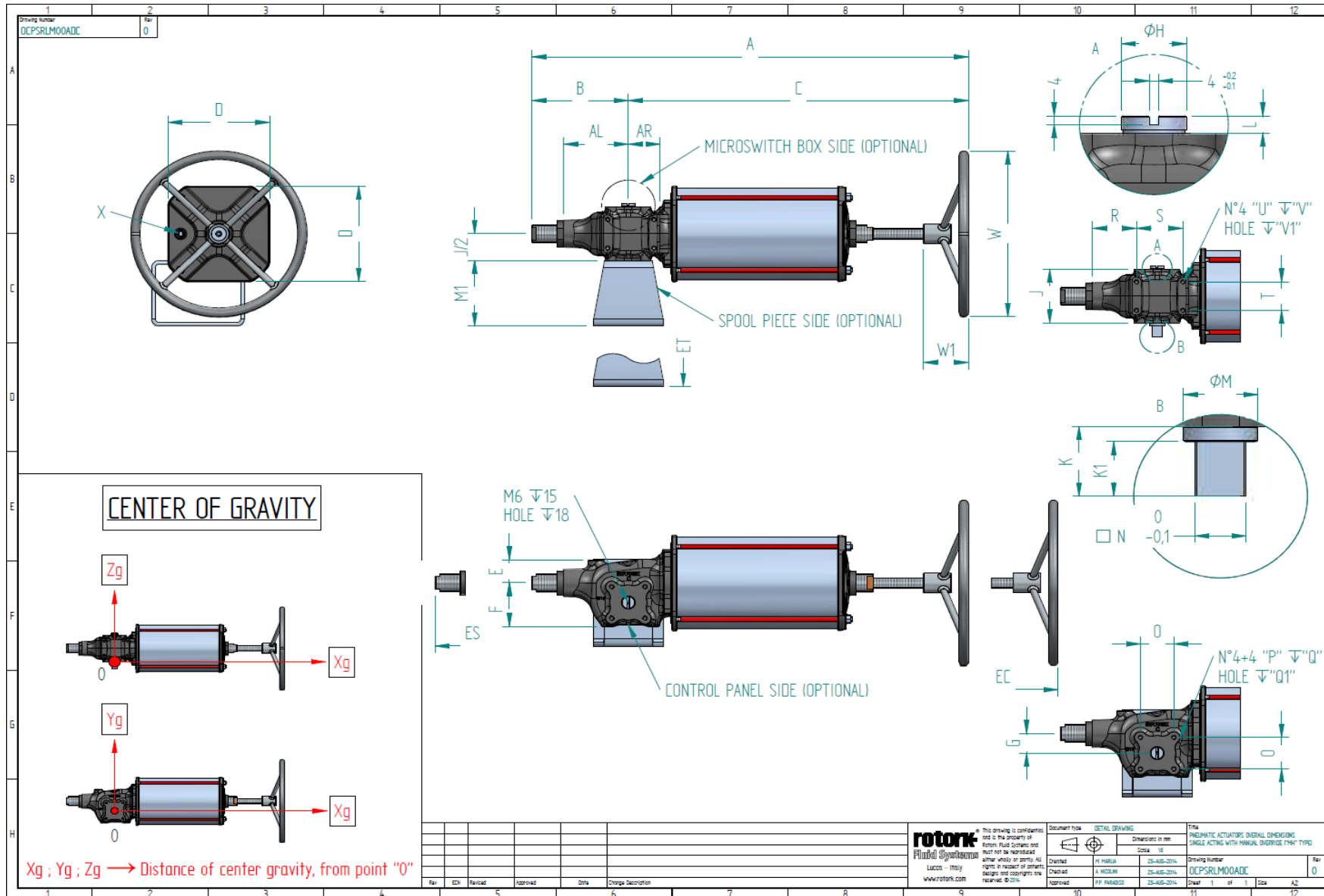
Document type: DETAIL DRAWING
Dimensions in mm: Scale: 1:1

Drawn	M. MARINI	01-09-2016
Checked	A. MOLLINI	01-09-2016
Approved	P.P. PARODISI	01-09-2016

Title: PNEUMATIC ACTUATORS OVERALL DIMENSIONS SINGLE ACTING WITH MANUAL OVERRIDE (M) TYPE
Drawing Number: DCPSRLE00A0C
Sheet: 1 of 1
Scale: A2

ACTUATOR MODEL	ISO 5211 FLANGE TYPE	ACTUATOR OVERALL DIMENSIONS (mm)								CENTER BODY (mm)		SHAFT OVERALL DIMENSIONS (mm) (OPTIONAL)								CLEARANCE FOR DISASSEMBLY (mm)			CONTROL COUPLING DIMENSIONS (mm)				SPOOL (mm) (OPTIONAL)			CONTROL PANEL COUPLING DIMENSIONS (mm)						DISPL. (lt)	K (N/TF)	WEIGHT [kg]	CENTER OF GRAVITY		
		A	B	C	D	E	F	G	AL	AR	H	L	J	K	K1	M	N	ES	EC	ET	O	P	Q	Q1	I/2	M1	weight	R	S	T	U	V	V1	Xg	Yg				Zg		
CP/5-035-080°/ALM	F07	728	176	552	97	43	72	35	116.5	48.0	19	6.5	97	27	24	22	16	70	180	100	50	M8	10.5	13	49.25	100	5	80	80	40	M10	10	13	1/4"	0.5	14	147	29	49		
CP/5-035-080°/RLM	F07	728	176	552	97	43	72	35	116.5	48.0	19	6.5	97	27	24	22	16	70	180	100	50	M8	10.5	13	49.25	100	5	80	80	40	M10	10	13	1/4"	0.5	14	149	29	49		
CP/5-035-100°/ALM	F07	727	176	551	117	43	72	35	116.5	48.0	19	6.5	98.5	27	24	22	16	70	180	100	50	M8	10.5	13	49.25	100	5	80	80	40	M10	10	13	1/4"	0.7	16	154	29	49		
CP/5-035-100°/RLM	F07	727	176	551	117	43	72	35	116.5	48.0	19	6.5	98.5	27	24	22	16	70	180	100	50	M8	10.5	13	49.25	100	5	80	80	40	M10	10	13	1/4"	0.7	16	155	30	49		
CP/5-035-100°/CLM	F07	727	176	551	117	43	72	35	116.5	48.0	19	6.5	98.5	27	24	22	16	70	180	100	50	M8	10.5	13	49.25	100	5	80	80	40	M10	10	13	1/4"	0.7	16	156	30	49		
CP/5-035-100°/DLM	F07	727	176	551	117	43	72	35	116.5	48.0	19	6.5	98.5	27	24	22	16	70	180	100	50	M8	10.5	13	49.25	100	5	80	80	40	M10	10	13	1/4"	0.7	16	155	30	49		
CP/5-035-130°/ALM	F07	730	176	555	144	43	72	35	116.5	48.0	19	6.5	98.5	27	24	22	16	70	180	100	50	M8	10.5	13	49.25	100	5	80	80	40	M10	10	13	1/4"	1.2	19	171	31	49		
CP/5-035-130°/RLM	F07	730	176	555	144	43	72	35	116.5	48.0	19	6.5	98.5	27	24	22	16	70	180	100	50	M8	10.5	13	49.25	100	5	80	80	40	M10	10	13	1/4"	1.2	19	173	31	49		
CP/5-035-130°/CLM	F07	730	176	555	144	43	72	35	116.5	48.0	19	6.5	98.5	27	24	22	16	70	180	100	50	M8	10.5	13	49.25	100	5	80	80	40	M10	10	13	1/4"	1.2	20	173	31	49		
CP/5-035-130°/DLM	F07	730	176	555	144	43	72	35	116.5	48.0	19	6.5	98.5	27	24	22	16	70	180	100	50	M8	10.5	13	49.25	100	5	80	80	40	M10	10	13	1/4"	1.2	20	173	31	49		
CP/5-035-140°/ALM	F07	730	176	554	154	43	72	35	116.5	48.0	19	6.5	98.5	27	24	22	16	70	180	100	50	M8	10.5	13	49.25	100	5	80	80	40	M10	10	13	1/4"	1.3	20	181	31	49		
CP/5-035-140°/RLM	F07	730	176	554	154	43	72	35	116.5	48.0	19	6.5	98.5	27	24	22	16	70	180	100	50	M8	10.5	13	49.25	100	5	80	80	40	M10	10	13	1/4"	1.3	20	182	31	49		
CP/5-035-140°/CLM	F07	730	176	554	154	43	72	35	116.5	48.0	19	6.5	98.5	27	24	22	16	70	180	100	50	M8	10.5	13	49.25	100	5	80	80	40	M10	10	13	1/4"	1.3	20	181	31	49		
CP/5-035-140°/DLM	F07	730	176	554	154	43	72	35	116.5	48.0	19	6.5	98.5	27	24	22	16	70	180	100	50	M8	10.5	13	49.25	100	5	80	80	40	M10	10	13	1/4"	1.3	20	181	31	49		
CP/5-045-120°/ALM	F10	887	217	671	136	53	100	45	139.0	64.0	28	8	122.5	32	25	32	22	95	227	150	72.1	M10	15	18	61.25	150	7	94.5	100	65	M10	15	18	1/4"	1.2	28	175	36	61		
CP/5-045-120°/RLM	F10	887	217	671	136	53	100	45	139.0	64.0	28	8	122.5	32	25	32	22	95	227	150	72.1	M10	15	18	61.25	150	7	94.5	100	65	M10	15	18	1/4"	1.2	29	176	36	61		
CP/5-045-140°/ALM	F10	883	217	666	154	53.5	100	45	139.0	62.0	28	8	122.5	32	25	32	22	95	227	150	72.1	M10	15	18	61.25	150	7	94.5	100	65	M10	15	18	1/4"	1.7	31	180	37	61		
CP/5-045-140°/RLM	F10	883	217	666	154	53.5	100	45	139.0	62.0	28	8	122.5	32	25	32	22	95	227	150	72.1	M10	15	18	61.25	150	7	94.5	100	65	M10	15	18	1/4"	1.7	31	181	37	61		
CP/5-045-140°/CLM	F10	883	217	666	154	53.5	100	45	139.0	62.0	28	8	122.5	32	25	32	22	95	227	150	72.1	M10	15	18	61.25	150	7	94.5	100	65	M10	15	18	1/4"	1.7	31	182	38	61		
CP/5-045-140°/DLM	F10	883	217	666	154	53.5	100	45	139.0	62.0	28	8	122.5	32	25	32	22	95	227	150	72.1	M10	15	18	61.25	150	7	94.5	100	65	M10	15	18	1/4"	1.7	34	183	38	61		
CP/5-045-180°/ALM	F10	888	217	671	194	53	100	45	139.0	64.0	28	8	122.5	32	25	32	22	95	227	150	72.1	M10	15	18	61.25	150	7	94.5	100	65	M10	15	18	1/4"	2.8	39	207	38	61		
CP/5-045-180°/RLM	F10	888	217	671	194	53	100	45	139.0	64.0	28	8	122.5	32	25	32	22	95	227	150	72.1	M10	15	18	61.25	150	7	94.5	100	65	M10	15	18	1/4"	2.8	39	207	38	61		
CP/5-045-180°/CLM	F10	888	217	671	194	53	100	45	139.0	64.0	28	8	122.5	32	25	32	22	95	227	150	72.1	M10	15	18	61.25	150	7	94.5	100	65	M10	15	18	1/4"	2.8	40	209	39	61		
CP/5-045-180°/DLM	F10	888	217	671	194	53	100	45	139.0	64.0	28	8	122.5	32	25	32	22	95	227	150	72.1	M10	15	18	61.25	150	7	94.5	100	65	M10	15	18	1/4"	2.8	40	209	39	61		
CP/5-045-200°/ALM	F10	890	217	673	217	53	100	45	139.0	64.0	28	8	122.5	32	25	32	22	95	227	150	72.1	M10	15	18	61.25	150	7	94.5	100	65	M10	15	18	1/4"	3.5	43	221	39	61		
CP/5-045-200°/RLM	F10	890	217	673	217	53	100	45	139.0	64.0	28	8	122.5	32	25	32	22	95	227	150	72.1	M10	15	18	61.25	150	7	94.5	100	65	M10	15	18	1/4"	3.5	43	222	39	61		
CP/5-045-200°/CLM	F10	890	217	673	217	53	100	45	139.0	64.0	28	8	122.5	32	25	32	22	95	227	150	72.1	M10	15	18	61.25	150	7	94.5	100	65	M10	15	18	1/4"	3.5	44	223	39	61		
CP/5-045-200°/DLM	F10	890	217	673	217	53	100	45	139.0	64.0	28	8	122.5	32	25	32	22	95	227	150	72.1	M10	15	18	61.25	150	7	94.5	100	65	M10	15	18	1/4"	3.5	44	223	39	61		

ACTUATOR MODEL	ISO 5211 FLANGE TYPE	ACTUATOR OVERALL DIMENSIONS (mm)										CENTER BODY (mm)		SHAFT OVERALL DIMENSIONS (mm) (OPTIONAL)										CLEARANCE FOR DISASSEMBLY (mm)			CONTROL COUPLING DIMENSIONS (mm)				SPOOL (mm) (OPTIONAL)			CONTROL PANEL COUPLING DIMENSIONS (mm)					DISPL. (N)	X (NPT)	WEIGHT (kg)	CENTER OF GRAVITY		
		A	B	C	D	E	F	G	W	W1	W2	AL	AR	H	L	J	K	K1	M	N	ES	EC	ET	O	P	Q	Q1	I/2	M1	weight	R	S	T	U	V	V1	Xg	Yg				Zg		
CPV-035-0807/AA MH	F07	787	167	620	112	43	71.5	35	220	76	116.5	51.5	19	6.5	98.5	27	24	22	16	80	145	100	49.5	M8	10.5	13	49.25	100	5	80	80	40	M10	10	13	0.5	1/4"	19	169	30	49			
CPV-035-0807/BA MH	F07	787	167	620	112	43	71.5	35	220	76	116.5	51.5	19	6.5	98.5	27	24	22	16	80	145	100	49.5	M8	10.5	13	49.25	100	5	80	80	40	M10	10	13	0.5	1/4"	19	169	30	49			
CPV-035-1007/AA MH	F07	787	167	620	127	43	71.5	35	220	76	116.5	49.0	19	6.5	98.5	27	24	22	16	80	145	100	49.5	M8	10.5	13	49.25	100	5	80	80	40	M10	10	13	0.7	1/4"	21	183	31	49			
CPV-035-1007/BA MH	F07	787	167	620	127	43	71.5	35	220	76	116.5	49.0	19	6.5	98.5	27	24	22	16	80	145	100	49.5	M8	10.5	13	49.25	100	5	80	80	40	M10	10	13	0.7	1/4"	21	183	31	49			
CPV-035-1307/AA MH	F07	787	167	620	137	43	71.5	35	220	76	116.5	49.0	19	6.5	98.5	27	24	22	16	80	145	100	49.5	M8	10.5	13	49.25	100	5	80	80	40	M10	10	13	0.7	1/4"	22	184	31	49			
CPV-035-1307/BA MH	F07	787	167	620	137	43	71.5	35	220	76	116.5	49.0	19	6.5	98.5	27	24	22	16	80	145	100	49.5	M8	10.5	13	49.25	100	5	80	80	40	M10	10	13	0.7	1/4"	22	184	31	49			
CPV-035-1307/CA MH	F07	788	167	621	143	43	71.5	35	220	76	116.5	51.5	19	6.5	98.5	27	24	22	16	80	145	100	49.5	M8	10.5	13	49.25	100	5	80	80	40	M10	10	13	1.2	1/4"	27	196	32	49			
CPV-035-1307/DA MH	F07	788	167	621	143	43	71.5	35	220	76	116.5	51.5	19	6.5	98.5	27	24	22	16	80	145	100	49.5	M8	10.5	13	49.25	100	5	80	80	40	M10	10	13	1.2	1/4"	27	196	32	49			
CPV-035-1307/EA MH	F07	788	167	621	143	43	71.5	35	220	76	116.5	51.5	19	6.5	98.5	27	24	22	16	80	145	100	49.5	M8	10.5	13	49.25	100	5	80	80	40	M10	10	13	1.2	1/4"	28	198	32	49			
CPV-035-1407/AA MH	F07	790	167	623	174	43	71.5	35	220	76	116.5	51.5	19	6.5	98.5	27	24	22	16	80	145	100	49.5	M8	10.5	13	49.25	100	5	80	80	40	M10	10	13	1.4	1/4"	28	207	32	49			
CPV-035-1407/BA MH	F07	790	167	623	174	43	71.5	35	220	76	116.5	51.5	19	6.5	98.5	27	24	22	16	80	145	100	49.5	M8	10.5	13	49.25	100	5	80	80	40	M10	10	13	1.4	1/4"	28	207	32	49			
CPV-035-1407/CA MH	F07	790	167	623	174	43	71.5	35	220	76	116.5	51.5	19	6.5	98.5	27	24	22	16	80	145	100	49.5	M8	10.5	13	49.25	100	5	80	80	40	M10	10	13	1.4	1/4"	29	209	32	49			
CPV-035-1407/DA MH	F07	790	167	623	174	43	71.5	35	220	76	116.5	51.5	19	6.5	98.5	27	24	22	16	80	145	100	49.5	M8	10.5	13	49.25	100	5	80	80	40	M10	10	13	1.4	1/4"	29	209	32	49			
CPV-045-1207/AA MH	F10	931	208	728	158.5	53	100	45	390	64	139.0	69.0	28	8	122.5	32	25	32	22	90	175	150	72.1	M10	15	18	61.25	150	7	94.5	100	65	M10	15	18	1.3	1/4"	36	201	37	61			
CPV-045-1207/BA MH	F10	931	208	728	158.5	53	100	45	390	64	139.0	69.0	28	8	122.5	32	25	32	22	90	175	150	72.1	M10	15	18	61.25	150	7	94.5	100	65	M10	15	18	1.3	1/4"	36	201	37	61			
CPV-045-1407/AA MH	F10	932	208	724	174	53	100	45	390	64	139.0	66.0	28	8	122.5	32	25	32	22	90	175	150	72.1	M10	15	18	61.25	150	7	94.5	100	65	M10	15	18	1.8	1/4"	39	204	38	62			
CPV-045-1407/BA MH	F10	932	208	724	174	53	100	45	390	64	139.0	66.0	28	8	122.5	32	25	32	22	90	175	150	72.1	M10	15	18	61.25	150	7	94.5	100	65	M10	15	18	1.8	1/4"	39	204	38	62			
CPV-045-1407/CA MH	F10	932	208	724	174	53	100	45	390	64	139.0	66.0	28	8	122.5	32	25	32	22	90	175	150	72.1	M10	15	18	61.25	150	7	94.5	100	65	M10	15	18	1.8	1/4"	42	210	39	62			
CPV-045-1407/DA MH	F10	932	208	724	174	53	100	45	390	64	139.0	66.0	28	8	122.5	32	25	32	22	90	175	150	72.1	M10	15	18	61.25	150	7	94.5	100	65	M10	15	18	1.8	1/4"	42	210	39	62			
CPV-045-1407/EA MH	F10	933	208	725	209.5	53	100	45	390	64	139.0	69.0	28	8	122.5	32	25	32	22	90	175	150	72.1	M10	15	18	61.25	150	7	94.5	100	65	M10	15	18	2.0	1/4"	50	234	39	61			
CPV-045-1807/AA MH	F10	933	208	725	209.5	53	100	45	390	64	139.0	69.0	28	8	122.5	32	25	32	22	90	175	150	72.1	M10	15	18	61.25	150	7	94.5	100	65	M10	15	18	2.0	1/4"	51	233	40	61			
CPV-045-1807/BA MH	F10	933	208	725	209.5	53	100	45	390	64	139.0	69.0	28	8	122.5	32	25	32	22	90	175	150	72.1	M10	15	18	61.25	150	7	94.5	100	65	M10	15	18	2.0	1/4"	51	233	40	61			
CPV-045-2007/AA MH	F10	934	208	726	233.5	53	100	45	390	64	139.0	69.0	28	8	122.5	32	25	32	22	90	175	150	72.1	M10	15	18	61.25	150	7	94.5	100	65	M10	15	18	2.6	1/4"	57	248	40	61			
CPV-045-2007/BA MH	F10	934	208	726	233.5	53	100	45	390	64	139.0	69.0	28	8	122.5	32	25	32	22	90	175	150	72.1	M10	15	18	61.25	150	7	94.5	100	65	M10	15	18	2.6	1/4"	57	248	40	61			
CPV-045-2007/CA MH	F10	934	208	726	233.5	53	100	45	390	64	139.0	69.0	28	8	122.5	32	25	32	22	90	175	150	72.1	M10	15	18	61.25	150	7	94.5	100	65	M10	15	18	3.6	1/4"	58	248	41	61			
CPV-045-2007/DA MH	F10	934	208	726	233.5	53	100	45	390	64	139.0	69.0	28	8	122.5	32	25	32	22	90	175	150	72.1	M10	15	18	61.25	150	7	94.5	100	65	M10	15	18	3.6	1/4"	58	248	40	61			
CPV-055-1607/AA MH	F12	1073	275	799	194	64	118	55	390	64	198.0	81.0	36	8	144	42	38.5	39	28	120	225	200	88.4	M12	18	22	72	200	12	141	115	65	M10	15	18	2.8	1/2"	60	220	45	72			
CPV-055-1607/BA MH	F12	1073	275	799	194	64	118	55	390	64	198.0	81.0	36	8	144	42	38.5	39	28	120	225	200	88.4	M12	18	22	72	200	12	141	115	65	M10	15	18	2.8	1/2"	61	220	46	72			
CPV-055-2007/AA MH	F12	1073	275	800	233.5	64	118	55	390	64	198.0	81.0	36	8	144	42	38.5	39	28	120	225	200	88.4	M12	18	22	72	200	12	141	115	65	M10	15	18	4.4	1/2"	71	229	47	72			
CPV-055-2007/BA MH	F12	1073	275	800	233.5	64	118	55	390	64	198.0	81.0	36	8	144	42	38.5	39	28	120	225	200	88.4	M12	18	22	72	200	12	141	115	65	M10	15	18	4.4	1/2"	71	229	47	72			
CPV-055-2007/CA MH	F12	1074	275	800	233.5	64	118	55	390	64	198.0	81.0	36	8	144	42	38.5	39	28	120	225	200	88.4	M12	18	22	72	200	12	141	115	65	M10	15	18	4.4	1/2"	78	239	48	72			
CPV-055-2007/DA MH	F12	1074	275	800	233.5	64	118	55	390	64	198.0	81.0	36	8	144	42	38.5	39	28	120	225	200	88.4	M12	18	22	72	200	12	141	115	65	M10	15	18	4.4	1/2"	78	239	48	72			
CPV-055-2507/AA MH	F12	1078	275	803	291	64	118	55	390	64	198.0	81.0	36	8	144	42	38.5	39	28	120	225	200	88.4	M12	18	22	72	200	12	141	115	65	M10	15	18	6.9	1/2"	93	259	49	72			
CPV-055-2507/BA MH	F12	1078	275	803	291	64	118	55	390	64	198.0	81.0	36	8	144	42	38.5	39	28	120	225	200	88.4	M12	18	22	72	200	12	141	115	65	M10	15	18	6.9	1/2"	94	259	49	72			
CPV-055-2507/CA MH	F12	1078	275	803	291	64	118	55	390																																			



ACTUATOR MODEL	ISO 5211 FLANGE TYPE	ACTUATOR OVERALL DIMENSIONS (mm)								CENTER BODY (mm)		SHAFT OVERALL DIMENSIONS (mm) (OPTIONAL)								CLEARANCE FOR DISASSEMBLY (mm)			CONTROL COUPLING DIMENSIONS (mm)				SPOOL (mm) (OPTIONAL)			CONTROL PANEL COUPLING DIMENSIONS (mm)						DISPL. (H)	X (NPTF)	WEIGHT (kg)	CENTER OF GRAVITY		
		A	B	C	D	E	G	W	W1	AL	AR	H	L	J	K	K1	M	N	ES	EC	ET	O	P	Q	Q1	J/2	M1	weight	R	S	T	U	V	V1	Xg				Yg	Zg	
CP/5-035-080°/AL MH	F07	810	176	634	97	43	35	220	99	116,5	48,0	19	6,5	98,5	27	24	22	16	70	180	100	50	M8	10,5	13	49,25	70	100	5	80	80	40	M10	10	13	0,5	1/4"	15	188	29	49
CP/5-035-080°/RL MH	F07	810	176	634	97	43	35	220	99	116,5	48,0	19	6,5	98,5	27	24	22	16	70	180	100	50	M8	10,5	13	49,25	70	100	5	80	80	40	M10	10	13	0,5	1/4"	16	188	30	49
CP/5-035-100°/AL MH	F07	809	176	633	117	43	35	220	99	116,5	48,0	19	6,5	98,5	27	24	22	16	70	180	100	50	M8	10,5	13	49,25	70	100	5	80	80	40	M10	10	13	0,7	1/4"	17	190	30	49
CP/5-035-100°/RL MH	F07	809	176	633	117	43	35	220	99	116,5	48,0	19	6,5	98,5	27	24	22	16	70	180	100	50	M8	10,5	13	49,25	70	100	5	80	80	40	M10	10	13	0,7	1/4"	17	191	30	49
CP/5-035-100°/CM MH	F07	809	176	633	117	43	35	220	99	116,5	48,0	19	6,5	98,5	27	24	22	16	70	180	100	50	M8	10,5	13	49,25	70	100	5	80	80	40	M10	10	13	0,7	1/4"	18	189	31	49
CP/5-035-100°/DM MH	F07	809	176	633	117	43	35	220	99	116,5	48,0	19	6,5	98,5	27	24	22	16	70	180	100	50	M8	10,5	13	49,25	70	100	5	80	80	40	M10	10	13	0,7	1/4"	18	189	31	49
CP/5-035-130°/CL MH	F07	812	176	637	144	43	35	220	99	116,5	48,0	19	6,5	98,5	27	24	22	16	70	180	100	50	M8	10,5	13	49,25	70	100	5	80	80	40	M10	10	13	1,2	1/4"	20	201	31	49
CP/5-035-130°/EL MH	F07	812	176	637	144	43	35	220	99	116,5	48,0	19	6,5	98,5	27	24	22	16	70	180	100	50	M8	10,5	13	49,25	70	100	5	80	80	40	M10	10	13	1,2	1/4"	21	201	31	49
CP/5-035-140°/CL MH	F07	812	176	636	154	43	35	220	99	116,5	48,0	19	6,5	98,5	27	24	22	16	70	180	100	50	M8	10,5	13	49,25	70	100	5	80	80	40	M10	10	13	1,3	1/4"	21	208	31	49
CP/5-035-140°/EL MH	F07	812	176	636	154	43	35	220	99	116,5	48,0	19	6,5	98,5	27	24	22	16	70	180	100	50	M8	10,5	13	49,25	70	100	5	80	80	40	M10	10	13	1,3	1/4"	21	208	31	49
CP/5-045-120°/AL MH	F10	956	217	740	136	53	45	380	97	139,0	64,0	28	8	122,5	32	25	32	22	95	227	150	72,1	M10	15	18	61,25	150	7	94,5	100	65	M10	15	18	1,2	1/4"	31	214	37	61	
CP/5-045-120°/RL MH	F10	956	217	740	136	53	45	380	97	139,0	64,0	28	8	122,5	32	25	32	22	95	227	150	72,1	M10	15	18	61,25	150	7	94,5	100	65	M10	15	18	1,2	1/4"	31	214	37	61	
CP/5-045-140°/AL MH	F10	953	217	736	154	53,5	45	380	97	139,0	62,0	28	8	122,5	32	25	32	22	95	227	150	72,1	M10	15	18	61,25	150	7	94,5	100	65	M10	15	18	1,7	1/4"	33	216	38	61	
CP/5-045-140°/RL MH	F10	953	217	736	154	53,5	45	380	97	139,0	62,0	28	8	122,5	32	25	32	22	95	227	150	72,1	M10	15	18	61,25	150	7	94,5	100	65	M10	15	18	1,7	1/4"	33	216	38	61	
CP/5-045-140°/CM MH	F10	953	217	736	154	53,5	45	380	97	139,0	62,0	28	8	122,5	32	25	32	22	95	227	150	72,1	M10	15	18	61,25	150	7	94,5	100	65	M10	15	18	1,7	1/4"	36	215	38	61	
CP/5-045-140°/DM MH	F10	953	217	736	154	53,5	45	380	97	139,0	62,0	28	8	122,5	32	25	32	22	95	227	150	72,1	M10	15	18	61,25	150	7	94,5	100	65	M10	15	18	1,7	1/4"	36	216	38	61	
CP/5-045-180°/CL MH	F10	958	217	741	194	53	45	380	97	139,0	64,0	28	8	122,5	32	25	32	22	95	227	150	72,1	M10	15	18	61,25	150	7	94,5	100	65	M10	15	18	2,8	1/4"	41	234	39	61	
CP/5-045-180°/EL MH	F10	958	217	741	194	53	45	380	97	139,0	64,0	28	8	122,5	32	25	32	22	95	227	150	72,1	M10	15	18	61,25	150	7	94,5	100	65	M10	15	18	2,8	1/4"	42	235	39	61	
CP/5-045-200°/CL MH	F10	960	217	743	217	53	45	380	97	139,0	64,0	28	8	122,5	32	25	32	22	95	227	150	72,1	M10	15	18	61,25	150	7	94,5	100	65	M10	15	18	3,5	1/4"	45	246	39	61	
CP/5-045-200°/EL MH	F10	960	217	743	217	53	45	380	97	139,0	64,0	28	8	122,5	32	25	32	22	95	227	150	72,1	M10	15	18	61,25	150	7	94,5	100	65	M10	15	18	3,5	1/4"	46	246	39	61	