



## TACHTROL® plus Digital Remote Display

Part Number Series  
T77810

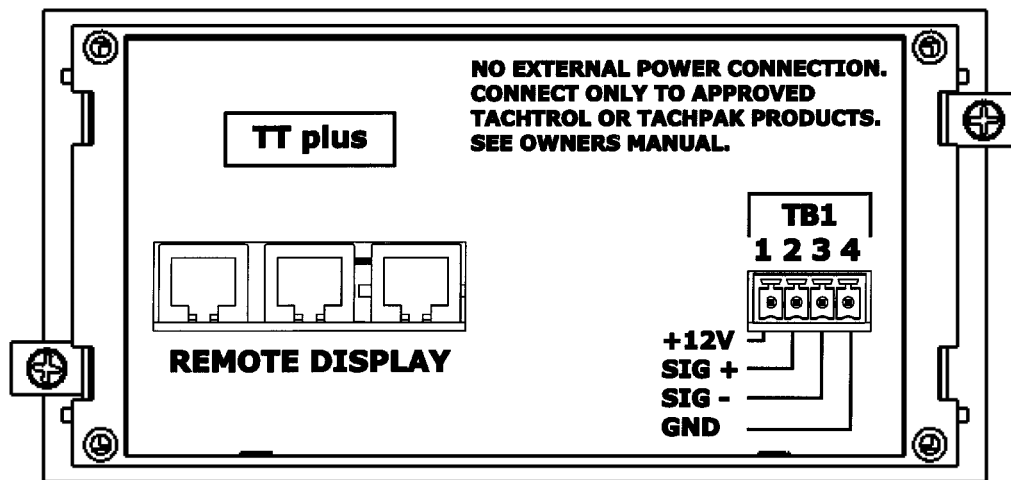
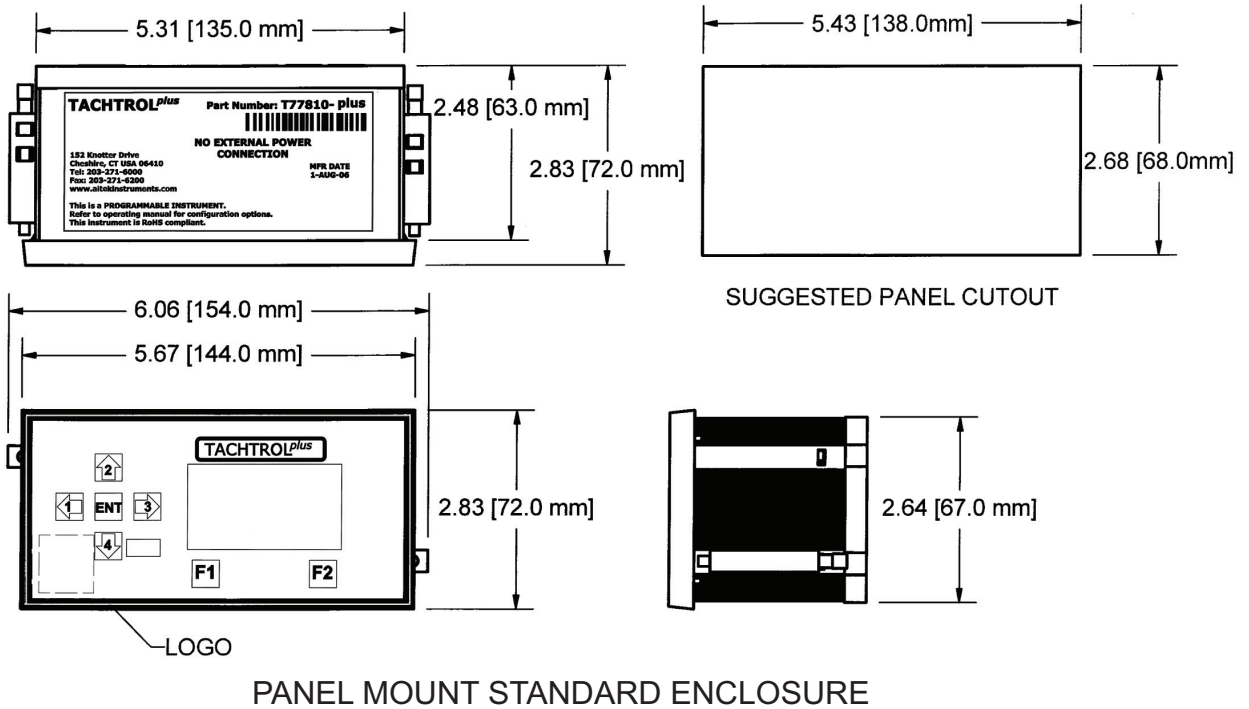
CE  
RoHS

### TACHTROL plus :

- An extension of the **TACHPAK** and **TACHTROL** lines. While this device has no intrinsic tachometer function, it forms a network with **TACHPAK 10 & 30** and **TACHTROL 10 & 30** and can be used as a remote display or programming pendant.
- Serves as a gateway with both **TACHPAK** and **TACHTROL** instruments for secure, remote programming and alarm reset.
- Front panel operation and display is identical to **TACHTROL 10 & 30**
- Each display can be configured to display individual combinations of Channel A, B and Equation.
- Security can be applied to prevent unwanted access in remote locations.
- Acts as a hub for multiplexing up to seven additional displays with a single tachnometer up to 125 feet away using an RJ11 (1:1) type phone cord.
- No external power connection. Connect only to approved **TACHTROL** and **TACHPAK** products.

Ordering P/N	Enclosure	Net Weight (lbs.)
T77810-10	Std. Panel Mount	0.6
T77810-40	NEMA 4X	3.7
T77810-70	Explosion Proof	42.0

*It is the customer's responsibility to determine whether the product is proper for customer's use and application.*

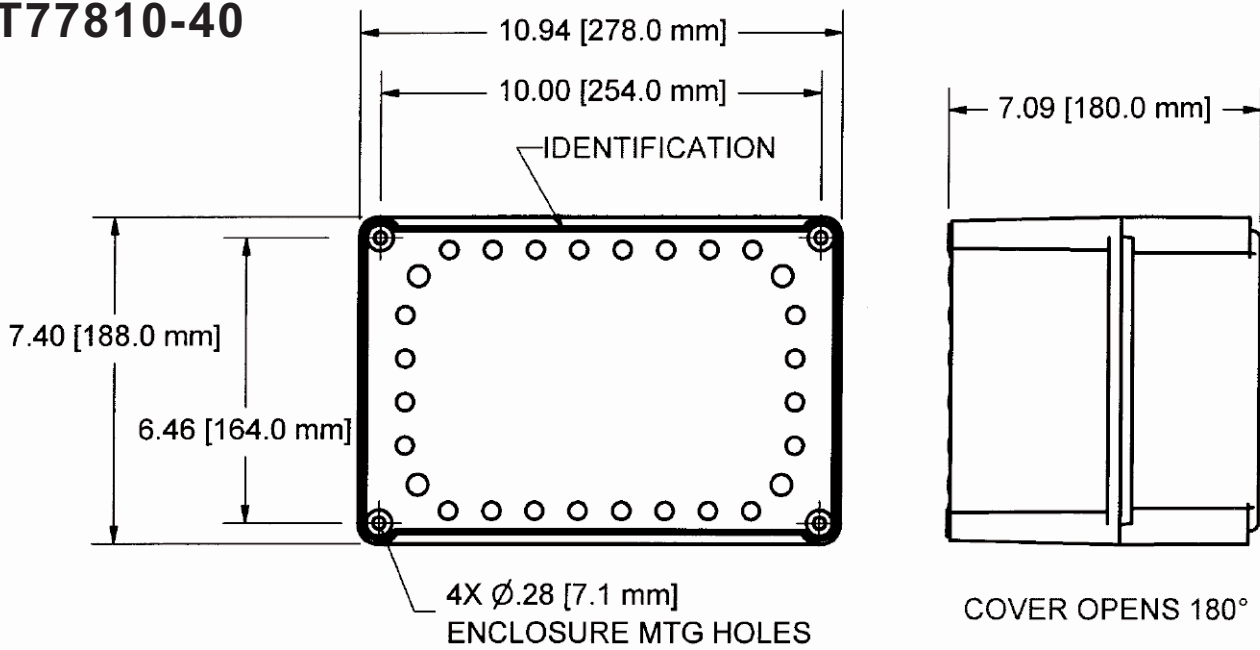


REAR VIEW - CONNECTIONS

Terminal Block	Pin #	TACHTROL <sup>plus</sup>
TB1 Remote Display	1	+12vdc In
	2	Sig +
	3	Sig -
	4	Gnd
Remote Display	Use RJ11 type connector. See TB1 for individual breakout of pins.	

# TACHTROL plus Enclosure Options:

**T77810-40**

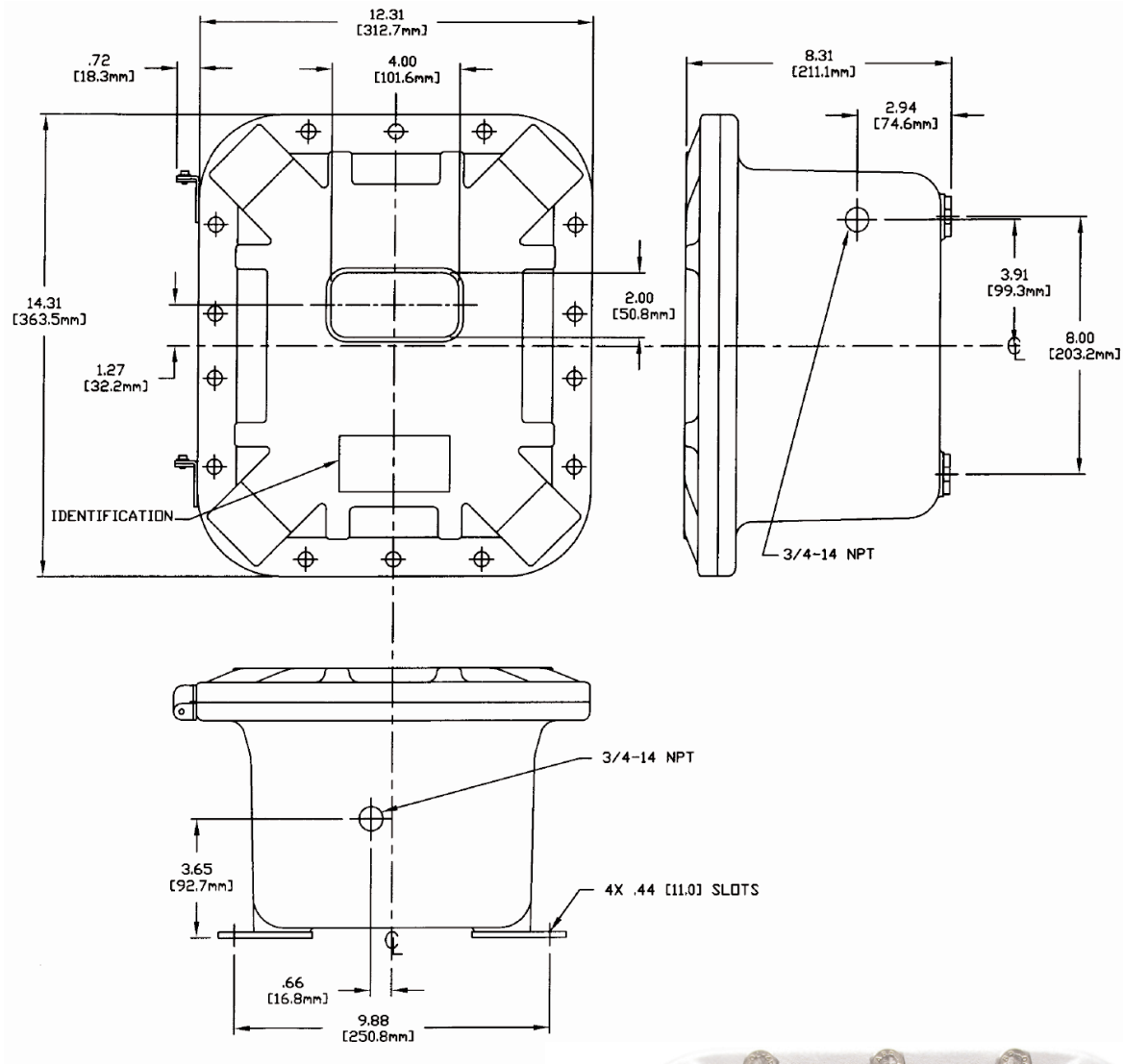


NEMA 4X



# TACHTROL plus Enclosure Options

## T77810-70



### EXPLOSION PROOF

UL/CSA for Hazardous Locations

Class I, Groups B, C & D

Class II, Groups E, F & G

Class III

Also Class I, Zone 1, Groups IIB + H<sub>2</sub>, IIA

### ATEX

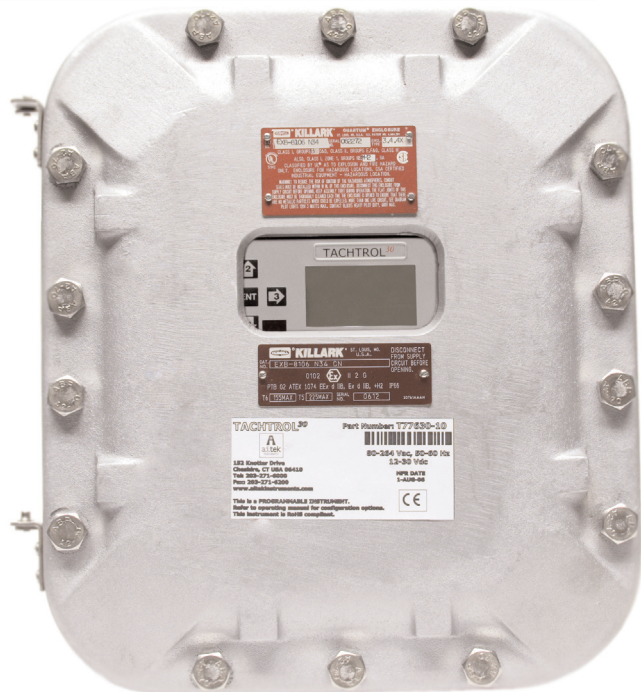
0102 EX II 2 G

For use in Zone 1 Groups

IIA, IIB & IIB+H<sub>2</sub> T6 or T5,

IP66 hazardous locations

Certifications Inside Enclosure  
(Consult Factory For Latest Update)



# NEW GENERATION TACHOMETER ACCESSORIES

## RoHS



### REMOTE

P/N: T776/8 - REMOTE

Used with all TACHTROL 10 & 30 & plus Devices

Net weight: 0.15 lbs

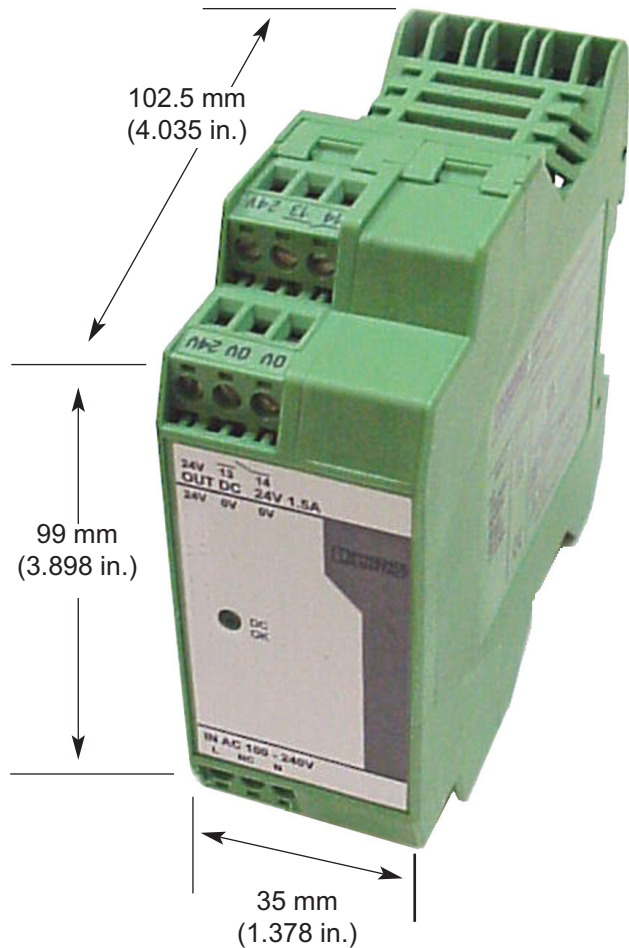
### Optional, Power Supply Kit with T-Bus Connector

P/N: T775/6-PWR SPLY

Optional use with all TACHPAK 10 & 30 & TACHTROL 10 & 30 when more supply power required.

Rating: 100-240 VAC/24 VDC/1.5A

Net weight: 1 lb.





# NEW GENERATION TACHOMETER ACCESSORIES

## RoHS

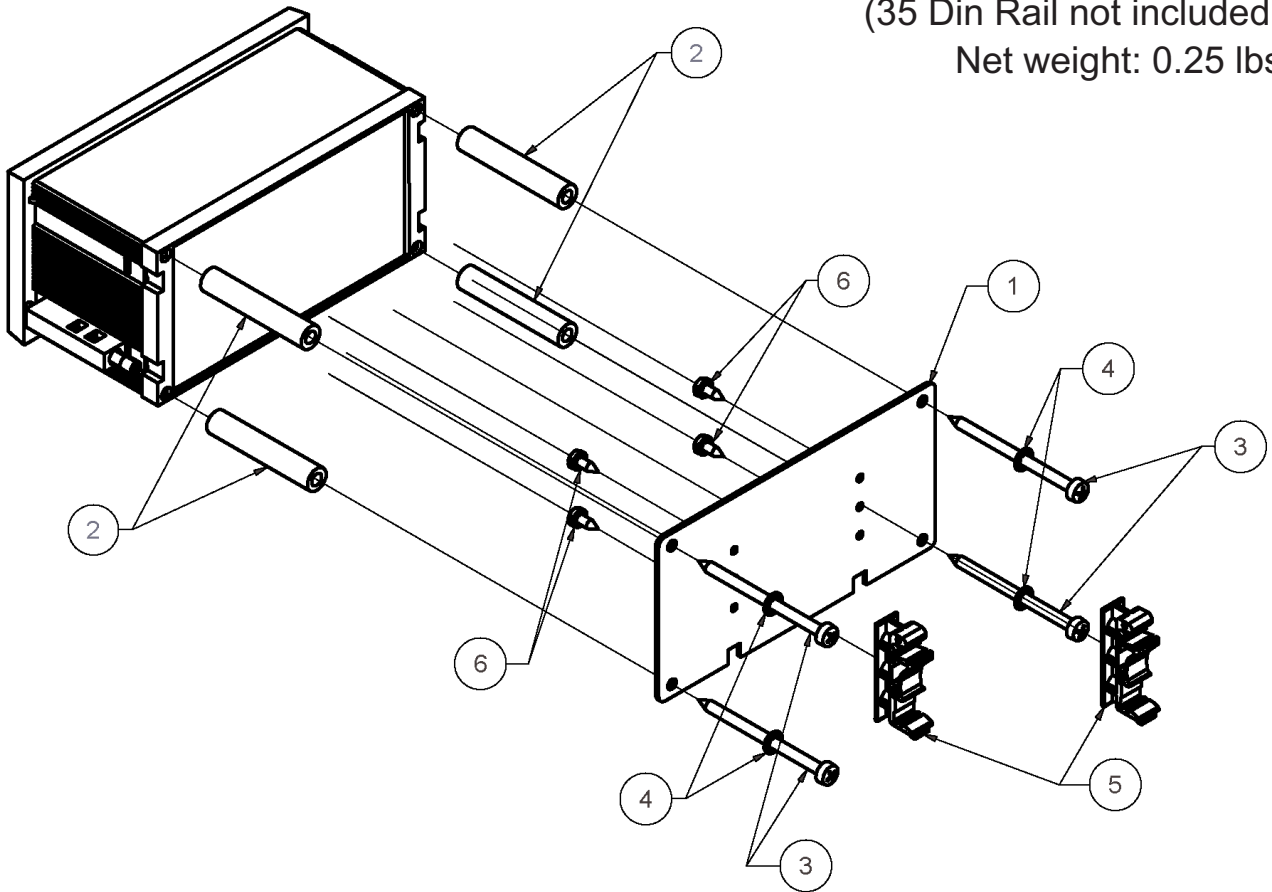
### TACHTROL-TO-DIN RAIL MOUNTING KIT

P/N: 675-0300-001

Used with all TACHTROL 10 & 30 & plus

(35 Din Rail not included)

Net weight: 0.25 lbs



Overall Depth = 5.75 inches

675-0300-001, Tachtrol Mounting Kit			
ITEM	QTY	PARTNUMBER	DESCRIPTION
1	1	150-0201-001	PLATE
2	4	196-0202-002	SPACER, NYLON
3	4	186-0206-001	SCREW, TAPPING #8 X 2.5:, SST
4	4	227-0301-002	WASHER, #8, INTERNAL TOOTH LOCK
5	2	020-0310-001	BRACKET, DIN RAIL CLIP
6	4	186-0209-001	SCREW, SHEET METAL #4-40