

QUANTUM™ ROTARY CONTROL MONITORS

FLAMEPROOF – ATEX/IEC

Rotary control monitors certified to Exd Flameproof and specifically engineered for hazardous environments. Available with aluminum or stainless steel enclosures and a range of solenoid valve options



FEATURES

- Flameproof design meeting a wide range of worldwide approvals.
- Quantum enclosures integrate position sensors and low power solenoid valves into a single unit.
- Solenoid coils integrated within Quantum housing.
- Choice of factory pre-wired 3/2 and 5/2 way Falcon solenoid valves.
- Solenoid valves with a choice of C_v ratings and coil voltage.
- Strong durable Beacon™ offers 360° visual indication in a choice of styles and colors.
- Touch set cams are hand adjustable, spring loaded and self-locking providing quick calibration of position switches and sensors.
- Terminal strips are pre-wired and numbered for ease of use.
- Switch stabilization plate.
- Wide range of switches and sensors.
- Additional conduit for easy field wiring and mounting accessories as standard.
- Standardized mounting pattern for easy adaptation to common bracketry.
- Range of drive shaft options.
- Aluminum enclosures with ultra-low copper content (0.2% maximum) suitable for corrosive environments.
- Rugged stainless steel enclosures.
- IP rated plugs certified where applicable.

TECHNICAL DATA

Agency approvals

Area classification (ATEX/IEC)

2200 series	Ex II 2G Exd IIB +H2 Ex tD A21 IP6X
2600 series	Ex II 2G Exd IIC Ex tD A21 IP6X

Enclosure standards (IEC)

2200/2600 series	IP66/67
------------------	---------

Switches

2200/2600 series	V3 SPDT mechanical switches DPDT mechanical switches V3, slotted and barrel inductive proximity sensors Magnum, SPDT (hermetically sealed proximity type) switches G0 hermetically sealed switches, SPDT (2200 series only)
------------------	---

Enclosures

2200/2600 series	Aluminum Stainless steel
------------------	-----------------------------

Falcon solenoid valves

C _v	Choice of 1.1, 3.5
Materials	Aluminum and stainless steel

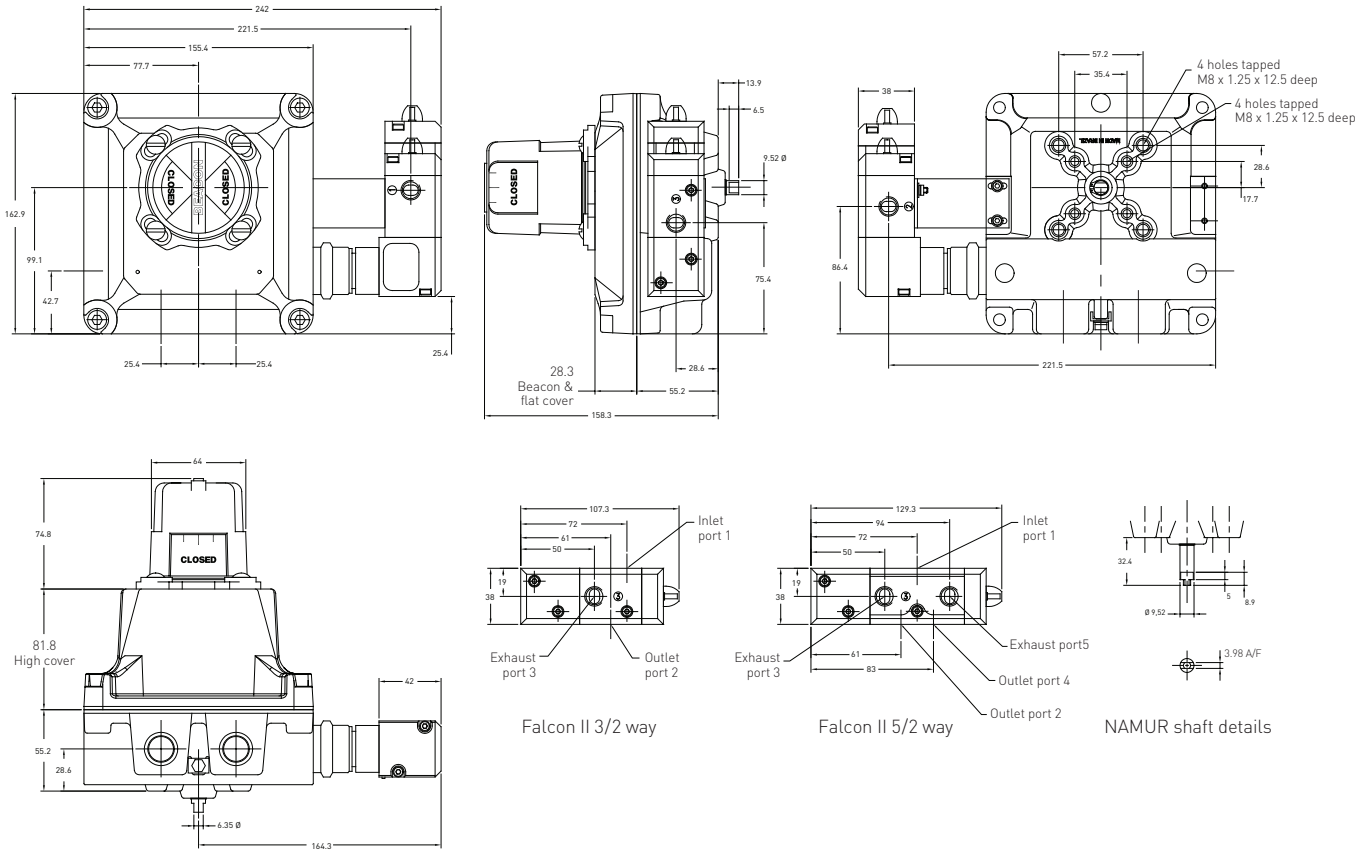
GENERAL APPLICATION

Quantum control monitors combine consistent and accurate valve monitoring with the control of automation process valves using integrated position sensors and low power solenoid valves in a single compact unit.

QUANTUM™ ROTARY CONTROL MONITORS

FLAMEPROOF – ATEX/IEC

2200 SERIES DIMENSIONS



Dimensions in mm, imperial dimensions (inches) in parenthesis

TECHNICAL SPECIFICATIONS

Materials of construction

Enclosure	Aluminum with powder coat finish Stainless steel with electropolished finish
Temp. range	-30°C to +85°C (Flat cover -20°C to +85°C)
Shaft and hardware	Stainless steel
Bushing	PTFE (stainless steel enclosure) Oil impregnated bronze (aluminum enclosure)
Beacon visual indicator	Co-polyester

Drive shaft

Westlock standard	Double-D with 1/4" A/F
NAMUR standard	NAMUR standard VDI/VDE 3845

Available switches

V3 SPDT mechanical switches
DPDT mechanical switches
V3 slotted and barrel inductive proximity sensors
Magnum SPDT (hermetically sealed proximity type) switches
GO hermetically sealed switches, SPDT

SOLENOID VALVES

The Falcon range of solenoid valves allows you to choose the material, voltage, number of ports, number of coils and C_v to best suit your application. See the Falcon II data sheet for more information.



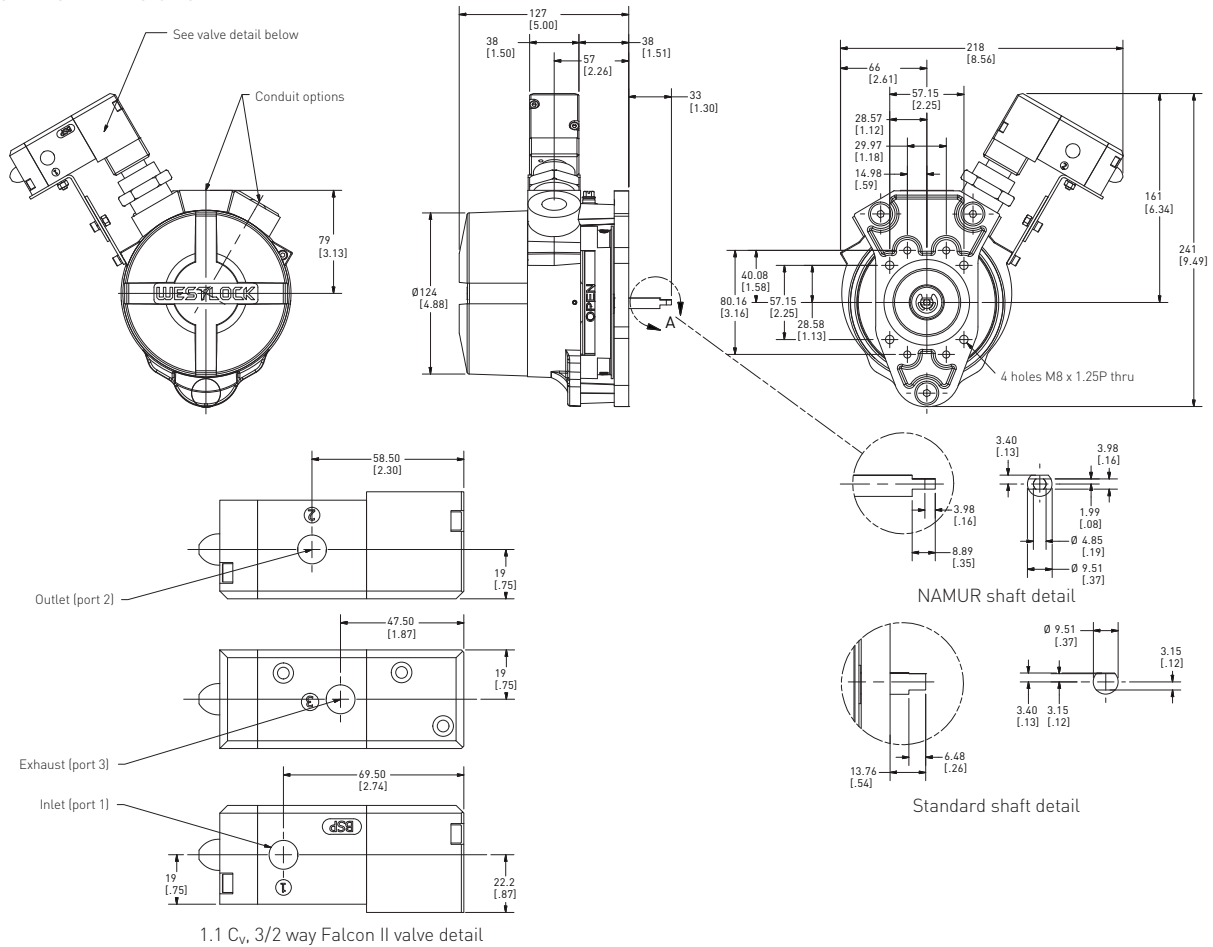
NOTES

1. See selection guide for standard conduit entries
2. See switches & sensors data sheet for further information
3. Please consult your sales office for any other requirements

QUANTUM™ ROTARY CONTROL MONITORS

FLAMEPROOF – ATEX/IEC

2600 SERIES DIMENSIONS



Dimensions in mm, imperial dimensions (inches) in parenthesis

TECHNICAL SPECIFICATIONS

Materials of construction

Enclosure	Aluminum with powder coat finish Stainless steel with electropolished finish
Temp. range	-60°C to +110°C
Shaft and hardware	Stainless steel with electropolished finish
Bushing	PTFE (stainless steel enclosure) Oil impregnated bronze (aluminum enclosure)
Beacon visual indicator	Co-polyester

Drive shaft

Westlock standard	Double-D with ¼" A/F
NAMUR standard	NAMUR standard VDI/VDE 3845

Available switches

V3 SPDT mechanical switches
DPDT mechanical switches
V3 slotted and barrel inductive proximity sensors
Magnum SPDT (hermetically sealed proximity type) switches

NOTES

1. See selection guide for standard conduit entries
2. See switches & sensors data sheet for further information
3. Please consult your sales office for any other requirements

SOLENOID VALVES

The Falcon range of solenoid valves allows you to choose the material, voltage, number of ports, number of coils and C_v to best suit your application. See the Falcon II data sheet for more information.



QUANTUM™ FLAMEPROOF ROTARY CONTROL MONITORS

2200/2600 SERIES SELECTION GUIDE

Housing														
22	2200 with flanged lid													
26	2600 with screw lid													
Cover style														
4	With Beacon visual indication													
6	No visual indication													
Switch type														
3	GO switch SPDT (2200 series only)						7	Inductive sensor						
5	Microswitch SPDT contacts						9	Magnum proximity switch						
6	Microswitch DPDT contacts						0	No switches fitted						
Material														
A	Aluminum													
S	Stainless steel													
Beacon type and color														
BY	Black/Yellow						B1	BM3-1 pattern 90°						
RU	Black/yellow (Russian) (2600 only)						B3	BM3-3 pattern 90°						
AR	ANSI Red/White						B5	BM3-5 pattern 90°						
GR	Green/Red						B7	BM3-7 pattern 180°						
00	No Beacon fitted						B9	BM3-9 pattern 180°						
Drive shaft type														
S	Westlock standard – ¼" A/F (6.32 mm)													
N	NAMUR standard shaft – VDI/VDE 3845													
*	Non-standard material and build (consult sales office)													
Solenoid body material														
A	Anodized aluminum													
E	Stainless steel													
Solenoid coil voltage														
C	24 V DC						H	90-120 V AC						
G	90-120 V DC						J	220-240 V AC						
Solenoid valve specification														
(¼" BSP entry; 1.1 C_v)						(¼" NPT entry; 1.1 C_v)								
K	3/2 way - fail closed						U	3/2 way - fail closed						
L	3/2 way - fail open						V	3/2 way - fail open						
Q	5/2 way - fail closed						1	5/2 way - fail closed						
Switch/sensor quantity														
0	No switch/sensor fitted													
1	One switch/sensor													
2	Two switches/sensors													
3	Three switches/sensors (consult sales office for 2200 series)													
4	Four switches/sensors (consult sales office for 2200 series)													
Conduit entries supplied														
2	Two entries – all enclosures													
3	Three entries – (consult sales office)													
Unit specification														
AAA	Standard build- M20 conduit entries													
ABM	Gold plated switches													
ADZ	¾" NPT conduit entries													
BEI	Rhodium plated switches													
DAV	M25 conduit entries													
FAN	½" NPT conduit entries													
***	Non-standard material (consult sales office)													
Certification														
A	ATEX													
I	IECEX													
*	Other options (consult sales office)													
Revision														
R*	Internal revision #													
26	4	9	A	BY	N	A	C	K	2	2	AAA	A	R2	= Model number 2649ABYNACK22AAA-AR2

NOTES

1. Please contact your sales office for guidance on selecting the best possible combination for your control and monitoring requirements.
2. See Hazardous area classification technical bulletin for further information on global standards.



www.westlockcontrols.com

Westlock. We reserve the right to change designs and specifications without notice.