

## 1540 Side Mounted Pneumatic Level Switch

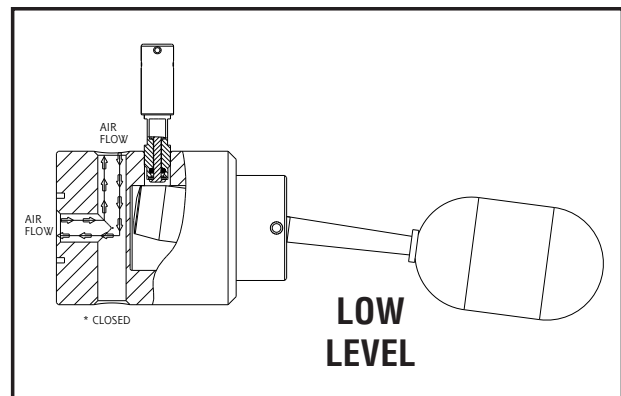
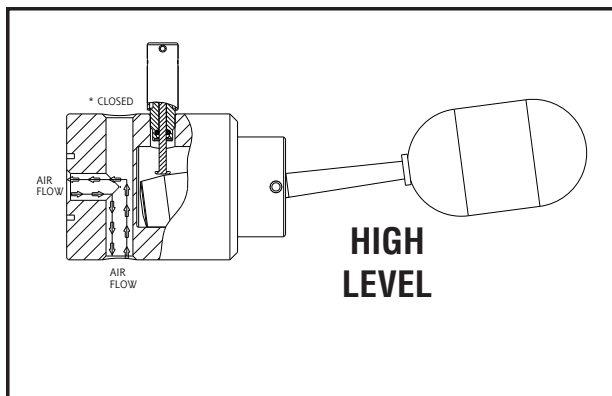
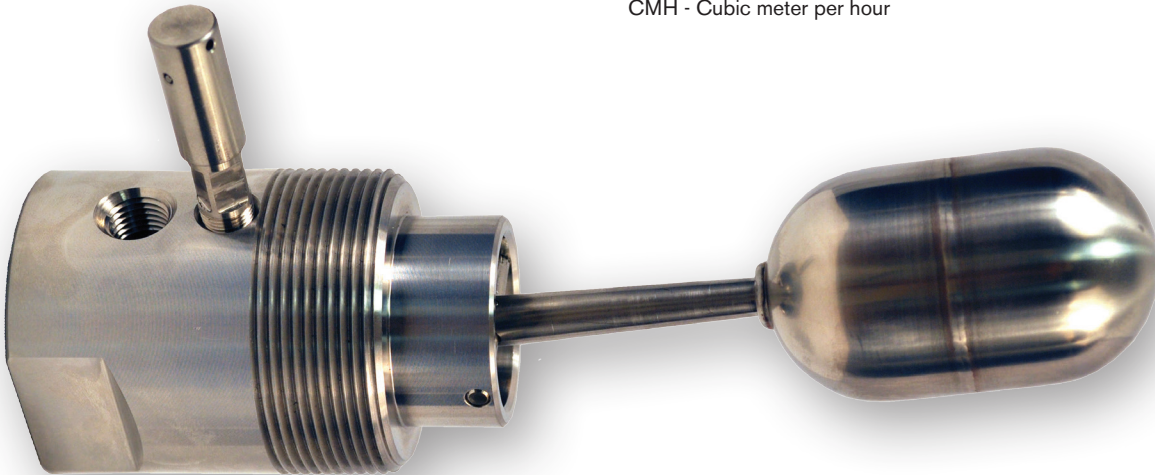
**1540** is a horizontally mounted, float-operated level switch suitable for plant and OEM applications where pneumatic valve operation is required to signal presence or absence of liquid at a discrete level. The float arm moves a magnet which in turn moves a shuttle that either blocks or allows pilot pressure to pass and operate ancillary equipment. Actuation (deactuation) can be reversed by rotating the unit 180 degrees or switching inlet connections (see below).

The supply media must be filtered and oil free. Air is the usual media; however, any dry, filtered gas can be used.

### Product Specifications

Orientation	Horizontal mount only
Body Material	316 Stainless Steel
Connection Size	2" NPT(M)
I/O Connection	1/4" NPT(F)
Pilot (supply) Pressure	0-30 psi (0-2 BAR) or 0-80 psi (0-5.5 BAR)
Flow Rate @ Max Pilot Pressure	60 SCFH (1.7 CMH)
Maximum Process Pressure	1500 psi (103 BAR)
Process Temperature Range	-40 to 400°F (-40 to 204°C)
Minimum Specific Gravity	0.65
Weight	3.5 lbs. (2 kg)
Rostechnadzor (RTN) Standard	
Certificate Available upon request	

SCFH - Standard cubic feet per hour  
CMH - Cubic meter per hour



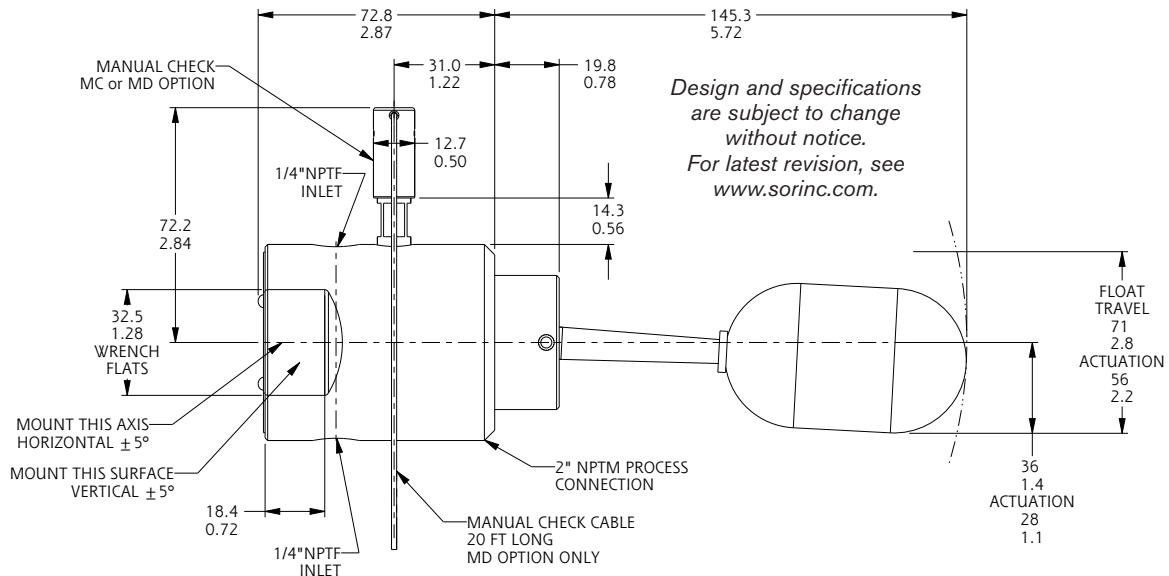
# 1540 Side Mounted Pneumatic Level Switch

## Dimensions

The drawings & illustrations below show the manual check (MC or MD) option.

Linear = mm/inches

Drawing 0091448



## How to Order

### Model Number System

1540 - C - G - 2A - C - J0 - PS - MC

## Switches 1

Pilot (Supply) Pressure: 0-30 psi (0-2 BAR)  
Flow Rate @ 30 psi Supply: 60 SCFH (1.7 CMH)

Pilot (Supply) Pressure: 0-80 psi (0-5.5 BAR)  
Flow Rate @ 80 psi Supply: 60 SCFH (1.7 CMH)

J0

J1

## 2 Optional Accessories

Insert accessory designator(s) as needed

**BB** Wetted parts are cleaned for industrial oxygen service

**CV** Canadian Registration Number (CRN). Consult the factory for applicable pressure and additional information.

**MC\*** Manual check accessory (uses Viton GLT o-rings)

**MD\*** Manual check accessory (uses Viton GLT o-rings) with 20' remote cable

**MR** Mill Test Report

**NC** NACE construction - MR 01-75 / ISO 15156 2003. Available only with 316SS materials of construction

**PP** Tag, fiber. Attached with plastic wire to housing. Stamped with customer specified tagging information.

**RR** Tag, stainless steel. (Attached with stainless steel wire to housing. Stamped with customer specified tagging information. 2 lines, 18 characters and spaces per line.)

**TT** Stainless steel nameplate permanently attached to housing. Stamped with customer specified tagging information.

**VV** Fungicidal varnish. Covers exterior except working parts.

\*Manufacturer limits on Viton GLT are -40 to 400°F.



1540 C G 2A C J0 PS MC

← Model Number

# 1540 Side Mounted Pneumatic Level Switch

## Test Certificates

	Certificates	C1	C3	C4	C7	B7
1540 Pneumatic Level Switch	Calibration	◆				◆
	Inspection Report		◆			◆
	Compliance / Conformance			◆		◆
	QA Test Report				◆	

## Replacement Parts

Designator	Description
3130040	20' Remote Cable with two cable crimps**
3100152	Float
9227012	Float & Arm Assembly
9227024	Manual Check Accessory (uses Viton GLT O-ring) (MC)**
9227025	Manual Check Accessory with remote 20' cable (MD)**

\*\*Unit must have originally been supplied with MC or MD option.

## Limited Warranty

SOR® agrees to repair or replace any switch found to be defective in material or workmanship within five years from date of shipment. The limited warranty is valid only if the switch was installed in accordance with published factory installation instructions, operated within the design limitations stated on the nameplate, and returned to the factory for inspection, freight prepaid, within the warranty period. Contact the factory for return authorization. No claim for labor or consequential damages will be allowed.



MEASUREMENT AND CONTROL

**SOR Inc.** | Lenexa, KS USA | 913-888-2630 | Fax 913-888-0767 | [SORInc.com](http://SORInc.com)

#### **REGIONAL OFFICES**

---

##### **China**

SOR China | Beijing, China  
+86 (10) 5820 8767 | Fax +86 (10) 58 20 8770

##### **Middle East**

SOR Measurement & Control Equipment Trading DMCC | Dubai, UAE  
+971 4 278 9632 | Fax +971 4 279 8399