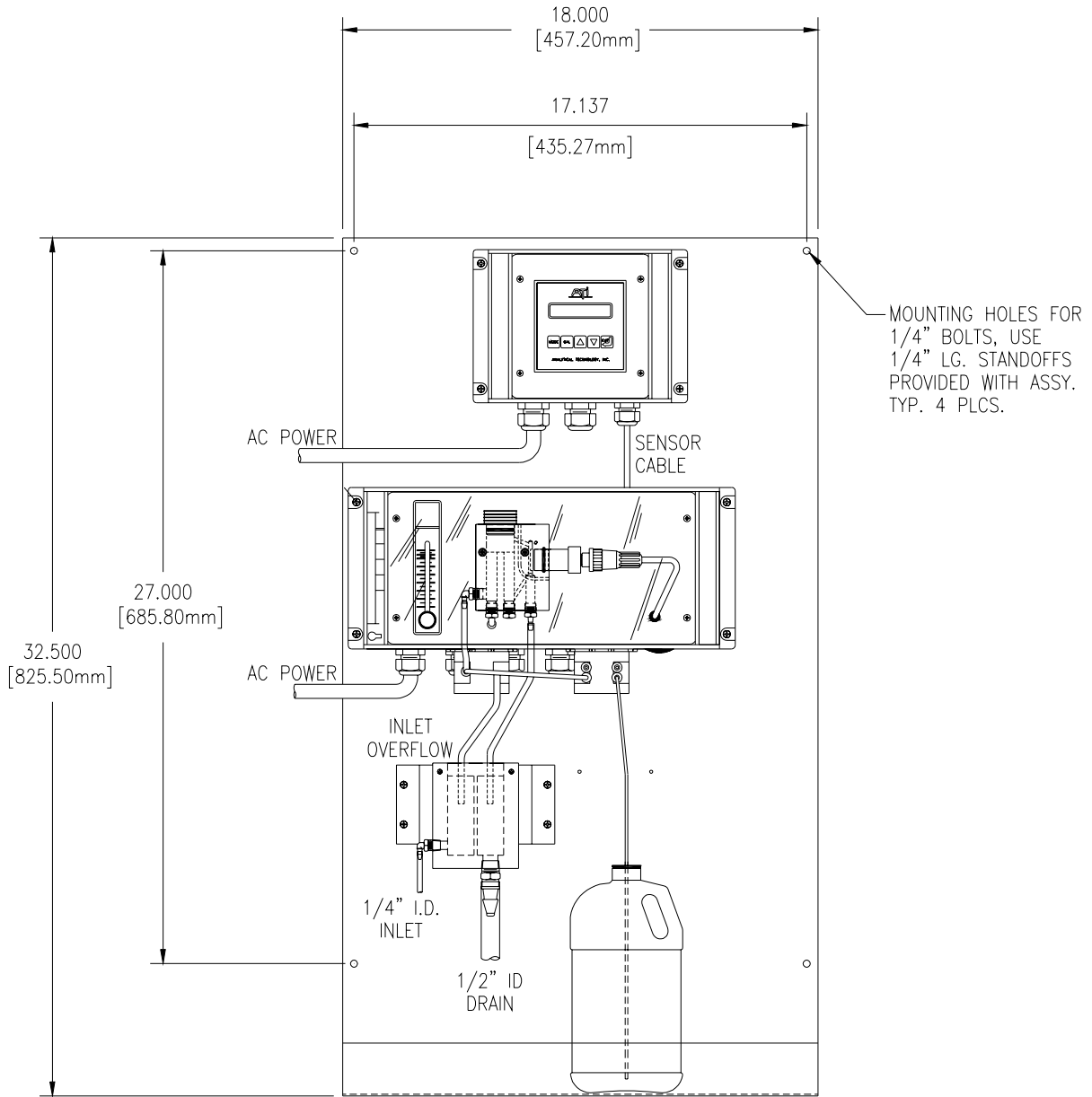
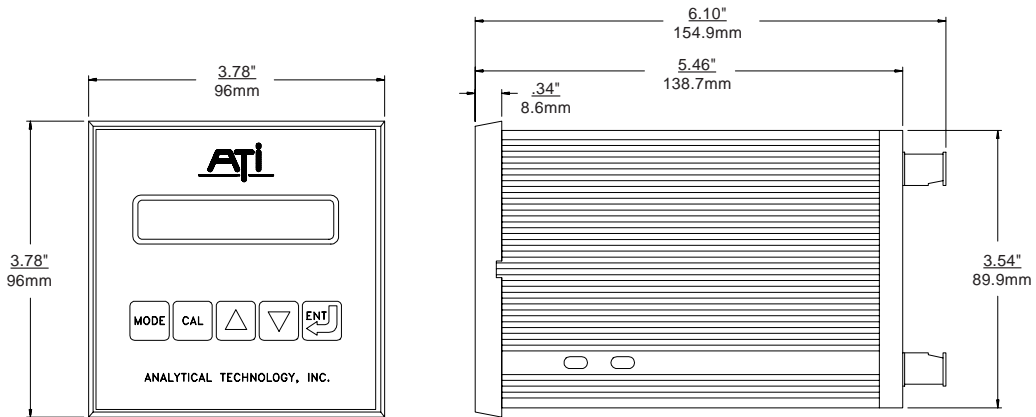


**WALL MOUNT SYSTEM CONFIGURATION**



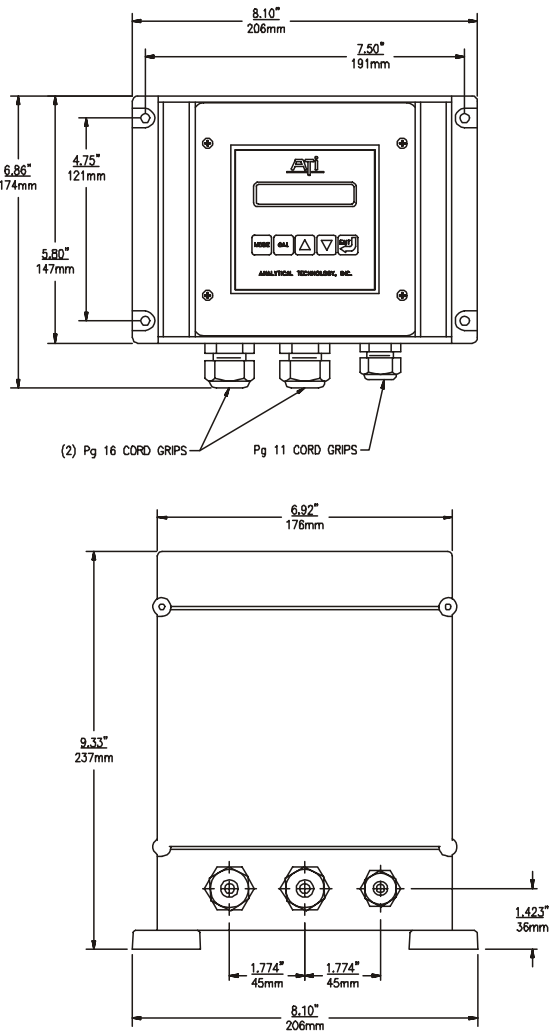
ATI-0566

**PANEL MOUNT VERSION**



ATI-0124

**NEMA-4X VERSION**

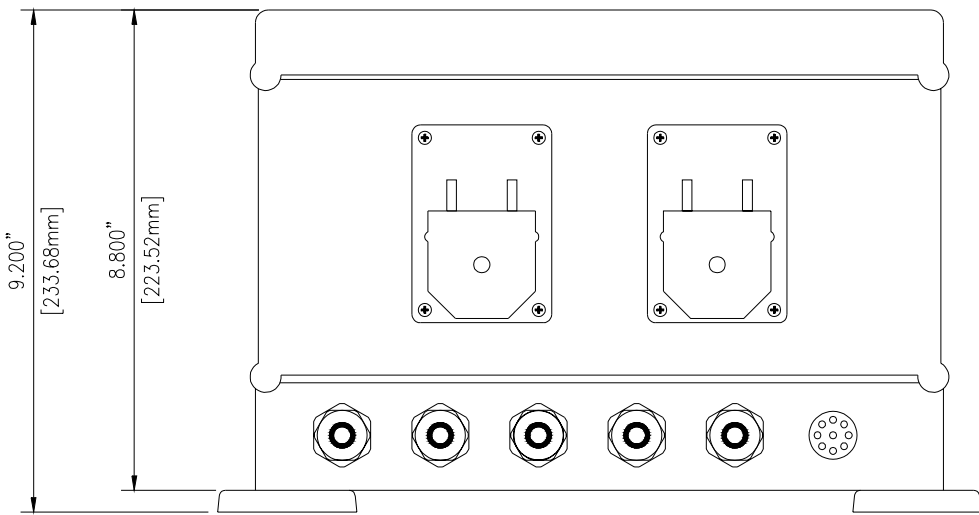
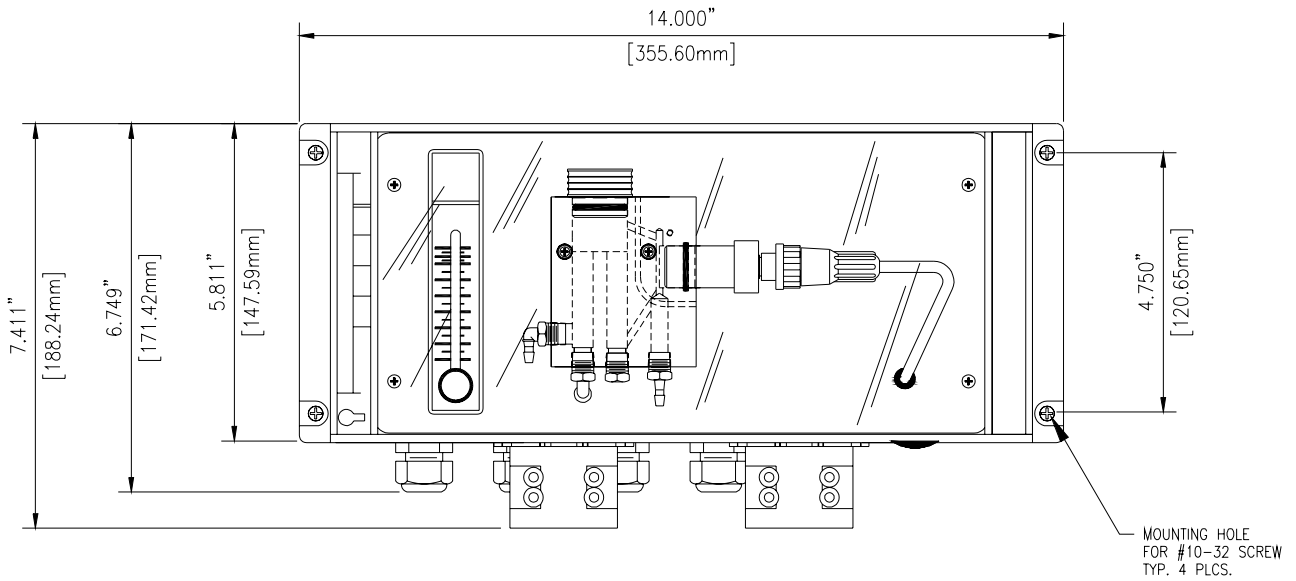


ATI-010

**NOTES**

- 1) Panel Mount Enclosure Material:  
Aluminum, Black Anodized
- 2) Nema-4X Enclosure Material:  
Base: Molded ABS, tan in color  
Cover: Clear Lexan, tan in color
- 3) Nema-4X Rating:  
NEMA rated types 4,4X  
IEC 529 rated IP66  
flammability rating UL94 HB

**CHEMISTRY ENCLOSURE**



**ENCLOSURE MATERIAL:**

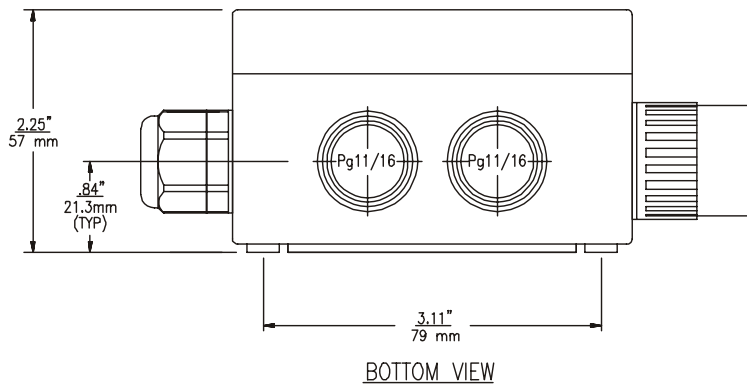
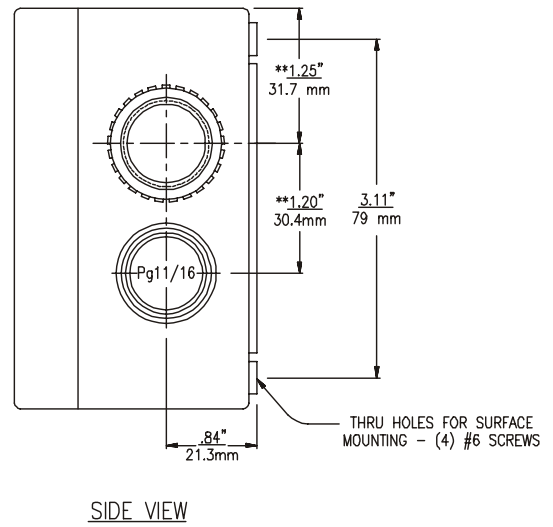
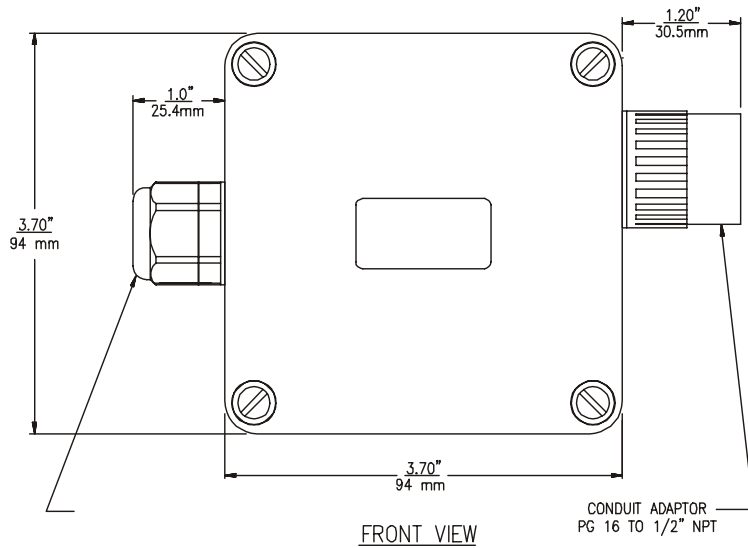
Base: Molded ABS, tan in color  
Cover: Clear Lexan, w/dual hinge

**RATINGS:**

Nema Rated 4, 4X  
IEC 529 rated IP66  
Flammability Rating UL94 HB

ATI-0549

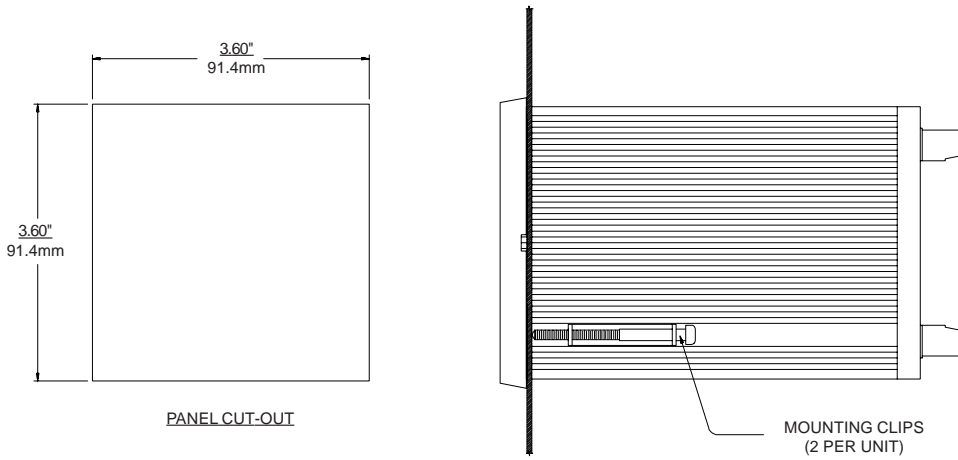
**JUNCTION BOX - (00-0048)**



Enclosure Mat:  
Polystyrene, Grey in color

Ratings:  
Nema 4x, IP66

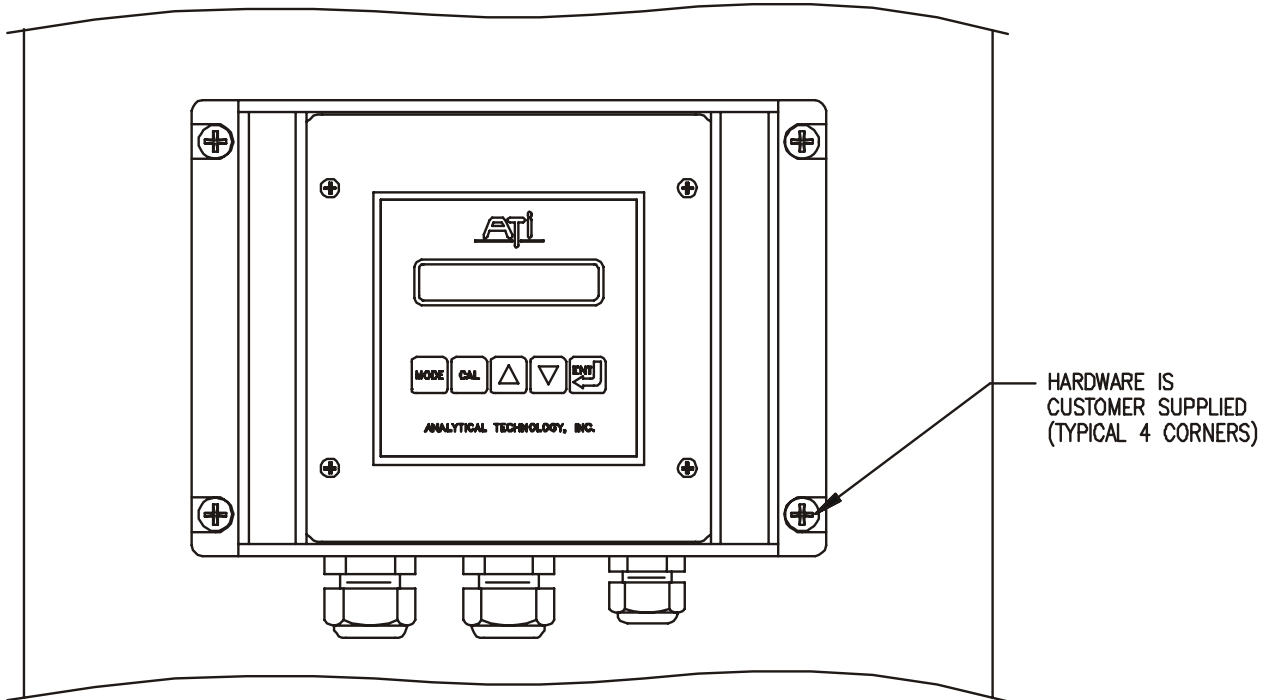
**PANEL MOUNT**



ATI-0125

- 1) Front of panel is NEMA 1, general purpose only.
- 2) Panel mounting clips supplied with monitor.

**WALL MOUNT - NEMA-4X**

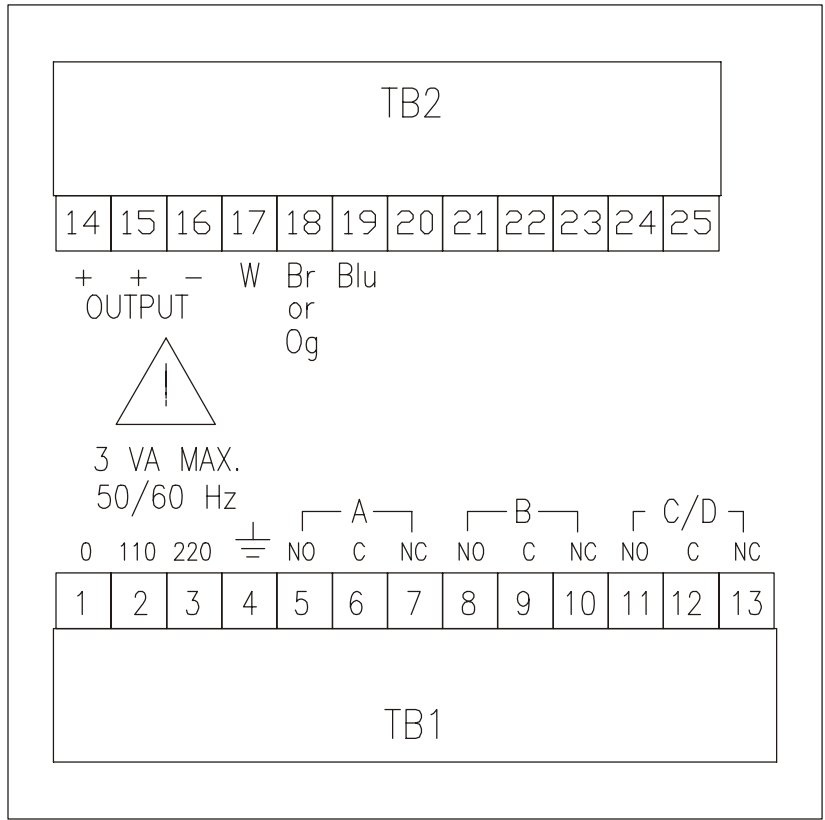


ATI-0126

- 1) Wall mounting requires customer supplied screws or bolts.

**A15/81 DISSOLVED SULFIDE MONITOR**

A15/81 DISSOLVED SULFIDE MONITOR  
(BACK VIEW)

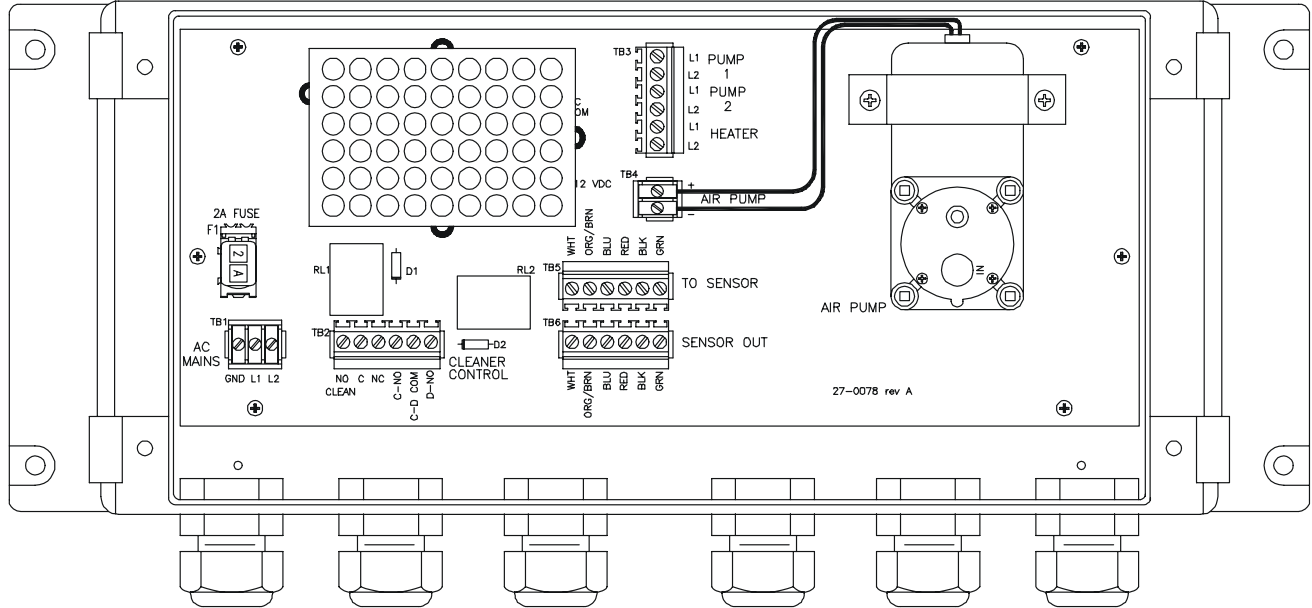


ATI-0385

<p>1: AC POWER - Neutral                  2: AC POWER - 110V - HOT                  3: AC POWER - 220V - HOT                  4: AC - GROUND                  5: RELAY A - Normally Open                  6: RELAY A - Common                  7: RELAY A - Normally Closed                  8: RELAY B - Normally Open                  9: RELAY B - Common                  10: RELAY B - Normally Closed                  11: CLEANER RELAY C - Normally Open                  12: RELAY C/D - Common                  13: ALARM RELAY D - Normally Closed</p>	<p>14: mA OUTPUT (+)                  15: Unused                  16: mA OUTPUT (-)                  17: Sensor - White                  18: Sensor - Brown or Orange                  19: Sensor - Blue                  20: Unused                  21: Unused                  22: Unused                  23: Unused                  24: Unused                  25: Unused</p>
---	--

**AC POWER WIRING CHEMISTRY ENCLOSURE w/ RELAYS (CUSTOMER CONNECTIONS)**

LOCATED INSIDE ENCLOSURE



ATI-0550

**MONITOR w/ JUNCTION BOX WIRING**

