

FEATURES

- Explosionproof operator for use in potentially explosive atmospheres according to ATEX-Directive 2014/34/EU
EC type examination certificate no.: **LCIE 10 ATEX 3043X**
IECEX Certificate of Conformity no.: **IECEX LCI 10.0010X**
- Compliance with the Essential Health and Safety Requirements has been assured by compliance with the International and European Standards IEC and EN: 60079-0, 60079-1 and 60079-31
- Easy electrical installation by means of a screw terminal coil
- Enclosure provided with a 1/2 NPT threaded entry hole for a broad range of cable entries
- Ingress protection degree IP67 - NEMA 4/4X
- A wide range of valves can be supplied with the operator

CONSTRUCTION

Solenoid enclosure	LPKF WSLPKF	Aluminium, cataphoresis black painting Stainless steel (AISI 316L)
Bonnet	LPKF WSLPKF	Stainless steel Stainless steel (AISI 316L)
Cover screws		Stainless steel
Core, core tube and plugnut		Stainless steel
Seals		VMQ
Upper disc		FPM
Lower disc		NBR
Nameplate		Stainless steel
Coil connection		Embedded screw terminals
Safety code		II2G Ex d IIB+H2 Gb T6...T4 II2D Ex tb IIIC Db T85°C...T135°C IP66/IP67

ELECTRICAL CHARACTERISTICS

Standard voltages	DC (=) : 24V - 48V AC (~) : 24V - 48V - 115V - 230V / 50 Hz
--------------------------	--

TEMPERATURE CLASSIFICATION TABLES

AC solenoids (-)							DC solenoids (=)						
Pn (watt)	solenoid size			maximum ambient °C ^{(1) (5)}			Pn (watt)	solenoid size			maximum ambient °C ^{(1) (5)}		
	surface temperature			surface temperature				surface temperature			surface temperature		
		M6		T6 85°C	T5 100°C	T4 135°C			M6		T6 85°C	T5 100°C	T4 135°C
insulation class F (155°C) 100% E.D.							insulation class F (155°C) 100% E.D.						
-	-	-	-	-	-	-	0,5 ⁽³⁾	•	60	-	-	-	-
2,4 ^{(2) (4)}	•		40	65	80	-	2,1 ⁽⁴⁾	•	40	-	80	-	-

Check the wattage compatibility with the product selected.

⁽¹⁾ **The minimum allowable ambient temperature is -40°C for the operator.** Actual temperature range can be limited depending on valve operation limits.

⁽²⁾ AC (-): rectified coil construction.

⁽³⁾ 24 V DC value.

⁽⁴⁾ Maximum cold wattage.

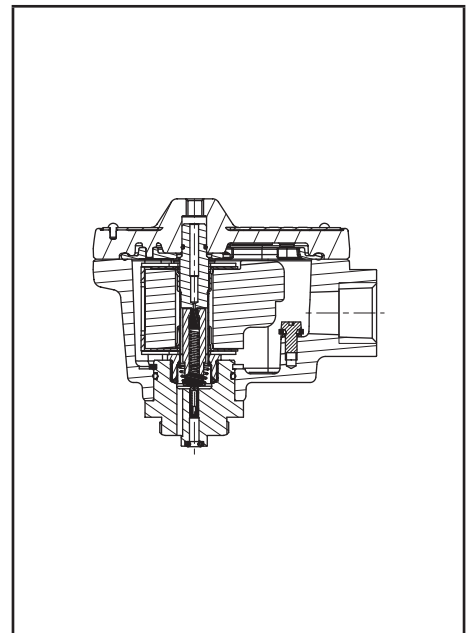
⁽⁵⁾ For the layout of the control circuit, see the installation and maintenance instructions at: www.asco.com

CONNECTIONS

- Any IECEx-ATEX approved cable entry device can be fitted in the 1/2" NPT threaded entry hole
- Internal and external earthing connection
- The operator can be rotated through 360° to select the most favourable position for cable entry

OPTIONS

- Brass nickel plated cable gland



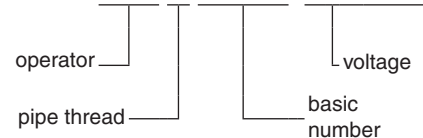
ORDERING INFORMATION

A valve supplied with the explosionproof operator will be identified with prefix LPKF or WSLPKF before the catalogue number.

Example: **LPKF** G 551B305 24V/DC

LPKF G 552A301 230V/AC

WSLPKF G 553A318 230V/AC

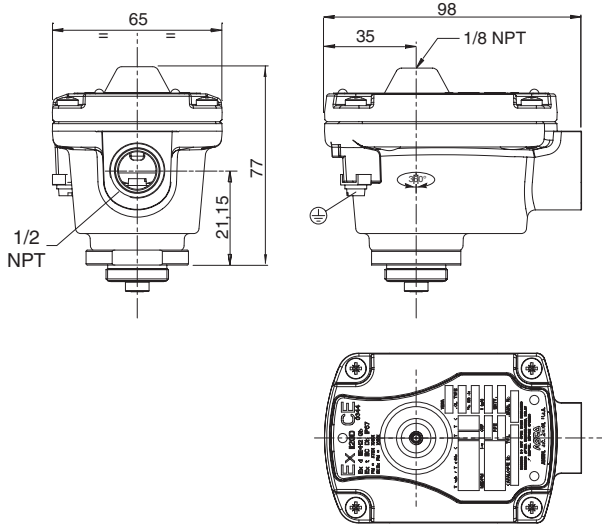


DIMENSIONS (mm), WEIGHT (kg)



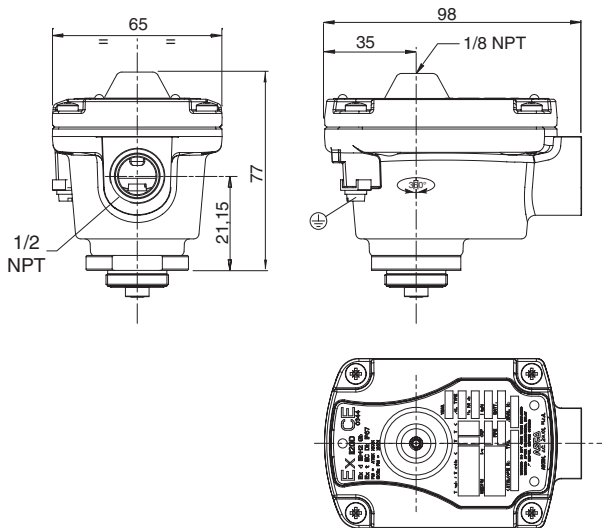
TYPE LPKF

Prefix "LPKF" Solenoid
 Aluminium, epoxy coated
 IEC, EN: 60079-1, 60079-31
 II2G Ex d IIB+H2 Gb T6...T4 - II2D Ex tb IIIC Db IP66/IP67



TYPE WSLPKF

Prefix "WSLPKF" Solenoid
 Stainless steel, epoxy coated
 IEC, EN: 60079-1, 60079-31
 II2G Ex d IIB+H2 Gb T6...T4 - II2D Ex tb IIIC Db IP66/IP67



prefix	weight
LPKF	0,55
WSLPKF	1,16