

QUANTUM™ ROTARY CONTROL MONITORS

INTRINSICALLY SAFE – ATEX/IEC

Fully integrated rotary valve control monitors that are certified to intrinsically safe standards. They offer a choice of enclosure materials, switching options and single or dual coil Falcon solenoid valves



FEATURES

- Intrinsically Safe design meeting a wide range of worldwide approvals.
- Quantum enclosures integrate position sensors and low power solenoid valves into a single unit.
- Solenoid coils integrated within Quantum housing.
- Choice of factory pre-wired 3/2 and 5/2 way Falcon solenoid valves.
- Inductive NAMUR sensor rated for IS applications.
- Magnum switches with rhodium contacts for longer contact life.
- Strong durable Beacon™ offers 360° visual indication in a choice of styles and colors.
- Touch set cams are hand adjustable, spring loaded and self-locking providing quick calibration of position switches and sensors.
- Terminal strips are pre-wired and numbered for ease of use.
- Additional conduit for easy field wiring and mounting accessories as standard.
- Wide range of switches and sensors.
- Standardized mounting pattern for easy adaptation to common bracketry.
- Range of drive shaft options.
- Engineered resin enclosure is robust, lightweight and provides exceptional chemical, UV and impact resistance.
- Aluminum enclosures with ultra-low copper content (0.2% maximum) suitable for corrosive environments.
- Rugged stainless steel option.
- IP rated plugs certified where applicable.

TECHNICAL DATA

Agency approvals

Area classification (ATEX/IEC)
3600/8600 series

Ex II *GD
Exia II* T* G*
Ex t IIIC T135°C Da IP6X

Enclosure standards (IEC)
3600/8600 series

Pepperl + Fuchs inductive NAMUR sensors
V3 SPDT mechanical switches, with gold-plated contacts
Magnum, SPDT (hermetically sealed proximity type)
switches with rhodium contacts

Enclosures

3600/8600 series

Engineered resin
Aluminum
Stainless steel

Falcon solenoid valves

C_v
Materials

Choice of 1.1, 3.5
Aluminum and stainless steel

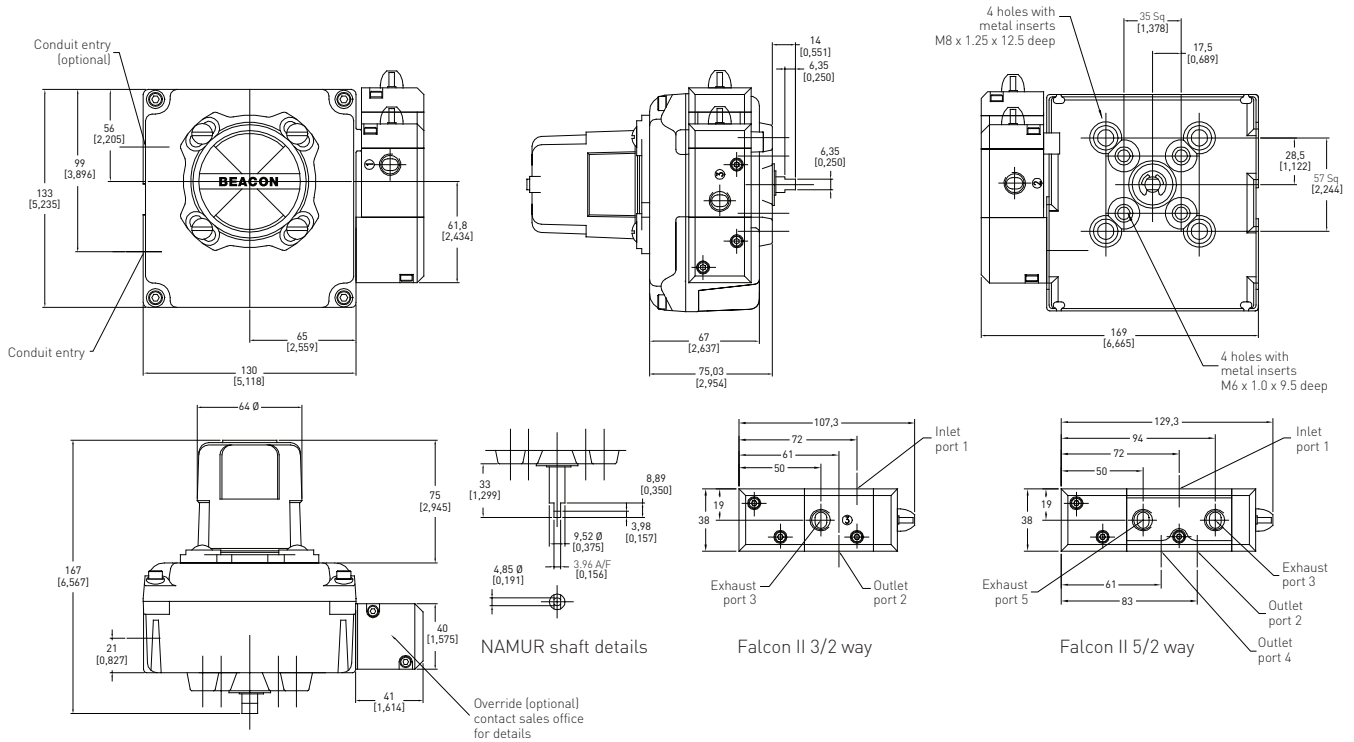
GENERAL APPLICATION

Quantum control monitors combine consistent and accurate valve monitoring with the control of automation process valves using integrated position sensors and low power solenoid valves in a single compact unit.

QUANTUM™ ROTARY CONTROL MONITORS

INTRINSICALLY SAFE – ATEX/IEC

3600 SERIES RESIN ENCLOSURE DIMENSIONS



Dimensions in mm, imperial dimensions (inches) in parenthesis

TECHNICAL SPECIFICATIONS

Materials of construction

Enclosure	Engineered resin
Shaft and hardware	Stainless steel
Bushing	Nylon
Beacon visual indicator	Co-polyester

Drive shaft

Westlock standard	Double-D with 1/4" A/F
NAMUR standard	NAMUR standard VDI/VDE 3845

Available switches

Pepperl + Fuchs model NJ2-V3-N
V3 SPDT mechanical switches, with gold-plated contacts
Magnum, SPDT (hermetically sealed proximity type) switches with rhodium contacts

SOLENOID VALVES

The Falcon range of solenoid valves allows you to choose the material, voltage, number of ports, number of coils and Cv to best suit your application. See the Falcon II data sheet for more information.

NOTES

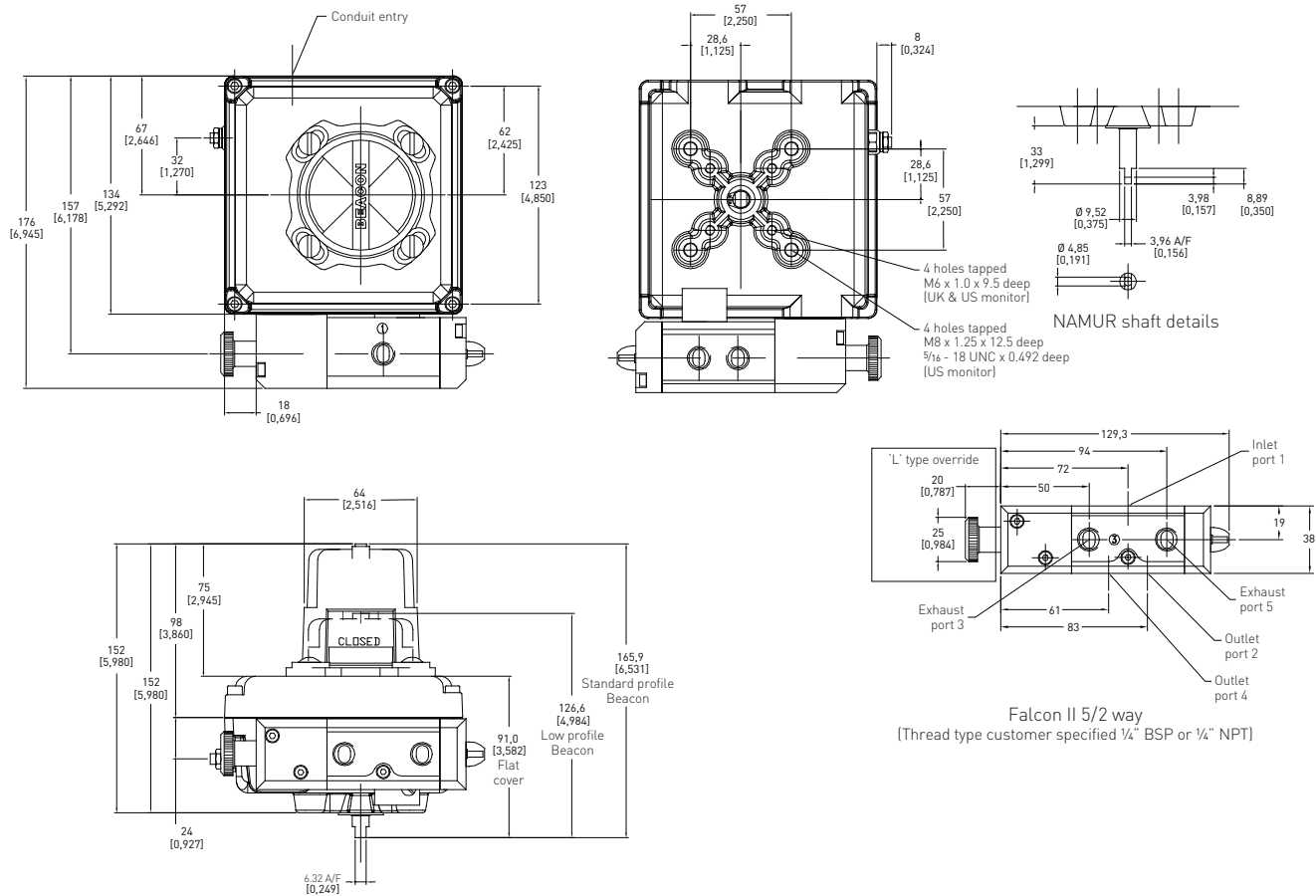
1. See selection guide for standard conduit entries
2. See switches & sensors data sheet for further information
3. Please consult your sales office for any other requirements



QUANTUM™ ROTARY CONTROL MONITORS

INTRINSICALLY SAFE – ATEX/IEC

3600 SERIES ALUMINUM AND STAINLESS STEEL ENCLOSURE DIMENSIONS



Dimensions in mm, imperial dimensions (inches) in parenthesis

TECHNICAL SPECIFICATIONS

Materials of construction

Enclosure	Aluminum with powder coat finish Stainless steel with electropolished finish
Shaft and hardware	Stainless steel
Bushing	PTFE (stainless steel) Oil impregnated bronze (aluminum enclosure)
Beacon visual indicator	Co-polyester

Drive shaft

Westlock standard	Double-D with 1/4" A/F
NAMUR standard	NAMUR standard VDI/VDE 3845

Available switches

Pepperl + Fuchs model NJ2-V3-N
V3 SPDT mechanical switches, with gold-plated contacts
Magnum, SPDT (hermetically sealed proximity type) switches with rhodium contacts

SOLENOID VALVES

The Falcon range of solenoid valves allows you to choose the material, voltage, number of ports, number of coils and C_v to best suit your application. See the Falcon II data sheet for more information.



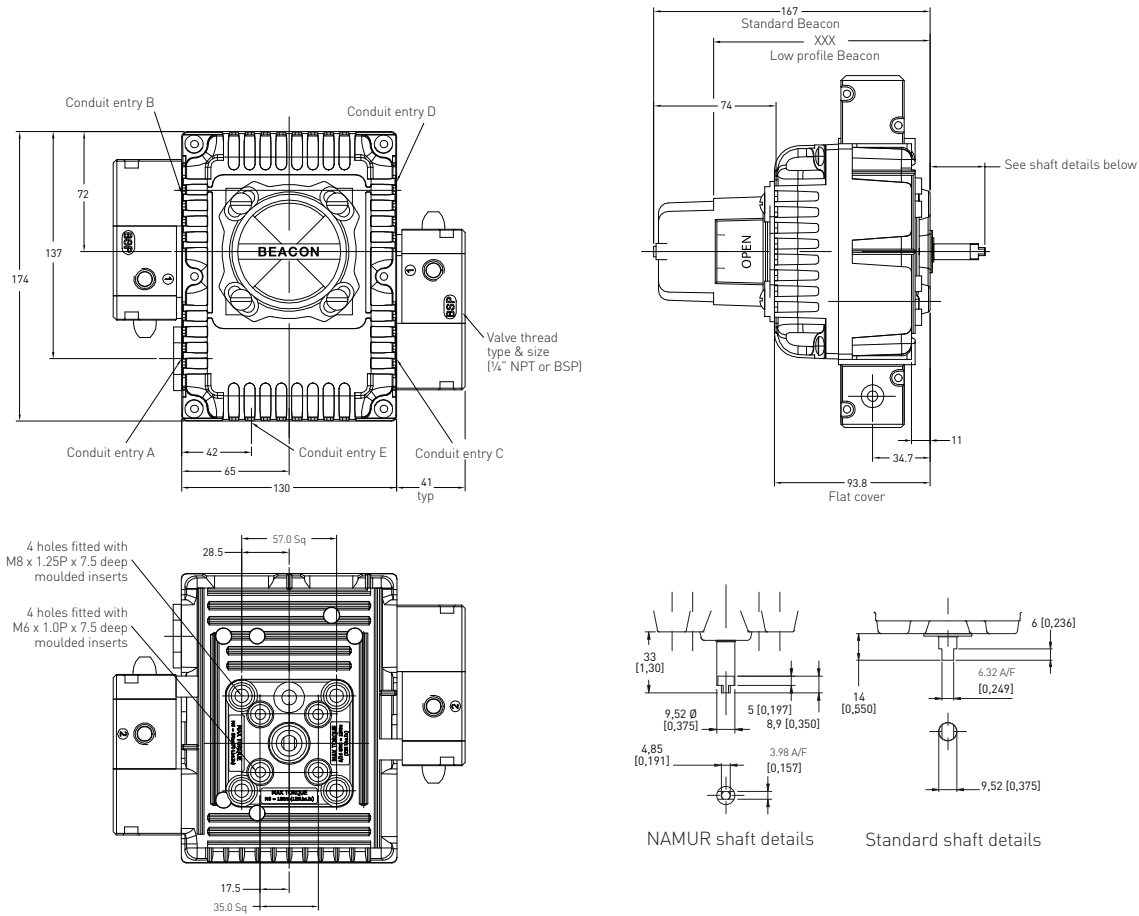
NOTES

1. See selection guide for standard conduit entries
2. See switches & sensors data sheet for further information
3. Please consult your sales office for any other requirements

QUANTUM™ ROTARY CONTROL MONITORS

INTRINSICALLY SAFE – ATEX/IEC

8600 SERIES RESIN ENCLOSURE DIMENSIONS



Dimensions in mm, imperial dimensions (inches) in parenthesis

TECHNICAL SPECIFICATIONS

Materials of construction

Enclosure	Engineered resin
Shaft and hardware	Stainless steel
Bushing	Nylon
Beacon visual indicator	Co-polyester

Drive shaft

Westlock standard	Double-D with 1/4" A/F
NAMUR standard	NAMUR standard VDI/VDE 3845

Available switches

Pepperl + Fuchs model NJ2-V3-N
V3 SPDT mechanical switches, with gold-plated contacts
Magnum, SPDT (hermetically sealed proximity type) switches with rhodium contacts

SOLENOID VALVES

The Falcon range of solenoid valves allows you to choose the material, voltage, number of ports, number of coils and Cv to best suit your application. See the Falcon II data sheet for more information.



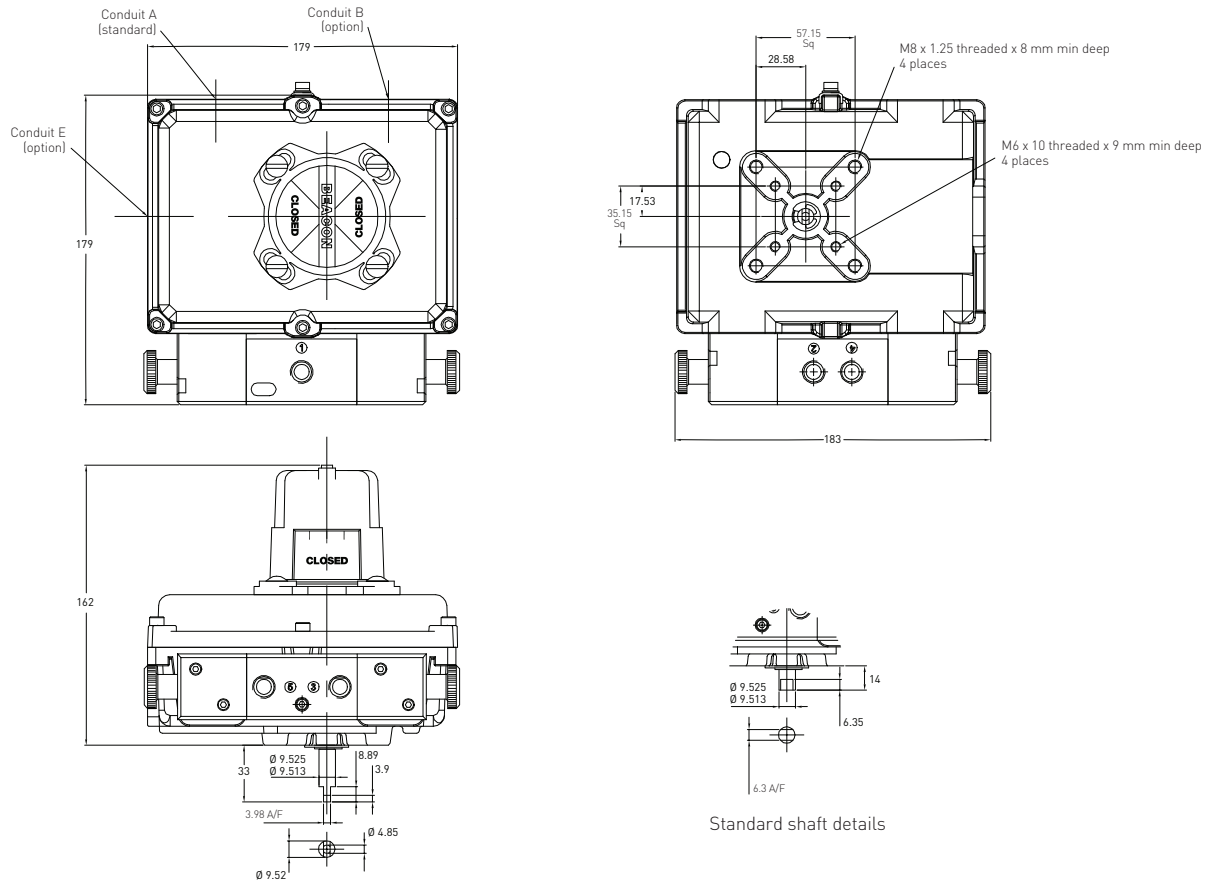
NOTES

1. See selection guide for standard conduit entries
2. See switches & sensors data sheet for further information
3. Please consult your sales office for any other requirements

QUANTUM™ ROTARY CONTROL MONITORS

INTRINSICALLY SAFE – ATEX/IEC

8600 SERIES ALUMINUM AND STAINLESS STEEL ENCLOSURE DIMENSIONS



Dimensions in mm, imperial dimensions (inches) in parenthesis

TECHNICAL SPECIFICATIONS

Materials of construction

Enclosure	Aluminum with powder coat finish Stainless steel with electropolished finish
Shaft and hardware	Stainless steel
Bushing	PTFE (stainless steel) Oil impregnated bronze (aluminum enclosure)
Beacon visual indicator	Co-polyester

Drive shaft

Westlock standard	Double-D with 1/4" A/F
NAMUR standard	NAMUR standard VDI/VDE 3845

Available switches

	Pepperl + Fuchs model NJ2-V3-N
	V3 SPDT mechanical switches, with gold-plated contacts
	Magnum, SPDT (hermetically sealed proximity type) switches with rhodium contacts

SOLENOID VALVES

The Falcon range of solenoid valves allows you to choose the material, voltage, number of ports, number of coils and C_v to best suit your application. See the Falcon II data sheet for more information.

NOTES

1. See selection guide for standard conduit entries
2. See switches & sensors data sheet for further information
3. Please consult your sales office for any other requirements

QUANTUM™ INTRINSICALLY SAFE ROTARY CONTROL MONITORS

3600/8600 SERIES SELECTION GUIDE

Housing															
36	3600 (single coil)														
86	8600 (single and dual coil)														
Cover style															
4	With Beacon														
6	Flat cover														
Switch type															
5	Microswitch SPDT gold plated contacts							9	Magnum XT90 rhodium contact switch						
7	Inductive NAMUR sensor							0	No switches fitted						
Material															
A	Aluminum														
R	Engineered resin														
S	Stainless steel														
Beacon type and color															
BY	Black/Yellow							B1	BM3-1 pattern 90°						
LY	Black/Yellow (low profile)							B3	BM3-3 pattern 90°						
AR	ANSI Red/White							B5	BM3-5 pattern 90°						
GR	Green/Red							B7	BM3-7 pattern 180°						
00	No Beacon fitted							B9	BM3-9 pattern 180°						
Drive shaft type															
S	Westlock standard – ¼" A/F (6.32 mm)														
N	NAMUR standard shaft – VDI/VDE 3845														
*	Non-standard (consult sales office)														
Solenoid body material															
A	Anodized aluminum														
E	Stainless steel														
Solenoid coil voltage															
C	24 V DC														
Solenoid valve specification															
[¼" BSP entry; 1.1 Cv]															
K	3/2 way - fail closed							U	3/2 way - fail closed						
L	3/2 way - fail open							V	3/2 way - fail open						
Q	5/2 way - fail closed							1	5/2 way - fail closed						
S	5/2 way - dual coil fail last							3	5/2 way - dual coil fail last						
[½" NPT entry; 1.1 Cv]															
Switch/sensor quantity															
0	No switch/sensor fitted							3	Three switches/sensors						
1	One switch/sensor							4	Four switches/sensors						
2	Two switches/sensors														
Conduit entries supplied															
2	Two entries							3	Three entries						
								4	Four entries						
Unit specification															
AAA	Standard build- M20 conduit entries														
ADZ	¾" NPT conduit entries														
DAV	M25 conduit entries														
FAN	½" NPT conduit entries														
***	Non-standard material														
Certification															
A	ATEX														
I	IECEX														
*	Other options														
Revision															
R*	Internal revision #														
86	4	7	A	BY	N	A	C	K	2	2	AAA	A	R1	= Model number 8647ABYNACK22AAA-AR1	

NOTES

1. Please contact your sales office for guidance on selecting the best possible combination for your control and monitoring requirements.
2. See Hazardous area classification technical bulletin for further information on global standards.



www.westlockcontrols.com

Westlock. We reserve the right to change designs and specifications without notice.