

## Power conditioner

Model number  
**PS459050A**



### .50 amp power conditioner

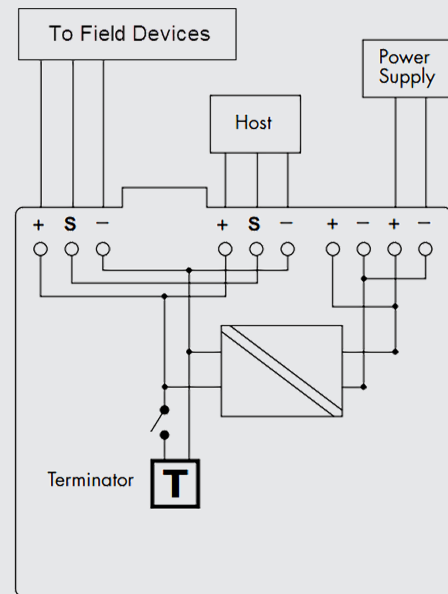
This Foundation Fieldbus power conditioner is designed to provide power to the Fieldbus network and attached devices. This power supply meets all Foundation Fieldbus specifications and complies with the requirements of a type FF-831 power supply. (Non-IS power supply) For I.S. applications it must be used with appropriate I.S. barriers.



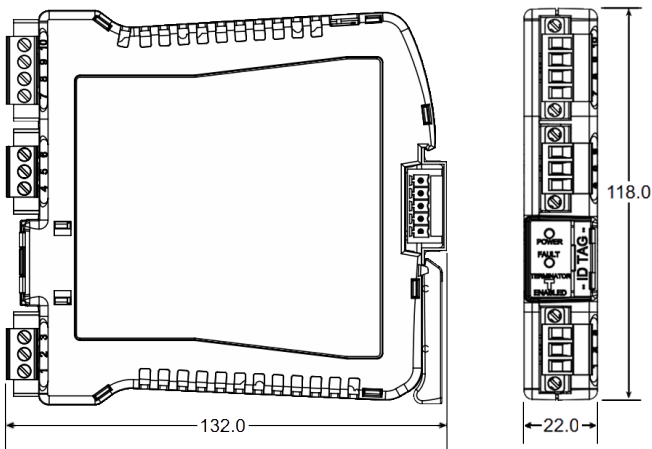
Specifications	
Output voltage	21.5 VDC to 24.0 VDC
Output current	0.50 amps
Input voltage	19.2 to 30.0 VDC
Displays	Power OK, green LED Fault, red LED Terminator enabled, white 'T'
Terminator	Switchable
Operating temperature	-40°C to +65°C (-40° to +149°F)
Housing	Polycarbonate, DIN rail mounting
Dimensions (L, W, H)	22mm, 132mm, 118mm
Ingress protection	IP20, field enclosure required
Approvals	ATEX: Ex nA IIC T4 FM: Class 1 Division 2 groups A,B,C,D CSA: Class 1 Division 2 groups A,B,C,D



### Schematic drawing



### Dimensions (mm)



## Power conditioners

Model number

**PS461089A**  
Redundant

**PS465024A**  
Redundant; DIN

**PS461090A**  
Daisy chain

**PS465025A**  
Daisy chain; DIN



### AS-Interface power conditioner

The AS-Interface power conditioner converts any 30VDC power source to an AS-Interface power supply by providing the data decoupling function. It may be used to power an AS-Interface segment with redundant power supplies or with remote placement of power supply.

#### This device can be used for

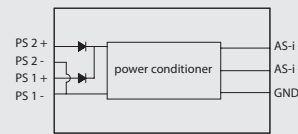
- Redundant power supplies for single AS-Interface segment
- Power multiple segments with 1 power supply
- Remote location of power supply (distance from power supply to power conditioner does not add to AS-i network length)



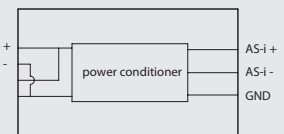
Specifications	
Connection	Redundant inputs (diode protection) Daisy chain inputs (common terminals)
Max voltage	35 VDC
Max current	3 amps
Input voltage	26 VDC to 32 VDC
Indication	Green LED indicates bus power is good ( $\geq 26V$ ) Red LED indicates bus power is low ( $<26V$ )
Dimensions (L, W, H)	75mm, 26mm, 40mm
Operating temperature	-40° to +80°C (-40° to +176°F)

### Schematic drawings

#### Redundant

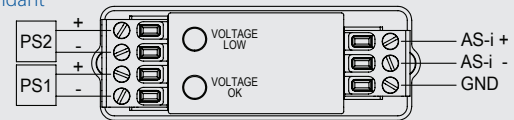


#### Daisy chain

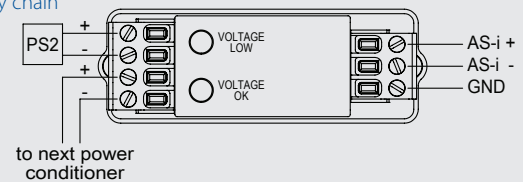


### Wiring diagrams

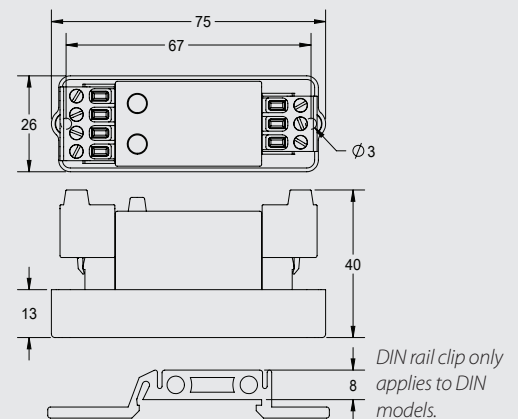
#### Redundant



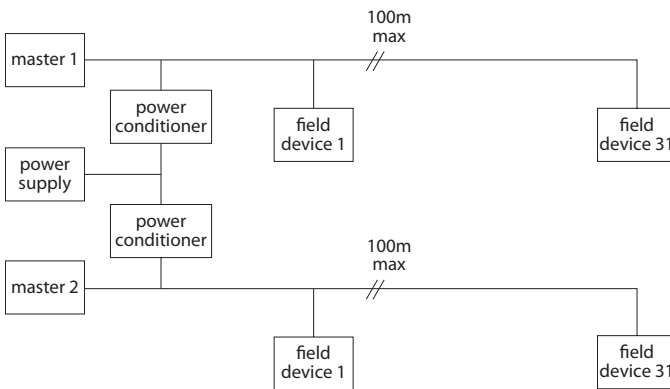
#### Daisy chain



### Dimensions (mm)



### Network 1



### Network 2

