

ACCUTRAK™ ROTARY POSITION MONITORS

NON-INCENDIVE – NEC

AccuTrak 9468 series are fully integrated and encapsulated rotary valve position monitors that are agency certified as non-incendive



TECHNICAL DATA

Agency approvals

Area classification (NEC 500) Class I, Division 2, Groups A, B, C & D
Class II, Division 2, Groups F & G

Enclosure standards (ANSI/NEMA 250) Type 4, 4X

Switches

Model 9468 Magnum SPDT (hermetically sealed proximity type) switches
MagPAC bifurcated switch pack

Enclosures

Models 9468 Engineered resin
Stainless steel

FEATURES

- Magnum switches with rhodium contacts for use with low power I/O's for longer contact life.
- MagPAC bifurcated switch pack provides reliable action for low power and non-resistive loads.
- MagPAC LEDs provide clear status indication of limit switch and solenoid, where applicable.
- Strong durable Beacon™ offers 360° visual indication in a choice of styles and colors.
- Touch set cams are hand adjustable, spring loaded and self-locking providing quick calibration of position switches and sensors.
- Terminal strips are pre-wired and numbered with generous working space for ease of use.
- Additional conduit for easy field wiring and mounting accessories as standard.
- Analog position transmitter option.
- Standardized mounting pattern for easy adaptation to common bracketry.
- Robust stainless steel conduit entry inserts provide protection from excessive torque and reliable grounding.
- NAMUR shaft output compliant to VDI / VDE 3845 available.
- Engineered resin enclosure is robust, lightweight and provides exceptional chemical, UV and impact resistance.

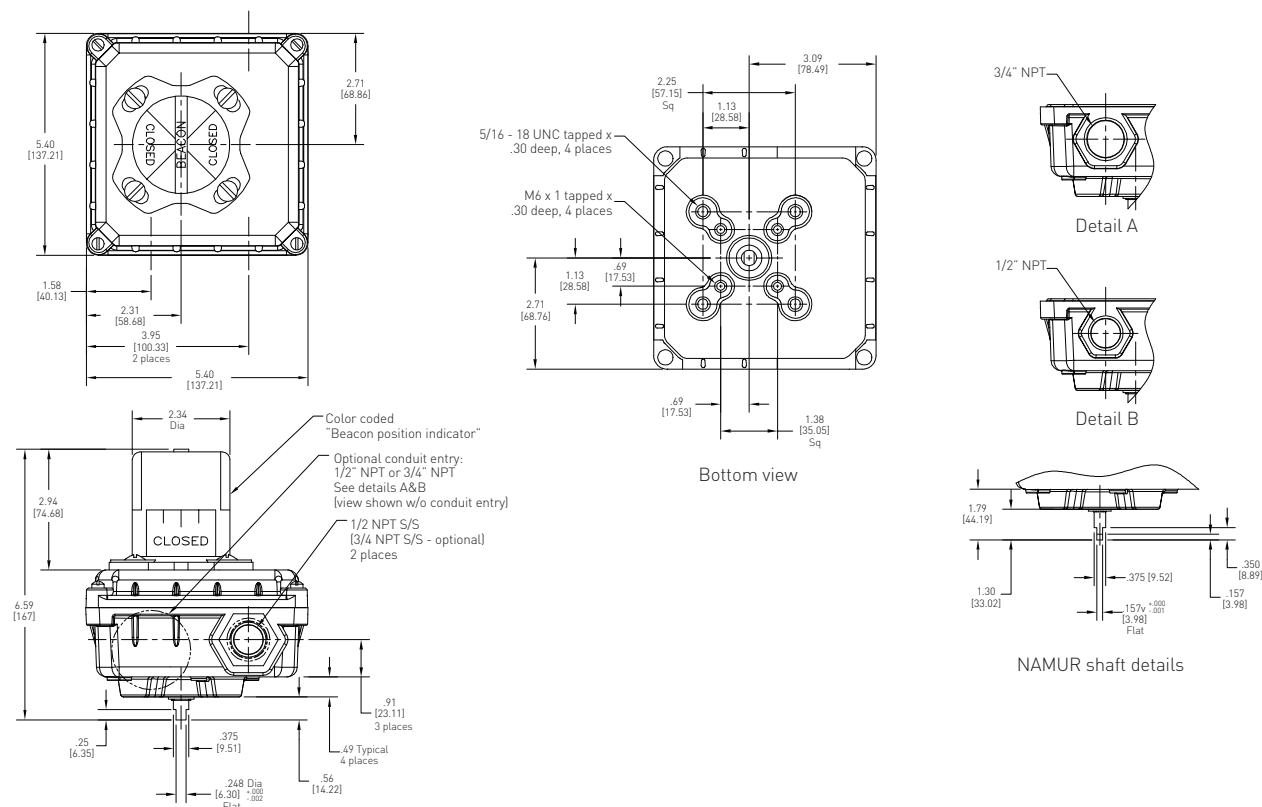
GENERAL APPLICATION

AccuTrak position monitors are ideal for manual and automated rotary valves. They provide consistent and accurate valve monitoring in a compact unit which can be mounted directly or via a valve actuator.

ACCUTRAK™ ROTARY POSITION MONITORS

NON-INCENDIVE – NEC

MODEL 9468 DIMENSIONS



Dimensions in inches, where available metric dimension (mm) in parentheses

TECHNICAL SPECIFICATIONS

Materials of construction

Enclosure	Engineered polyamide resin
Shaft and hardware	Stainless steel
Bushing	Nylon
Beacon visual indicator	Co-polyester

Drive shaft

Westlock standard	Double-D with 1/4" A/F
NAMUR standard	NAMUR standard VDI/VDE 3845

Available switches

Magnum, SPDT hermetically sealed switches, with tungsten contacts
Magnum, SPDT hermetically sealed switches, with rhodium contacts
MagPAC Switch pack, SPST normally open with LED indication

Options

4-20 mA position transmitter
Stainless steel enclosure

NOTES

1. See selection guide for standard conduit entries
2. See switches & sensors data sheet for further information
3. A specialist eliminator fitting is available for the mounting of an aftermarket solenoid valve
4. Please consult your sales office for any other requirements



ACCUTRAK™ NON-INCENDIVE ROTARY POSITION MONITOR

MODEL 9468 SELECTION GUIDE

Base model

9468 Engineered resin enclosure⁽³⁾

Shaft output

S Westlock standard (double-D with ¼" Flats)
 N NAMUR

Beacon

BY BM2-Y (standard)
 RG BM2-RG (Red Closed/Green Open)
 FE BM2-Y-FE (French/English)
 AB BM2-B
 AR BM2-R
 B1 BM3-1
 B3 BM3-3
 B5 BM3-5
 B7 BM3-7
 B9 BM3-9
 FC Flat Cover

Conduit

2A Two ½" NPT (F)
 2B Two ¾" NPT (F)
 2G One ½" NPT (F) and one ½" NPT (M) eliminator fitting

Position switches

2M06 Two SPDT Magnum switches with tungsten contacts - 8 pt. TS
 2M12 Two SPDT Magnum switches with rhodium contacts - 8 pt. TS
 2M13 MagPAC module (Two SPST bifurcated switches with LEDs)
 Note: MagPAC is standard with clear cover
 4M06 Four SPDT Magnum switches with tungsten contacts - 16 pt. TS
 4M12 Four SPDT Magnum switches with rhodium contacts - 16 pt. TS

Analog position transmitter

00 None
 CS 4-20 mA position transmitter - 12 pt. TS (with 2M06 and 2M12 only)

9468 N BY 2A 2M13 00 = Model number **9468NBY2A2M1300**

NOTES

1. Please contact your sales office for guidance on selecting the best possible combination for your control and monitoring requirements.
2. See Hazardous area classification technical bulletin for further information on global standards.
3. For stainless steel enclosure, please add '00124' to end of your part number built with the above selection guide



www.westlockcontrols.com

Westlock. We reserve the right to change designs and specifications without notice.