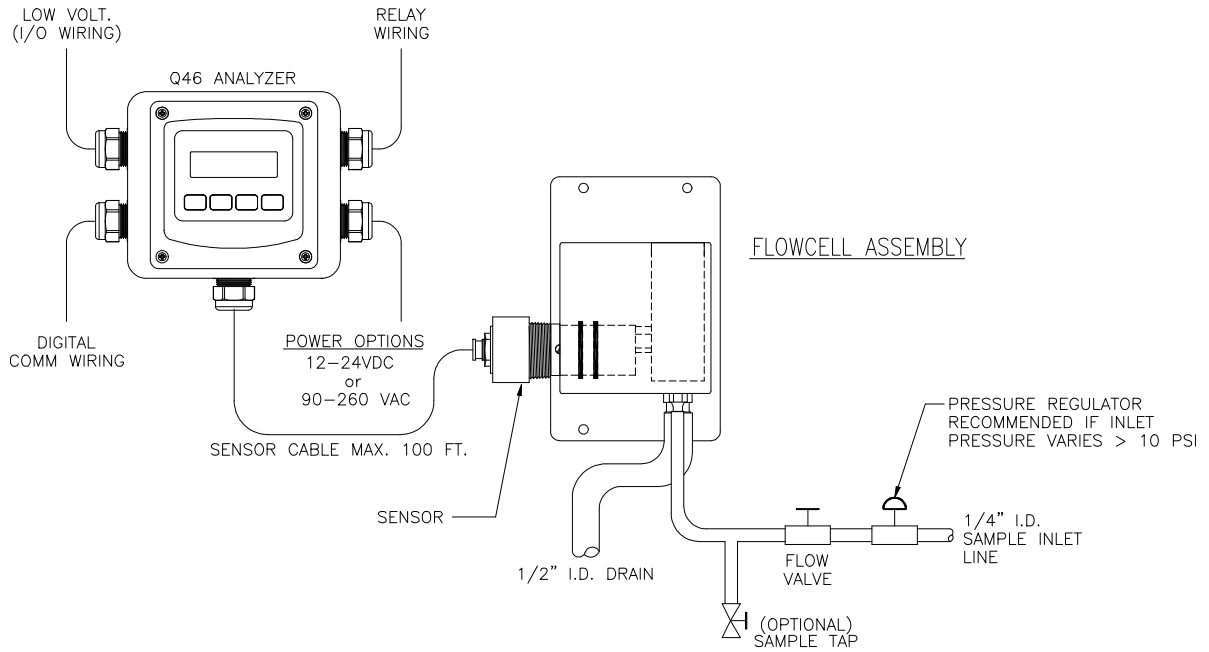
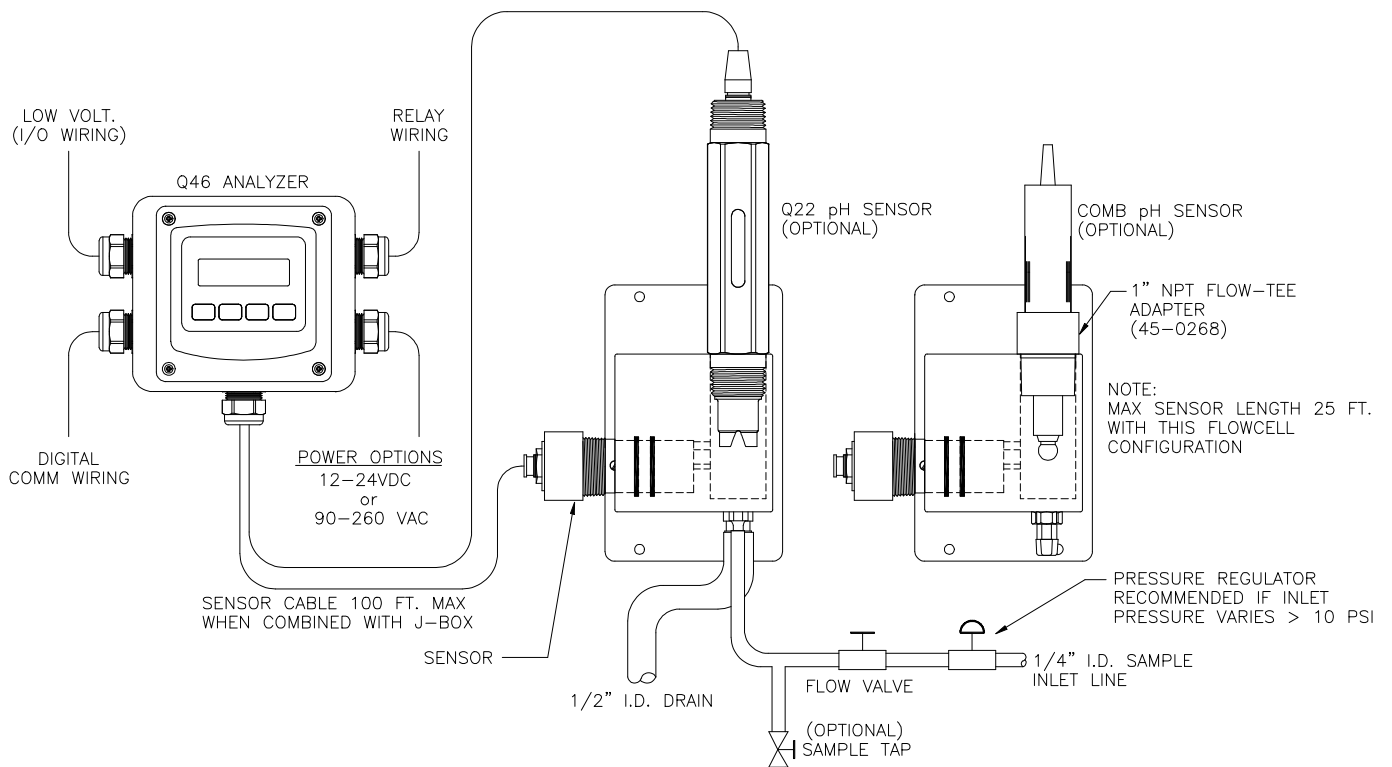


STANDARD SYSTEM DIAGRAM



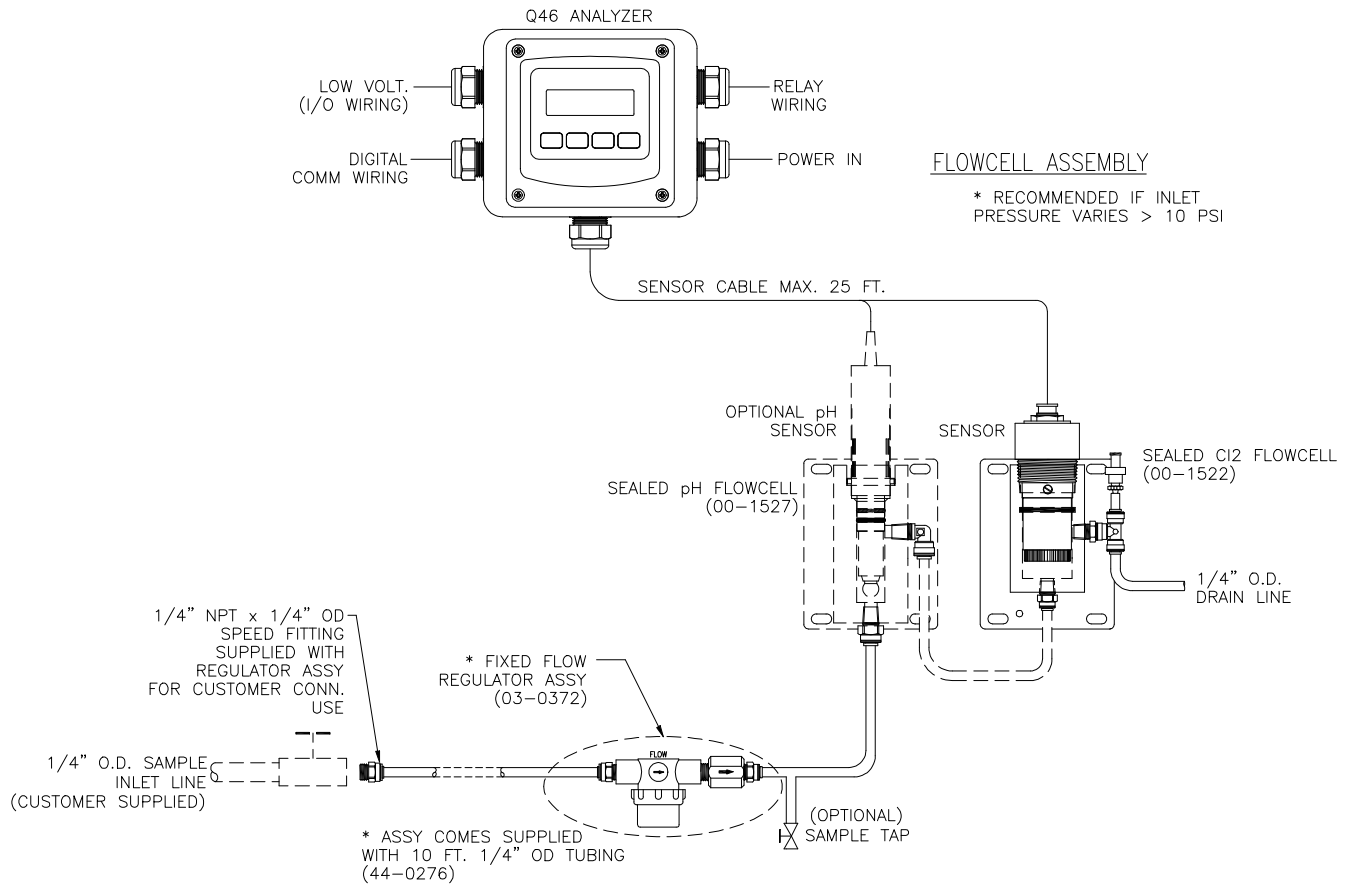
ATI-0922

SYSTEM DIAGRAM w/OPTIONAL pH SENSOR



ATI-0923

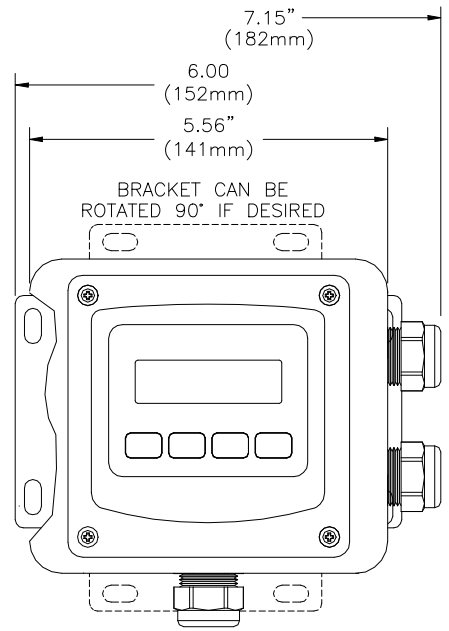
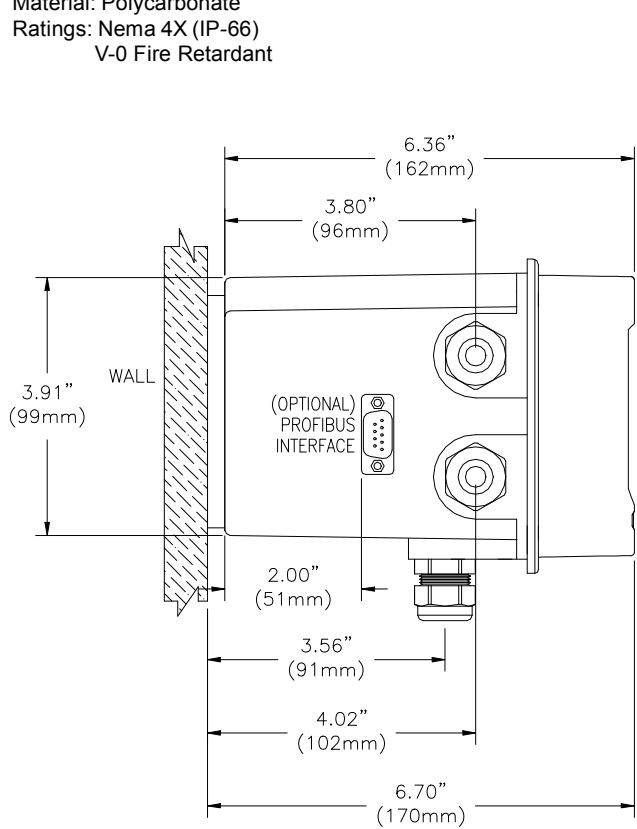
SYSTEM DIAGRAM w/SEALED FLOWCELLS



ATI-0924

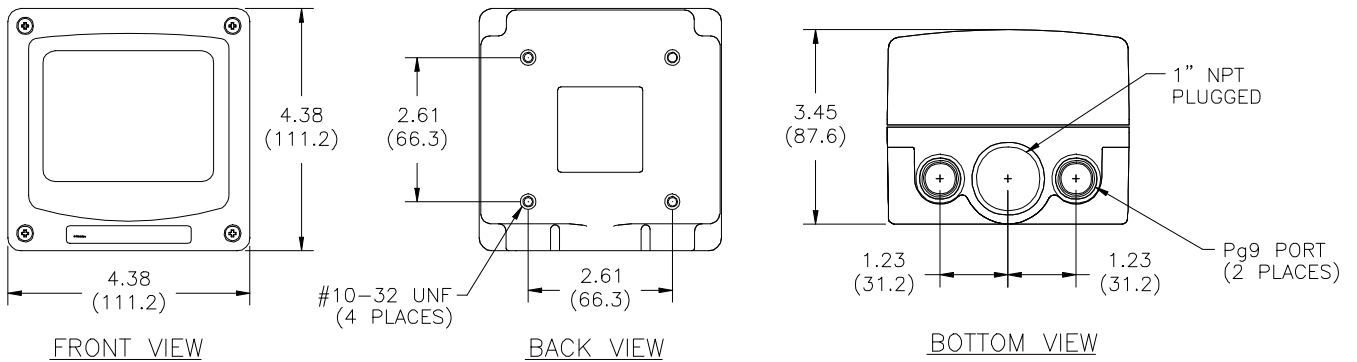
ANALYZER DIMENSIONS (WALL MOUNT SHOWN)

Material: Polycarbonate
 Ratings: Nema 4X (IP-66)
 V-0 Fire Retardant



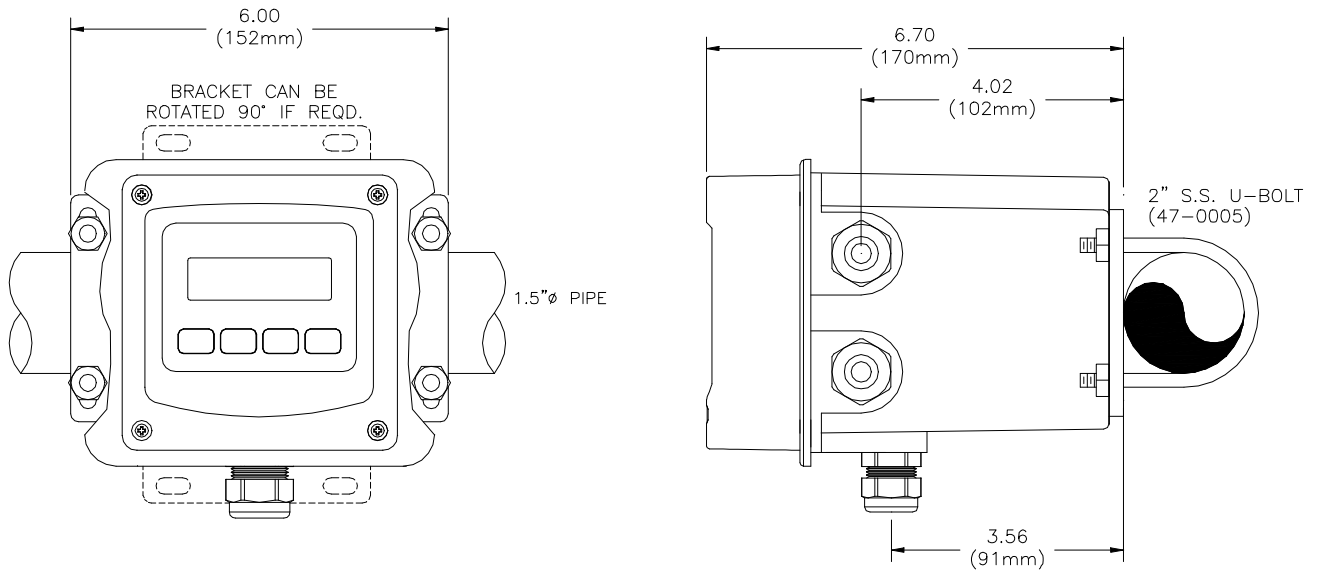
ATI-0926

JUNCTION BOX



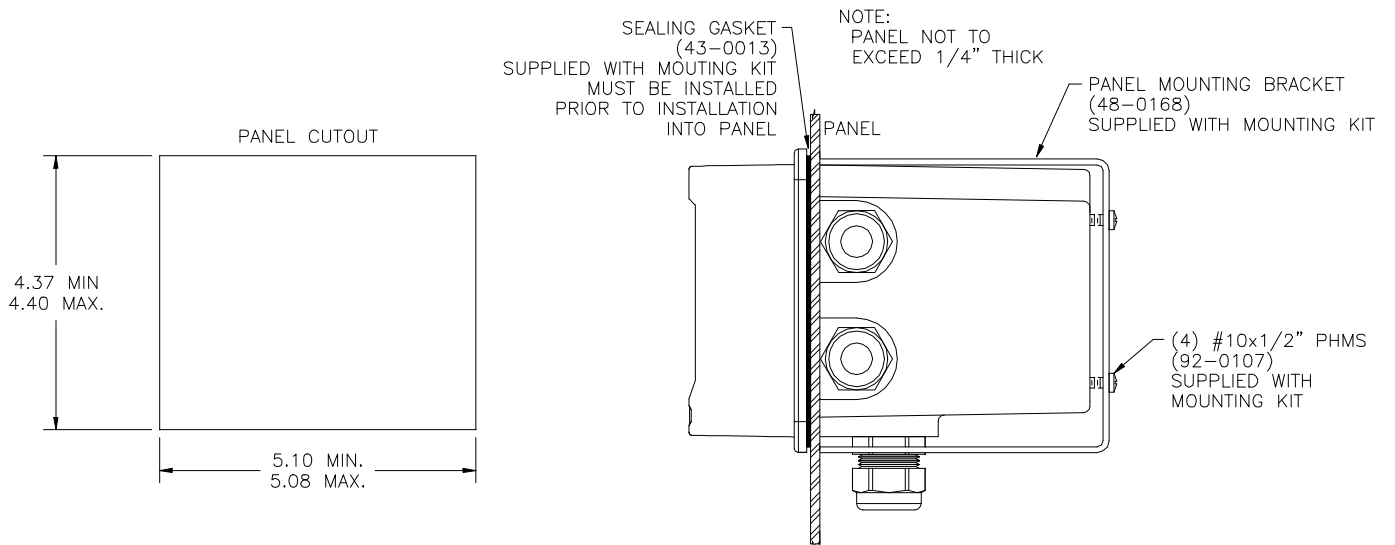
ATI-0655

PIPE MOUNTING



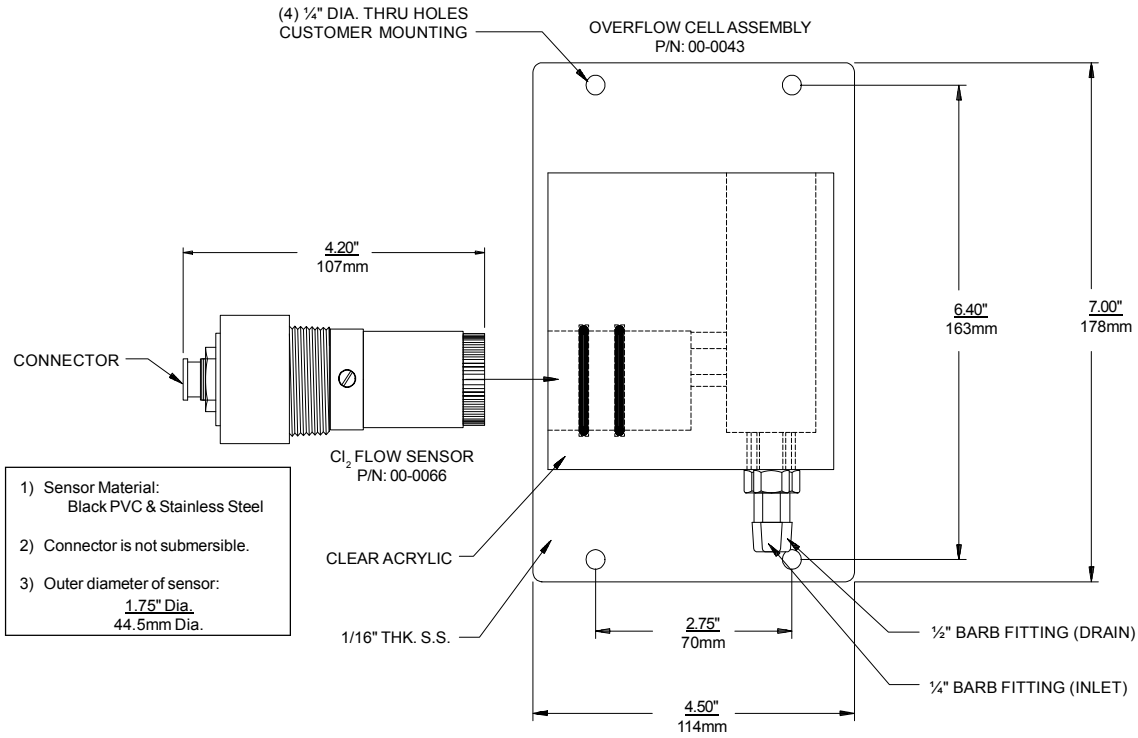
ATI-0927

PANEL MOUNTING DIAGRAM



ATI-0928

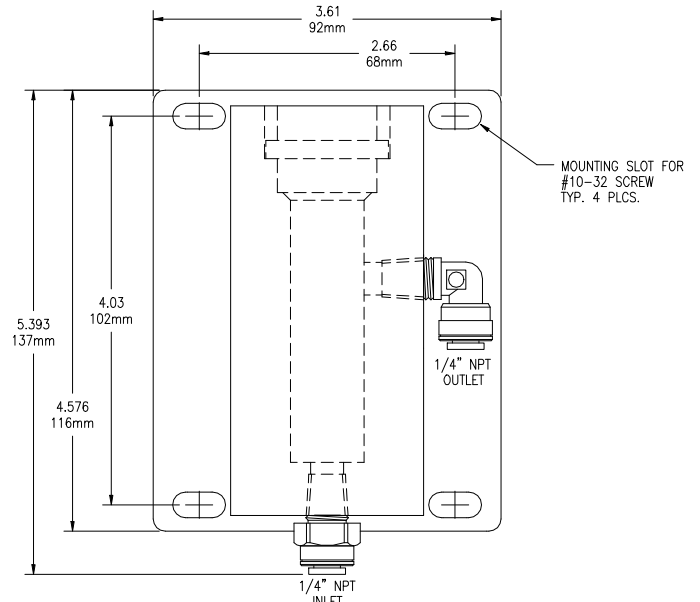
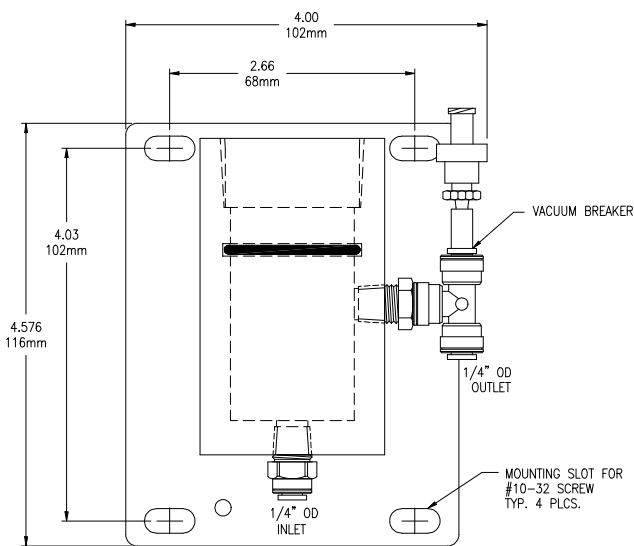
FLOW SENSOR DIMENSIONS & OVERFLOW CELL INSTALLATION



ATI-0196

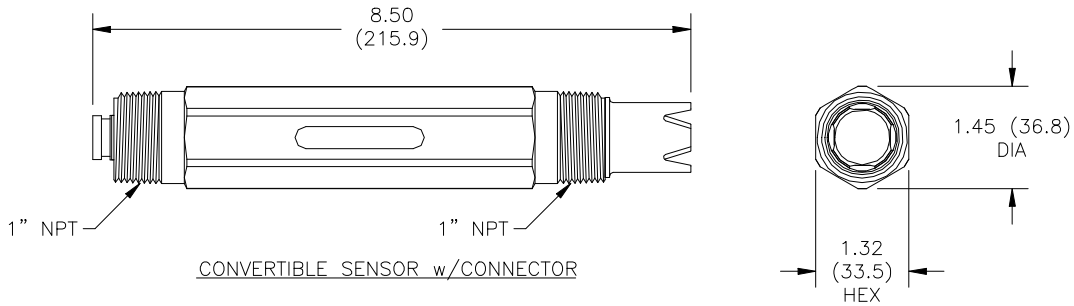
**Cl₂ SEALED FLOWCELL ASSEMBLY
(00-1522)**

**pH SEALED FLOWCELL ASSEMBLY
(00-1527)**

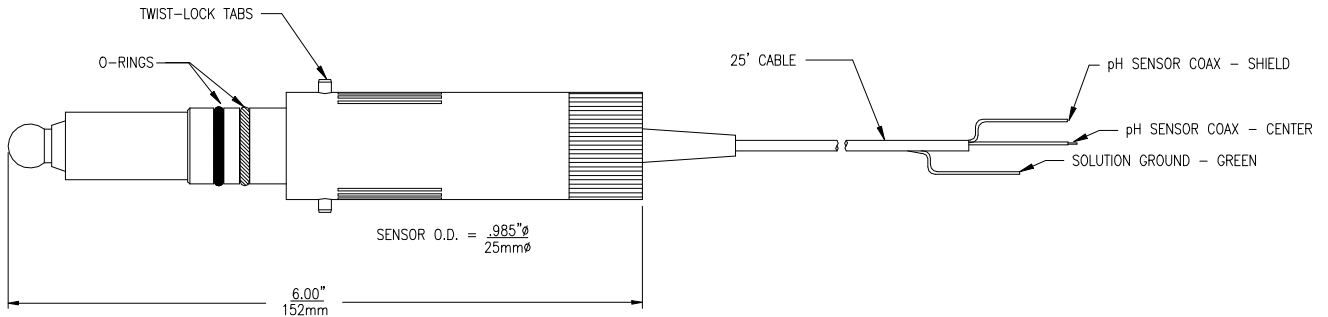


Material: Acrylic
Mounting Plate: PVC

(07-0096) pH SENSOR DIMENSIONS

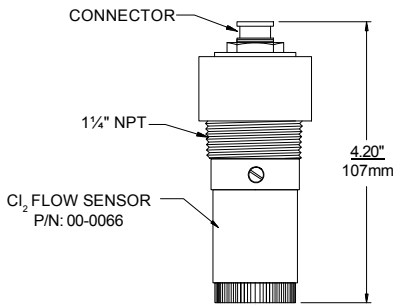


(63-0101) pH SENSOR DIMENSIONS

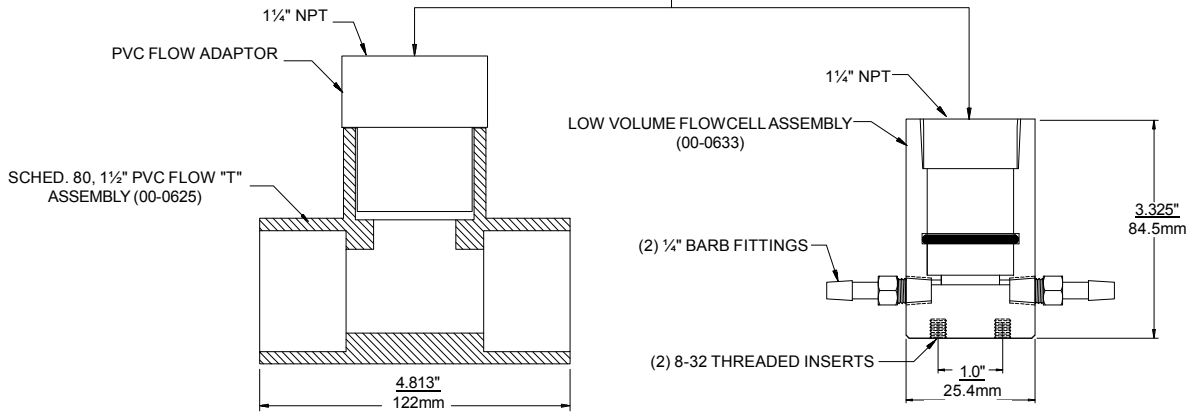


SPECIAL APPLICATION FLOWCELLS (CONSULT FACTORY)

- 1) Sensor Material: Black PVC & Stainless Steel
- 2) Connector is not submersible.
- 3) Outer diameter of sensor: 1.75" Dia. 44.5mm Dia.

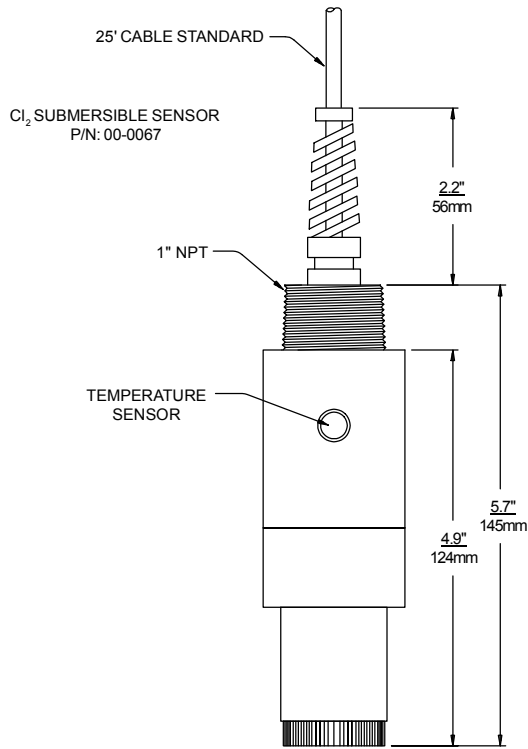


- Flow "T":
- 1) Max. 50 PSI for Flow "T" operation.
 - 2) Use Teflon tape to seal In-Line Sensor.
- Low Volume Flowcell:
- 1) Material: Clear Acrylic



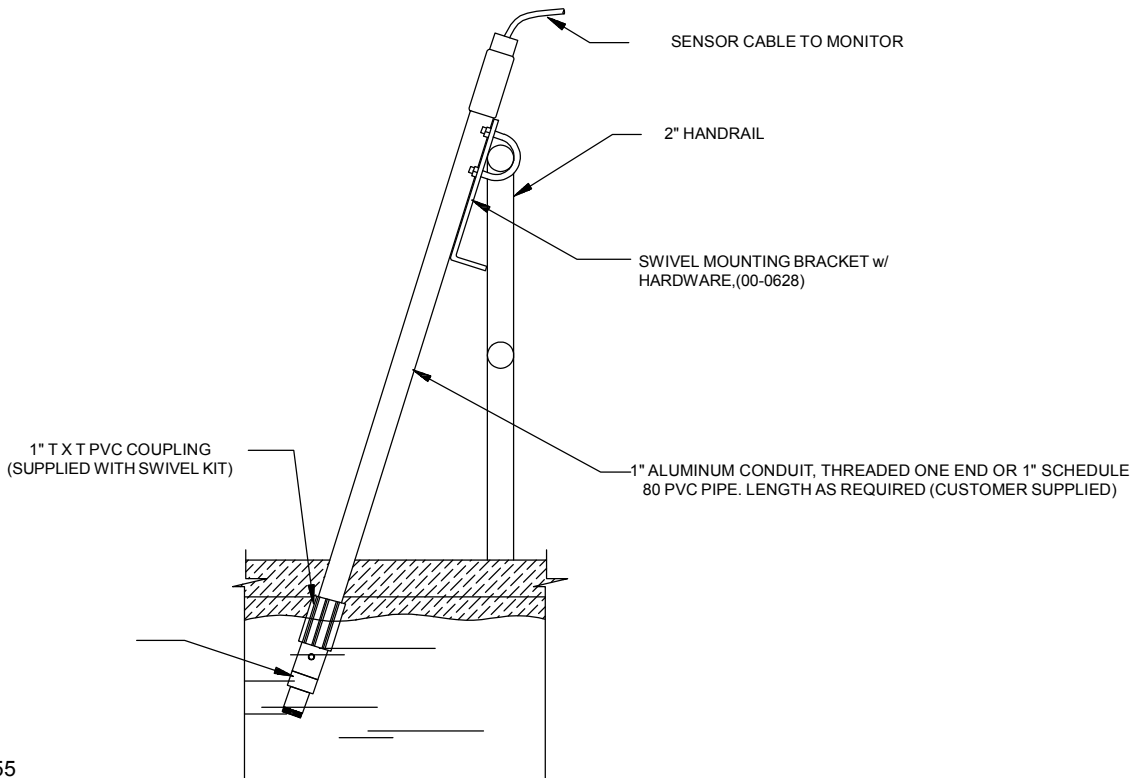
ATI-0197

SUBMERSIBLE SENSOR DIMENSIONS



ATI-004

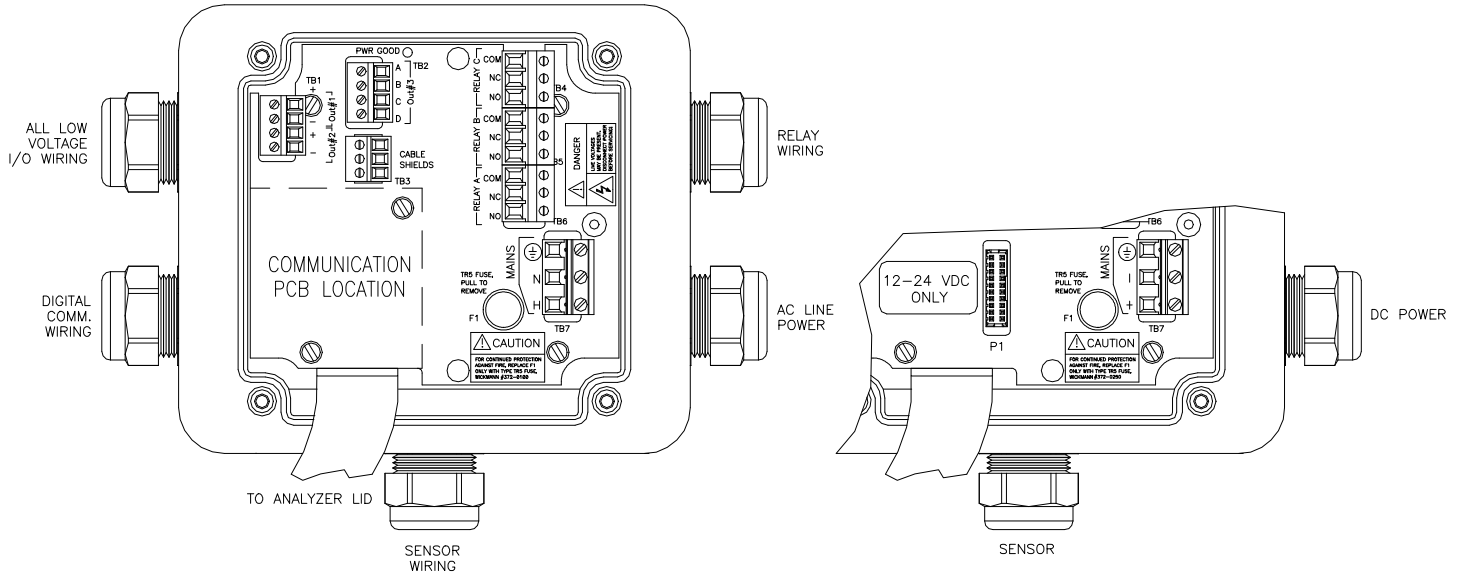
SUBMERSIBLE SENSOR INSTALLATION



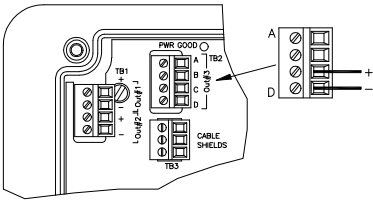
ATI-0155

POWER, RELAY, AND OUTPUT CONNECTIONS

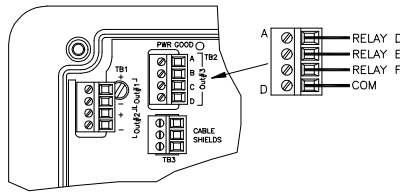
ATI-0930,
0932, 0933, 0989



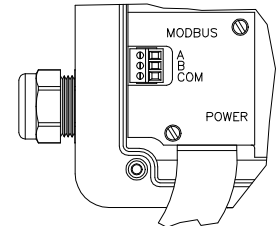
Optional Analog Output Wiring



Optional Relay Board Wiring (30V Max.)

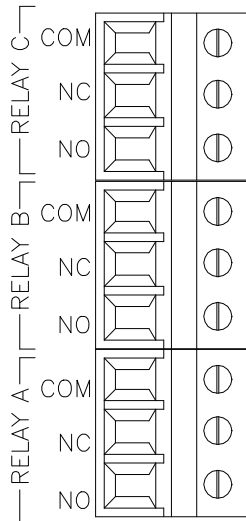


MODBUS Communication

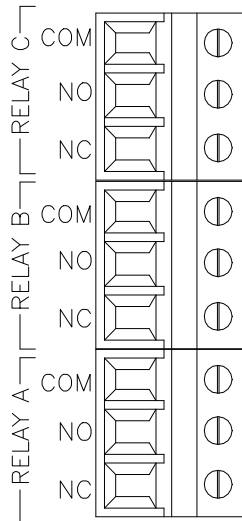


RELAY WIRING TB4,5,6 DETAIL

FACTORY DEFAULT (NORMAL MODE)

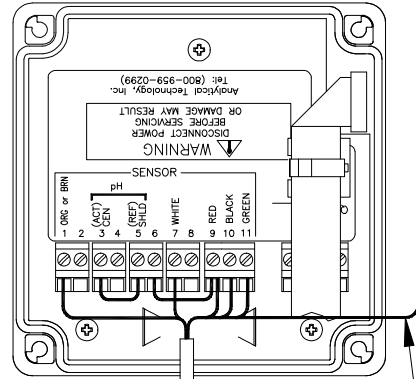


(FAILSAFE MODE)



ELECTRICAL CONNECTIONS

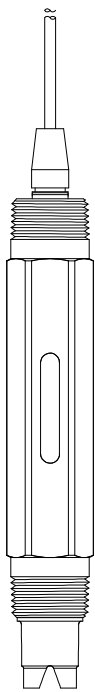
Remove jumpers 3-5 & 6-9
if pH sensor is connected



*CONNECT SHIELD TO T/B LABELED "CABLE SHIELDS" LOCATED ON P/S PCB INSIDE OF ENCLOSURE

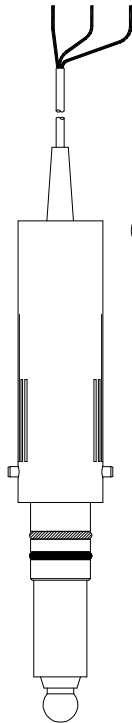
Q22P SENSOR
(07-0096)

- RED - 3
- BLACK - 5
- SHIELD - *

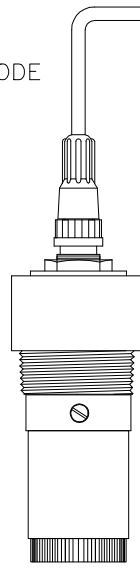


ATI COMBINATION ELECTRODE
(63-0101)

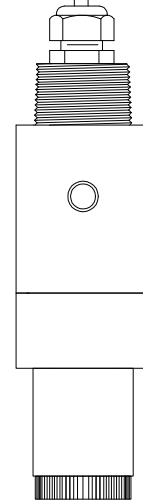
- CENTER COND. - 3
- SHIELD (BRAID) - 5
- GREEN - 7



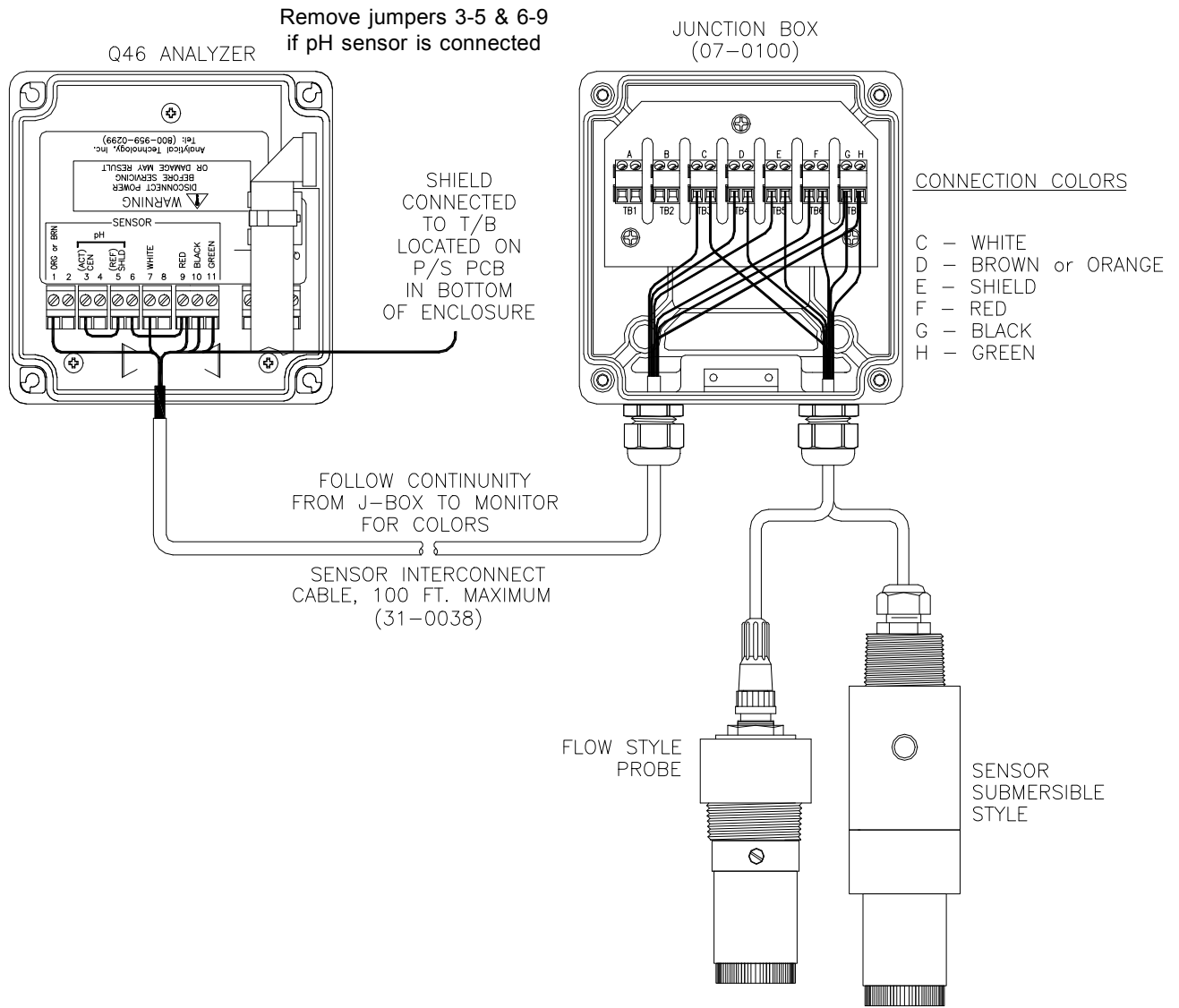
FLOW STYLE
PROBE



SENSOR
SUBMERSIBLE
STYLE
(NOT AVAILABLE
FOR Q45H-62)



SENSOR CONNECTIONS - REMOTE JUNCTION BOX



SENSOR CONNECTIONS - Cl₂/pH WITH JUNCTION BOX

(63-0101) Bayonet Style pH Probe CANNOT be used in a remote application

