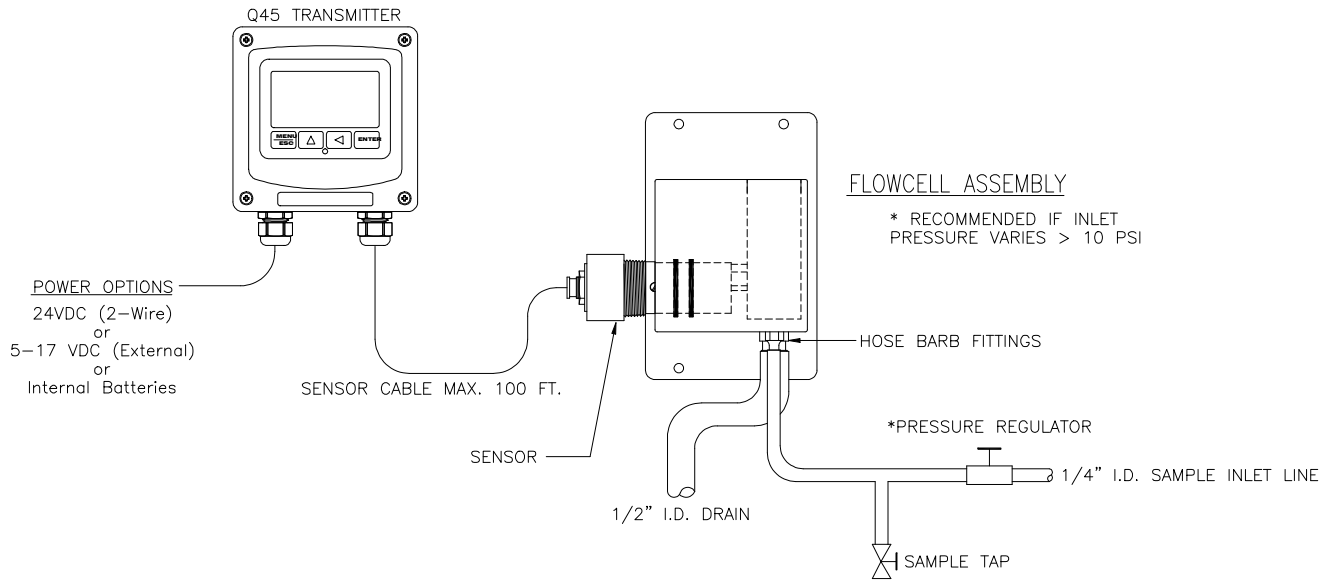
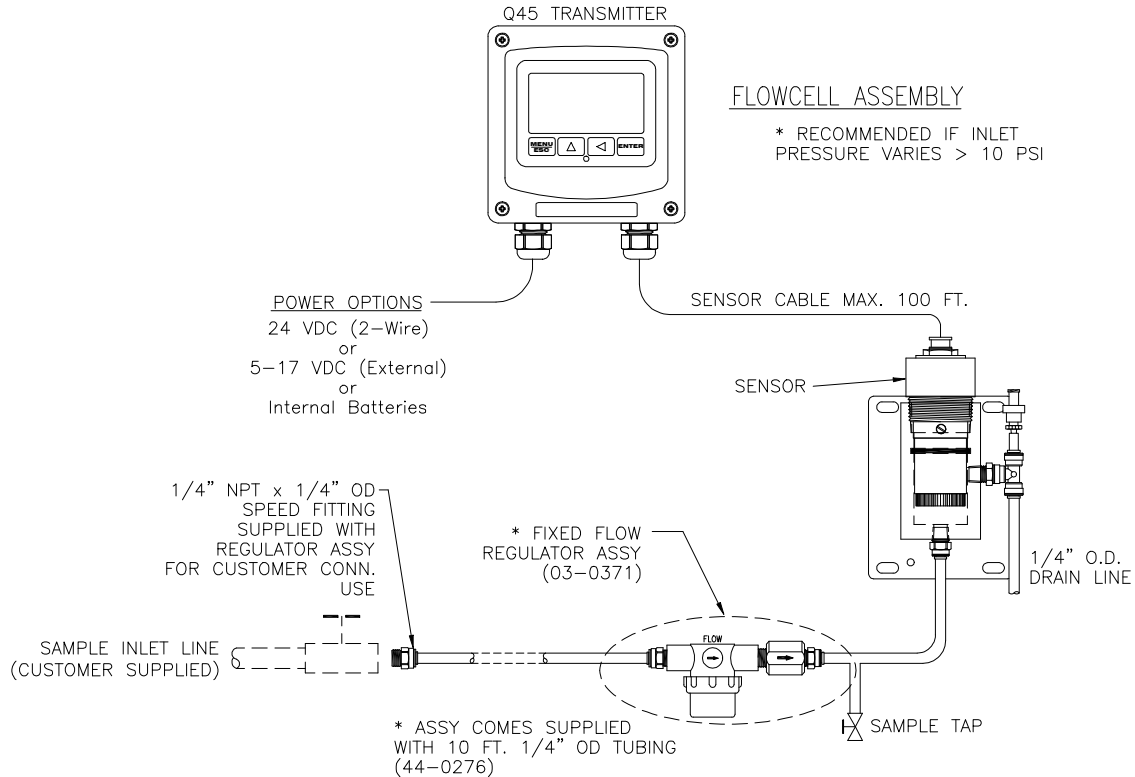


**SYSTEM WITH CONSTANT HEAD FLOWCELL**



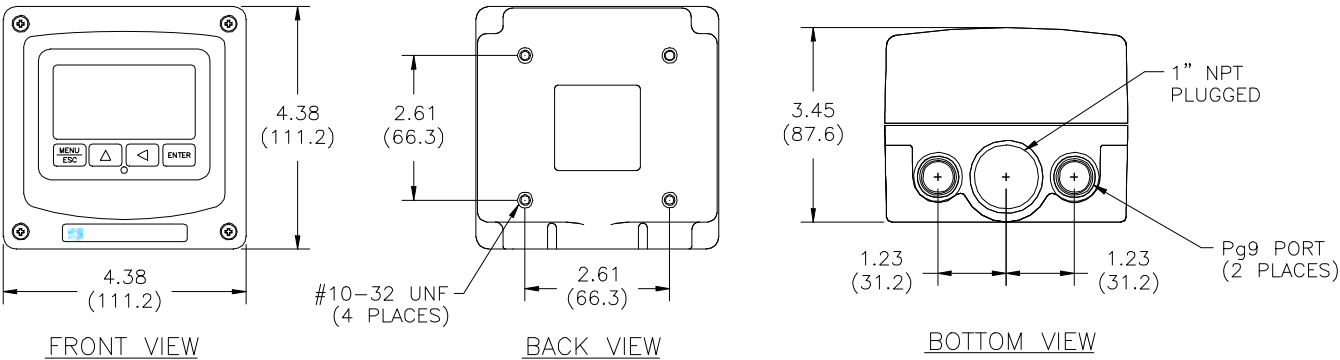
ATI-0730

**SYSTEM WITH SEALED FLOWCELL**



ATI-0891

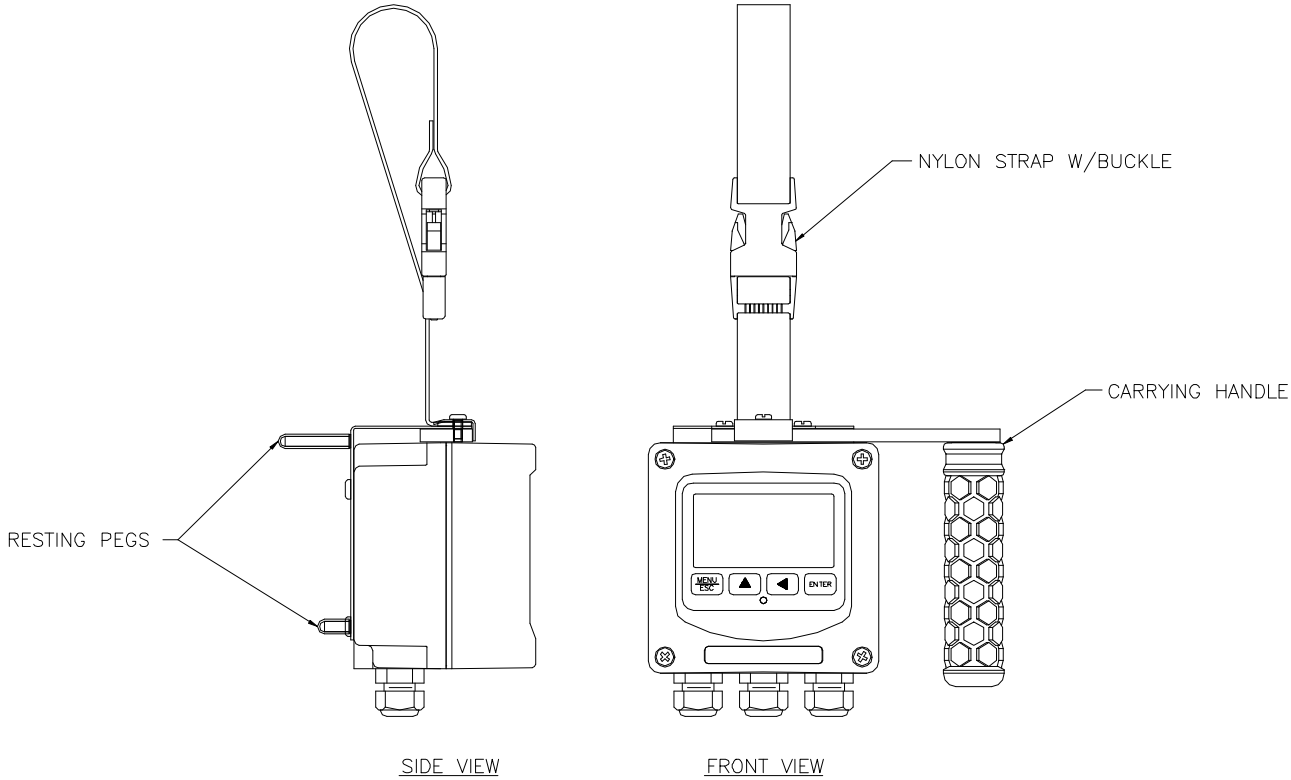
**2-WIRE or REMOTE DC MODELS**



**NOTE: JUNCTION BOXES HAVE SAME DIMENSIONS AS 2-WIRE TRANSMITTER**

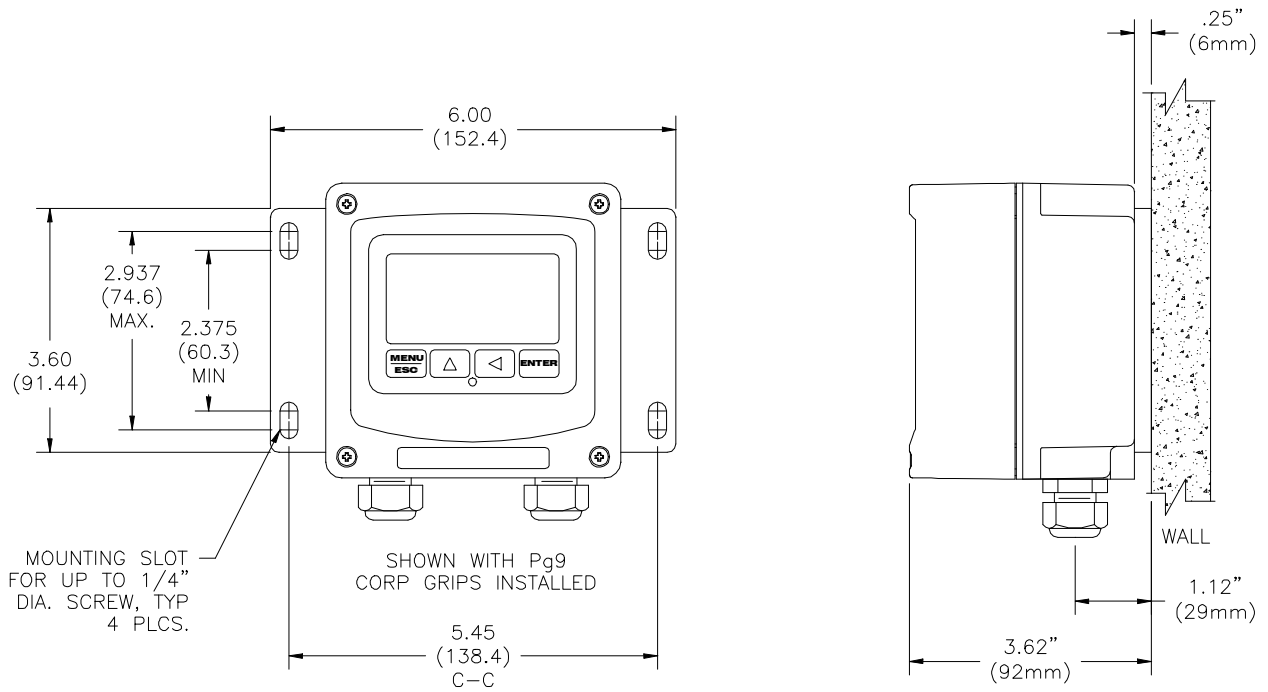
ATI-0655

**INTERNAL BATTERY MODEL**



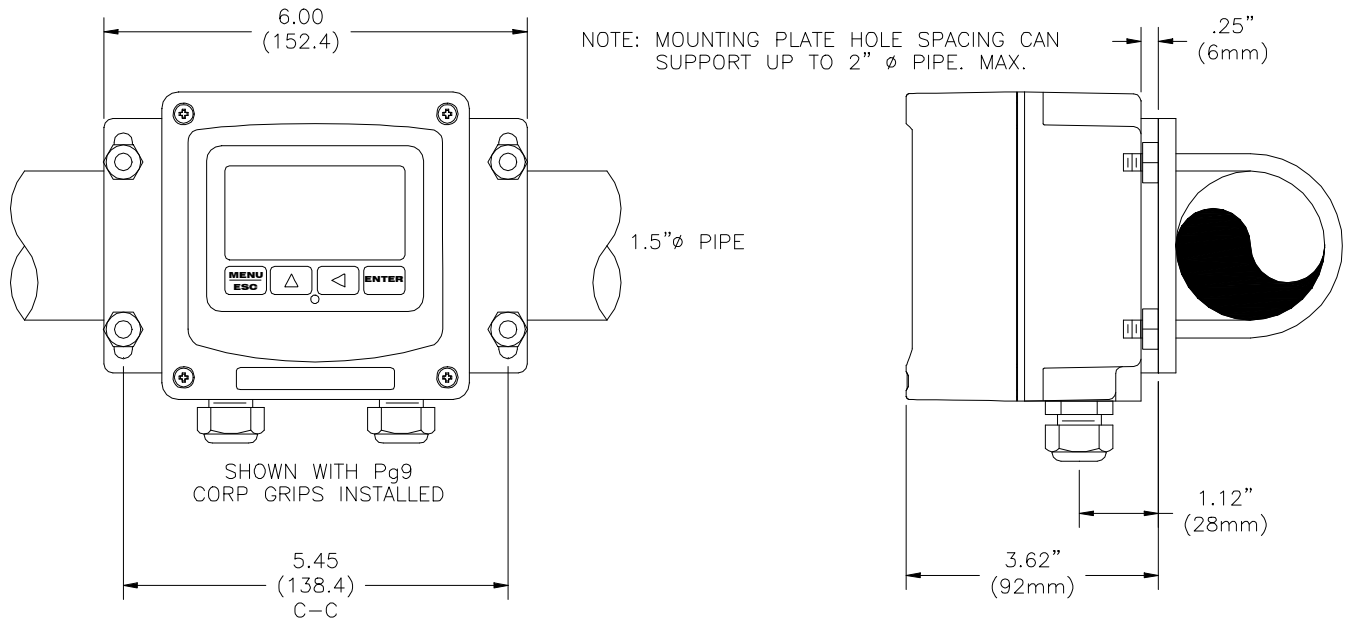
ATI-0688

**WALL MOUNTING**



ATI-1033

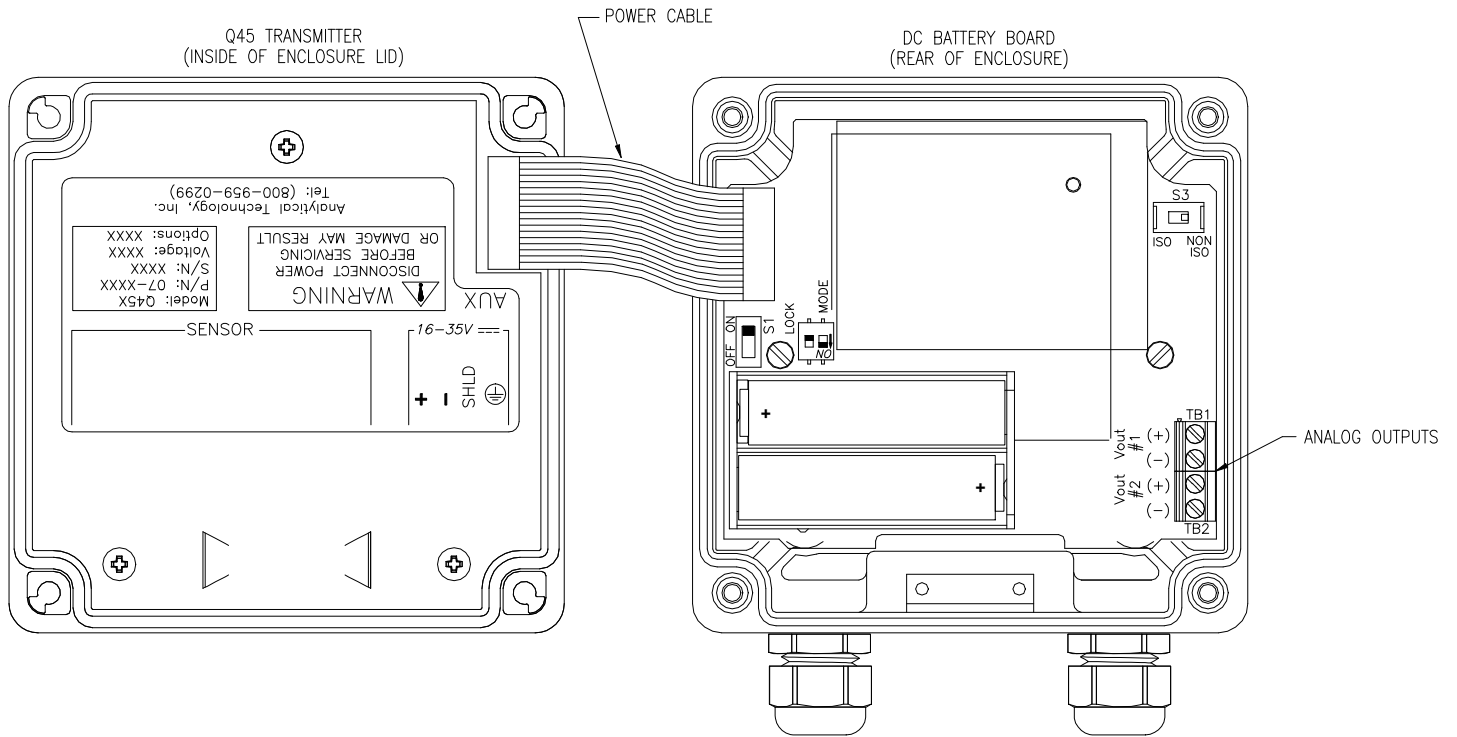
**PIPE MOUNTING**



NOTE: PLATE MAY BE TURNED 90° FOR VERTICAL PIPE MOUNTING

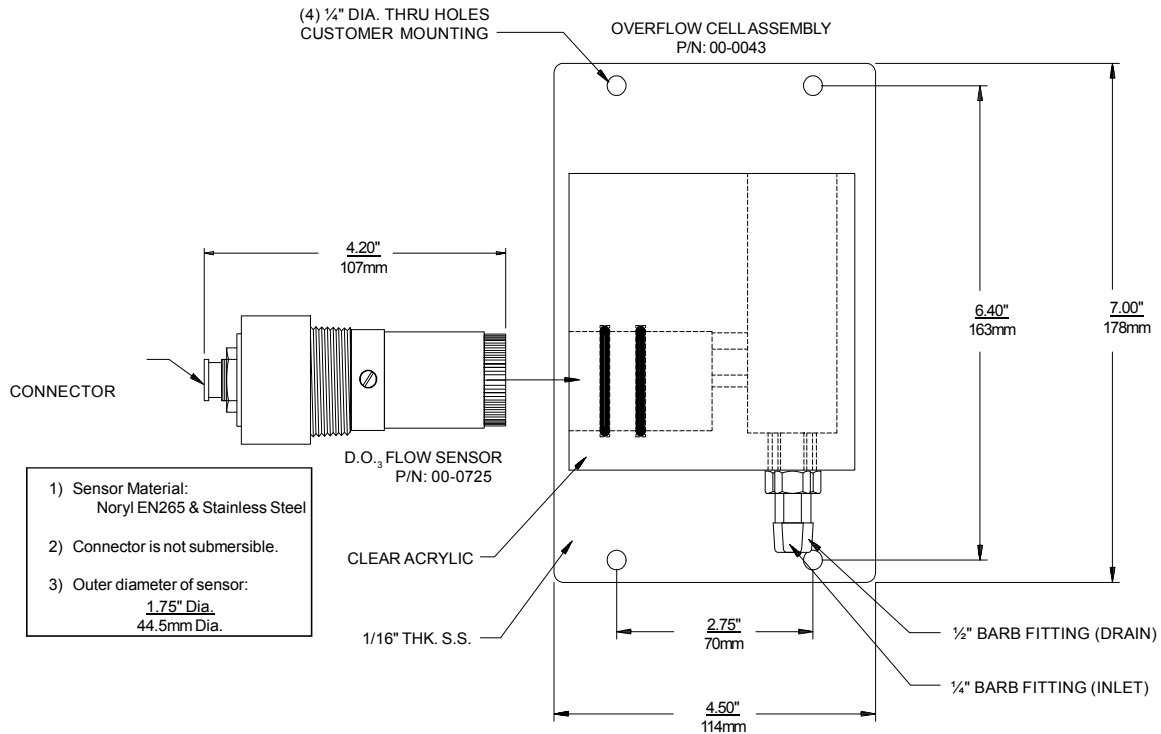
ATI-1034

**INTERNAL BATTERY CONFIGURATION**



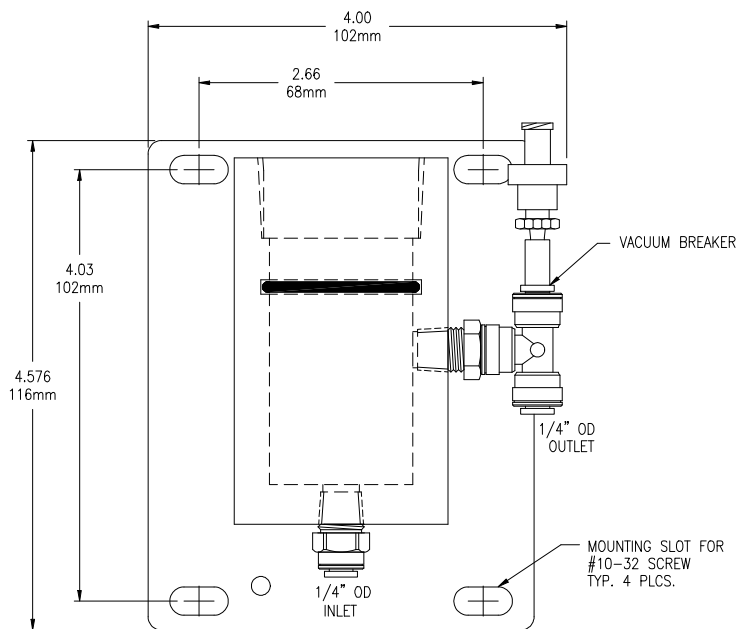
ATI-0827b

**FLOW SENSOR DIMENSIONS & OVERFLOW CELL INSTALLATION**



ATI-0196

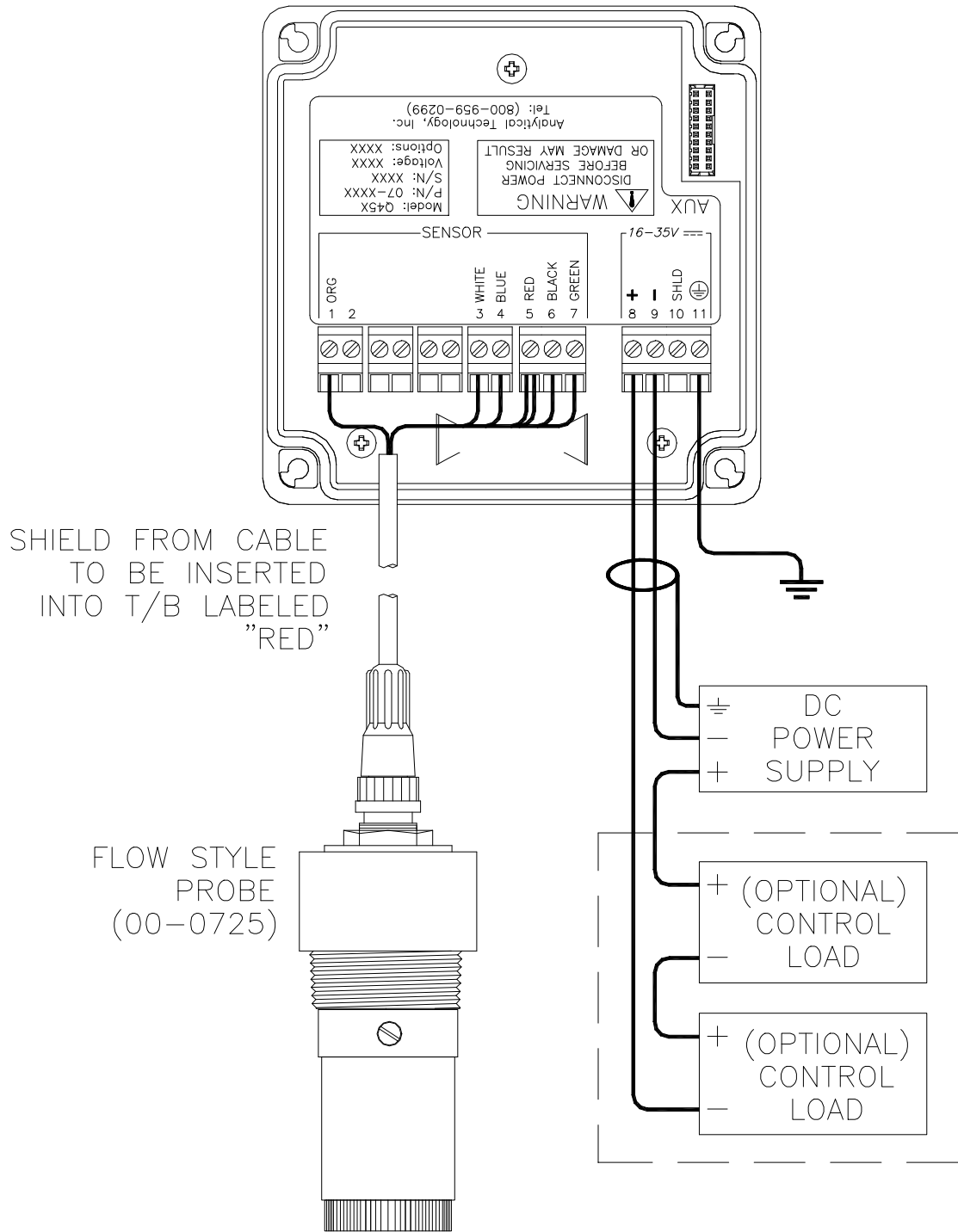
**SEALED FLOWCELL ASSEMBLY (00-1522) DIMENSIONS**



Material: Acrylic  
Mounting Plate: PVC

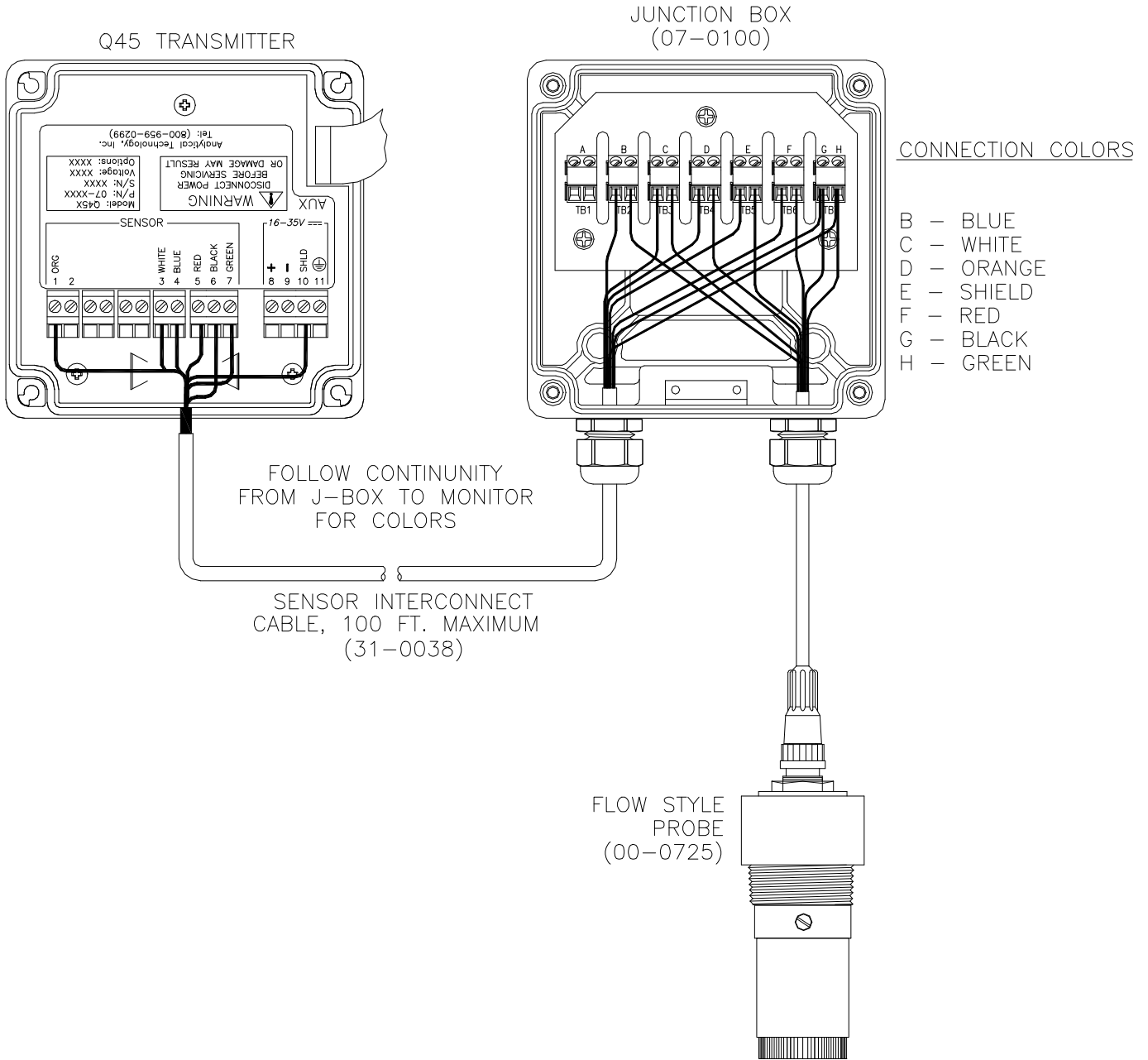
ATI-0859

**ELECTRICAL CONNECTIONS - 2-WIRE TRANSMITTER**



- NOTES:** 1. Voltage between Terminals 8 & 9 MUST be between 16 & 35 VDC.  
 2. Earth ground into Terminal 11 is HIGHLY recommended. This connection can greatly improve stability in electrically noisy environments.

**SENSOR CONNECTIONS - REMOTE JUNCTION BOX**



ATI-0893