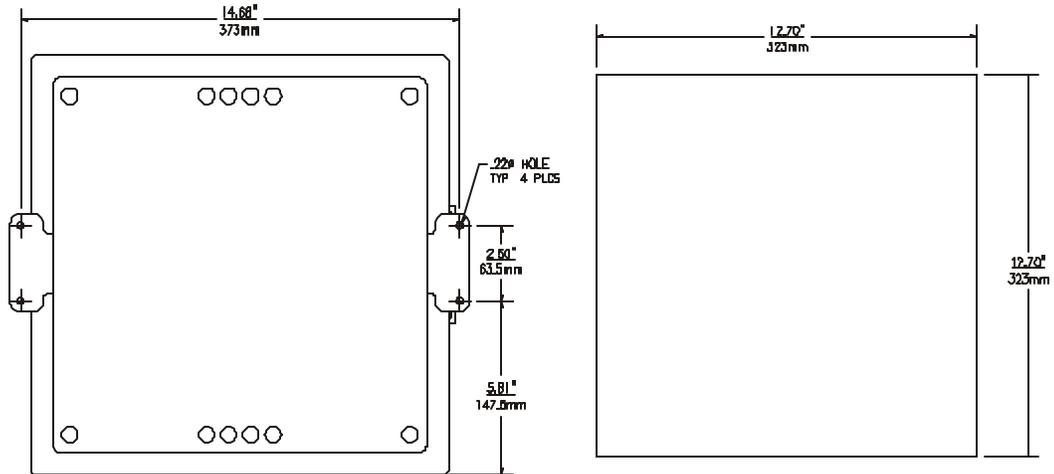


WALL & PANEL MOUNT INSTALLATION

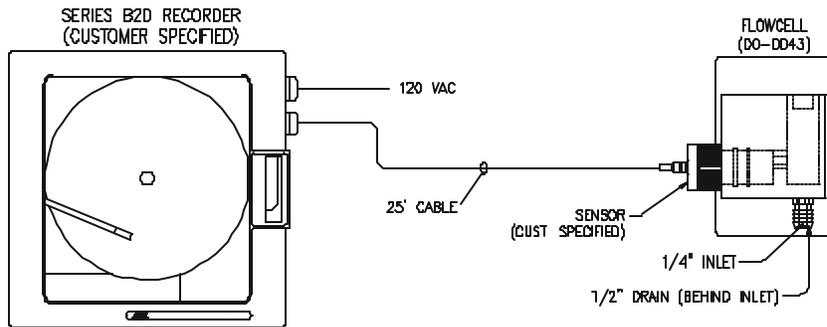


SURFACE MOUNTING
REAR VIEW OF RECORDER

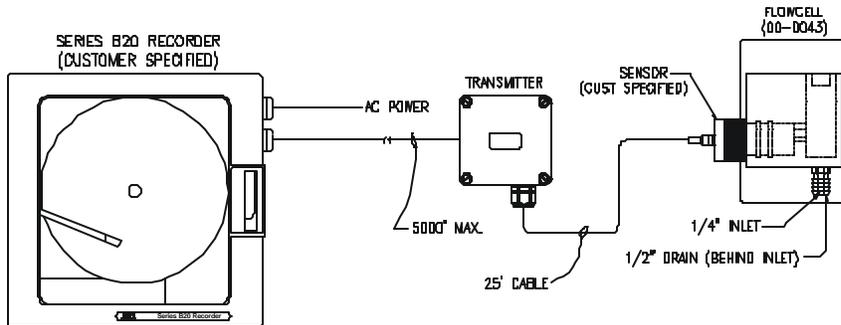
PANEL CUT-OUT

ATI-0107

SYSTEM DIAGRAMS



ATI-0131



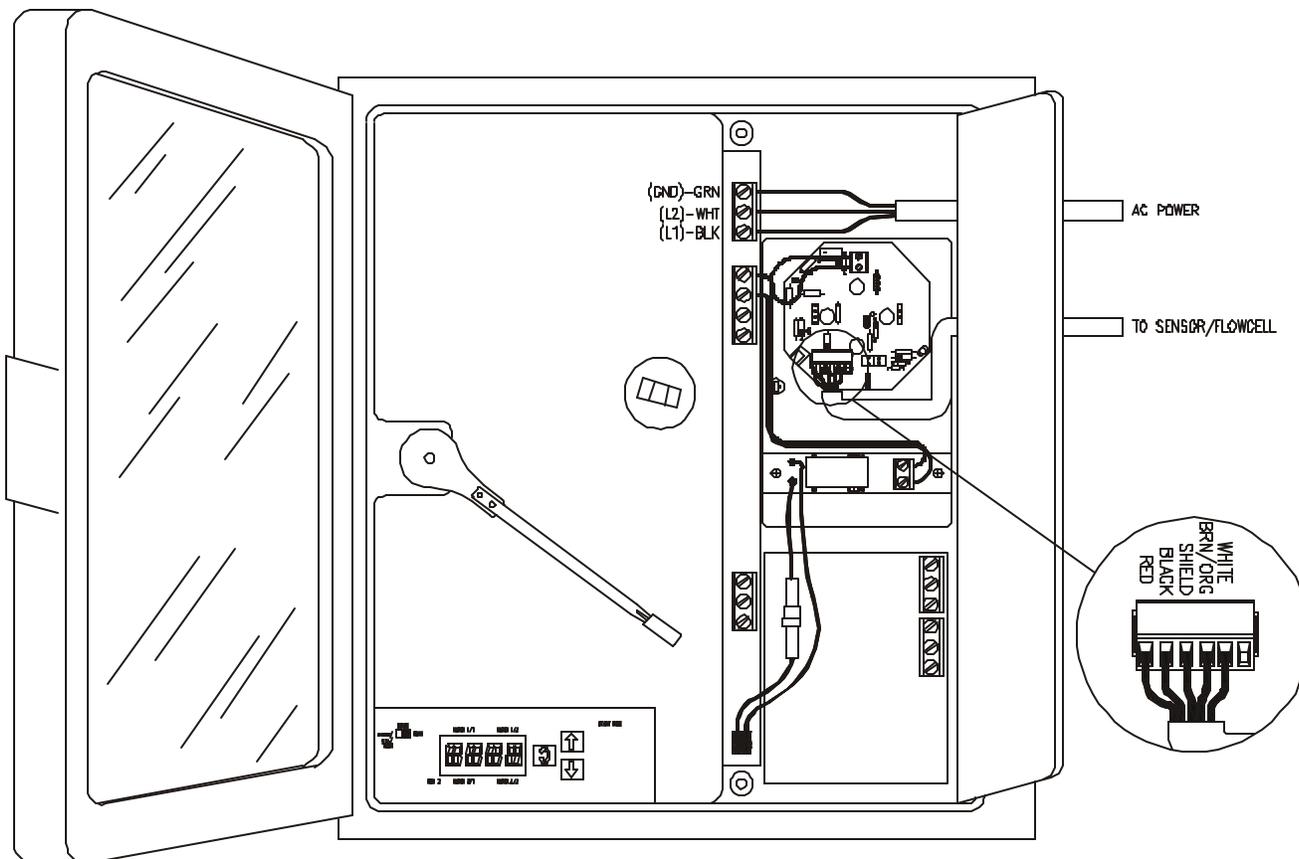
ATI-0132

NOTES

- 1) Enclosure Material: Noryl, Glass window
- 2) Nema-3 Rating
- 3) See A15/62, sheets 5,6, and 7, for sensor and flowcell dimensions.

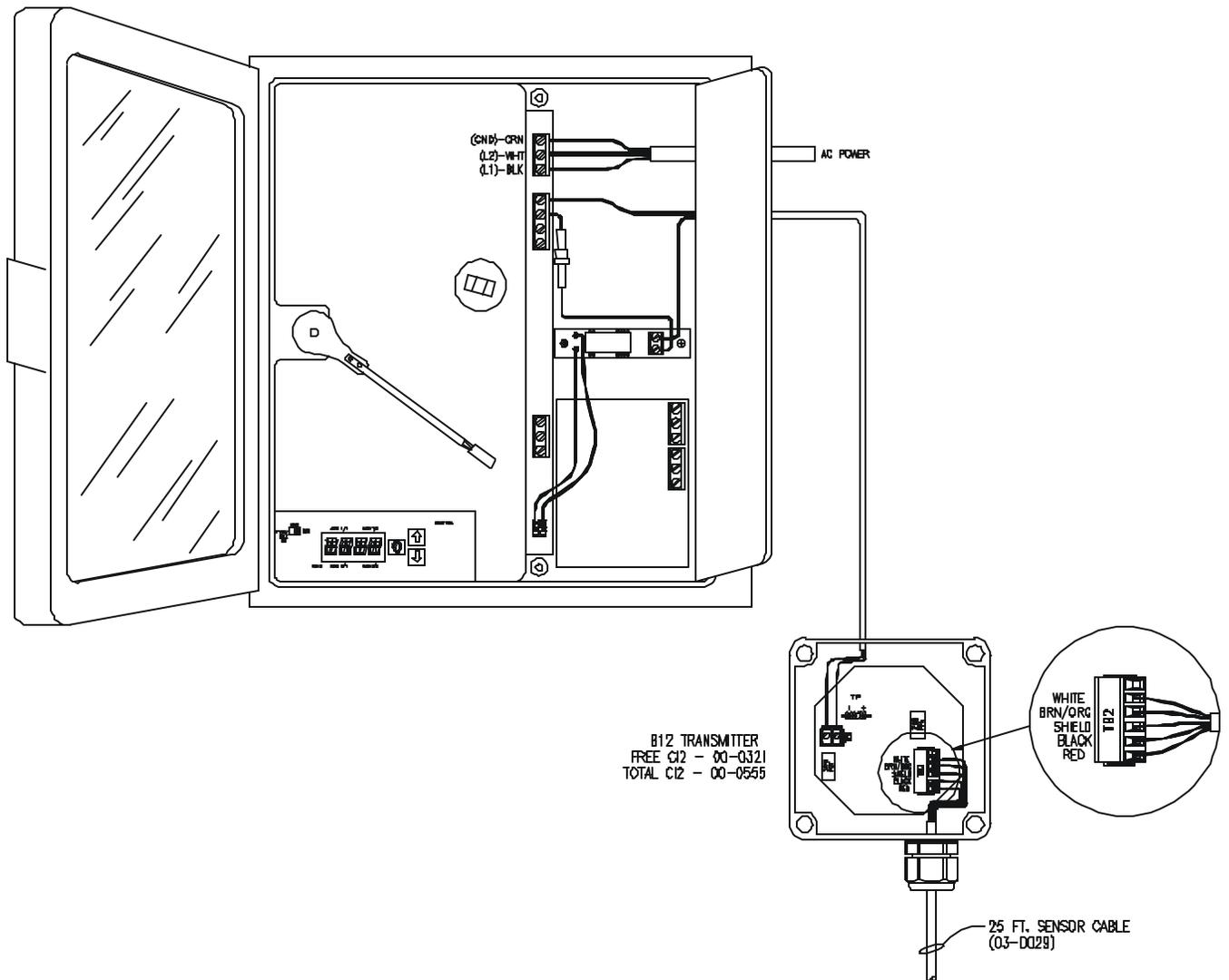
RECORDER WITH INTERNAL TRANSMITTER

00-1094 Free Cl₂ Recorder Assy
00-1095 Combined Cl₂ Recorder Assy



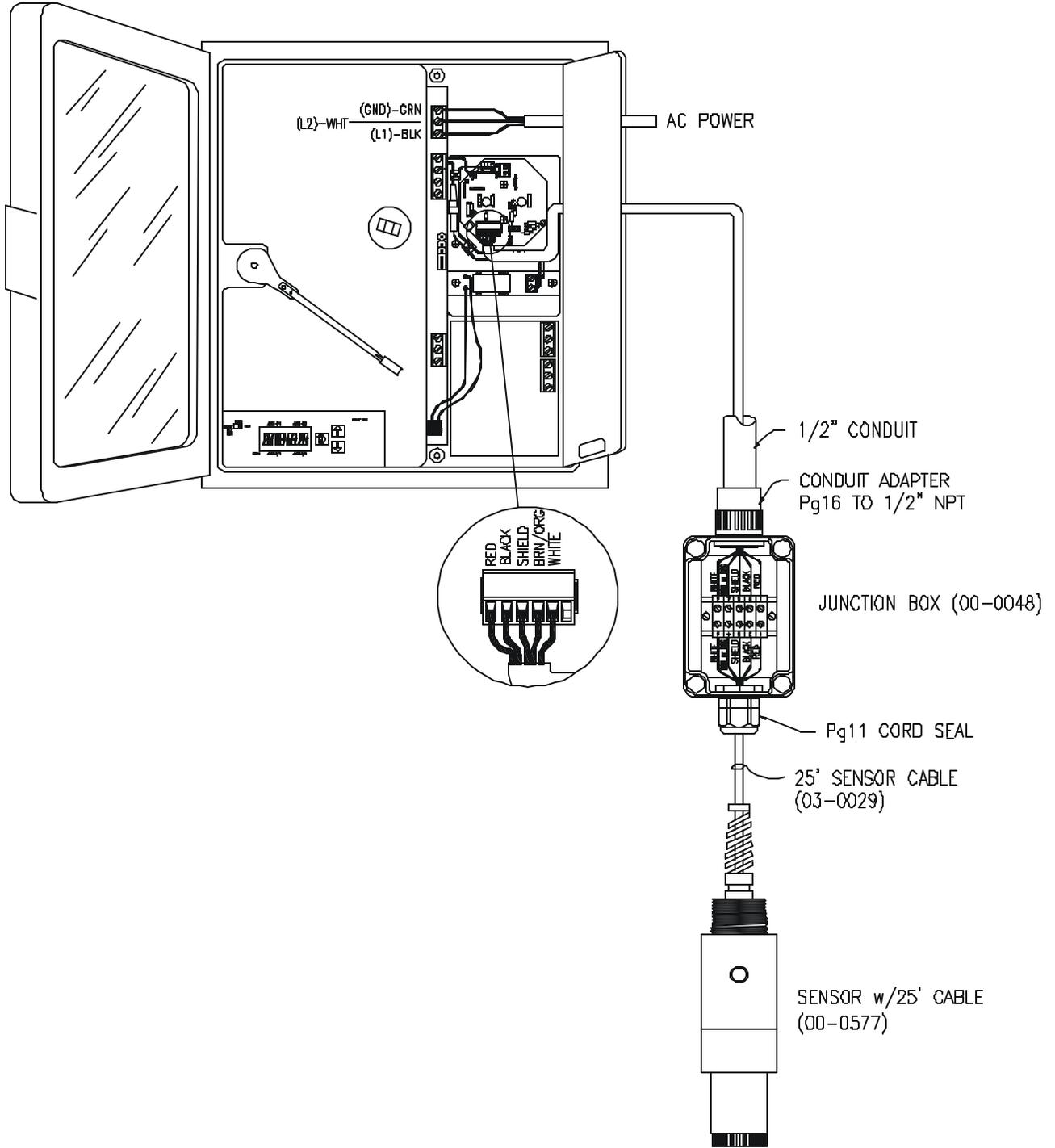
ATI-0134

RECORDER WITH EXTERNAL TRANSMITTER - (00-1096)



ATI-0135

RECORDER WITH JUNCTION BOX



ATI-0137