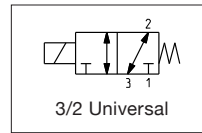


- Rocker isolation valves are designed for use with neutral or highly aggressive liquids in analytical instrumentation
- Special rocker mechanism, combined with a separating diaphragm, prevents heat transfer to the fluid and eliminates the sticking effect of the valve seat
- Hermetic separation of control mechanism prevents particulate contamination caused by friction of moving parts, assuring maximum purity of liquid samples
- Excellent self-draining capability and easy-to-flush low-volume internal cavity make these valves ideal in application where cross-contamination must be minimized
- Removable and rotatable electrical coils allow for easy installation and worry-free maintenance
- Meets all relevant CE directives
- Typical applications include:
 - In-vitro Diagnostics
 - Hematology
 - DNA Sequencing
 - Surgical Fluid Management



| Fluids* | Temperature Range | Seal Materials* |
|------------------|-----------------------------------|--|
| Liquids or Gases | -10 °C to 80 °C (14 °F to 176 °F) | FFKM (perfluoroelastomer) EPDM (ethylene-propylene) |

* Ensure that the compatibility of the fluids in contact with the materials is verified

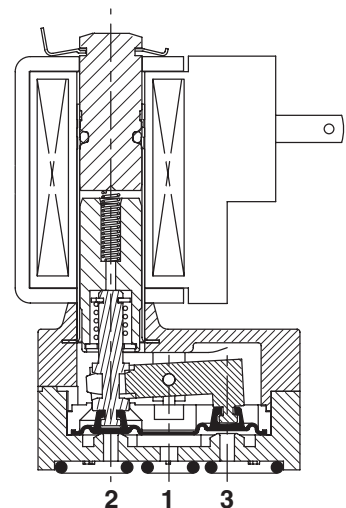
| General Valve Information | | |
|---------------------------|-----------------------------|-----------------------------|
| | PEEK Body | PA Body |
| Body | PEEK | PA (polyamide 12) |
| Mounting Pad | PEEK | PA |
| Diaphragm and Discs | FFKM | EPDM |
| Mounting Pad Seal | FFKM | EPDM |
| Response Time | < 20ms | < 20ms |
| Internal Volume | 67µl | 67µl |
| Max. Viscosity | 37 cSt (mm ² /s) | 37 cSt (mm ² /s) |

| Electrical Characteristics | |
|---------------------------------|---|
| Coil Insulation Class | F |
| Coil | Two spade terminals 2.8 x 0.5mm (0.11 x 0.02in) [DIN 46340] [or detachable size 15 connector] |
| Electrical Enclosure Protection | IP40 (EN 60529) |
| Standard Voltages ¹ | 12 VDC, 24 VDC |

¹ Other voltages on request

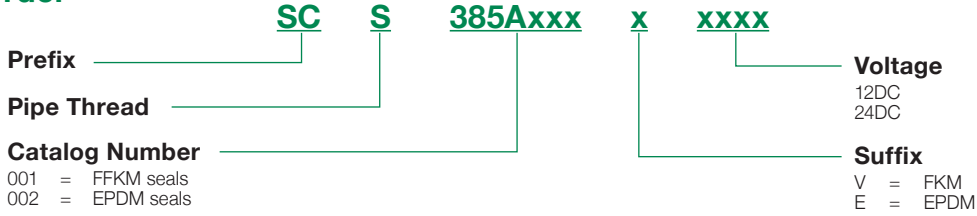
| Prefix Option | Power Ratings | | | | Ambient Temperature Range | Replacement Coil | | Type ¹ (DNX-4) |
|---------------|---------------|---------|----------|----|---------------------------|------------------|----------|---------------------------|
| | Inrush | Holding | Hot/Cold | | | 12 VDC | 24 VDC | |
| | | | VA | VA | | | | |
| SC | - | - | - | 4 | -10 to 60 (14 to 140) | 43005268 | 43005269 | 01 |

¹ Refer to the dimensional drawings on the following page



| Specifications | | | | | | | | | | | |
|---|--------------|------------------|-------|---------------------------------|------------|------------|---|------------|----------------|---------|------|
| Connection | Orifice Size | Flow Coefficient | | Pressure Differential bar (psi) | | | | Power Coil | Catalog Number | Options | |
| | | Kv (m3/h) | Cv | min. | max. | | W | | | FKM | EPDM |
| | | | | | gases | liquids | | | | | |
| 3/2 U - Universal, PEEK Body, FFKM Seals | | | | | | | | | | | |
| Pad Mount | 1.5 (0.06) | 0.03 | 0.035 | 0 | 2.4 (34.8) | 2.4 (34.8) | - | 4 | SCS385A001 | V | E |
| 3/2 U - Universal, PA Body, EPDM Seals | | | | | | | | | | | |
| Pad Mount | 1.5 (0.06) | 0.03 | 0.035 | 0 | 2 (29) | 2 (29) | - | 4 | SCS385A002E | - | - |

How to Order



Dimensions: mm (inches)

Dimensional Drawings

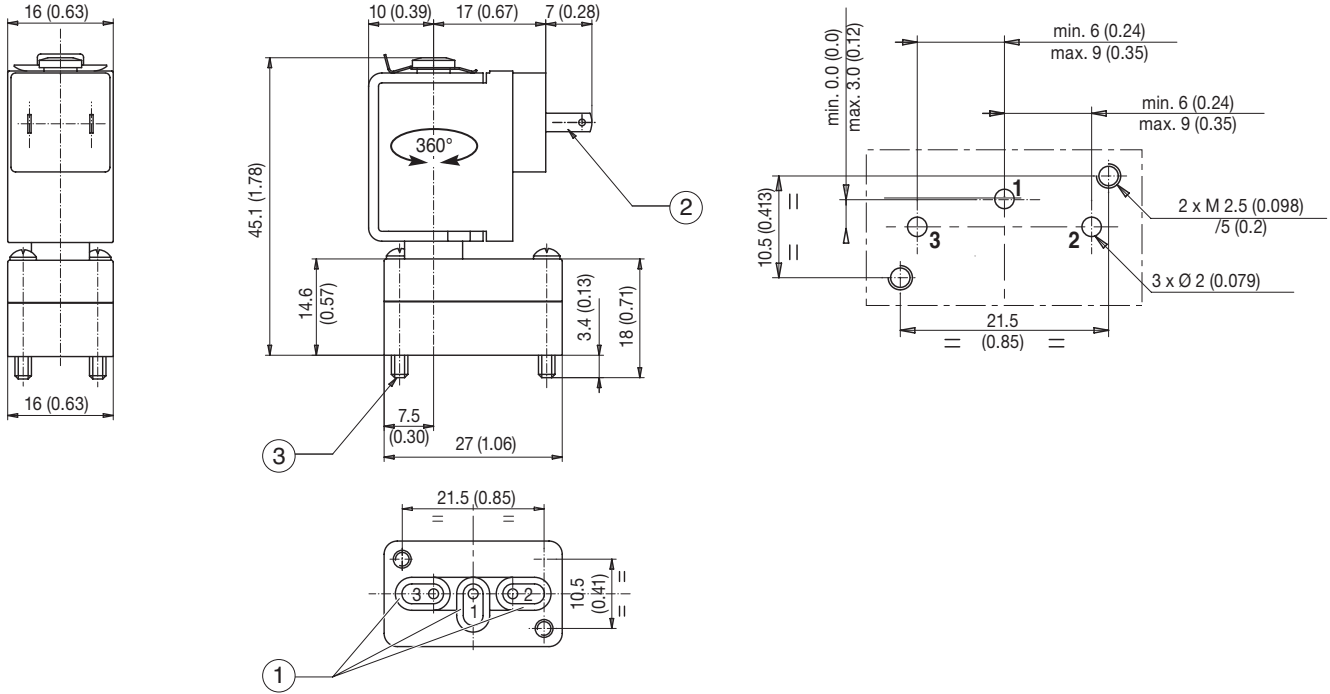
Type 01

Prefix "SC" solenoid
ISO 43340



SCS385A001/A002E

Mounting Pad



| Type | Prefix Option | Weight ¹ |
|------|---------------|---------------------|
| | | kg |
| 01 | SC | 0.04 |

¹ Including coil, without connector

- ① 1 Mounting Pad Seal
- ② Coil with 2 Faston-type terminals 2.8 x 0.5 (DIN 46340)
- ③ Mounting: 2 screws M2.5 x 18

Options

- Valves can also be supplied with FKM (fluoroelastomer) and EPDM (ethylene-propylene) seals and diaphragm. Use the appropriate optional suffix letter for identification
- Leaded coil
- Power-save version
- Connector size 15, catalog number: **88143581**

Installation

- The solenoid valves can be mounted in any position without affecting operation
- Can be used for the following functions, depending on how the ports are connected:

