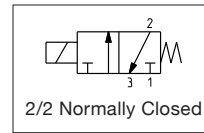


- Bellows system isolation valves designed for use with aggressive and corrosive liquids and gases in analytical instrumentation and the chemical manufacturing industries
- Large orifice sizes make these valves ideal for high flow-rate and high pressure applications
- Ideally suited for quickly flushing systems of corrosive media and routing aggressive reagents to chemical reaction vessels and waste containers
- Available in both 3-Way normally closed, normally open and universal versions; each with multiple connection options
- Meets all relevant CE directives, and is RoHS compliant
- Typical applications include:
 - Raw-material Chemical Manufacturing
 - Chip/Wafer Manufacturing
 - Pharmaceutical
 - Waste Water Treatment

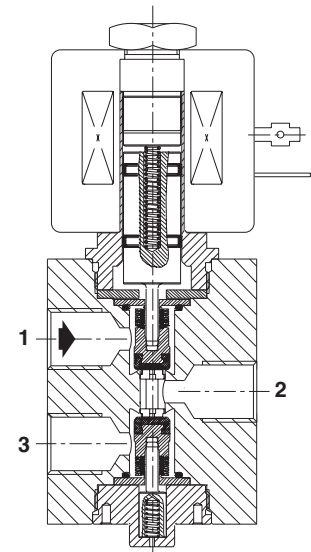


Fluids*	Temperature Range	Seal Materials*
Air, Inert Gases, Water, Oil or Liquids	10 °C to 90 °C (50 °F to 194 °F)	FFKM (perfluoroelastomer)

* Ensure that the compatibility of the fluids in contact with the materials is verified

Materials in Contact with Fluid	
Body	PEEK or Stainless Steel, AISI 303 (1.4305)
Others	Stainless Steel
Seals	FFKM
Bellows	PTFE
Max. Viscosity	40 cSt (mm ² /s)

Electrical Characteristics	
Coil Insulation Class	F
Connector	Spade plug (cable Ø6-10mm)
Connector Specification	ISO 4400/EN 175301-803, form A
Electrical Safety	IEC 335
Electrical Enclosure Protection	Molded IP65 (EN 60529)
Standard Voltages	24 VDC

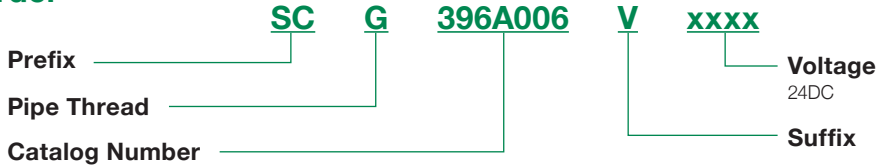


Prefix Option	Power Ratings				Ambient Temperature Range °C (°F)	Replacement Coil		Type ¹
	Inrush	Holding	Hot/Cold			-	24 VDC	
	VA	VA	W	W				
SC	-	-	-	9/11.2	-10 to 75 (14 to 167)	-	400425-142	01

¹ Refer to the dimensional drawings on the following page

Specifications												
Connection	Orifice Size	Flow Coefficient		Pressure Differential bar (psi)			Power Coil	Catalog Number		Options		
		Kv (m ³ /h)	Cv	min.	max.			PEEK	Stainless Steel	FKM	EPDM	
G	mm (inches)				air, inert gases,	liquids	W					
2/2 NC - Normally Closed												
1/4	4 (0.157)	0.26	0.30	0	3 (43.5)	3 (43.5)	-	11.2	SCG396A006	SCG396A003	V	E

How to Order



Dimensions: mm (inches)

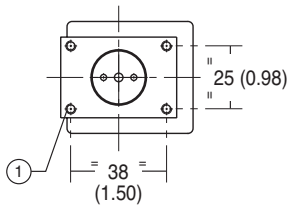
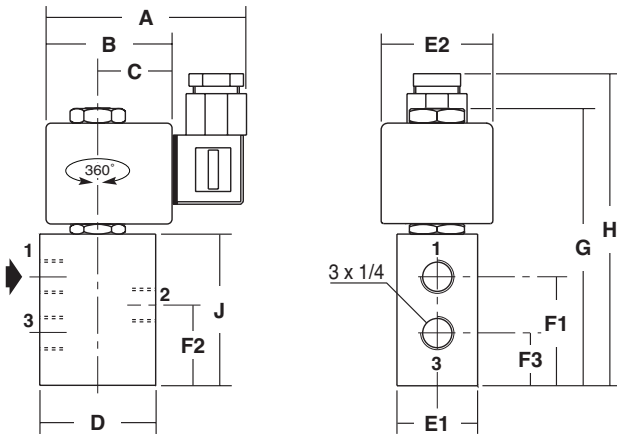
Dimensional Drawings

Type 01

Prefix "SC" solenoid
ISO 4400



PEEK: SCG396A006
PPS: SCG396A003



① 4 Mounting holes ØM4, depth 8mm (0.315in)

Type	Prefix Option	Catalog Number	A	B	C	D	E1	E2	F1	F2	F3	G	H	J	Weight ¹
															kg
01	SC	SCG396A006	80	50	30	46	32	45	43	32	21	110	127	60	0.49
		SCG396A003	(3.15)	(1.97)	(1.18)	(1.81)	(1.26)	(1.77)	(1.70)	(1.26)	(0.83)	(4.33)	(5)	(2.36)	0.90

¹ Including coil(s) and connector(s)

Options

- Valves can also be supplied with FKM (fluoroelastomer) and EPDM (ethylene-propylene) seals. Use the appropriate optional suffix letter for identification
- Plug with visual indication and peak voltage suppression or with cable length of 2m (78.7in)

Installation

- The solenoid valves can be mounted in any position without affecting operation. However, for optimum performance it is recommended that they be fitted with the solenoid operator at the top
- Solenoid valves have 4 mounting holes in body
- Pipe connection identifier is G = G (ISO 228/1)