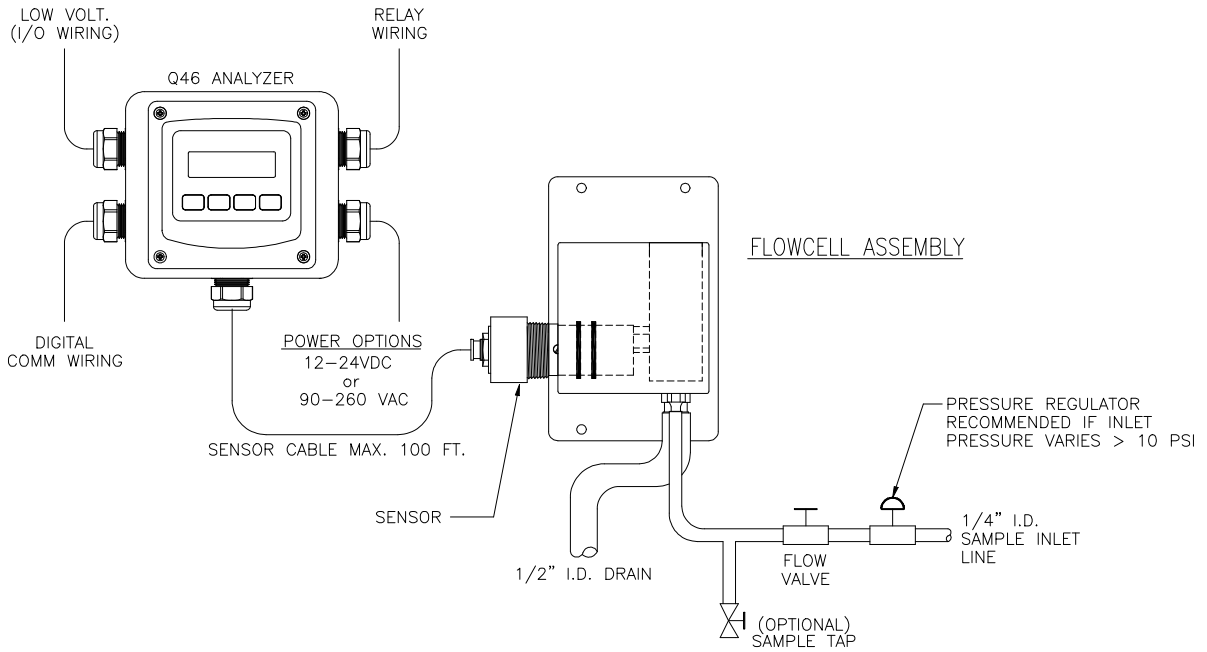
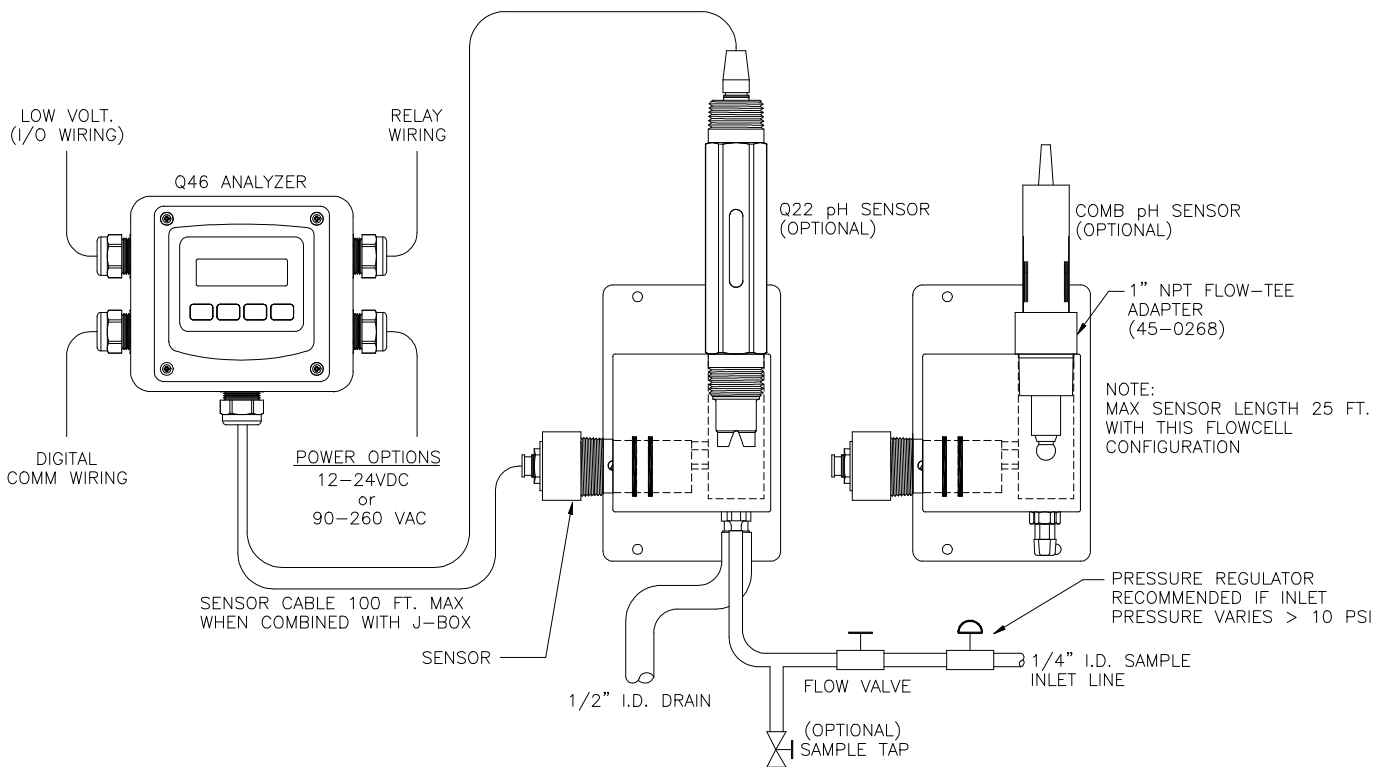


**STANDARD SYSTEM DIAGRAM**



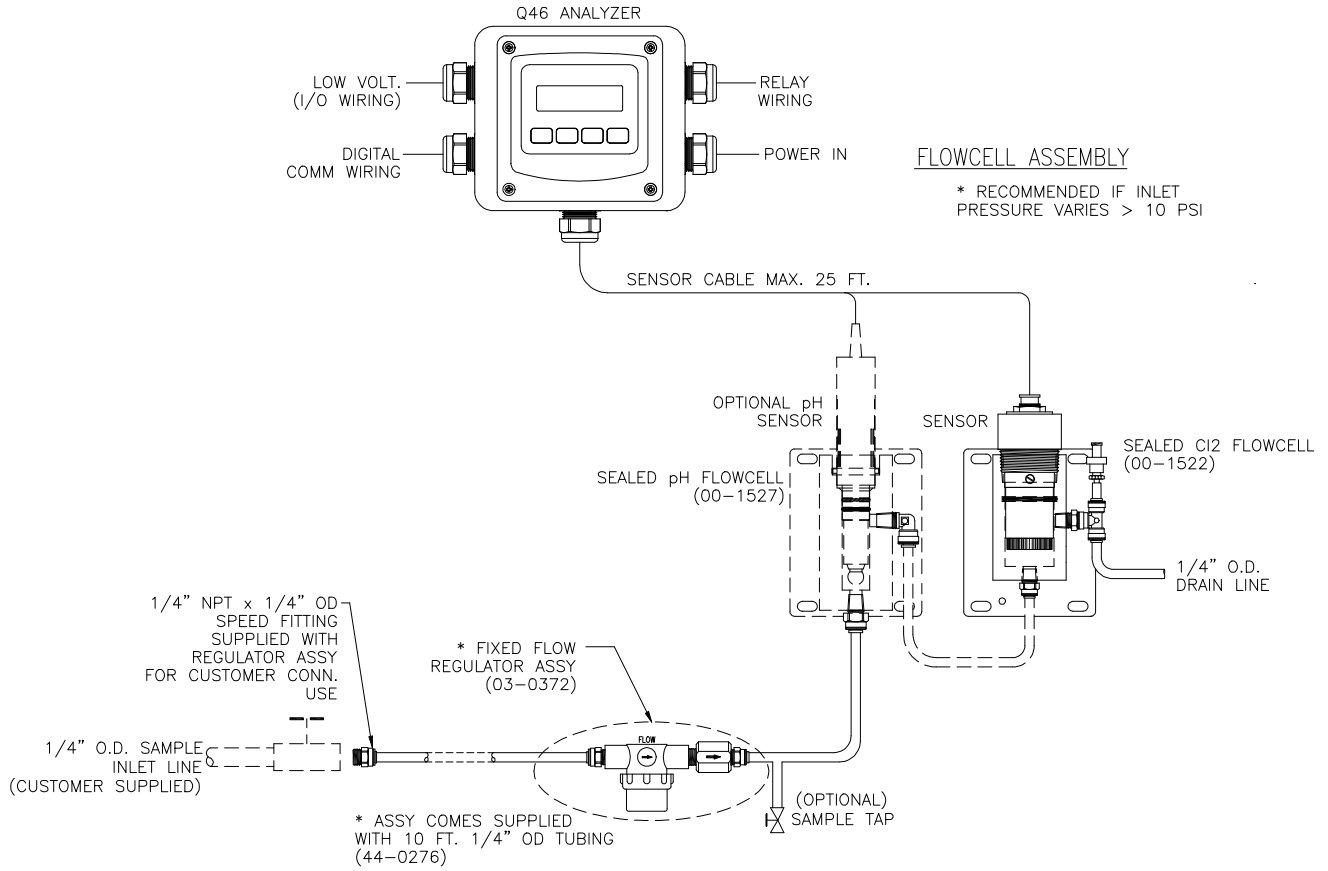
ATI-0922

**SYSTEM DIAGRAM w/OPTIONAL pH SENSOR**



ATI-0923

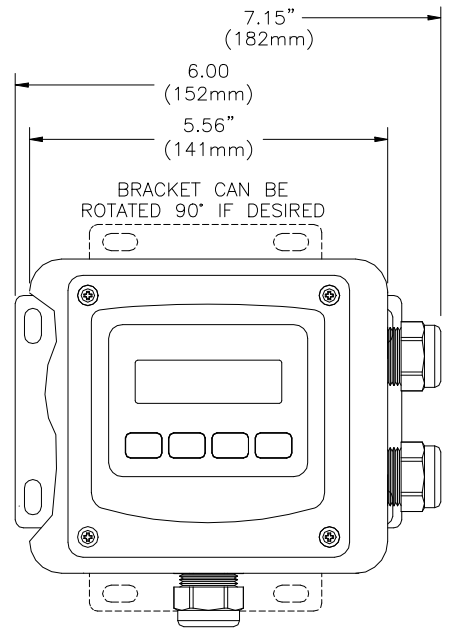
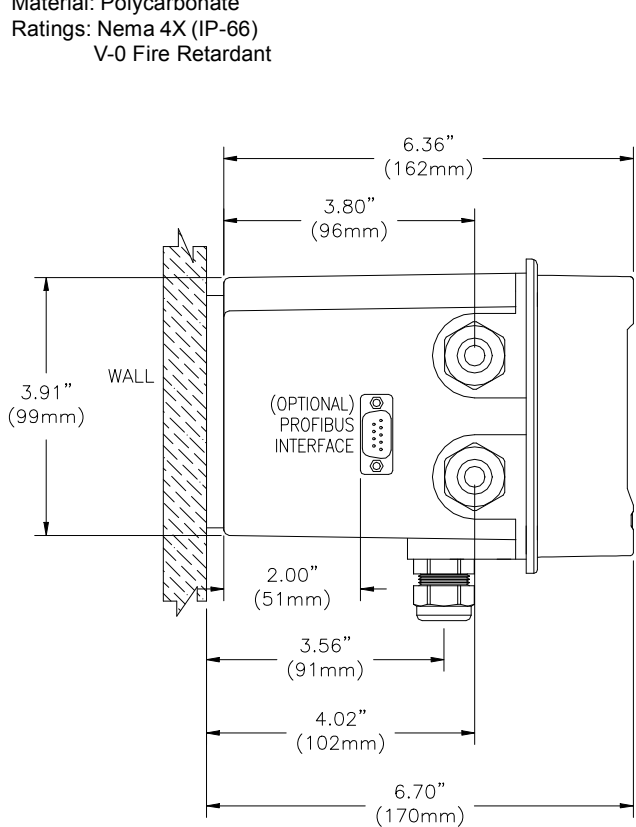
**SYSTEM DIAGRAM w/SEALED FLOWCELLS**



ATI-0924

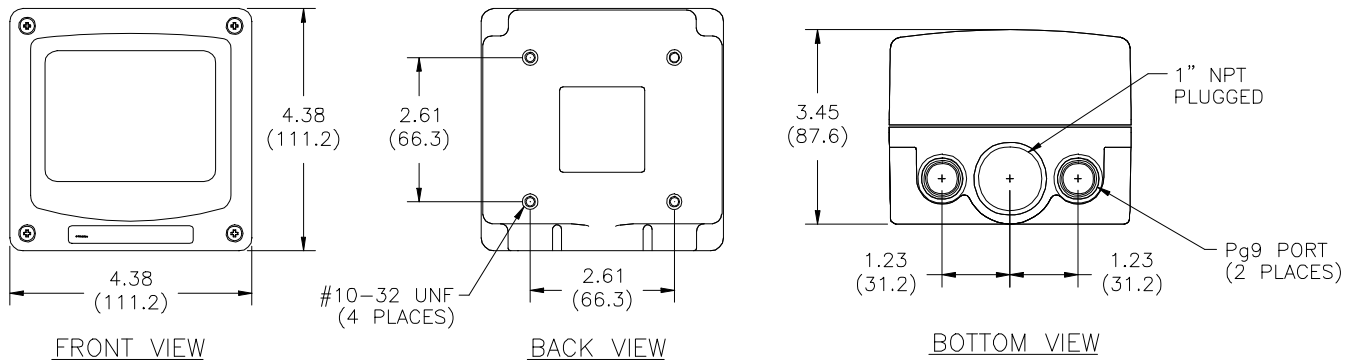
**ANALYZER DIMENSIONS (WALL MOUNT SHOWN)**

Material: Polycarbonate  
 Ratings: Nema 4X (IP-66)  
 V-0 Fire Retardant



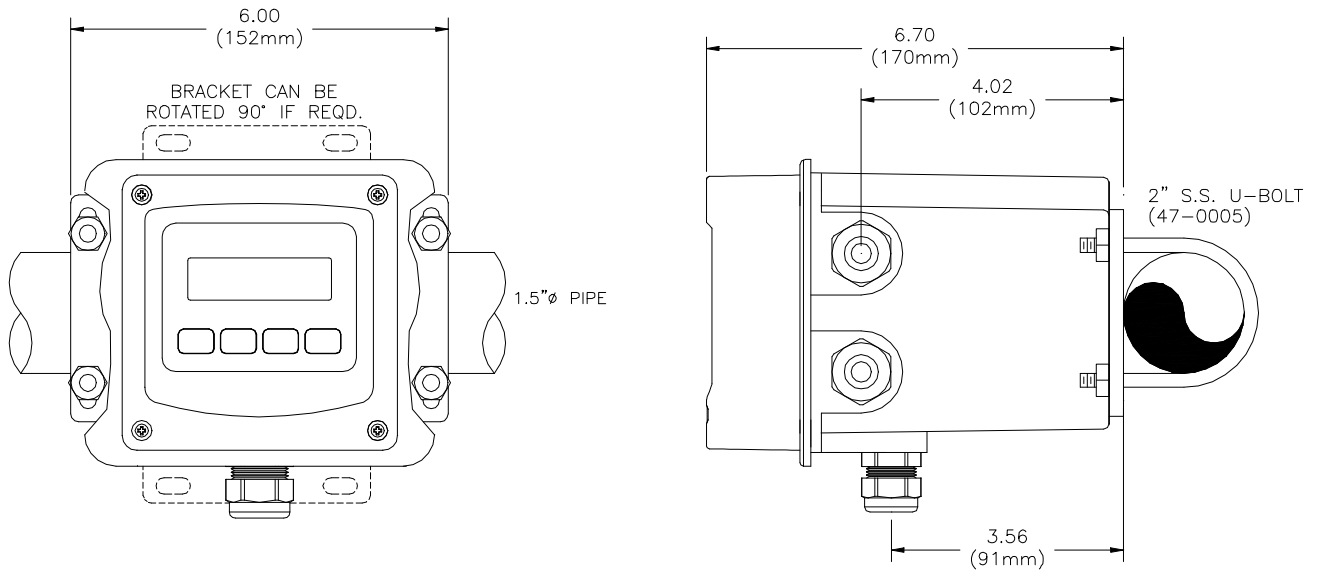
ATI-0926

**JUNCTION BOX**



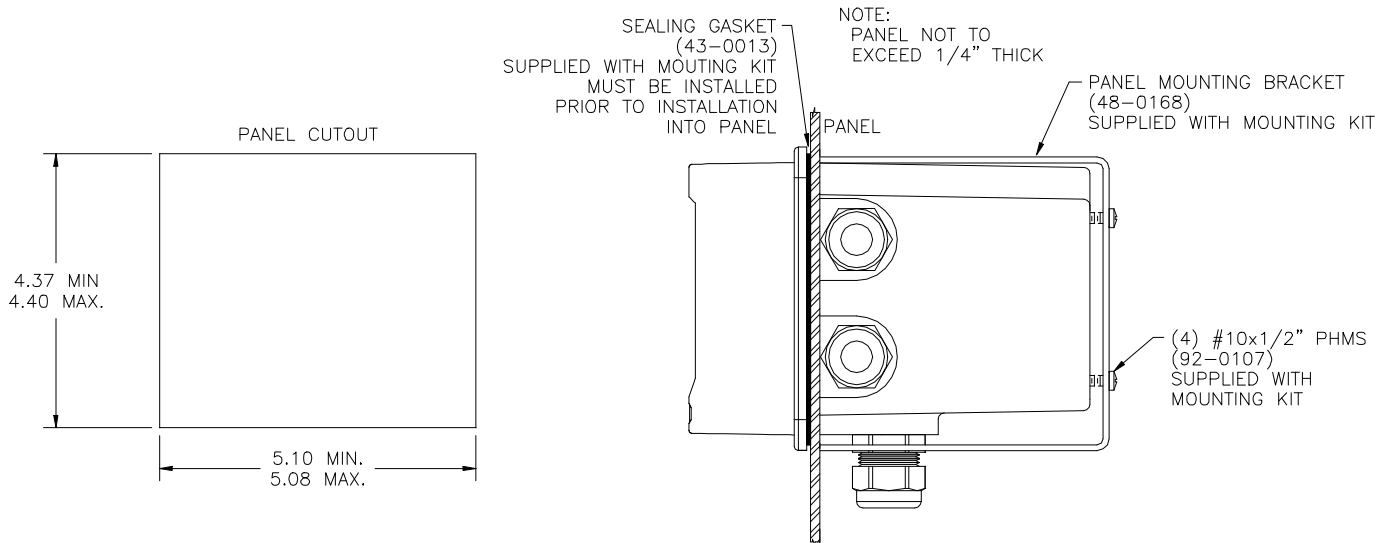
ATI-0655

**PIPE MOUNTING**



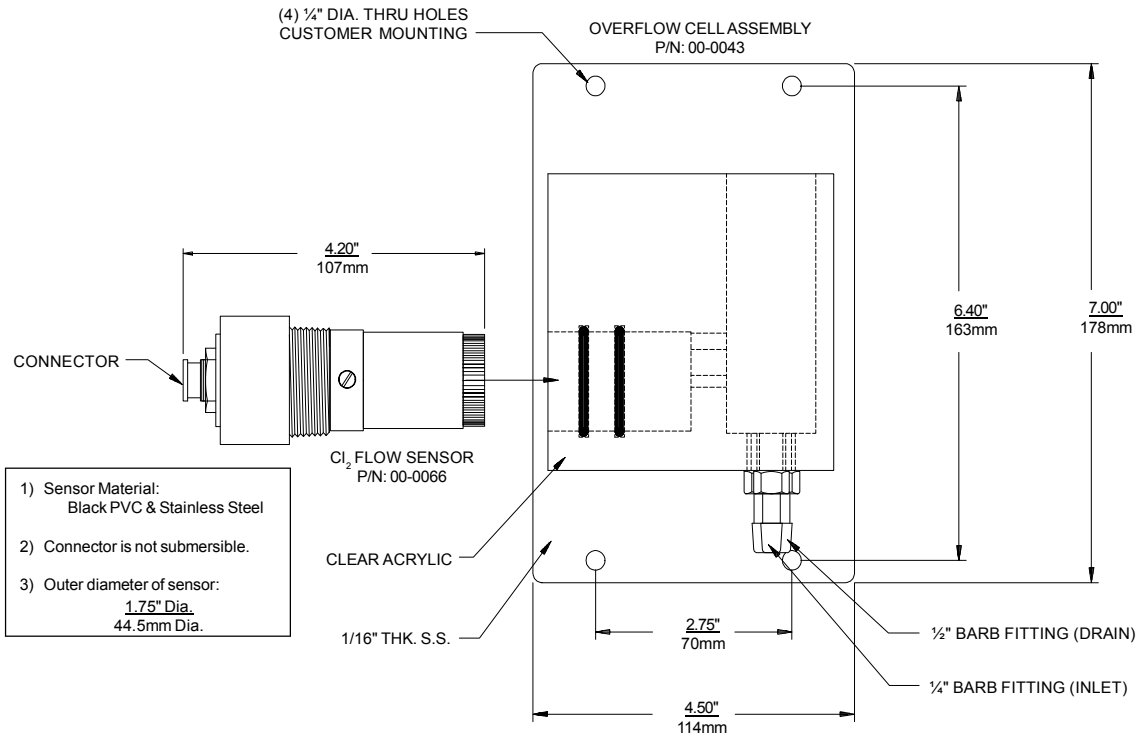
ATI-0927

**PANEL MOUNTING DIAGRAM**



ATI-0928

**FLOW SENSOR DIMENSIONS & OVERFLOW CELL INSTALLATION**

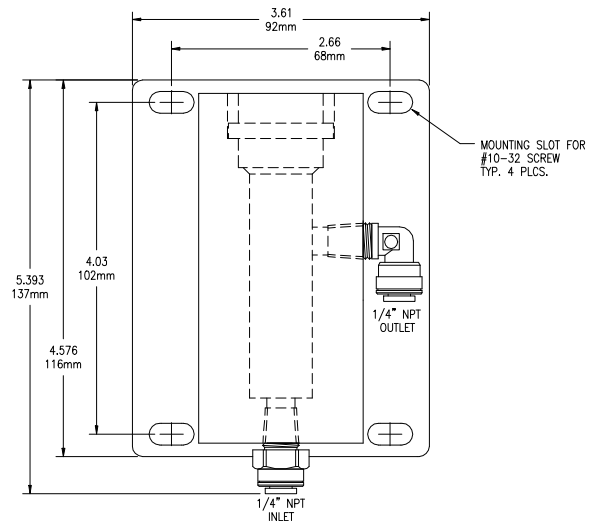
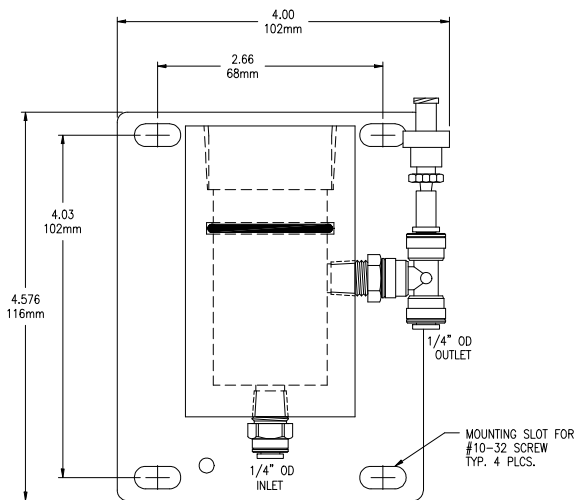


ATI-0196

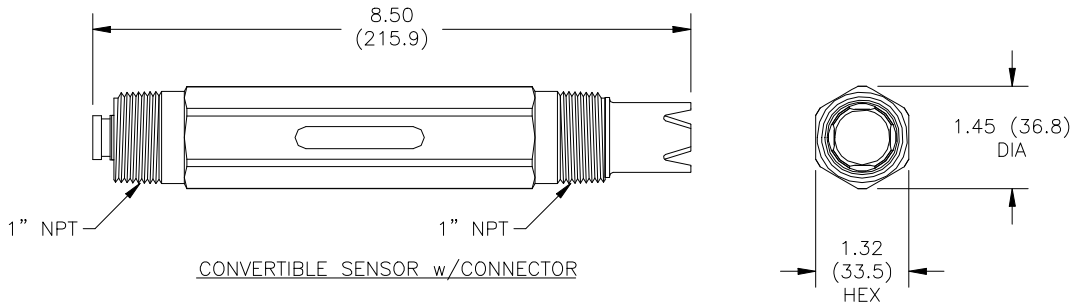
**CI<sub>2</sub> SEALED FLOWCELL ASSEMBLY (00-1522)**

**pH SEALED FLOWCELL ASSEMBLY (00-1527)**

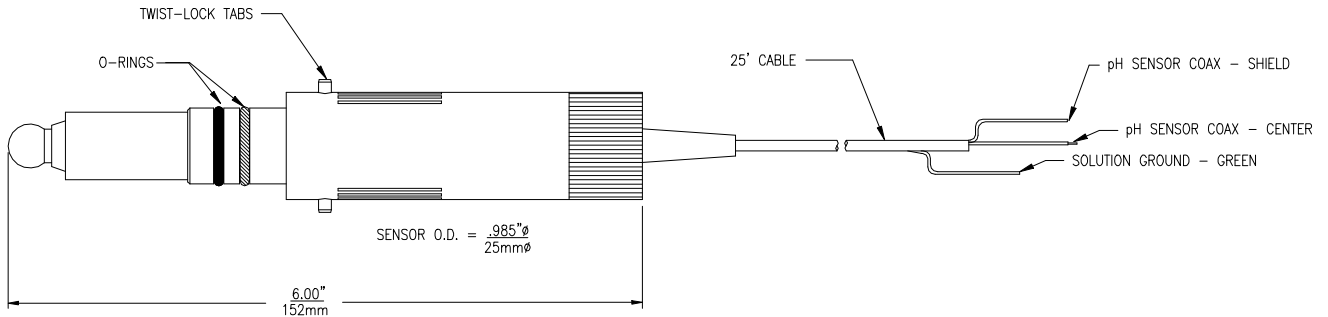
Material: Acrylic  
Mounting Plate: PVC



**(07-0096) pH SENSOR DIMENSIONS**

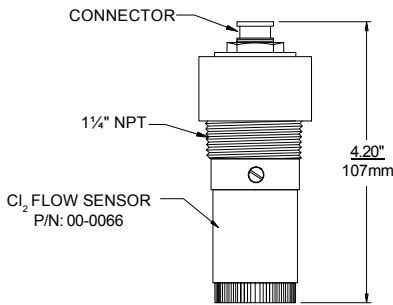


**(63-0101) pH SENSOR DIMENSIONS**

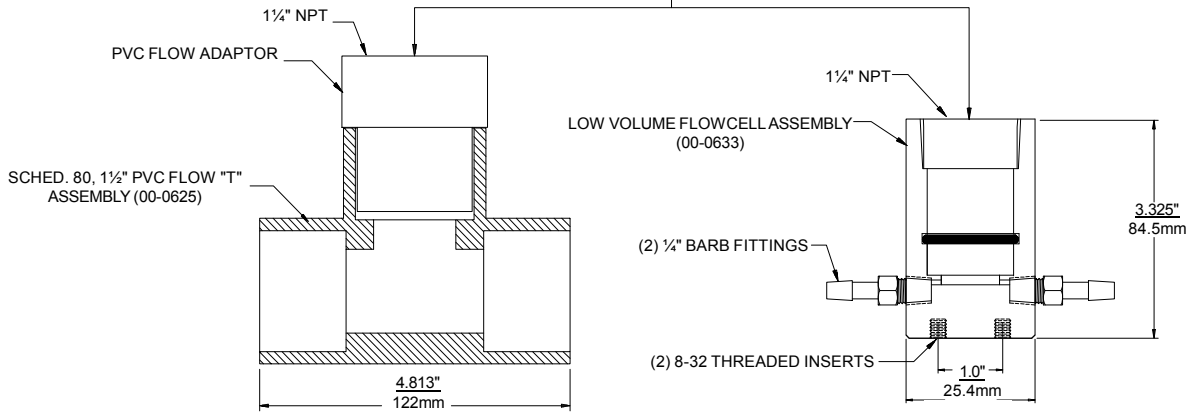


**SPECIAL APPLICATION FLOWCELLS (CONSULT FACTORY)**

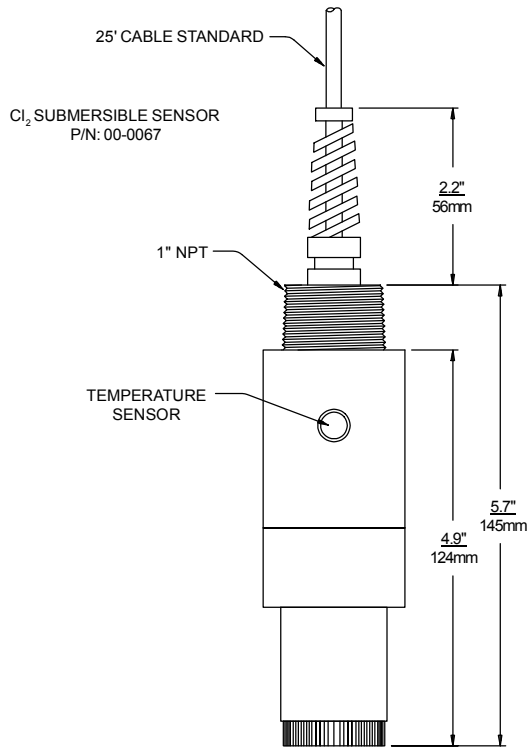
- 1) Sensor Material: Black PVC & Stainless Steel
- 2) Connector is not submersible.
- 3) Outer diameter of sensor: 1.75" Dia. 44.5mm Dia.



- Flow "T":
- 1) Max. 50 PSI for Flow "T" operation.
  - 2) Use Teflon tape to seal In-Line Sensor.
- Low Volume Flowcell:
- 1) Material: Clear Acrylic

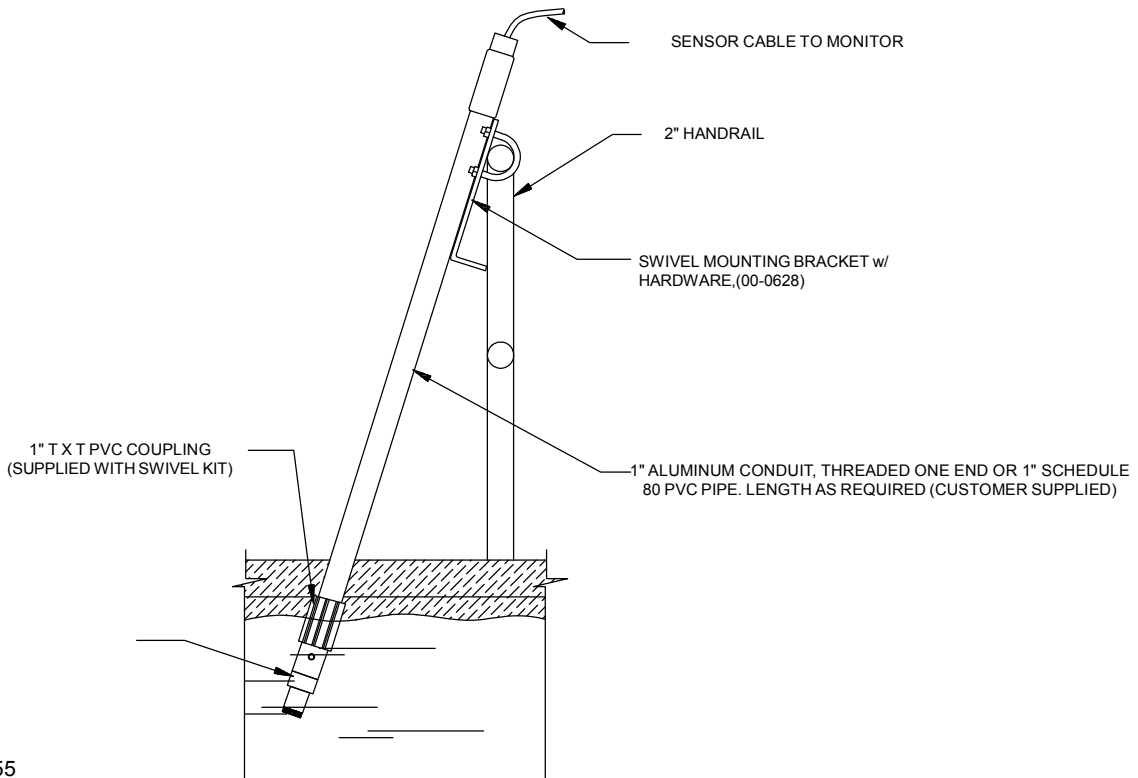


**SUBMERSIBLE SENSOR DIMENSIONS**



ATI-004

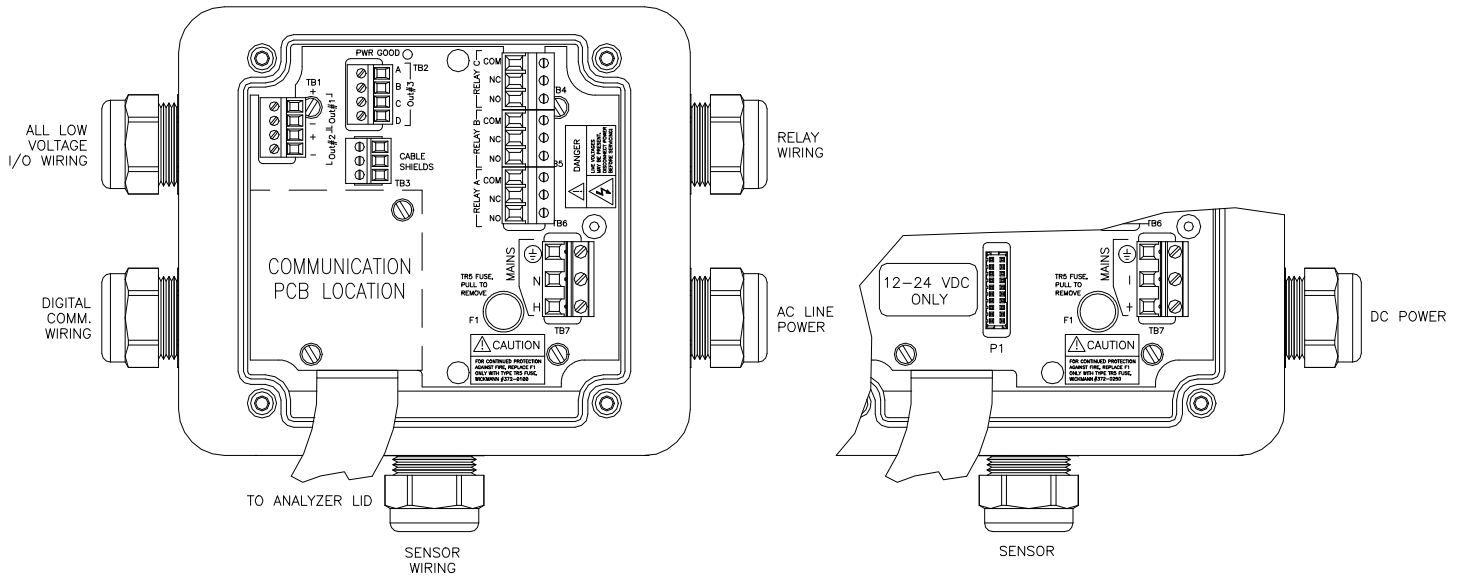
**SUBMERSIBLE SENSOR INSTALLATION**



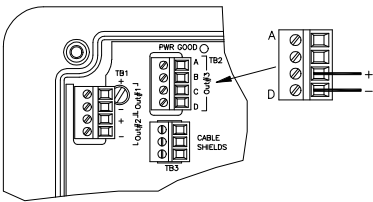
ATI-0155

**POWER, RELAY, AND OUTPUT CONNECTIONS**

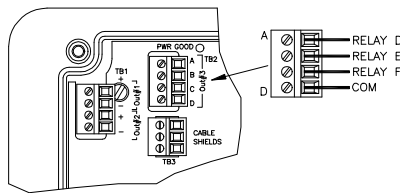
ATI-0930,  
0932, 0933, 0989



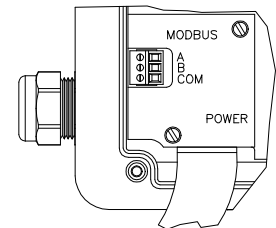
Optional Analog Output Wiring



Optional Relay Board Wiring (30V Max.)

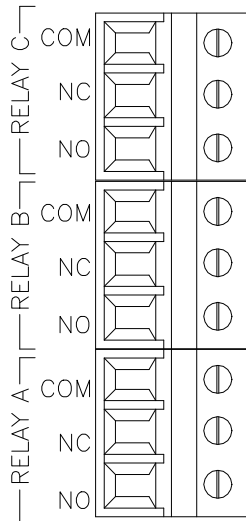


MODBUS Communication

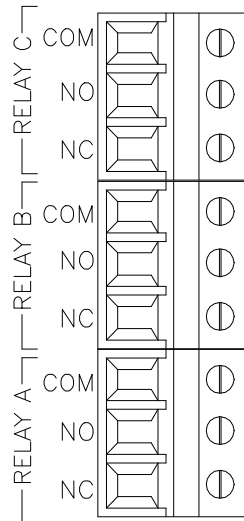


**RELAY WIRING TB4,5,6 DETAIL**

FACTORY DEFAULT (NORMAL MODE)



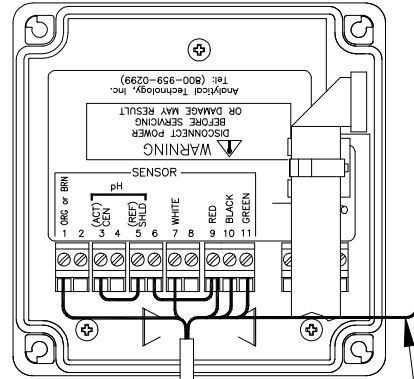
(FAILSAFE MODE)





**ELECTRICAL CONNECTIONS**

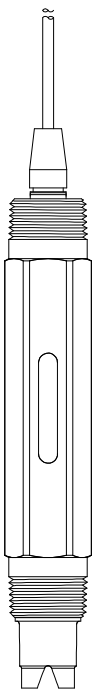
Remove jumpers 3-5 & 6-9  
if pH sensor is connected



\*CONNECT SHIELD TO T/B LABELED "CABLE SHIELDS" LOCATED ON P/S PCB INSIDE OF ENCLOSURE

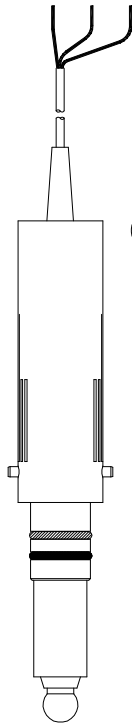
Q22P SENSOR  
(07-0096)

- RED - 3
- BLACK - 5
- SHIELD - \*

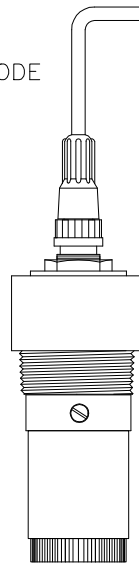


ATI COMBINATION ELECTRODE  
(63-0101)

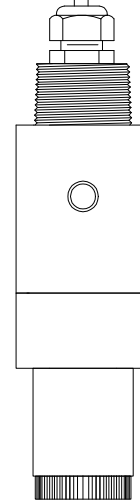
- CENTER COND. - 3
- SHIELD (BRAID) - 5
- GREEN - 7



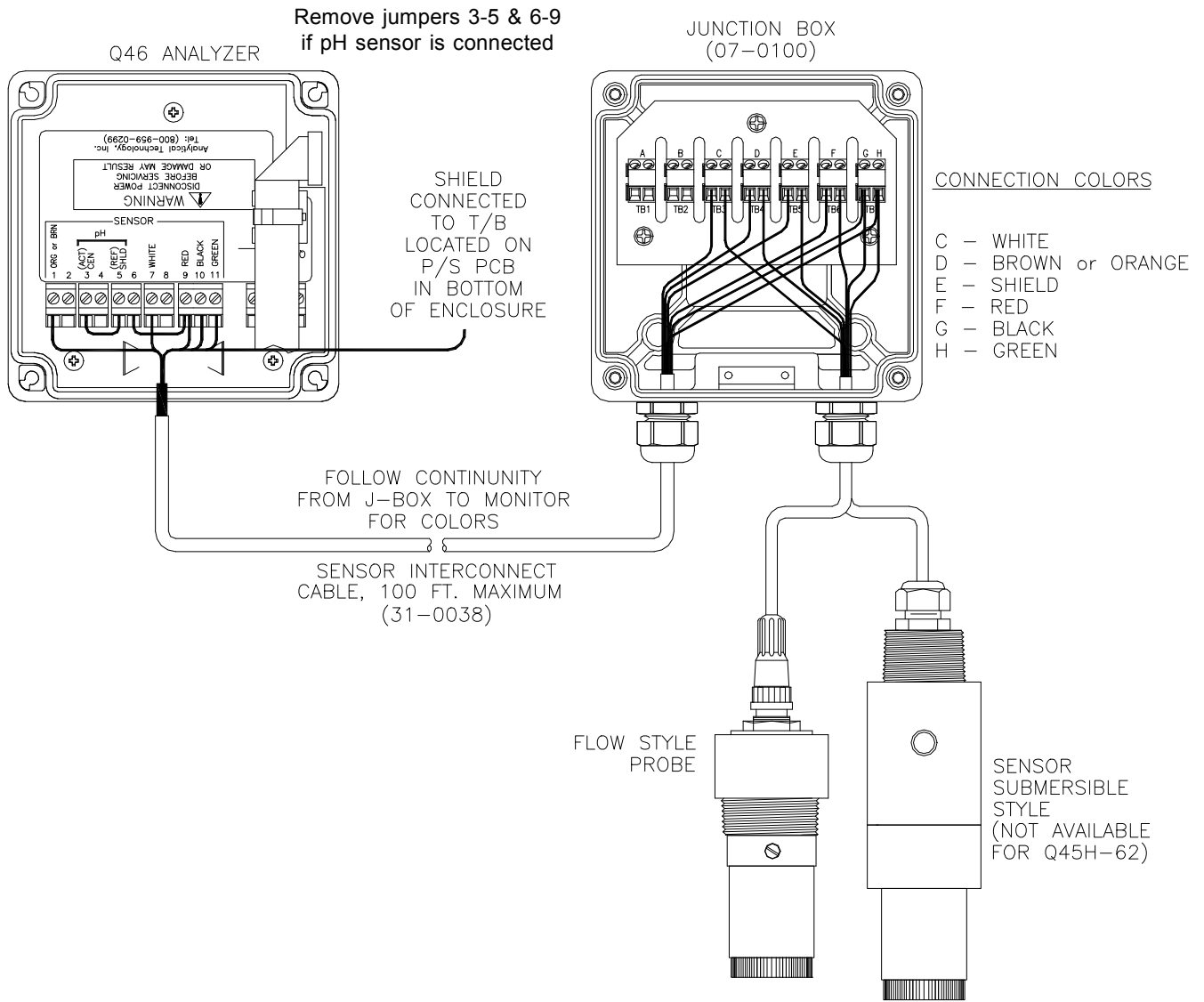
FLOW STYLE  
PROBE



SENSOR  
SUBMERSIBLE  
STYLE  
(NOT AVAILABLE  
FOR Q45H-62)



**SENSOR CONNECTIONS - REMOTE JUNCTION BOX**



ATI-0934

**SENSOR CONNECTIONS - Cl<sub>2</sub>/pH WITH JUNCTION BOX**

**(63-0101) Bayonet Style pH Probe CANNOT be used in a remote application**

