

numatics®

ACCU Actuators

Position Feedback Actuators, Slides, Gantries and Accessories



www.numatics.com

Accu A Series

| | |
|---|--------------|
| Features and Benefits | 3 |
| Standard Mounts | 4 |
| How To Order | 5 |
| Standard and Optional Rod Ends | 6 |
| Male Coupling Rod Ends | 7 |
| X0 Mount – Basic No Mount | 8 |
| E3 Mount – Head Square Mount | 9 |
| E4 Mount – Cap Square Mount | 9 |
| X1 Mount – Extended Tie Rods - Both Ends | 10 |
| X2 Mount – Extended Tie Rods - Cap End | 11 |
| X3 Mount – Extended Tie Rods - Head End | 12 |
| F1 Mount – Head Rectangular Flange | 13 |
| F2 Mount – Cap Rectangular Flange | 14 |
| P2 Mount – Detachable Clevis | 15 |
| P4 Mount – Detachable Eye | 16 |
| S1 Mount – Angle Mount | 17 |
| S2 Mount – Side Lugs | 18 |
| S4 Mount – Bottom Tapped | 19 |
| SN Mount – Sleeve Nut | 20 |
| T1 Mount – Head Trunnion | 21 |
| T2 Mount – Cap Trunnion | 22 |
| T4 Mount – Intermediate Trunnion | 23 |
| Accessories | 24-25 |
| Accu A Series Piston Rod Assembly How To Order | 26 |
| Repair Kit How To Order | 27 |
| Seal Kit How To Order | 27 |
| Transducer Kit How To Order | 27 |
| ACCU M Series | 28-32 |
| Features and Benefits | 28 |
| How To Order | 29 |
| Cylinder Dimensions | 30 |
| Block Mount Cylinder Dimensions | 31 |
| Accessories | 31 |
| Transducer Kit How To Order | 32 |
| ACCU Slide Series Features and Benefits | 33 |
| ACCU Gantry Series Features and Benefits | 34 |

The **Accu A Series** is an aluminum NFPA Interchangeable cylinder line that contains an internal Linear Resistive Transducer (LRT). It is ideal for applications where traditional magnetic position sensing is not acceptable. Additionally, the Accu A Series is conducive where variations in cylinder stroke and speed are required or where an application calls for continuous position monitoring.

Tube

The tube is hard coat anodized on the I.D. The hard coating is an electro-chemical process, which produces a very dense surface of aluminum oxide. This surface has extreme hardness (60 RC.), excellent wear and corrosion resistance, and low coefficient of friction.

End Caps

The end caps are accurately machined from (6061-T6) solid aluminum bar stock. They are anodized for corrosion resistance. Additionally, a recess on the piston-mating surface (at both ends) enables the air to work on a larger piston area for effortless breakaway.

Rod Bushing

The ACCU Series includes a graphite filled, cast iron rod bushing that is extra long in length. Graphite filled offers the best bearing surface when using a hard chrome plated piston rod. Cast iron provides maximum resistance against wear. The added length adds superior alignment and support of the piston rod as well as provides maximum load bearing support.

Rod Seal

The carboxylated nitrile with PTFE compound rod seal is self-lubricating and durable. The rounded lip design ensures proper sealing and long life.

Rod Wiper

The standard rod wiper construction is a highly durable polyurethane.

Piston Rod

High strength steel (100,000 psi minimum yield) piston rod has a ground, polished, and chrome plated surface. This surface provides maximum life for both the rod bushing and the seals.

Bushing Retainer

The bushing retainer allows cartridge removal (cylinder repair) without complete disassembly.

Tie Rods

The tie rods are 100,000 psi minimum yield steel for maximum holding power. They are roll formed for superior strength and engagement.

Piston Seal

The piston seal is a low friction carboxylated nitrile seal. The carboxylated nitrile is a PTFE compound that is used for self-lubricating. The U-cup seals are pressure activated and wear compensating.

Wear Band

The wear band is a stable, lubricating strip located on the piston. We separate the load bearing points by locating the wear band at the rear of the piston. This maximizes column strength at full extension.

Piston

The solid aluminum alloy piston is strong and durable.

Cushion Seal

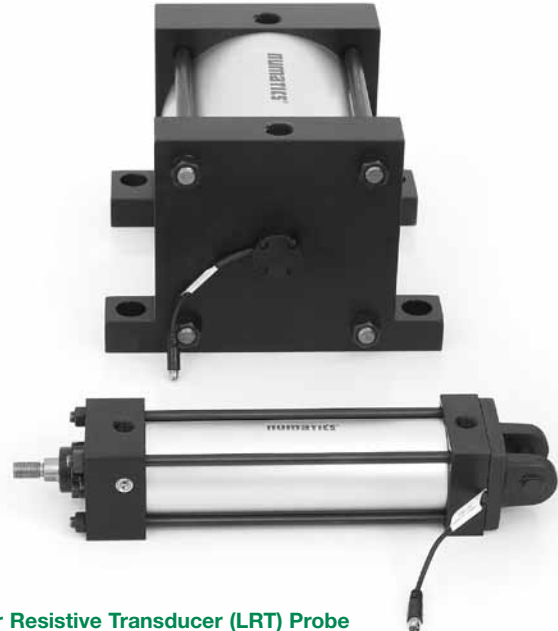
The floating cushion seal design enables rapid stroke reversal by providing instantaneous full flow to the piston. Each cushion has a flush, retained adjustment needle.

Tube End Seal

The tube end seals are compression type and reusable.

Ports

Our enhanced port design enables the cylinder to work more efficiently. Through the use of precise machining depths and tool shape, we are able to smooth the flow path into and out of the cylinder.



Linear Resistive Transducer (LRT) Probe

The LRT is an anodized aluminum probe with a reinforced threaded flange and thread seal. The probe processes infinite resolution, with a non-linearity of ± 1 percent of full stroke. Furthermore, the probe is rated for 10 million cycles. Typical probe input is 10VDC (maximum voltage is 28VDC and maximum current draw is less than 2mA), input impedance required is 1 Mohm. The probe temperature rating is -40° to 250° F. Maximum velocity is 50"/sec.

Linear Resistive Transducer (LRT) Wiper

The LRT wiper is precision molded assembly that is rated for more than 1000 linear miles of travel.

3 Pin Connector

The customer friendly connector is supplied as standard on all Accu A Series cylinders. The connector has a universal 8 mm, 3 pin, Nano male connection.

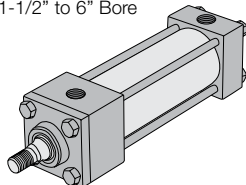
Standard Specifications:

- Meets NFPA mounting dimension specifications
- Bore sizes from 1-1/2" through 8"
- Piston rod diameters from 5/8" to 1-3/4"
- Cylinder maximum pressure rating is 100 psi air
- Standard temperature -10° F to 165° F
- Probe Standard Temperature -40° F to 250° F
- NPTF ports
- Multitude of mounting options
- Continuous position sensing
- Easily repairable
- Extremely accurate:
 - Infinite resolution, linearity of ± 1 percent of full stroke,
 - $\pm .001$ " mechanical repeatability
- Electronic controllers available for dual set points and scalable analog output applications
- Quick connect (IP65) standard on all models

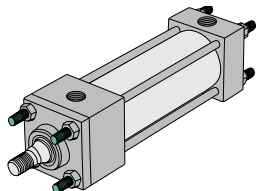
Standard ACCU A Series Mounts

Centerline Mounts

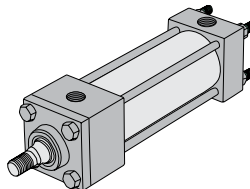
X0 Mount
Basic No Mount
1-1/2" to 6" Bore



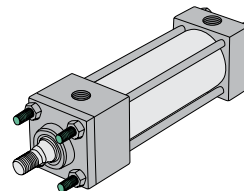
X1 Mount
Extended Tie Rods – Both Ends



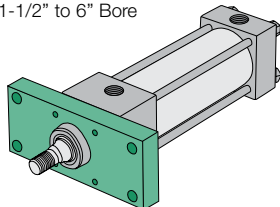
X2 Mount
Extended Tie Rods – Cap End



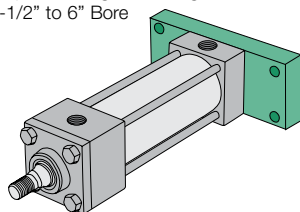
X3 Mount
Extended Tie Rods – Head End



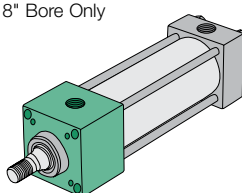
F1 Mount
Head Rectangular Flange
1-1/2" to 6" Bore



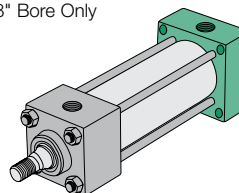
F2 Mount
Cap Rectangular Flange
1-1/2" to 6" Bore



E3 Mount
Head Square
8" Bore Only

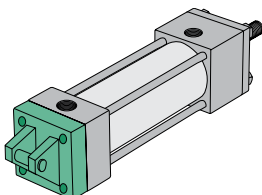


E4 Mount
Head Square
8" Bore Only

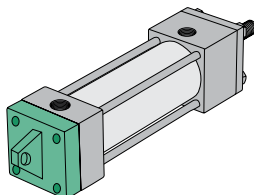


Pivot Mounts

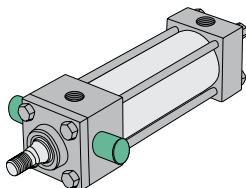
P2 Mount
Detachable Clevis



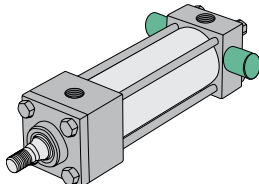
P4 Mount
Detachable Eye



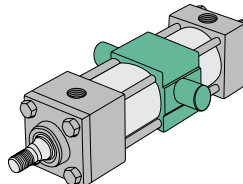
T1 Mount
Head Trunnion



T2 Mount
Cap Trunnion

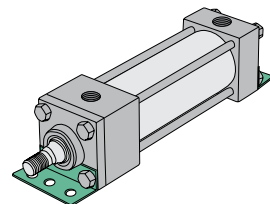


T4 Mount
Intermediate Trunnion

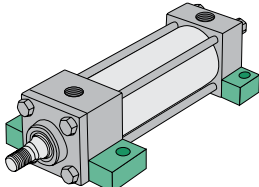


Foot Mounts

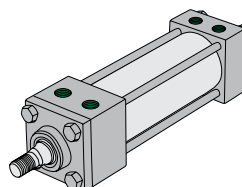
S1 Mount
Angle Mount



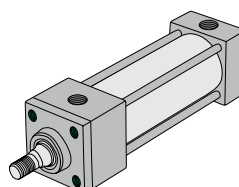
S2 Mount
Side Lugs



S4 Mount
Bottom Tapped



SN Mount
Sleeve Nut



How to Order

X0 AAS K - 01 A 3 C - F AA 2 - 4

Mount

- X0* = Standard No Mount
- X1 = Extended Tie Rods Both Ends
- X2 = Extended Tie Rod Cap End
- X3 = Extended Tie Rod Head End
- F1* = Front Flange
- F2* = Rear Flange
- E3** = Head Square Flange
- E4** = Cap Square Flange
- P2 = Detachable Clevis
- P4 = Detachable Eye
- T1 = Head Trunnion
- T2 = Cap Trunnion
- T4*** = Mid Trunnion
- S1 = Angle Mount
- S2 = Side Lug Mount
- S4 = Bottom Tapped
- SN* = Sleeve Nut
- * 1-1/2" - 6" bores
- ** 8" bore only
- ***Must specify XI dimension

Type

AAS = ACCU A Series

Bore

- K = 1-1/2" R = 4"
- L = 2" T = 5"
- M = 2-1/2" U = 6"
- P = 3-1/4" W = 8"

Standard Full Inches of Stroke

- 01 = 1" Stroke
- 02 = 2" Stroke
- 03 = 3" Stroke
- 04 = 4" Stroke
- 06 = 6" Stroke
- 08 = 8" Stroke
- 12 = 12" Stroke
- 18 = 18" Stroke (maximum)

Note: Non-standard stroke lengths increase lead time.

Fractional Inches of Stroke

- A = 0" I = 1/2"
- B = 1/16" J = 9/16"
- C = 1/8" K = 5/8"
- D = 3/16" L = 11/16"
- E = 1/4" M = 3/4"
- F = 5/16" N = 13/16"
- G = 3/8" O = 7/8"
- H = 7/16" P = 15/16"

Note: Transducers are only available in the "Standard" strokes listed. Non-standard full inch or fractional strokes will use the smallest available "Standard" length transducer to cover the entire stroke. In these cases, the analog output will be less than 10V at full stroke.

Rod End Codes

- 1 = Style #1 Standard Male Thread
- 2 = Style #2 Optional Male Thread
- 3 = Style #3 Optional Female Thread
- 4 = Special Standard Rod Diameter (must specify threads)
- 5 = Special Oversize Rod Diameter (must specify threads) (must specify threads)
- 6 = #1 Oversize Rod Diameter
- 7 = #2 Oversize Rod Diameter
- 8 = #3 Oversize Rod Diameter
- U = Male Coupling Rod End Standard Rod Diameter
- V = Male Coupling Rod End Oversized Rod Diameter

Position of the Connector Cable

- 1 = Position 1
- 2 = Position 2
- 3 = Position 3
- 4 = Position 4

Magnet

- 0 = No Magnet
- 2 = Reed Magnet

Options

- AA = No Options
- BA* = Bumpers Both Ends
- BC* = Bumper Cap Only
- BH* = Bumper Head
- CT = Composite Tube
- CZ = Composite Bushing
- LP = Profile Tubing
- MA = Metallic Rod Scraper
- NA = Nickel Plated
- RB = Rod Boot
- PA = Polypak Rod Seal
- SA = Stainless Steel Piston Rod
- SS = Stainless Piston Rod and Tie Rods
- ST = Stainless Tie Rods
- 1A* = Rod Extension
- 2A* = Thread Extension
- 12* = Rod and Thread Extension
- 3A = Studded Rod End

* Specify length.

**Bumpers add .062" to OAL (per bumper).

Consult factory for information regarding combination options.

Note: LB Option - Low breakaway seals are standard.

Head Cushion and Position

| Position | 1 | 2 | 3 | 4 | Fixed |
|------------|---|---|---|---|-------|
| No Cushion | A | A | A | A | A |
| Head Only | F | G | H | J | W |

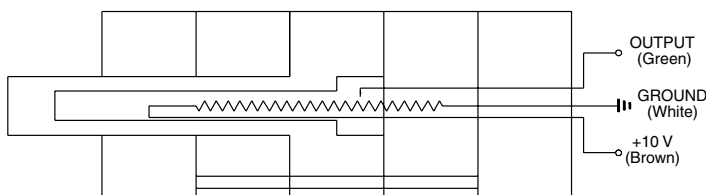
Note: Cushions are not available on the cap end of the cylinder.

Port Size and Location

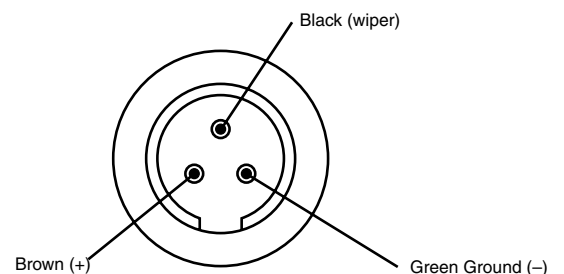
| Position | 1/8" | 1/4" | 3/8" | 1/2" | 3/4" |
|----------|------|------|------|------|------|
| 1 | B | C | D | E | F |
| 2 | H | I | J | K | L |
| 3 | N | O | P | Q | R |
| 4 | T | U | V | W | X |

Note: Some ports are not available on smaller bore sizes.

MLRT Circuit Diagram



Connector Pin Assignments

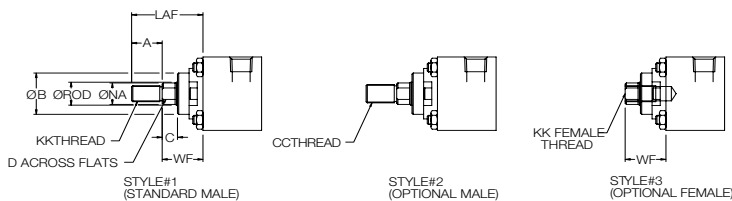


Dimensions: Inches

Standard and Optional Rod Ends

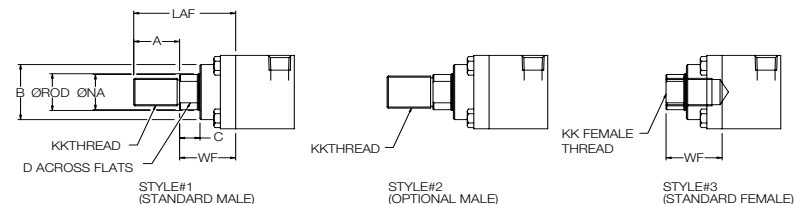
1-1/2" - 2-1/2" Bore

5/8" Rod

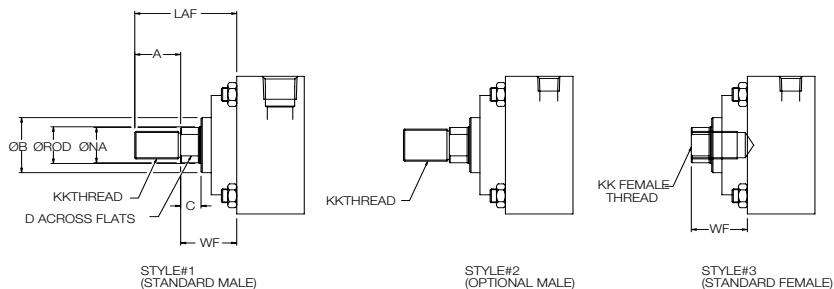


1-1/2" - 2-1/2" Bore

1" Rod



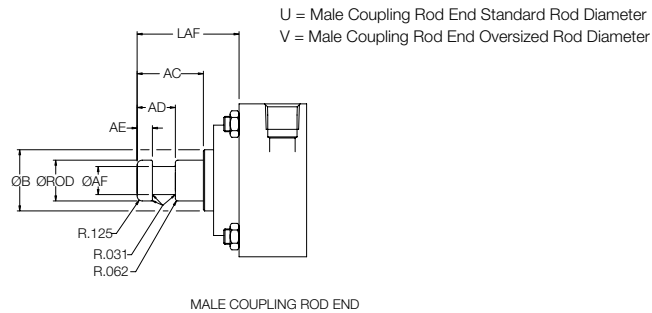
3-1/4"-8" Bore



| Bore | Rod Diameter | KK | CC | A | B | C | D | NA | LAF | WF |
|-------|--------------|------------|------------|-------|-------|-------|-------|-------|-------|-------|
| 1-1/2 | 0.625 | 7/16 - 20 | 1/2 - 20 | 0.750 | 1.125 | 0.375 | 0.500 | 0.585 | 1.750 | 1.000 |
| | 1.00 | 3/4 - 16 | 7/8 - 14 | 1.125 | 1.400 | 0.500 | 0.813 | 0.960 | 2.500 | 1.375 |
| 2 | 0.625 | 7/16 - 20 | 1/2 - 20 | 0.750 | 1.125 | 0.375 | 0.500 | 0.585 | 1.750 | 1.000 |
| | 1.00 | 3/4 - 16 | 7/8 - 14 | 1.125 | 1.500 | 0.500 | 0.813 | 0.960 | 2.500 | 1.375 |
| 2-1/2 | 0.625 | 7/16 - 20 | 1/2 - 20 | 0.750 | 1.125 | 0.375 | 0.500 | 0.585 | 1.750 | 1.000 |
| | 1.00 | 3/4 - 16 | 7/8 - 14 | 1.125 | 1.500 | 0.500 | 0.813 | 0.960 | 2.500 | 1.375 |
| 3-1/4 | 1.00 | 3/4 - 16 | 7/8 - 14 | 1.125 | 1.500 | 0.500 | 0.813 | 0.960 | 2.500 | 1.375 |
| | 1.375 | 1 - 14 | 1 1/4 - 12 | 1.625 | 2.000 | 0.625 | 1.125 | 1.313 | 3.250 | 1.625 |
| 4 | 1.00 | 3/4 - 16 | 7/8 - 14 | 1.125 | 1.500 | 0.500 | 0.813 | 0.960 | 2.500 | 1.375 |
| | 1.375 | 1 - 14 | 1 1/4 - 12 | 1.625 | 2.000 | 0.625 | 1.125 | 1.313 | 3.250 | 1.625 |
| 5 | 1.00 | 3/4 - 16 | 7/8 - 14 | 1.125 | 1.500 | 0.500 | 0.813 | 0.960 | 2.500 | 1.375 |
| | 1.375 | 1 - 14 | 1 1/4 - 12 | 1.625 | 2.000 | 0.625 | 1.125 | 1.313 | 3.250 | 1.625 |
| 6 | 1.375 | 1 - 14 | 1 1/4 - 12 | 1.625 | 2.000 | 0.625 | 1.125 | 1.313 | 3.250 | 1.625 |
| | 1.750 | 1 1/4 - 12 | 1 1/2 - 12 | 2.000 | 2.375 | 0.750 | 1.500 | 1.688 | 3.875 | 1.875 |
| 8 | 1.375 | 1 - 14 | 1 1/4 - 12 | 1.625 | 2.000 | 0.625 | 1.125 | 1.313 | 3.250 | 1.625 |
| | 1.750 | 1 1/4 - 12 | 1 1/2 - 12 | 2.000 | 2.375 | 0.750 | 1.500 | 1.688 | 3.875 | 1.875 |

Dimensions: Inches

Male Coupling Rod Ends



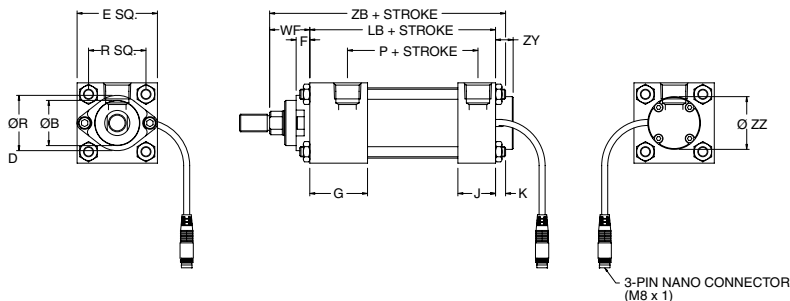
| Bore | Rod Diameter | B | AC | AD | AE | AF | LAF |
|-------|--------------|-------|-------|-------|-------|-------|-------|
| 1-1/2 | 0.625 | 1.125 | 1.125 | 0.625 | 0.250 | 0.375 | 1.750 |
| | 1.000 | 1.500 | 1.625 | 0.938 | 0.375 | 0.688 | 2.500 |
| 2 | 0.625 | 1.125 | 1.125 | 0.625 | 0.250 | 0.375 | 1.750 |
| | 1.000 | 1.400 | 1.625 | 0.938 | 0.375 | 0.688 | 2.500 |
| 2-1/2 | 0.625 | 1.125 | 1.125 | 0.625 | 0.250 | 0.375 | 1.750 |
| | 1.000 | 1.500 | 1.625 | 0.938 | 0.375 | 0.688 | 2.500 |
| 3-1/4 | 1.000 | 1.500 | 1.500 | 0.938 | 0.375 | 0.688 | 2.375 |
| | 1.375 | 2.000 | 1.750 | 1.062 | 0.375 | 0.875 | 2.750 |
| 4 | 1.000 | 1.500 | 1.500 | 0.938 | 0.375 | 0.688 | 2.375 |
| | 1.375 | 2.000 | 1.750 | 1.062 | 0.375 | 0.875 | 2.750 |
| 5 | 1.000 | 1.500 | 1.500 | 0.938 | 0.375 | 0.688 | 2.375 |
| | 1.375 | 2.000 | 1.750 | 1.062 | 0.375 | 0.875 | 2.750 |
| 6 | 1.375 | 2.000 | 1.750 | 1.062 | 0.375 | 0.875 | 2.750 |
| | 1.750 | 2.375 | 2.000 | 1.313 | 0.500 | 1.125 | 3.125 |

Dimensions: Inches

X0 Mount – Basic No Mount

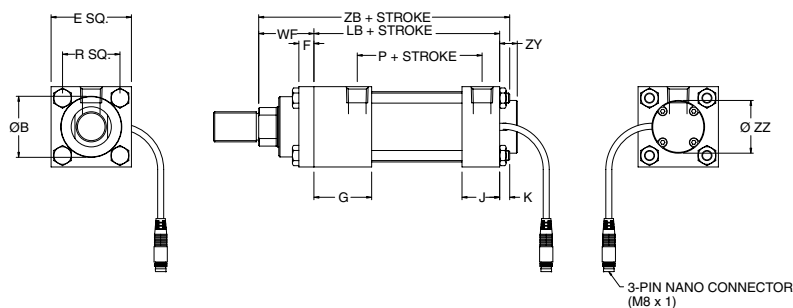
1-1/2" -2-1/2" Bore

5/8" Rod

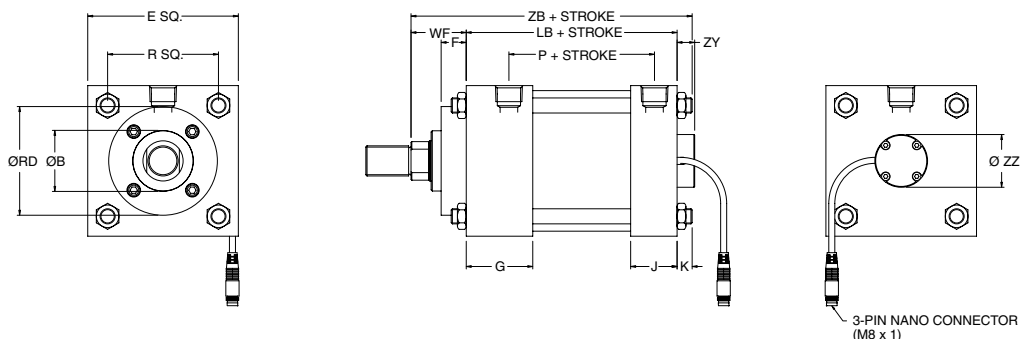


1-1/2" - 2" Bore

1" Rod



3-1/4"- 6" Bore



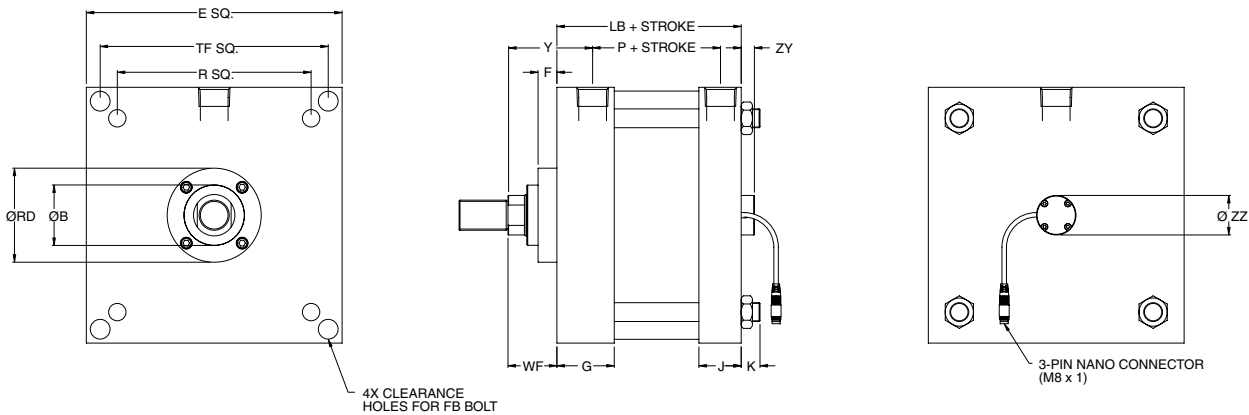
| Bore | Rod Diameter | B | E | F | G | J | K | LB | P | R | RD | WF | ZB | ZY | ZZ |
|-------|--------------|-------|-------|-------|-------|-------|-------|-------|-------|-------|-------|-------|-------|-------|-------|
| 1-1/2 | 0.625 | 1.125 | 2.000 | 0.375 | 1.500 | 1.000 | 0.250 | 3.625 | 2.250 | 1.430 | 1.375 | 1.000 | 4.875 | 0.438 | 1.313 |
| | 1.000 | 1.400 | 2.000 | 0.375 | 1.500 | 1.000 | 0.250 | 3.625 | 2.103 | 1.430 | N/A | 1.375 | 5.250 | 0.438 | 1.313 |
| 2 | 0.625 | 1.125 | 2.500 | 0.375 | 1.500 | 1.000 | 0.313 | 3.625 | 2.250 | 1.840 | 1.375 | 1.000 | 4.938 | 0.438 | 1.313 |
| | 1.000 | 1.500 | 2.500 | 0.375 | 1.500 | 1.000 | 0.313 | 3.625 | 2.250 | 1.840 | N/A | 1.375 | 5.313 | 0.438 | 1.313 |
| 2-1/2 | 0.625 | 1.125 | 3.000 | 0.375 | 1.500 | 1.000 | 0.313 | 3.750 | 2.375 | 2.190 | 1.375 | 1.000 | 5.062 | 0.438 | 1.313 |
| | 1.000 | 1.500 | 3.000 | 0.375 | 1.500 | 1.000 | 0.313 | 3.750 | 2.375 | 2.190 | N/A | 1.375 | 5.438 | 0.438 | 1.313 |
| 3-1/4 | 1.000 | 1.500 | 3.750 | 0.625 | 1.750 | 1.250 | 0.375 | 4.250 | 2.625 | 2.760 | 2.706 | 1.375 | 6.000 | 0.438 | 1.313 |
| | 1.375 | 2.000 | 3.750 | 0.625 | 1.750 | 1.250 | 0.375 | 4.250 | 2.625 | 2.760 | 3.125 | 1.625 | 6.250 | 0.438 | 1.313 |
| 4 | 1.000 | 1.500 | 4.500 | 0.625 | 1.750 | 1.250 | 0.375 | 4.250 | 2.625 | 3.320 | 2.706 | 1.375 | 6.000 | 0.438 | 1.313 |
| | 1.375 | 2.000 | 4.500 | 0.625 | 1.750 | 1.250 | 0.375 | 4.250 | 2.625 | 3.320 | 3.125 | 1.625 | 6.250 | 0.438 | 1.313 |
| 5 | 1.000 | 1.500 | 5.500 | 0.625 | 1.750 | 1.250 | 0.500 | 4.500 | 2.875 | 4.100 | 2.706 | 1.375 | 6.375 | 0.438 | 1.313 |
| | 1.375 | 2.000 | 5.500 | 0.625 | 1.750 | 1.250 | 0.500 | 4.500 | 2.875 | 4.100 | 3.125 | 1.625 | 6.625 | 0.438 | 1.313 |
| 6 | 1.375 | 2.000 | 6.500 | 0.625 | 2.000 | 1.500 | 0.500 | 5.000 | 3.125 | 4.880 | 3.125 | 1.625 | 7.125 | 0.438 | 1.313 |
| | 1.750 | 2.375 | 6.500 | 0.750 | 2.000 | 1.500 | 0.500 | 5.000 | 3.125 | 4.880 | 3.788 | 1.875 | 7.375 | 0.438 | 1.313 |

1 1/2, 2, & 2-1/2 (with 1" rod) RD dimension is not available. Retainer is full face.

Dimensions: Inches

E3 Mount – Head Square Mount

8" Bore

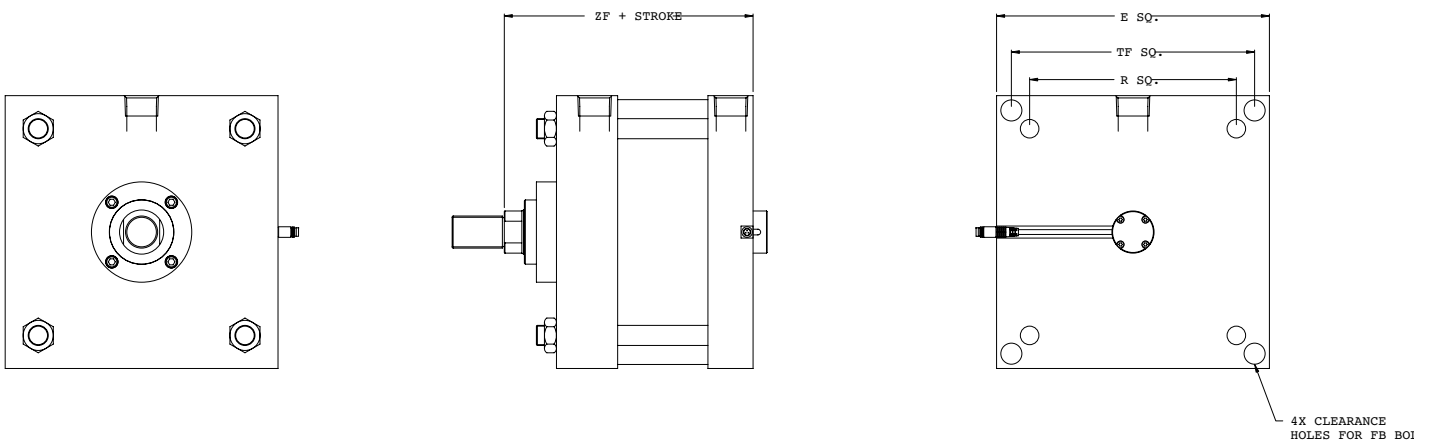


| Bore | Rod Diameter | B | E | G | J | F | K | P | R | Y | FB | LB | RD | TF | WF | ZY | ZZ |
|------|--------------|-------|-------|-------|-------|-------|-------|-------|-------|-------|-------|-------|-------|-------|-------|-------|-------|
| 8 | 1.375 | 2.000 | 8.500 | 2.000 | 1.500 | 0.630 | 0.630 | 3.250 | 6.440 | 2.810 | 0.630 | 5.125 | 3.130 | 7.580 | 1.625 | 0.438 | 1.313 |
| | 1.750 | 2.375 | 8.500 | 2.000 | 1.500 | 0.750 | 0.630 | 3.250 | 6.440 | 3.060 | 0.630 | 5.125 | 3.790 | 7.580 | 1.875 | 0.438 | 1.313 |

Dimensions: Inches

E4 Mount – Cap Square Mount

8" Bore

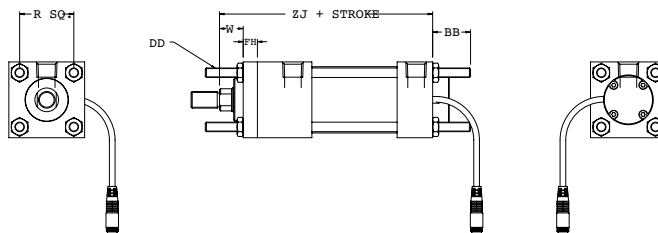


| Bore | Rod Diameter | E | R | FB | TF | ZF |
|------|--------------|-------|-------|-------|-------|-------|
| 8 | 1.375 | 8.500 | 6.440 | 0.625 | 7.580 | 6.750 |
| | 1.750 | 8.500 | 6.440 | 0.625 | 7.580 | 7.000 |

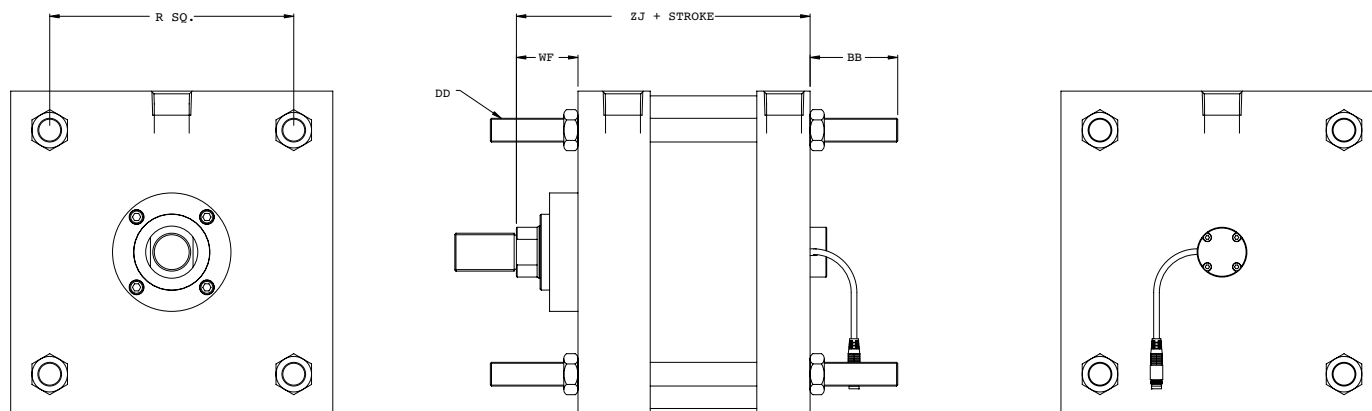
Dimensions: Inches

X1 Mount – Extended Tie Rods - Both Ends

1-1/2" - 6" Bore



8" Bore

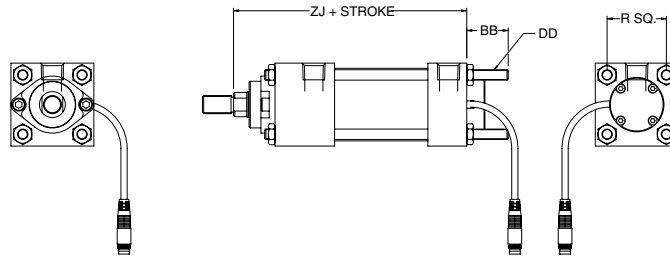


| Bore | Rod Diameter | R | W | BB | DD | FH | WF | ZJ |
|-------|--------------|-------|-------|-------|---------|-------|-------|-------|
| 1-1/2 | 0.625 | 1.430 | 0.625 | 1.000 | 1/4-28 | 0.375 | N/A | 4.625 |
| | 1.000 | 1.430 | 1.000 | 1.000 | 1/4-28 | 0.375 | N/A | 5.000 |
| 2 | 0.625 | 1.840 | 0.625 | 1.125 | 5/16-24 | 0.375 | N/A | 4.625 |
| | 1.000 | 1.840 | 1.000 | 1.125 | 5/16-24 | 0.375 | N/A | 5.000 |
| 2 1/2 | 0.625 | 2.190 | 0.625 | 1.125 | 5/16-24 | 0.375 | N/A | 4.750 |
| | 1.000 | 2.190 | 1.000 | 1.125 | 5/16-24 | 0.375 | N/A | 5.125 |
| 3 1/4 | 1.000 | 2.760 | 0.750 | 1.375 | 3/8-24 | 0.625 | N/A | 5.625 |
| | 1.375 | 2.760 | 1.000 | 1.375 | 3/8-24 | 0.625 | N/A | 5.875 |
| 4 | 1.000 | 3.320 | 0.750 | 1.375 | 3/8-24 | 0.625 | N/A | 5.625 |
| | 1.375 | 3.320 | 1.000 | 1.375 | 3/8-24 | 0.625 | N/A | 5.875 |
| 5 | 1.000 | 4.100 | 0.750 | 1.813 | 1/2-20 | 0.625 | N/A | 5.875 |
| | 1.375 | 4.100 | 1.000 | 1.813 | 1/2-20 | 0.625 | N/A | 6.125 |
| 6 | 1.375 | 4.880 | 0.875 | 1.813 | 1/2-20 | 0.750 | N/A | 6.625 |
| | 1.750 | 4.880 | 1.125 | 1.813 | 1/2-20 | 0.750 | N/A | 6.875 |
| 8 | 1.375 | 6.440 | N/A | 2.310 | 5/8-18 | N/A | 1.625 | 6.750 |
| | 1.750 | 6.440 | N/A | 2.310 | 5/8-18 | N/A | 1.875 | 7.000 |

Dimensions: Inches

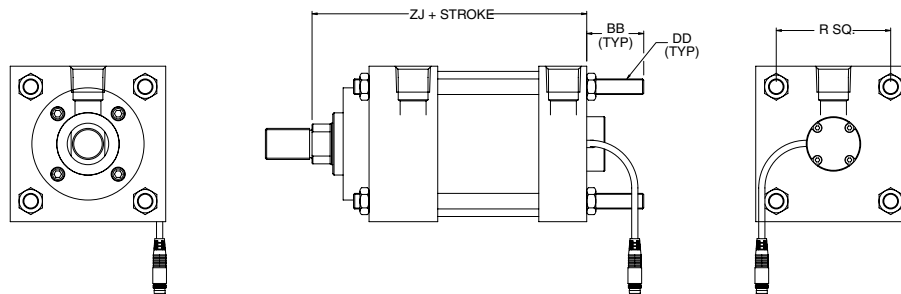
X2 Mount – Extended Tie Rods - Cap End

1-1/2" - 2-1/2" Bore



X2 Mount – Extended Tie Rods - Cap End

3-1/4" - 8" Bore

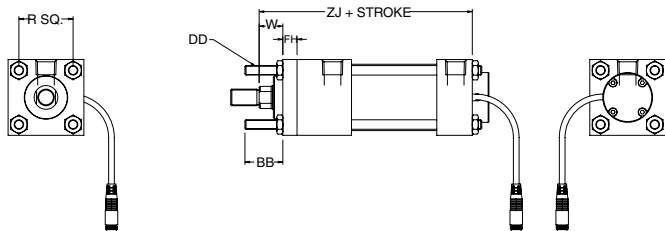


| Bore | Rod Diameter | R | BB | DD | ZJ |
|-------|--------------|-------|-------|---------|-------|
| 1-1/2 | 0.625 | 1.430 | 1.000 | 1/4-28 | 4.625 |
| | 1.000 | 1.430 | 1.000 | 1/4-28 | 5.000 |
| 2 | 0.625 | 1.840 | 1.125 | 5/16-24 | 4.625 |
| | 1.000 | 1.840 | 1.125 | 5/16-24 | 5.000 |
| 2-1/2 | 0.625 | 2.190 | 1.125 | 5/16-24 | 4.750 |
| | 1.000 | 2.190 | 1.125 | 5/16-24 | 5.125 |
| 3-1/4 | 1.000 | 2.760 | 1.375 | 3/8-24 | 5.625 |
| | 1.375 | 2.760 | 1.375 | 3/8-24 | 5.875 |
| 4 | 1.000 | 3.320 | 1.375 | 3/8-24 | 5.625 |
| | 1.375 | 3.320 | 1.375 | 3/8-24 | 5.875 |
| 5 | 1.000 | 4.100 | 1.813 | 1/2-20 | 5.875 |
| | 1.375 | 4.100 | 1.813 | 1/2-20 | 6.125 |
| 6 | 1.375 | 4.880 | 1.813 | 1/2-20 | 6.625 |
| | 1.750 | 4.880 | 1.813 | 1/2-20 | 6.875 |
| 8 | 1.375 | 6.440 | 2.310 | 5/8-18 | 6.750 |
| | 1.750 | 6.440 | 2.310 | 5/8-18 | 7.000 |

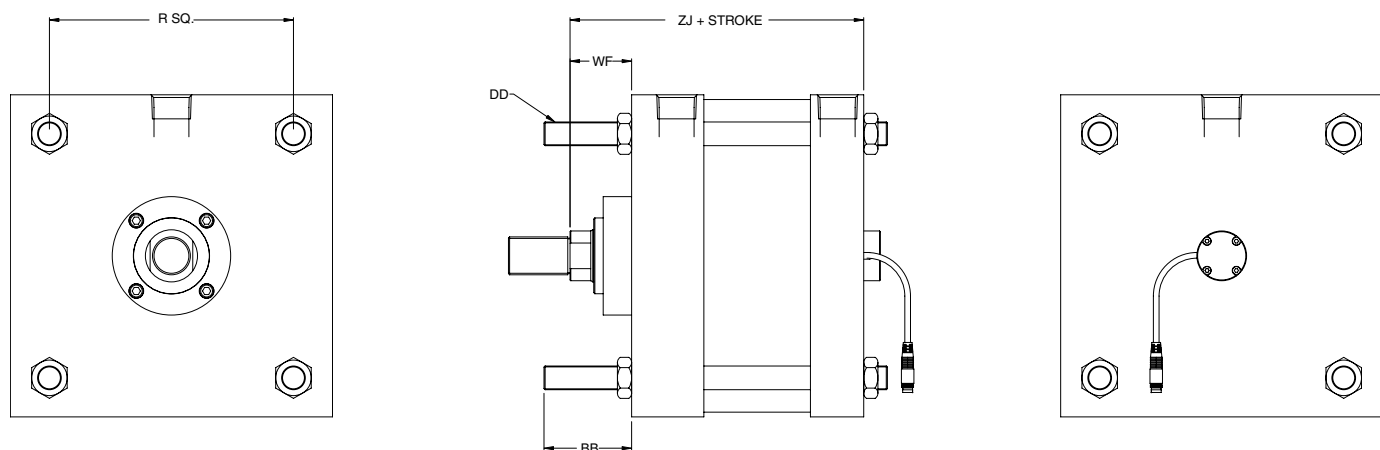
Dimensions: Inches

X3 Mount – Extended Tie Rods - Head End

1-1/2" - 6" Bore



8" Bore

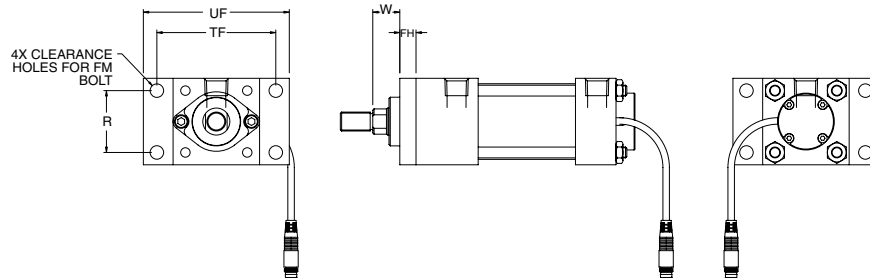


| Bore | Rod Diameter | R | W | BB | DD | FH | WF | ZJ |
|-------|--------------|-------|-------|-------|---------|-------|-------|-------|
| 1-1/2 | 0.625 | 1.430 | 0.625 | 1.000 | 1/4-28 | 0.375 | N/A | 4.625 |
| | 1.000 | 1.430 | 1.000 | 1.000 | 1/4-28 | 0.375 | N/A | 5.000 |
| 2 | 0.625 | 1.840 | 0.625 | 1.125 | 5/16-24 | 0.375 | N/A | 4.625 |
| | 1.000 | 1.840 | 1.000 | 1.125 | 5/16-24 | 0.375 | N/A | 5.000 |
| 2-1/2 | 0.625 | 2.190 | 0.625 | 1.125 | 5/16-24 | 0.375 | N/A | 4.750 |
| | 1.000 | 2.190 | 1.000 | 1.125 | 5/16-24 | 0.375 | N/A | 5.125 |
| 3-1/4 | 1.000 | 2.760 | 0.750 | 1.375 | 3/8-24 | 0.625 | N/A | 5.625 |
| | 1.375 | 2.760 | 1.000 | 1.375 | 3/8-24 | 0.625 | N/A | 5.875 |
| 4 | 1.000 | 3.320 | 0.750 | 1.375 | 3/8-24 | 0.625 | N/A | 5.625 |
| | 1.375 | 3.320 | 1.000 | 1.375 | 3/8-24 | 0.625 | N/A | 5.875 |
| 5 | 1.000 | 4.100 | 0.750 | 1.813 | 1/2-20 | 0.625 | N/A | 5.875 |
| | 1.375 | 4.100 | 1.000 | 1.813 | 1/2-20 | 0.625 | N/A | 6.125 |
| 6 | 1.375 | 4.880 | 0.875 | 1.813 | 1/2-20 | 0.750 | N/A | 6.625 |
| | 1.750 | 4.880 | 1.125 | 1.813 | 1/2-20 | 0.750 | N/A | 6.875 |
| 8 | 1.375 | 6.440 | N/A | 2.310 | 5/8-18 | N/A | 1.625 | 6.750 |
| | 1.750 | 6.440 | N/A | 2.310 | 5/8-18 | N/A | 1.875 | 7.000 |

Dimensions: Inches

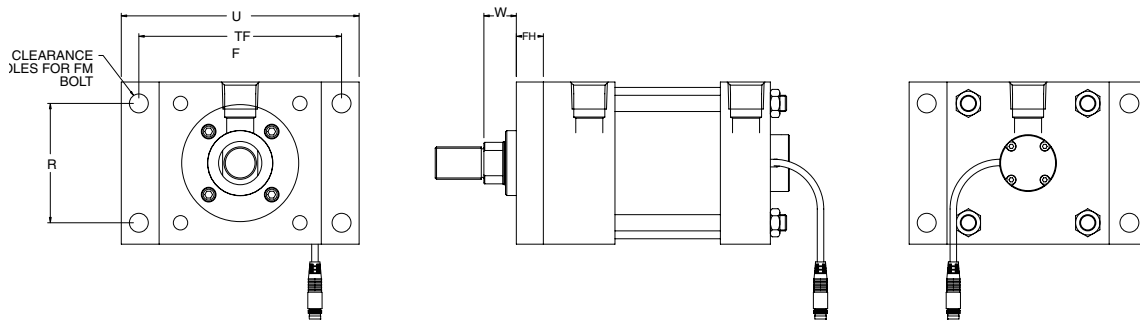
F1 Mount – Head Rectangular Flange

1-1/2" - 2-1/2" Bore



F1 Mount

3-1/4" - 8" Bore

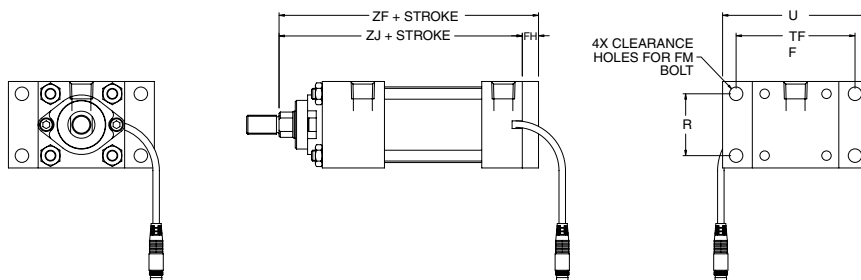


| Bore | Rod Diameter | R | W | FB | FH | TF | UF |
|-------|--------------|-------|-------|-------|-------|-------|-------|
| 1-1/2 | 0.625 | 1.430 | 0.625 | 0.250 | 0.375 | 2.750 | 3.375 |
| | 1.000 | 1.430 | 1.000 | 0.250 | 0.375 | 2.750 | 3.375 |
| 2 | 0.625 | 1.840 | 0.625 | 0.313 | 0.375 | 3.375 | 4.125 |
| | 1.000 | 1.840 | 1.000 | 0.313 | 0.375 | 3.375 | 4.125 |
| 2-1/2 | 0.625 | 2.190 | 0.625 | 0.313 | 0.375 | 3.875 | 4.625 |
| | 1.000 | 2.190 | 1.000 | 0.313 | 0.375 | 3.875 | 4.625 |
| 3-1/4 | 1.000 | 2.760 | 0.750 | 0.375 | 0.625 | 4.688 | 5.500 |
| | 1.375 | 2.760 | 1.000 | 0.375 | 0.625 | 4.688 | 5.500 |
| 4 | 1.000 | 3.320 | 0.750 | 0.375 | 0.625 | 5.438 | 6.250 |
| | 1.375 | 3.320 | 1.000 | 0.375 | 0.625 | 5.438 | 6.250 |
| 5 | 1.000 | 4.100 | 0.750 | 0.500 | 0.625 | 6.625 | 7.625 |
| | 1.375 | 4.100 | 1.000 | 0.500 | 0.625 | 6.625 | 7.625 |
| 6 | 1.375 | 4.880 | 0.875 | 0.500 | 0.750 | 7.625 | 8.625 |
| | 1.750 | 4.880 | 1.125 | 0.500 | 0.750 | 7.625 | 8.625 |

Dimensions: Inches

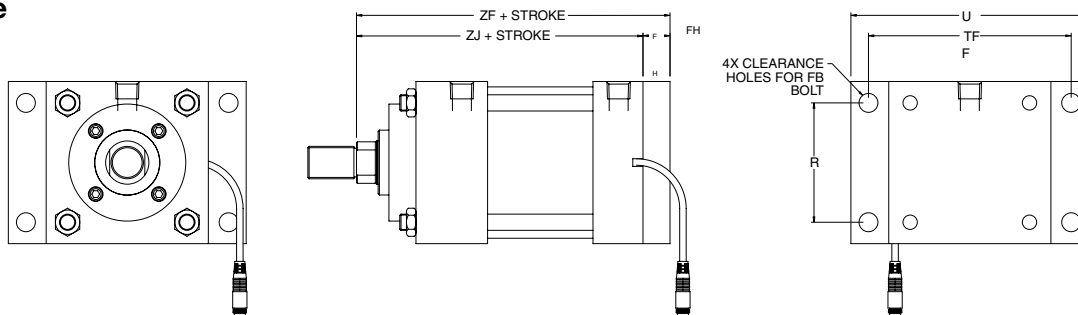
F2 Mount – Cap Rectangular Flange

1-1/2" - 2-1/2" Bore



F2 Mount – Cap Rectangular Flange

3-1/4" - 6" Bore



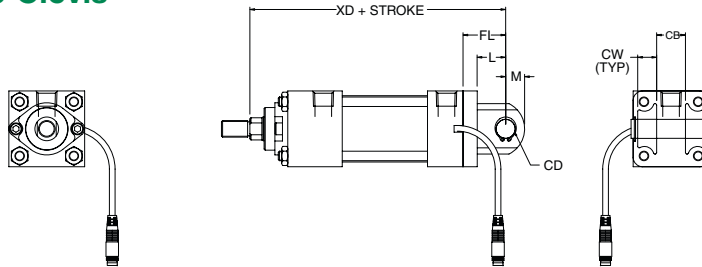
| Bore | Rod Diameter | R | FB | FH | TF | UF | ZF | ZJ |
|-------|--------------|-------|-------|-------|-------|-------|-------|-------|
| 1-1/2 | 0.625 | 1.430 | 0.250 | 0.375 | 2.750 | 3.375 | 5.000 | 4.625 |
| | 1.000 | 1.430 | 0.250 | 0.375 | 2.750 | 3.375 | 5.375 | 5.000 |
| 2 | 0.625 | 1.840 | 0.313 | 0.375 | 3.375 | 4.125 | 5.000 | 4.625 |
| | 1.000 | 1.840 | 0.313 | 0.375 | 3.375 | 4.125 | 5.375 | 5.000 |
| 2-1/2 | 0.625 | 2.190 | 0.313 | 0.375 | 3.875 | 4.625 | 5.125 | 4.750 |
| | 1.000 | 2.190 | 0.313 | 0.375 | 3.875 | 4.625 | 5.500 | 5.125 |
| 3-1/4 | 1.000 | 2.760 | 0.375 | 0.625 | 4.688 | 5.500 | 6.250 | 5.625 |
| | 1.375 | 2.760 | 0.375 | 0.625 | 4.688 | 5.500 | 6.500 | 5.875 |
| 4 | 1.000 | 3.320 | 0.375 | 0.625 | 5.438 | 6.250 | 6.250 | 5.625 |
| | 1.375 | 3.320 | 0.375 | 0.625 | 5.438 | 6.250 | 6.500 | 5.875 |
| 5 | 1.000 | 4.100 | 0.500 | 0.625 | 6.625 | 7.625 | 6.500 | 5.875 |
| | 1.375 | 4.100 | 0.500 | 0.625 | 6.625 | 7.625 | 6.750 | 6.125 |
| 6 | 1.375 | 4.880 | 0.500 | 0.750 | 7.625 | 8.625 | 7.375 | 6.625 |
| | 1.750 | 4.880 | 0.500 | 0.750 | 7.625 | 8.625 | 7.625 | 6.875 |

Dimensions: Inches

P2 Mount – Detachable Clevis

1-1/2" - 2-1/2" Bore

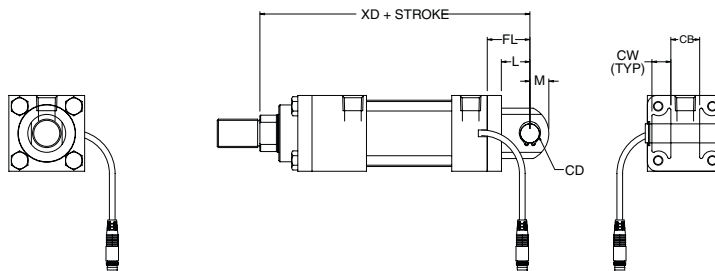
5/8" Rod



P2 Mount

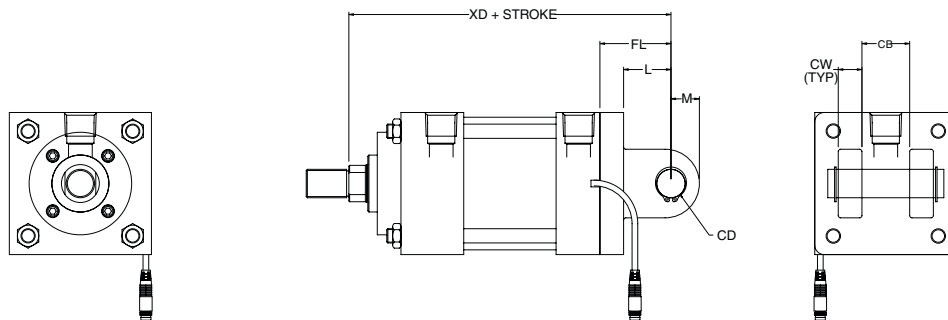
1-1/2" - 2-1/2" Bore

1" Rod



P2 Mount

3-1/4" - 8" Bore

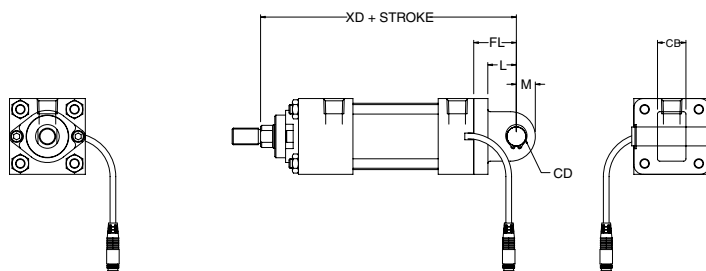


| Bore | Rod Diameter | L | M | CB | CD | CW | FL | XD |
|-------|--------------|-------|-------|-------|-------|-------|-------|-------|
| 1-1/2 | 0.625 | 0.750 | 0.500 | 0.750 | 0.500 | 0.500 | 1.125 | 5.750 |
| | 1.000 | 0.750 | 0.500 | 0.750 | 0.500 | 0.500 | 1.125 | 6.125 |
| 2 | 0.625 | 0.750 | 0.500 | 0.750 | 0.500 | 0.500 | 1.125 | 5.750 |
| | 1.000 | 0.750 | 0.500 | 0.750 | 0.500 | 0.500 | 1.125 | 6.125 |
| 2-1/2 | 0.625 | 0.750 | 0.500 | 0.750 | 0.500 | 0.500 | 1.125 | 5.875 |
| | 1.000 | 0.750 | 0.500 | 0.750 | 0.500 | 0.500 | 1.125 | 6.250 |
| 3-1/4 | 1.000 | 1.250 | 0.750 | 1.250 | 0.750 | 0.625 | 1.875 | 7.500 |
| | 1.375 | 1.250 | 0.750 | 1.250 | 0.750 | 0.625 | 1.875 | 7.750 |
| 4 | 1.000 | 1.250 | 0.750 | 1.250 | 0.750 | 0.625 | 1.875 | 7.500 |
| | 1.375 | 1.250 | 0.750 | 1.250 | 0.750 | 0.625 | 1.875 | 7.750 |
| 5 | 1.000 | 1.250 | 0.750 | 1.250 | 0.750 | 0.625 | 1.875 | 7.750 |
| | 1.375 | 1.250 | 0.750 | 1.250 | 0.750 | 0.625 | 1.875 | 8.000 |
| 6 | 1.375 | 1.500 | 1.000 | 1.500 | 1.000 | 0.750 | 2.250 | 8.875 |
| | 1.750 | 1.500 | 1.000 | 1.500 | 1.000 | 0.750 | 2.250 | 9.125 |
| 8 | 1.375 | 1.500 | 1.000 | 1.500 | 1.000 | 0.750 | 2.250 | 9.000 |
| | 1.750 | 1.500 | 1.000 | 1.500 | 1.000 | 0.750 | 2.250 | 9.250 |

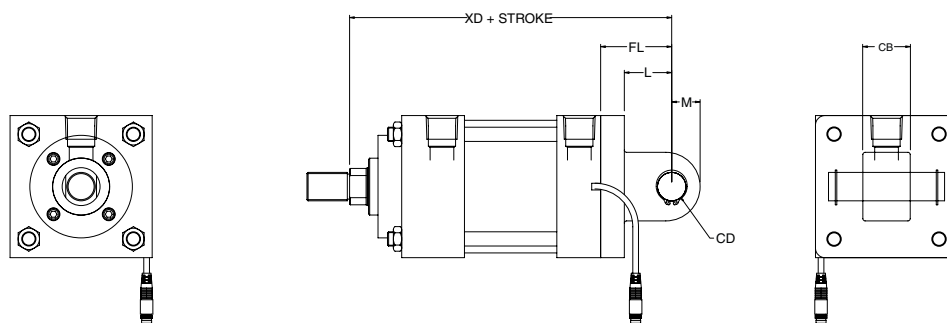
Dimensions: Inches

P4 Mount – Detachable Eye

1-1/2" - 2-1/2" Bore, P4 Mount



3-1/4" - 8" Bore, P4 Mount

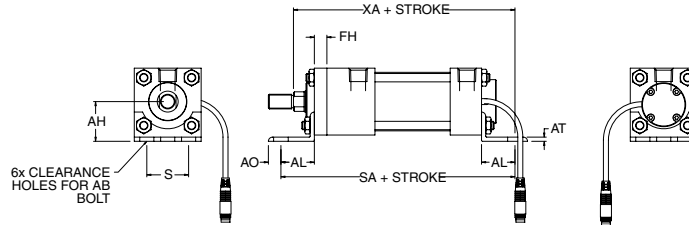


| Bore | Rod Diameter | L | M | CB | CD | FL | XD |
|-------|--------------|-------|-------|-------|-------|-------|-------|
| 1-1/2 | 0.625 | 0.750 | 0.500 | 0.750 | 0.500 | 1.125 | 5.750 |
| | 1.000 | 0.750 | 0.500 | 0.750 | 0.500 | 1.125 | 6.125 |
| 2 | 0.625 | 0.750 | 0.500 | 0.750 | 0.500 | 1.125 | 5.750 |
| | 1.000 | 0.750 | 0.500 | 0.750 | 0.500 | 1.125 | 6.125 |
| 2-1/2 | 0.625 | 0.750 | 0.500 | 0.750 | 0.500 | 1.125 | 5.875 |
| | 1.000 | 0.750 | 0.500 | 0.750 | 0.500 | 1.125 | 6.250 |
| 3-1/4 | 1.000 | 1.250 | 0.750 | 1.250 | 0.750 | 1.875 | 7.500 |
| | 1.375 | 1.250 | 0.750 | 1.250 | 0.750 | 1.875 | 7.750 |
| 4 | 1.000 | 1.250 | 0.750 | 1.250 | 0.750 | 1.875 | 7.500 |
| | 1.375 | 1.250 | 0.750 | 1.250 | 0.750 | 1.875 | 7.750 |
| 5 | 1.000 | 1.250 | 0.750 | 1.250 | 0.750 | 1.875 | 7.750 |
| | 1.375 | 1.250 | 0.750 | 1.250 | 0.750 | 1.875 | 8.000 |
| 6 | 1.375 | 1.500 | 1.000 | 1.500 | 1.000 | 2.250 | 8.875 |
| | 1.750 | 1.500 | 1.000 | 1.500 | 1.000 | 2.250 | 9.125 |
| 8 | 1.375 | 1.500 | 1.000 | 1.500 | 1.000 | 2.250 | 9.000 |
| | 1.750 | 1.500 | 1.000 | 1.500 | 1.000 | 2.250 | 9.250 |

Dimensions: Inches

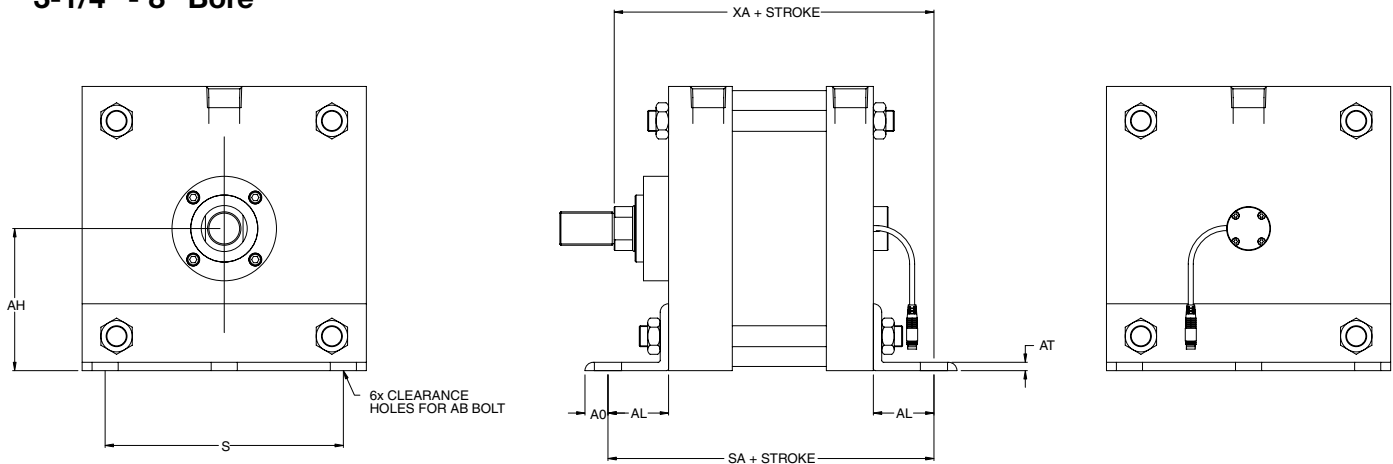
S1 Mount – Angle Mount

1-1/2" - 2-1/2" Bore



S1 Mount- Angle Mount

3-1/4" - 8" Bore



| Bore | Rod Diameter | S | AB | AH | AL | AO | AT | FH | SA | XA |
|-------|--------------|-------|-------|-------|-------|-------|-------|-------|-------|-------|
| 1-1/2 | 0.625 | 1.250 | 0.375 | 1.188 | 1.000 | 0.375 | 0.125 | 0.375 | 6.000 | 5.625 |
| | 1.000 | 1.250 | 0.375 | 1.188 | 1.000 | 0.375 | 0.125 | 0.375 | 6.000 | 6.000 |
| 2 | 0.625 | 1.750 | 0.375 | 1.438 | 1.000 | 0.375 | 0.125 | 0.375 | 6.000 | 5.625 |
| | 1.000 | 1.750 | 0.375 | 1.438 | 1.000 | 0.375 | 0.125 | 0.375 | 6.000 | 6.000 |
| 2-1/2 | 0.625 | 2.250 | 0.375 | 1.625 | 1.000 | 0.375 | 0.125 | 0.375 | 6.125 | 5.750 |
| | 1.000 | 2.250 | 0.375 | 1.625 | 1.000 | 0.375 | 0.125 | 0.375 | 6.125 | 6.125 |
| 3-1/4 | 1.000 | 2.750 | 0.500 | 1.938 | 1.250 | 0.500 | 0.125 | 0.625 | 7.375 | 6.875 |
| | 1.375 | 2.750 | 0.500 | 1.938 | 1.250 | 0.500 | 0.125 | 0.625 | 7.375 | 7.125 |
| 4 | 1.000 | 3.500 | 0.500 | 2.250 | 1.250 | 0.500 | 0.125 | 0.625 | 7.375 | 6.875 |
| | 1.375 | 3.500 | 0.500 | 2.250 | 1.250 | 0.500 | 0.125 | 0.625 | 7.375 | 7.125 |
| 5 | 1.000 | 4.250 | 0.625 | 2.750 | 1.375 | 0.625 | 0.188 | 0.625 | 7.875 | 7.250 |
| | 1.375 | 4.250 | 0.625 | 2.750 | 1.375 | 0.625 | 0.188 | 0.625 | 7.875 | 7.500 |
| 6 | 1.375 | 5.250 | 0.750 | 3.250 | 1.375 | 0.625 | 0.188 | 0.750 | 8.500 | 8.000 |
| | 1.750 | 5.250 | 0.750 | 3.250 | 1.375 | 0.625 | 0.188 | 0.750 | 8.500 | 8.250 |
| 8 | 1.375 | 7.130 | 0.750 | 4.250 | 1.810 | 0.690 | 0.250 | N/A | 8.750 | 8.560 |
| | 1.750 | 7.130 | 0.750 | 4.250 | 1.810 | 0.690 | 0.250 | N/A | 8.750 | 8.810 |

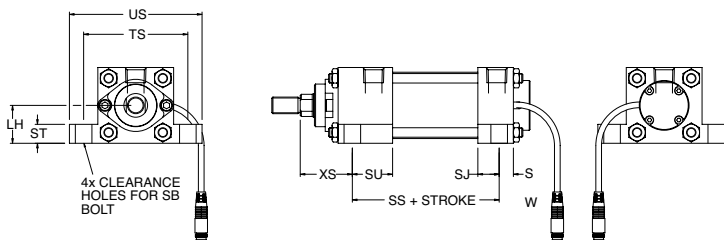
Dimensions: Inches

S2 Mount – Side Lugs

1-1/2" - 2-1/2" Bore

S2 Mount

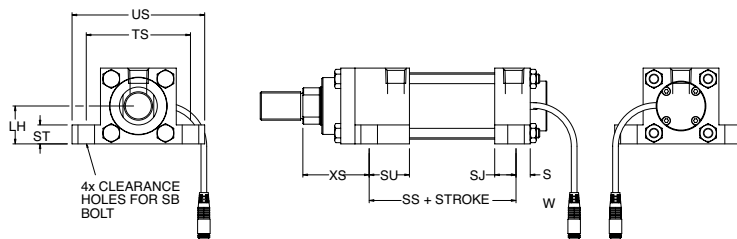
5/8" Rod



S2 Mount

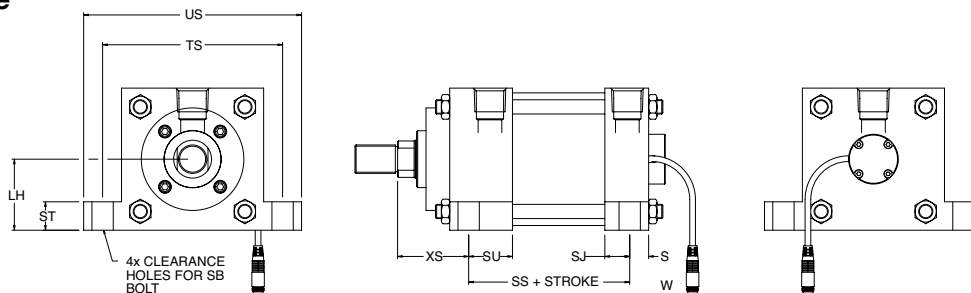
1-1/2" - 2-1/2" Bore

1" Rod



1-1/2" - 8" Bore

S2 Mount

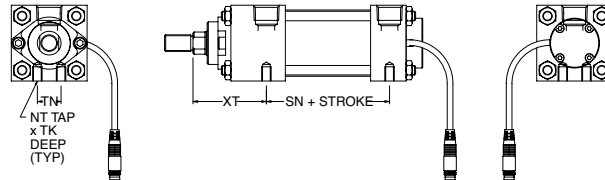


| Bore | Rod Diameter | LH | SB | SJ | SS | ST | SU | SW | TS | US | XS |
|-------|--------------|-------|-------|-------|-------|-------|-------|-------|-------|--------|-------|
| 1-1/2 | 0.625 | 1.000 | 0.375 | 0.625 | 2.875 | 0.500 | 1.125 | 0.375 | 2.750 | 3.500 | 1.375 |
| | 1.000 | 1.000 | 0.375 | 0.625 | 2.875 | 0.500 | 1.125 | 0.375 | 2.750 | 3.500 | 1.750 |
| 2 | 0.625 | 1.250 | 0.375 | 0.625 | 2.875 | 0.500 | 1.125 | 0.375 | 3.250 | 4.000 | 1.375 |
| | 1.000 | 1.250 | 0.375 | 0.625 | 2.875 | 0.500 | 1.125 | 0.375 | 3.250 | 4.000 | 1.750 |
| 2-1/2 | 0.625 | 1.500 | 0.375 | 0.625 | 3.000 | 0.500 | 1.125 | 0.375 | 3.750 | 4.500 | 1.375 |
| | 1.000 | 1.500 | 0.375 | 0.625 | 3.000 | 0.500 | 1.125 | 0.375 | 3.750 | 4.500 | 1.750 |
| 3-1/4 | 1.000 | 1.875 | 0.500 | 0.750 | 3.250 | 0.750 | 1.250 | 0.500 | 4.750 | 5.750 | 1.875 |
| | 1.375 | 1.875 | 0.500 | 0.750 | 3.250 | 0.750 | 1.250 | 0.500 | 4.750 | 5.750 | 2.125 |
| 4 | 1.000 | 2.250 | 0.500 | 0.750 | 3.250 | 0.750 | 1.250 | 0.500 | 5.500 | 6.500 | 1.875 |
| | 1.375 | 2.250 | 0.500 | 0.750 | 3.250 | 0.750 | 1.250 | 0.500 | 5.500 | 6.500 | 2.125 |
| 5 | 1.000 | 2.750 | 0.750 | 0.563 | 3.125 | 1.000 | 1.063 | 0.688 | 6.875 | 8.250 | 2.063 |
| | 1.375 | 2.750 | 0.750 | 0.563 | 3.125 | 1.000 | 1.063 | 0.688 | 6.875 | 8.250 | 2.313 |
| 6 | 1.375 | 3.250 | 0.750 | 0.813 | 3.625 | 1.000 | 1.313 | 0.688 | 7.875 | 9.250 | 2.313 |
| | 1.750 | 3.250 | 0.750 | 0.813 | 3.625 | 1.000 | 1.313 | 0.688 | 7.875 | 9.250 | 2.563 |
| 8 | 1.375 | 4.250 | 0.750 | 0.813 | 3.750 | 1.000 | 1.313 | 0.688 | 9.880 | 11.250 | 2.310 |
| | 1.750 | 4.250 | 0.750 | 0.813 | 3.750 | 1.000 | 1.313 | 0.688 | 9.880 | 11.250 | 2.560 |

Dimensions: Inches

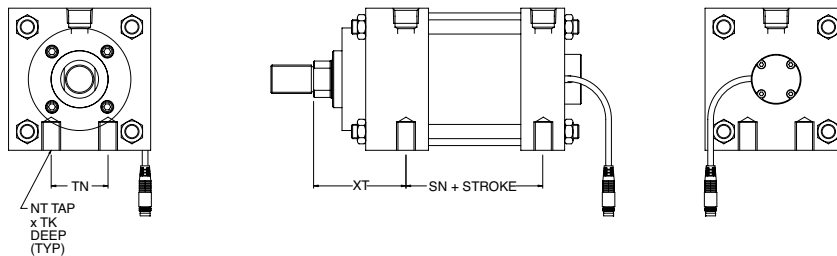
S4 Mount – Bottom Tapped

1-1/2" - 2-1/2" Bore



S4 Mount

3-1/4" - 8" Bore

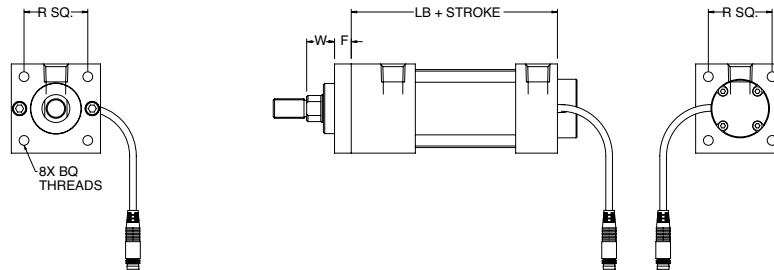


| Bore | Rod Diameter | NT | SN | TK | TN | XT |
|-------|--------------|---------|-------|-------|-------|-------|
| 1-1/2 | 0.625 | 1/4-20 | 2.250 | 0.375 | 0.625 | 1.938 |
| | 1.000 | 1/4-20 | 2.250 | 0.313 | 0.625 | 2.313 |
| 2 | 0.625 | 5/16-18 | 2.250 | 0.500 | 0.875 | 1.938 |
| | 1.000 | 5/16-18 | 2.250 | 0.500 | 0.875 | 2.313 |
| 2-1/2 | 0.625 | 3/8-16 | 2.375 | 0.625 | 1.250 | 1.938 |
| | 1.000 | 3/8-16 | 2.375 | 0.625 | 1.250 | 2.313 |
| 3-1/4 | 1.000 | 1/2-13 | 2.625 | 0.750 | 1.500 | 2.438 |
| | 1.375 | 1/2-13 | 2.625 | 0.750 | 1.500 | 2.688 |
| 4 | 1.000 | 1/2-13 | 2.625 | 0.750 | 2.063 | 2.438 |
| | 1.375 | 1/2-13 | 2.625 | 0.750 | 2.063 | 2.688 |
| 5 | 1.000 | 5/8-11 | 2.875 | 1.000 | 2.688 | 2.438 |
| | 1.375 | 5/8-11 | 2.875 | 1.000 | 2.688 | 2.688 |
| 6 | 1.375 | 3/4-10 | 3.125 | 1.125 | 3.250 | 2.813 |
| | 1.750 | 3/4-10 | 3.125 | 1.125 | 3.250 | 3.063 |
| 8 | 1.375 | 3/4-10 | 3.250 | 1.130 | 4.500 | 2.810 |
| | 1.750 | 3/4-10 | 3.250 | 1.130 | 4.500 | 3.060 |

Dimensions: Inches

SN Mount – Sleeve Nut

1-1/2" - 6" Bore

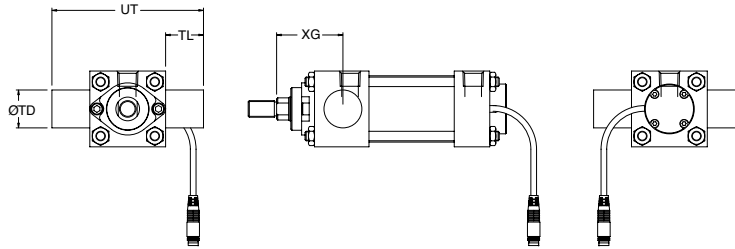


| Bore | Rod Diameter | F | R | W | BQ | LB |
|-------|--------------|-------|-------|-------|---------|-------|
| 1-1/2 | 0.625 | 0.375 | 1.430 | 0.625 | 1/4-28 | 3.625 |
| | 1.000 | 0.375 | 1.430 | 1.000 | 1/4-28 | 3.625 |
| 2 | 0.625 | 0.375 | 1.840 | 0.625 | 5/16-24 | 3.625 |
| | 1.000 | 0.375 | 1.840 | 1.000 | 5/16-24 | 3.625 |
| 2-1/2 | 0.625 | 0.375 | 2.190 | 0.750 | 5/16-24 | 3.750 |
| | 1.000 | 0.375 | 2.190 | 1.000 | 5/16-24 | 3.750 |
| 3-1/4 | 1.000 | 0.625 | 2.760 | 0.750 | 3/8-24 | 4.250 |
| | 1.375 | 0.625 | 2.760 | 1.000 | 3/8-24 | 4.250 |
| 4 | 1.000 | 0.625 | 3.320 | 0.750 | 3/8-24 | 4.250 |
| | 1.375 | 0.625 | 3.320 | 1.000 | 3/8-24 | 4.250 |
| 5 | 1.000 | 0.625 | 4.100 | 0.750 | 1/2-20 | 4.500 |
| | 1.375 | 0.625 | 4.100 | 1.000 | 1/2-20 | 4.500 |
| 6 | 1.375 | 0.625 | 4.880 | 0.875 | 1/2-20 | 5.000 |
| | 1.750 | 0.750 | 4.880 | 1.125 | 1/2-20 | 5.000 |

Dimensions: Inches

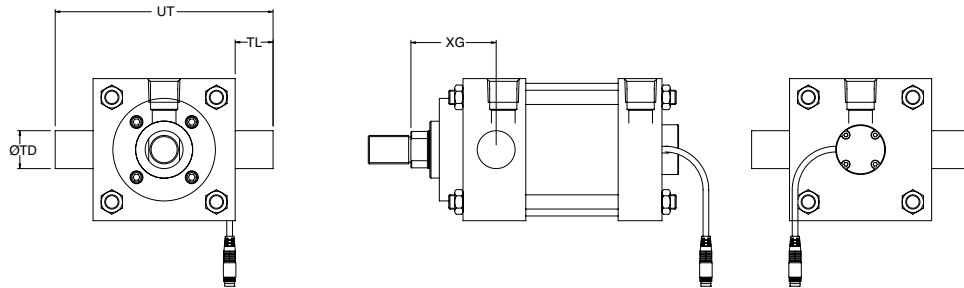
T1 Mount – Head Trunnion

1-1/2" - 2-1/2" Bore



T1 Mount

3-1/4" - 8" Bore

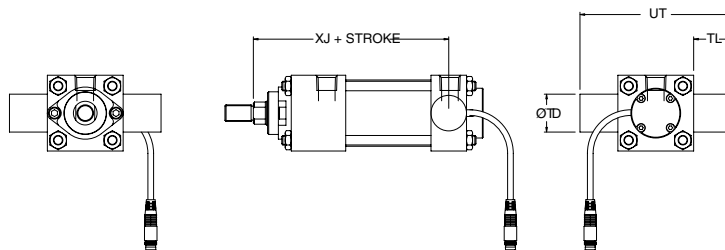


| Bore | Rod Diameter | TD | TL | UT | XG |
|-------|--------------|-------|-------|--------|-------|
| 1-1/2 | 0.625 | 1.000 | 1.000 | 4.000 | 1.750 |
| | 1.000 | 1.000 | 1.000 | 4.000 | 2.125 |
| 2 | 0.625 | 1.000 | 1.000 | 4.500 | 1.750 |
| | 1.000 | 1.000 | 1.000 | 4.500 | 2.125 |
| 2 1/2 | 0.625 | 1.000 | 1.000 | 5.000 | 1.750 |
| | 1.000 | 1.000 | 1.000 | 5.000 | 2.125 |
| 3 1/4 | 1.000 | 1.000 | 1.000 | 5.750 | 2.250 |
| | 1.375 | 1.000 | 1.000 | 5.750 | 2.500 |
| 4 | 1.000 | 1.000 | 1.000 | 6.500 | 2.250 |
| | 1.375 | 1.000 | 1.000 | 6.500 | 2.500 |
| 5 | 1.000 | 1.000 | 1.000 | 7.500 | 2.250 |
| | 1.375 | 1.000 | 1.000 | 7.500 | 2.500 |
| 6 | 1.375 | 1.375 | 1.375 | 9.250 | 2.625 |
| | 1.750 | 1.375 | 1.375 | 9.250 | 2.875 |
| 8 | 1.375 | 1.375 | 1.380 | 11.250 | 2.630 |
| | 1.750 | 1.375 | 1.380 | 11.250 | 2.880 |

Dimensions: Inches

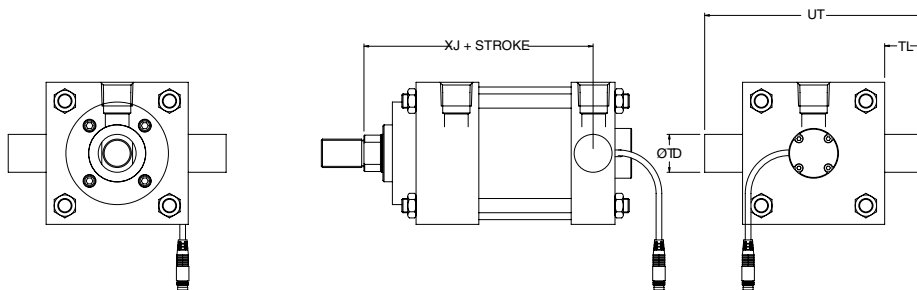
T2 Mount – Cap Trunnion

1-1/2"- 2-1/2" Bore



T2 Mount

3-1/4" - 8" Bore

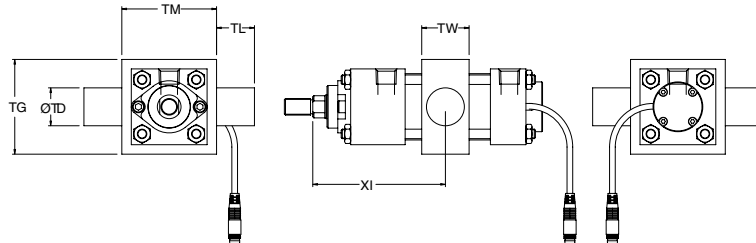


| Bore | Rod Diameter | TD | TL | UT | XJ |
|-------|--------------|-------|-------|--------|-------|
| 1-1/2 | 0.625 | 1.000 | 1.000 | 4.000 | 4.125 |
| | 1.000 | 1.000 | 1.000 | 4.000 | 4.500 |
| 2 | 0.625 | 1.000 | 1.000 | 4.500 | 4.125 |
| | 1.000 | 1.000 | 1.000 | 4.500 | 4.500 |
| 2-1/2 | 0.625 | 1.000 | 1.000 | 5.000 | 4.250 |
| | 1.000 | 1.000 | 1.000 | 5.000 | 4.625 |
| 3-1/4 | 1.000 | 1.000 | 1.000 | 5.750 | 5.000 |
| | 1.375 | 1.000 | 1.000 | 5.750 | 5.250 |
| 4 | 1.000 | 1.000 | 1.000 | 6.500 | 5.000 |
| | 1.375 | 1.000 | 1.000 | 6.500 | 5.250 |
| 5 | 1.000 | 1.000 | 1.000 | 7.500 | 5.250 |
| | 1.375 | 1.000 | 1.000 | 7.500 | 5.500 |
| 6 | 1.375 | 1.375 | 1.375 | 9.250 | 5.875 |
| | 1.750 | 1.375 | 1.375 | 9.250 | 6.125 |
| 8 | 1.375 | 1.375 | 1.380 | 11.250 | 6.000 |
| | 1.750 | 1.375 | 1.380 | 11.250 | 6.250 |

Dimensions: Inches

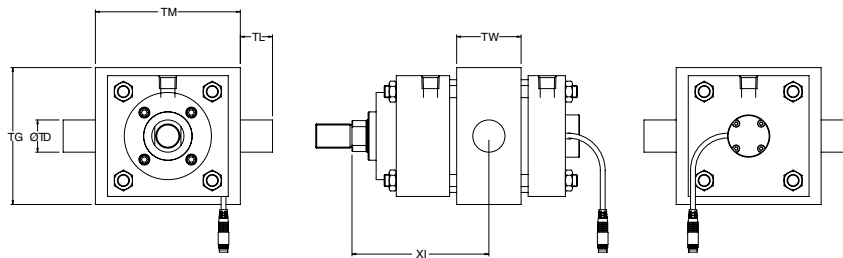
T4 Mount – Intermediate Trunnion

1-1/2" - 2-1/2" Bore



T4 Mount

3-1/4" - 8" Bore



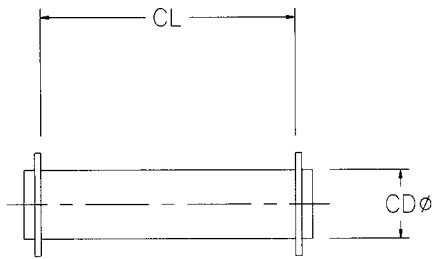
Customer must specify "XI" length.

| Bore | Rod Diameter | TD | TG | TL | TM | TW | XI (Min) |
|-------|--------------|-------|-------|-------|-------|-------|----------|
| 1-1/2 | 0.625 | 1.000 | 2.500 | 1.000 | 2.500 | 1.250 | 3.125 |
| | 1.000 | 1.000 | 2.500 | 1.000 | 2.500 | 1.250 | 3.500 |
| 2 | 0.625 | 1.000 | 3.000 | 1.000 | 3.000 | 1.500 | 3.250 |
| | 1.000 | 1.000 | 3.000 | 1.000 | 3.000 | 1.500 | 3.625 |
| 2-1/2 | 0.625 | 1.000 | 3.500 | 1.000 | 3.500 | 1.500 | 3.250 |
| | 1.000 | 1.000 | 3.500 | 1.000 | 3.500 | 1.500 | 3.625 |
| 3-1/4 | 1.000 | 1.000 | 4.250 | 1.000 | 4.500 | 2.000 | 4.125 |
| | 1.375 | 1.000 | 4.250 | 1.000 | 4.500 | 2.000 | 4.375 |
| 4 | 1.000 | 1.000 | 5.000 | 1.000 | 5.250 | 2.000 | 4.125 |
| | 1.375 | 1.000 | 5.000 | 1.000 | 5.250 | 2.000 | 4.375 |
| 5 | 1.000 | 1.000 | 6.000 | 1.000 | 6.250 | 2.000 | 4.125 |
| | 1.375 | 1.000 | 6.000 | 1.000 | 6.250 | 2.000 | 4.375 |
| 6 | 1.375 | 1.375 | 7.000 | 1.375 | 7.625 | 2.500 | 4.875 |
| | 1.750 | 1.375 | 7.000 | 1.375 | 7.625 | 2.500 | 5.125 |
| 8 | 1.375 | 1.375 | 9.500 | 1.380 | 9.750 | 2.500 | 4.880 |
| | 1.750 | 1.375 | 9.500 | 1.380 | 9.750 | 2.500 | 5.130 |

Accessories

Accessories Guide

| Rod Thread | Rod Clevis | Eye Bracket | Pivot PIN | Rod Eye | Clevis Bracket | Bore |
|------------|------------|-------------|-----------|----------|----------------|-----------------|
| 7/16-20 | A500-301 | A500-101 | A500-401 | A500-201 | A500-001 | 1 1/2, 2, 2 1/2 |
| 1/2-20 | A500-302 | A500-101 | A500-401 | A500-202 | A500-001 | 1 1/2, 2, 2 1/2 |
| 3/4-16 | A500-303 | A500-102 | A500-402 | A500-203 | A500-002 | 3 1/4, 4, 5 |
| 7/8-14 | A500-304 | A500-102 | A500-403 | - | - | - |
| 1-14 | A500-305 | A500-103 | A500-403 | A500-204 | A500-003 | 6 |
| 1 1/4-12 | A500-306 | A500-104 | A500-404 | A500-205 | - | - |
| 1 1/2-12 | A500-307 | A500-105 | A500-405 | A500-206 | - | - |

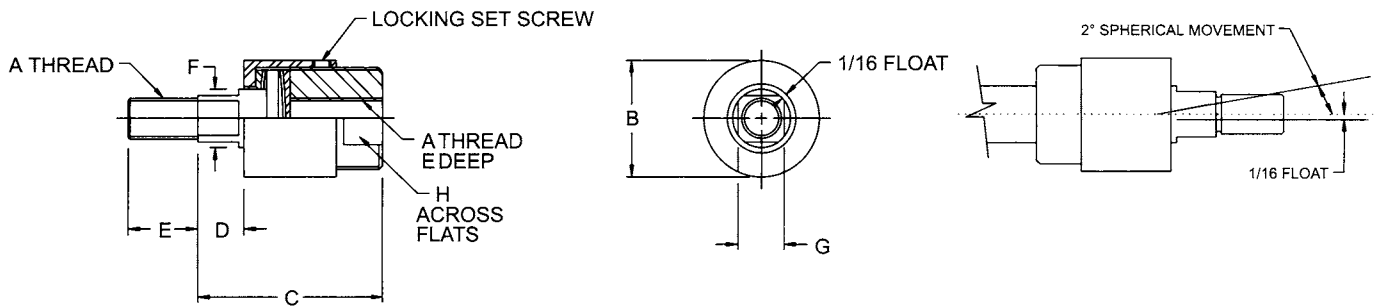


Included with mount codes P1, P2, P3 and P4

Pivot Pin

| Part No. | CD | CL |
|----------|-------|-------|
| A500-401 | 0.500 | 1.875 |
| A500-402 | 0.750 | 2.625 |
| A500-403 | 1.000 | 3.125 |
| A500-404 | 1.375 | 4.125 |
| A500-405 | 1.750 | 5.125 |

Rod Couplers



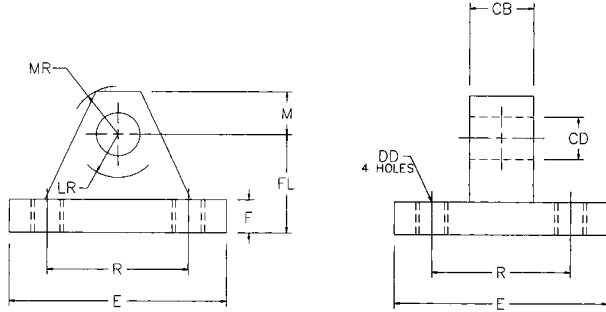
Standard Couplers

| Part Number | | A | B | C | D | E | F | G | H | Maximum Full Load |
|-------------|----------|----------|-------|---------|-------|-------|-------|--------|-------|-------------------|
| Standard | Nickel | | | | | | | | | |
| A500-603 | B500-603 | 7/16-20 | 1 1/4 | 2 | 1/2 | 3/4 | 5/8 | 1/2 | 1 | 2,535 |
| A500-604 | B500-604 | 1/2-20 | 1 1/4 | 2 | 1/2 | 3/4 | 5/8 | 1/2 | 1 | 3,500 |
| A500-605 | B500-605 | 5/8-18 | 1 1/4 | 2 | 1/2 | 3/4 | 5/8 | 1/2 | 1 | 4,700 |
| A500-606 | B500-606 | 3/4-16 | 1 3/4 | 2 5/16 | 1/2 | 1 1/8 | 31/32 | 12/16 | 1 1/2 | 8,750 |
| A500-607 | B500-607 | 7/8-14 | 1 3/4 | 2 5/16 | 1/2 | 1 1/8 | 31/32 | 12/16 | 1 1/2 | 9,750 |
| A500-608 | B500-608 | 1-14 | 2 1/2 | 2 15/16 | 1/2 | 1 5/8 | 1 3/8 | 1 5/32 | 2 1/4 | 16,125 |
| A500-609 | B500-609 | 1 1/4-12 | 2 1/2 | 2 15/16 | 1/2 | 1 5/8 | 1 3/8 | 1 5/32 | 2 1/4 | 19,600 |
| N35-1001 | N35-1004 | 1 1/2-12 | 3 1/4 | 4 3/8 | 13/16 | 2 1/4 | 1 3/4 | 1 1/2 | 3 | 34,000 |

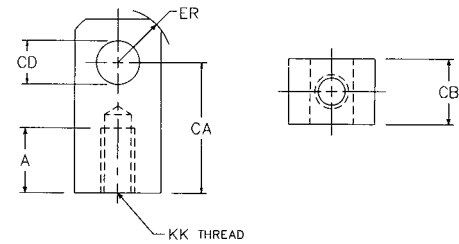
Dimensions: Inches

Accessories

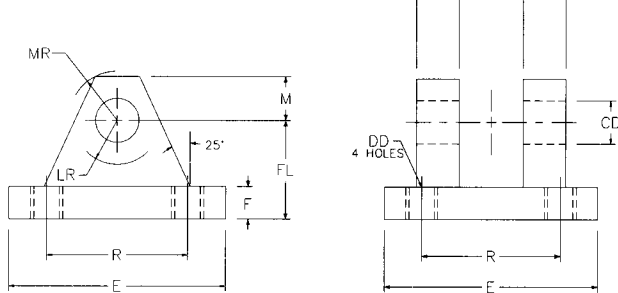
Eye Bracket*



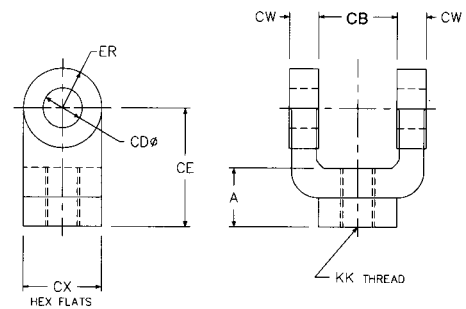
Rod Eye*



Clevis Bracket*



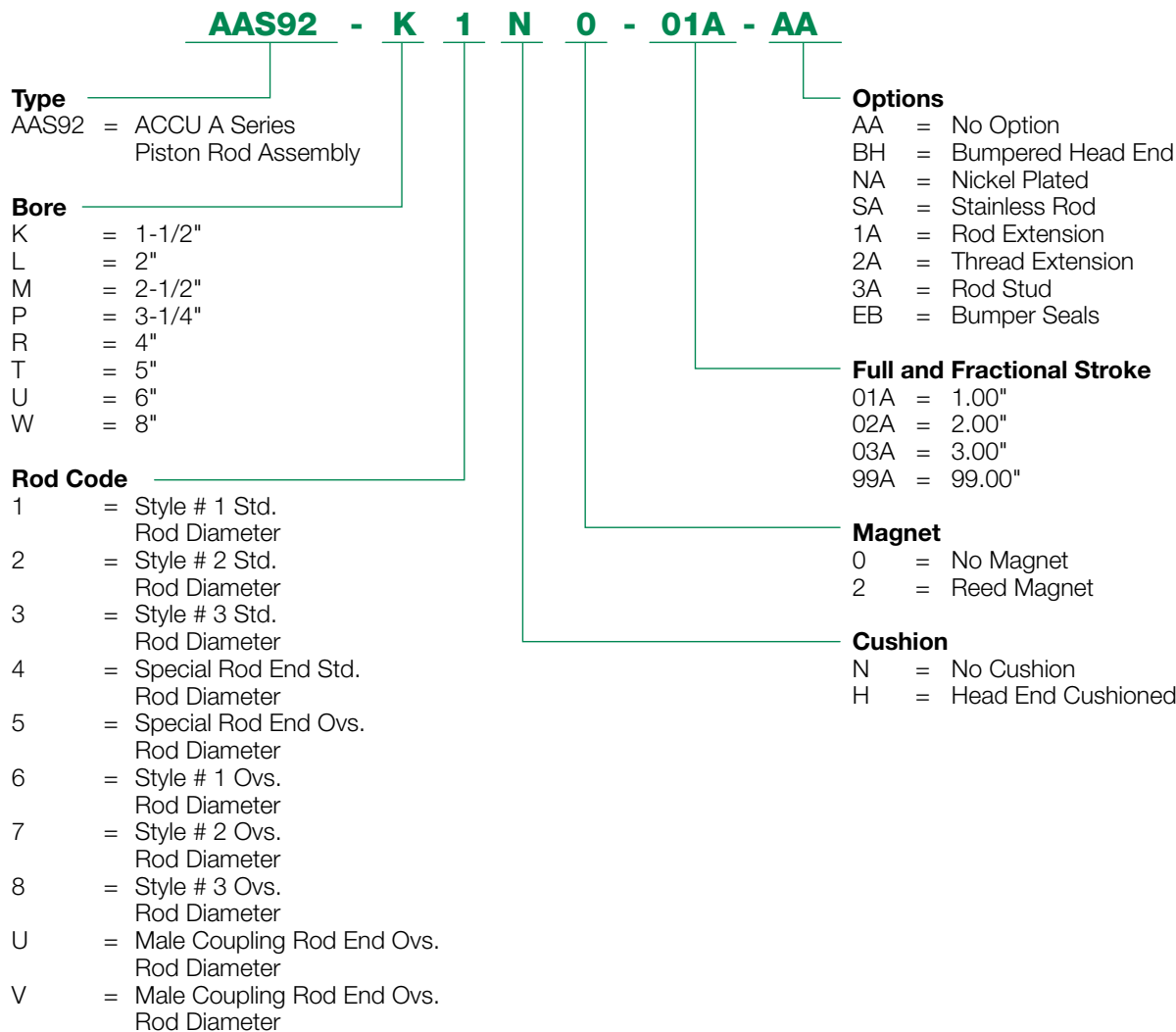
Rod Clevis*



*Order pivot pin separately.

| Part No. | A | CA | CB | CD | CE | CW | CX | DD | E | ER | F | FL | KK | LR | M | MR | R |
|----------------|-------|-------|-------|-------|-------|-------|-------|--------|-------|-------|-------|-------|----------|-------|-------|-------|-------|
| Clevis Bracket | | | | | | | | | | | | | | | | | |
| A500-001 | - | - | 0.750 | 0.500 | - | 0.500 | - | 3/8-24 | 2.500 | - | 0.375 | 1.125 | - | 0.500 | 0.500 | 0.563 | 1.625 |
| A500-002 | - | - | 1.250 | 0.750 | - | 0.625 | - | 1/2-20 | 3.500 | - | 0.625 | 1.875 | - | 1.063 | 0.750 | 1.063 | 2.563 |
| A500-300 | - | - | 1.500 | 1.000 | - | 0.750 | - | 5/8-18 | 4.500 | - | 0.750 | 2.250 | - | 1.250 | 1.000 | 1.125 | 3.250 |
| Eye Bracket | | | | | | | | | | | | | | | | | |
| A500-101 | - | - | 0.750 | 0.500 | - | - | - | 0.406 | 2.500 | - | 0.375 | 1.125 | - | 0.750 | 0.500 | 0.563 | 1.630 |
| A500-102 | - | - | 1.250 | 0.750 | - | - | - | 0.531 | 3.500 | - | 0.625 | 1.875 | - | 1.250 | 0.750 | 0.875 | 2.560 |
| A500-103 | - | - | 1.500 | 1.000 | - | - | - | 0.656 | 4.500 | - | 0.750 | 2.250 | - | 1.500 | 1.000 | 1.250 | 3.250 |
| A500-104 | - | - | 2.000 | 1.375 | - | - | - | 0.656 | 5.000 | - | 0.875 | 3.000 | - | 2.125 | 1.375 | 1.625 | 3.810 |
| A500-105 | - | - | 2.500 | 1.750 | - | - | - | 0.906 | 6.500 | - | 0.875 | 3.125 | - | 2.250 | 1.750 | 2.125 | 4.950 |
| Rod Clevis | | | | | | | | | | | | | | | | | |
| A500-301 | 0.750 | - | 0.750 | 0.500 | 1.500 | 0.500 | 1.000 | - | - | 0.500 | - | - | 7/16-20 | - | - | - | - |
| A500-302 | 0.750 | - | 0.750 | 0.500 | 1.500 | 0.500 | 1.000 | - | - | 0.500 | - | - | 1/2-20 | - | - | - | - |
| A500-303 | 1.125 | - | 1.250 | 0.750 | 2.375 | 0.625 | 1.250 | - | - | 0.750 | - | - | 3/4-16 | - | - | - | - |
| A500-304 | 1.625 | - | 1.500 | 1.000 | 3.125 | 0.750 | 1.500 | - | - | 1.000 | - | - | 7/8-14 | - | - | - | - |
| A500-305 | 1.625 | - | 1.500 | 1.000 | 3.125 | 0.750 | 1.500 | - | - | 1.000 | - | - | 1-14 | - | - | - | - |
| A500-306 | 2.000 | - | 2.000 | 1.375 | 4.125 | 1.000 | 2.000 | - | - | 1.375 | - | - | 1 1/4-12 | - | - | - | - |
| A500-307 | 2.250 | - | 2.500 | 1.750 | 4.500 | 1.250 | 2.375 | - | - | 1.750 | - | - | 1 1/2-12 | - | - | - | - |
| Rod Eye | | | | | | | | | | | | | | | | | |
| A500-201 | 0.750 | 1.500 | 0.750 | 0.500 | - | - | - | - | - | 0.625 | - | - | 7/16-20 | - | - | - | - |
| A500-202 | 0.750 | 1.500 | 0.750 | 0.500 | - | - | - | - | - | 0.625 | - | - | 1/2-20 | - | - | - | - |
| A500-203 | 1.125 | 2.063 | 1.250 | 0.750 | - | - | - | - | - | 0.875 | - | - | 3/4-16 | - | - | - | - |
| A500-204 | 1.625 | 2.813 | 1.500 | 1.000 | - | - | - | - | - | 1.188 | - | - | 1-14 | - | - | - | - |
| A500-205 | 2.000 | 3.438 | 2.000 | 1.375 | - | - | - | - | - | 1.563 | - | - | 1 1/4-12 | - | - | - | - |
| A500-206 | 2.250 | 4.000 | 2.500 | 1.750 | - | - | - | - | - | 2.000 | - | - | 1 1/2-12 | - | - | - | - |

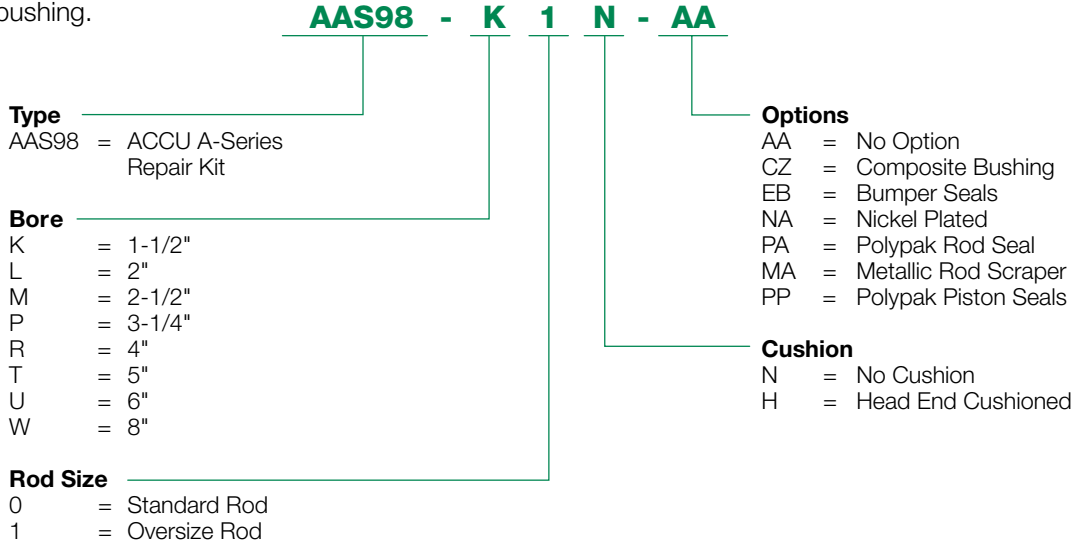
Accu A Series Piston Rod Assembly How To Order



Note: Options listed are ones that apply to a piston rod assembly only.
Model number is set up to use option code supplied with original cylinder or with any above.

Repair Kit How To Order

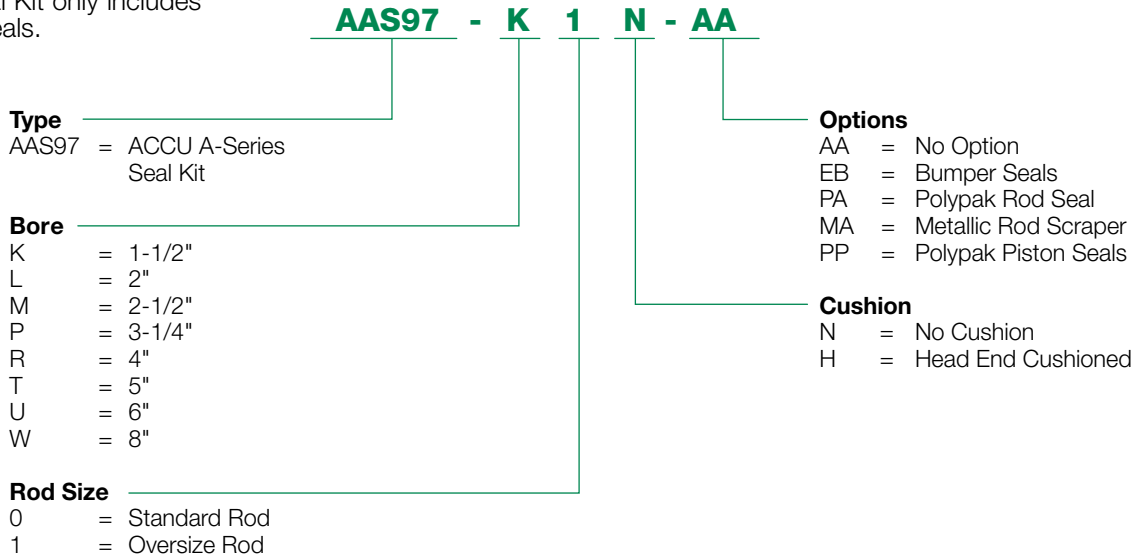
A Repair Kit includes all seals and a bushing.



Note: Options listed are ones that apply to a repair kit only. Model number is set up to use option code supplied with original cylinder or with any above.

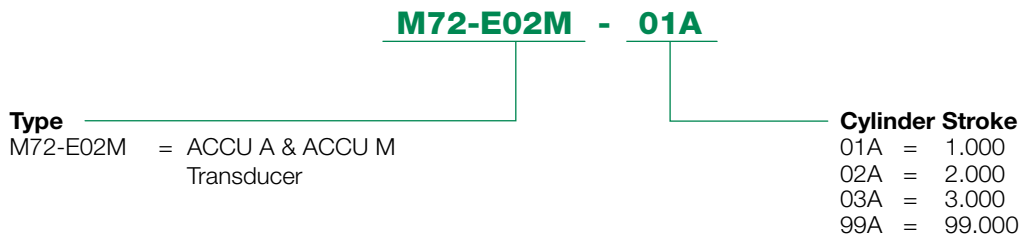
Seal Kit How To Order

A Seal Kit only includes the seals.



Note: Options listed are ones that apply to a seal kit only. Model number is set up to use option code supplied with original cylinder or with any above.

Transducer Kit How To Order



The **Accu M Series** is a stainless steel body air cylinder that contains an internal Linear Resistive Transducer (LRT). It is ideal for applications where traditional magnetic position sensing is not acceptable. Additionally, the Accu M Series is conducive where variations in cylinder stroke and speed are required or where an application calls for continuous position monitoring.

Piston Rod

The type 303 stainless steel piston rod is ground, polished, and roller burnished for a hard, mirror finish that will ensure long, corrosion-free longevity. (Note: The 1-1/16" bore is chrome plated 1050 steel.)

Rod Thread

Roll-formed rod threads (at both ends) ensure a durable customer-end connection as well as piston to rod connection.

Rod Bushing

Oil impregnated sintered bronze rod bushing provides excellent wear resistance and anti-friction qualities for smooth operation and long life.

End Caps

The end caps are made from a high strength aluminum alloy.

Ports

Unrestricted (full-flow) ports in conjunction with rectangular slots on the piston-mating surface (at both ends) enable the air to work on a larger piston area for effortless breakaway (even at low pressures).

Tube

The type 304 stainless steel tube, drawn and polished to a micro-inch finish on the I.D., enables low friction and longevity.

Crimp

The cylinder body is attached to the end caps using innovative assembly equipment that ensures a consistent and reliable double rolled-in crimp.

Piston

High strength aluminum alloy piston. Piston rod connections are threaded (roll-formed threads), sealed with Loctite Threadlocker®, torqued, and staked for a solid, leak-proof connection.

Threadlocker® is a registered trademark to the Loctite Corporation.

Piston Seals

Low friction Buna N "U" cup pistons seals are wear compensating for millions of maintenance free cycles.

Rod Seal/Wiper

The low friction Buna N "U" cup rod seal is wear compensating to ensure longevity.

Cylinder Lubrication

Pre-lubricated with our specially formulated oil based compound for extensive maintenance free performance.

Linear Resistive Transducer (LRT) Probe

The LRT is an anodized aluminum probe with a reinforced threaded flange and thread seal. The probe processes infinite resolution, with a non-linearity of ± 1 percent of full stroke.

Furthermore, the probe is rated for 10 million cycles. Typical probe input is 10VDC (maximum voltage is 28VDC and maximum current draw is less than 2mA), input impedance required is 1 Mohm. The probe temperature rating is -40° to 250° F. Maximum velocity is 50"/sec.



Linear Resistive Transducer (LRT) Wiper

The LRT wiper is precision molded assembly that is rated for more than 1000 linear miles of travel.

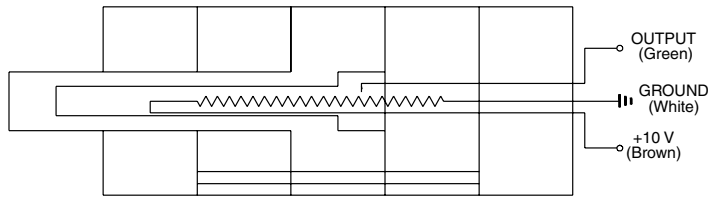
3 Pin Connector

The customer friendly connector is supplied as standard on all Accu A Series cylinders. The connector has a universal 8 mm, 3 pin, Nano male connection.

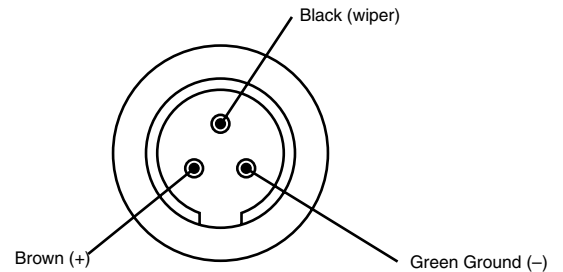
Standard Specification:

- 303 stainless steel piston rods are standard (except 1-1/16" bore)
- 304 stainless steel cylinder tube
- Aluminum head and caps
- Maximum pressure rating is 100 psi air
- Seven bore sizes – 1-1/16" – 3"
- Rod wipers
- Cylinder standard temperature -10° F to +165° F
- Probe Standard Temperature -40° F to +250° F
- Continuous position sensing
- Extremely accurate:
 - Infinite resolution, linearity of ± 1 percent of full stroke, ± .001" mechanical repeatability
- Electronic controllers available for dual set points and scalable analog output applications
- Quick connect (IP65) standard on all models

MLRT Circuit Diagram

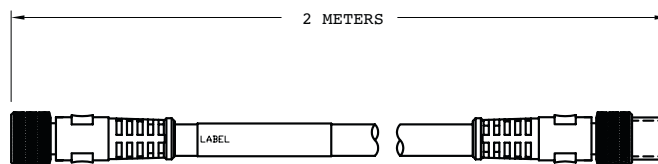


Connector Pin Assignments

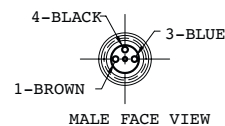
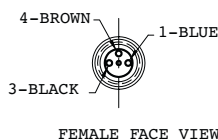


Note: Control Module Units sold separately can have scalable output of 4-20 mA or 0-10 VDC and input of 120 VAC or 12-24 VDC.

Connector Cable part number N99-1120



NOTE: SPECIAL CRISS-CROSS WIRING



How To Order

10 AM 1 - 06 A - 01

Cylinder Bore

- 10 = 1-1/16"
- 15 = 1-1/2"
- 20 = 2"
- 25 = 2-1/2"
- 30 = 3"

Cylinder Type

- AM = ACCU M Series

Cylinder Mounting

- 1 = Front Nose
- 2 = Rear Pivot
- 5 = Block Mount

Options

- 00 = No Options (or leave blank)
- 01 = Bumpers
Note: Bumpers add .125" to OAL per end.

Fractional Inches of Stroke

- A = 0"
- I = 1/2"

Standard Full Inches of Stroke

- 01 = 1" Stroke
- 02 = 2" Stroke
- 03 = 3" Stroke
- 04 = 4" Stroke
- 06 = 6" Stroke
- 08 = 8" Stroke
- 12 = 12" Stroke
- 18 = 18" Stroke (Maximum)

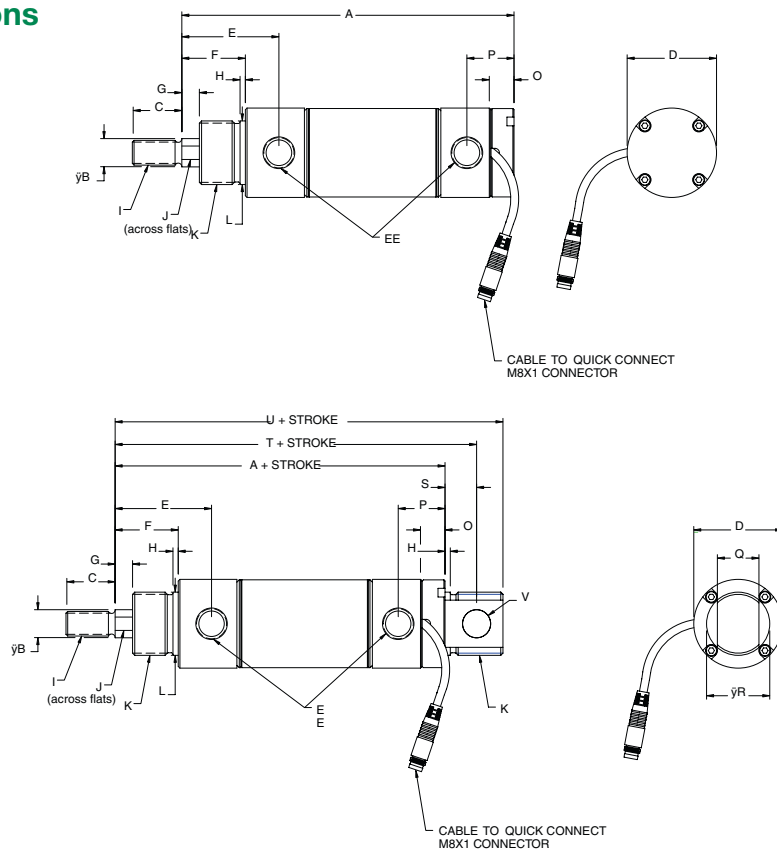
Note: Transducers are only available in the "Standard" strokes listed. Non-standard full inch or fractional strokes will use the smallest available "Standard" length transducer to cover the entire stroke. In these cases, the analog output will be less than 10V at full stroke.

Note: Non-standard stroke lengths will increase lead time.

Consult factory for fractional stroke information.

Dimensions: Inches

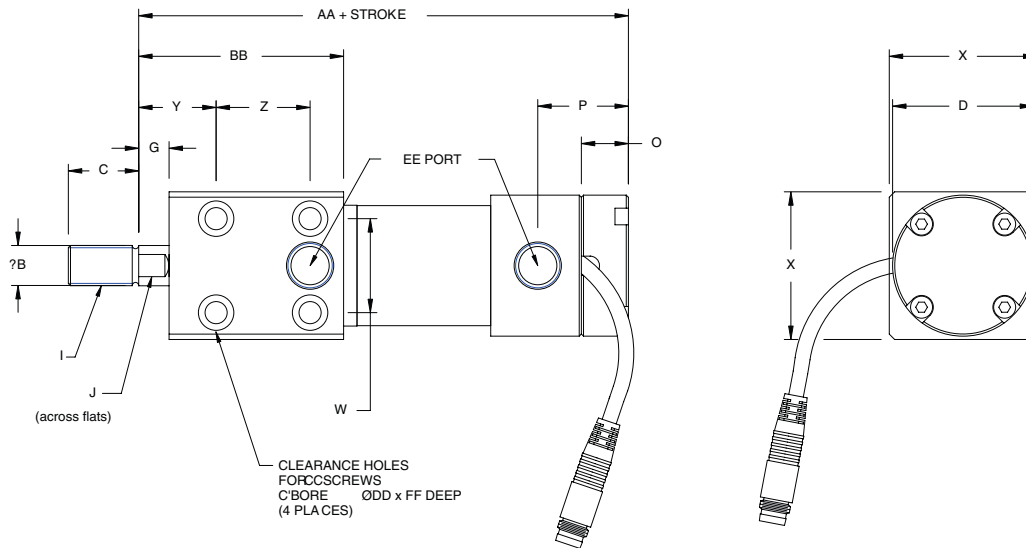
Cylinder Dimensions



| | 1-1/16" Bore | 1-1/2" Bore | 2" Bore | 2-1/2" Bore | 3" Bore |
|----|---------------------|--------------------|----------------|--------------------|----------------|
| A | 4.59 | 4.88 | 5.46 | 6.41 | 6.78 |
| B | 0.38 | 0.50 | 0.63 | 0.75 | 0.75 |
| C | 0.63 | 0.88 | 1.00 | 1.25 | 1.25 |
| D | 1.312 | 1.56 | 2.08 | 2.63 | 3.16 |
| E | 1.75 | 1.72 | 1.92 | 2.25 | 2.16 |
| F | 1.06 | 1.13 | 1.188 | 1.50 | 1.438 |
| G | 0.31 | 0.31 | 0.38 | 0.44 | 0.44 |
| H | 0.09 | 0.09 | 0.13 | 0.13 | 0.19 |
| I | 5/16-24 UNF | 7/16-20 UNF | 1/2-20 UNF | 5/8-18 UNF | 5/8-18 UNF |
| J | 0.31 | 0.44 | 0.50 | 0.63 | 0.63 |
| K | 7/8-14 UNF | 1 1/8-12 UNF | 1 1/4-12 UNF | 1 3/8-12 UNF | 1 1/2-12 UNF |
| L | 0.875 | 1.125 | 1.375 | 1.500 | 1.625 |
| O | 0.44 | 0.41 | 0.50 | 0.56 | 0.63 |
| P | 0.84 | 0.83 | 0.93 | 1.13 | 1.47 |
| Q | 0.38 | 0.63 | 0.75 | 0.875 | 0.88 |
| R | 0.875 | 1.125 | 1.375 | 1.50 | 1.825 |
| S | 0.47 | 0.56 | 0.56 | 0.75 | 0.81 |
| T | 5.06 | 5.44 | 6.02 | 7.16 | 7.59 |
| U | 5.34 | 5.91 | 6.46 | 7.78 | 8.22 |
| V | 0.25 | 0.38 | 0.38 | 0.50 | 0.50 |
| EE | 1/8 NPTF | 1/4 NPTF | 1/4 NPTF | 3/8 NPTF | 3/8 NPTF |

Dimensions: Inches

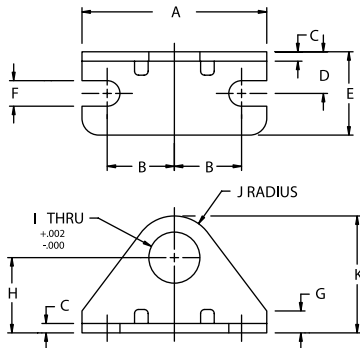
Block Mount Cylinder Dimensions



| Bore | B | C | D | G | J | I | O | P | W | X | Y | Z | AA | BB | CC | DD | EE | FF |
|--------|------|------|------|------|------|---------|------|------|------|------|------|------|------|------|------|------|----------|------|
| 1-1/16 | 0.38 | 0.63 | 1.31 | 0.31 | 0.31 | 3/8-24 | 0.44 | 0.84 | 0.88 | 1.38 | 0.75 | 0.88 | 4.59 | 1.94 | #10 | 0.33 | 1/8 NPTF | 0.20 |
| 1-1/2 | 0.50 | 0.88 | 1.56 | 0.31 | 0.44 | 7/16-20 | 0.41 | 0.83 | 1.25 | 1.75 | 0.69 | 0.75 | 4.88 | 2.06 | 1/4 | 0.41 | 1/4 NPTF | 0.25 |
| 2 | 0.63 | 1.00 | 2.08 | 0.38 | 0.50 | 1/2-20 | 0.50 | 0.93 | 1.44 | 2.25 | 0.75 | 1.00 | 5.72 | 2.71 | 3/8 | 0.58 | 1/4 NPTF | 0.39 |
| 2-1/2 | 0.75 | 1.25 | 2.63 | 0.44 | 0.63 | 5/8-18 | 0.56 | 1.13 | 1.88 | 2.75 | 0.88 | 1.25 | 6.41 | 2.88 | 7/16 | 0.69 | 3/8 NPTF | 0.45 |
| 3 | 0.75 | 1.25 | 3.16 | 0.44 | 0.63 | 5/8-18 | 0.63 | 1.47 | 2.25 | 3.25 | 0.94 | 1.38 | 6.78 | 2.75 | 1/2 | 0.77 | 3/8 NPTF | 0.52 |

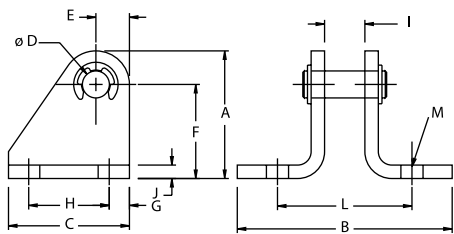
Accessories

Nose Mounting Brackets



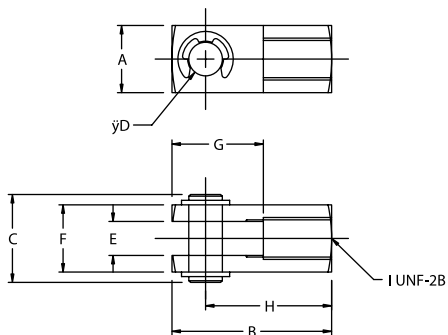
| Bore | A | B | C | D | E | F | G | H | I | J | K | Part # |
|--------|------|-------|------|------|------|------|------|------|------|------|------|---------|
| 1-1/16 | 2.13 | 0.781 | 0.16 | 0.66 | 1.16 | 0.28 | 0.32 | 1.00 | 0.88 | 0.75 | 1.75 | M117013 |
| 1-1/2 | 2.75 | 1.06 | 0.19 | 0.81 | 1.44 | 0.34 | 0.38 | 1.25 | 1.13 | 0.91 | 2.19 | M117012 |
| 2 | 3.13 | 1.13 | 0.25 | 1.00 | 1.63 | 0.34 | 0.63 | 1.50 | 1.38 | 1.00 | 2.50 | M117009 |
| 2-1/2 | 3.75 | 1.44 | 0.25 | 1.00 | 1.63 | 0.34 | 0.75 | 1.75 | 1.50 | 1.25 | 3.00 | M117010 |
| 3 | 4.38 | 1.75 | 0.25 | 1.00 | 1.63 | 0.34 | 0.89 | 1.89 | 1.63 | 1.25 | 3.14 | M117011 |

Pivot Mounting Brackets



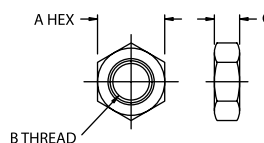
| Bore | A | B | C | D | E | F | G | H | I | J | L | Part # |
|--------|------|------|------|------|------|------|------|------|------|------|------|---------|
| 1-1/16 | 1.19 | 2.00 | 1.13 | 0.25 | 0.31 | 0.88 | 0.19 | 0.75 | 0.38 | 0.13 | 1.25 | M129003 |
| 1-1/2 | 1.75 | 2.88 | 1.50 | 0.38 | 0.38 | 1.38 | 0.25 | 1.00 | 0.63 | 0.25 | 2.00 | M129005 |
| 2 | 1.75 | 3.00 | 1.50 | 0.38 | 0.38 | 1.38 | 0.25 | 1.00 | 0.63 | 0.25 | 2.13 | M229005 |
| 2-1/2 | 2.25 | 3.88 | 1.75 | 0.50 | 0.50 | 1.75 | 0.25 | 1.25 | 0.88 | 0.25 | 2.63 | M229005 |
| 3 | 2.25 | 3.88 | 1.75 | 0.50 | 0.50 | 1.75 | 0.25 | 1.25 | 0.88 | 0.25 | 2.63 | M229006 |

Rod Clevises



| Bore | A | B | C | D | E | F | G | H | I | Part # |
|--------|------|------|------|------|------|------|------|------|---------|---------|
| 1-1/16 | 0.50 | 1.19 | 0.68 | 0.25 | 0.25 | 0.50 | 0.68 | 0.94 | 5/16-24 | M127004 |
| 1-1/2 | 0.75 | 1.69 | 1.03 | 0.38 | 0.38 | 0.75 | 0.94 | 1.31 | 7/16-20 | M127005 |
| 2 | 0.75 | 1.69 | 1.03 | 0.38 | 0.38 | 0.75 | 0.94 | 1.31 | 1/2-20 | M127006 |
| 2-1/2 | 1.00 | 2.75 | 1.28 | 0.50 | 0.50 | 1.00 | 1.50 | 2.25 | 5/8-18 | M127006 |
| 3 | 1.00 | 2.75 | 1.28 | 0.50 | 0.50 | 1.00 | 1.50 | 2.25 | 5/8-18 | M127007 |

Mounting Nuts



| Part # | A | B | C |
|---------|-------|----------|------|
| M18-004 | 0.50 | 5/16-24 | 0.19 |
| M190003 | 0.687 | 7/16-20 | 0.25 |
| M190004 | 0.750 | 1/2-20 | 0.31 |
| M190005 | 0.938 | 5/8-18 | 0.38 |
| M190007 | 1.312 | 7/8-14 | 0.48 |
| M190015 | 1.688 | 1 1/8-12 | 0.61 |
| M190009 | 1.875 | 1 1/4-12 | 0.50 |
| M190012 | 2.06 | 1 3/8-12 | 0.50 |
| M190013 | 2.25 | 1 1/2-12 | 0.84 |

Transducer Kit How To Order

M72-E02M - 01A

Type
M72-E02M = ACCU A & ACCU M
Transducer

Cylinder Stroke
01A = 1.000
02A = 2.000
03A = 3.000
99A = 99.000

The **Accu Slide Series** is a pneumatic slide that is driven by a cylinder that contains an internal Linear Resistive Transducer (LRT). It enables position feedback capability for applications where space is limited and when a load must be guided to prevent rotation.

A. Body:

Hardcoat Anodized Aluminum(6061-T6511)

Lightweight, durable, high strength to weight ratio.

Standard Dowel Location Holes

Allows precision mounting.

Multi-Surface Mounting Holes

Flexible, easy access for mounting.

B. Air Cylinder (ACCU M Series):

Standard Stainless Steel Body and Rod

Corrosion resistant.

Standard w/ Magnetic Piston

Sensing applications (Hall, Reed or Prox) added as required.

C. Alignment Coupler:

Isolates Piston Rod from side loading

Maximize life of cylinder, 360 degrees of float.

D. Tooling Plate:

NuMate Universal Mounting Pattern

Standardized mounting system, eliminates custom transition plates.

Holes Drilled/Tapped and C'bored from the opposite side

Easy mounting.

Standard Dowel Locating Holes

Precision mounting.

E. Guide Shafts:

Hardened Steel to Rc 60 - 65

Long life.

Hardened Stainless Steel to Rc 50 - 55

Long life.

Precision Ground & Polished to 15uRMS

Smooth cycling/low breakaway.

Pilot Mounted to Tooling Plate

Maximum rigidity.

Large Diameters

Increased load capacity.

F. Bearings: (Three Choices)

Four Precision Linear Ball Bearings Sealed with Rod Wipers

Safe guarding against dirt & contamination.

Self-Aligning

Reducing wear, maximizing both. load capacity and long life.

Four Sintered Bronze Sleeve Bearings Oil Impregnated

Self lubricating.

High Pv Rating

Long service life.

Four Frelon® Compounded PTFE Low Friction

Longest wear life.

Maintenance Free

Self lubricating.

G. Bumpers: (Standard)

Polyurethane Material

Durable and long lasting.

Integrated into body Design

Reduces shock loading on extend & retract.

Preliminary Rod Wiper

Removes larger contamination from Guide Shafts.

H. Adjustable Shaft Collars: (Standard)

Extend Stroke Adjustment

Flexibility.



The **Accu Gantry Series** is a pneumatic gantry slide that is driven by a cylinder that possesses an internal Linear Resistive Transducer (LRT). It enables position feedback capability for applications that require fundamental gantry motion.

The design centers around a moving carriage between two fixed tool bars. The carriage is supported and guided by four bearings and two hardened guide shafts.



A. Carriage:

Hardcoat Anodized Aluminum

Lightweight, high durability. NuMate Direct Mounting Pattern NuMate is a patented mounting system eliminating the need for adaptor/transition plates. Slide, gantries and grippers mount directly to the GS gantry.

B. Air Cylinder:

Standard Stainless Steel Body and Rod

Corrosion resistant.

Standard Magnetic Piston

Sensing options Reed, Hall, Prox sensors, able to be added in field.

C. Alignment Coupler:

360 Degrees of Float

Isolates cylinder, eliminates destructive side load, maximizes life.

D. Tool Bars:

Standard Dowel Locating Hole and Slot

Accurate mounting and positioning.

Standard Tapped Holes for Shock Absorbers

Accepts industry standard shocks.

E. Guide Shafts: (Two Choices)

Hardened Steel

Hardness Rc 60-65, long life.

Hardened Stainless Steel

Hardness Rc 50-55, corrosion resistant.

Precision Ground and Polished 15u RMS

Smooth cycling, low breakaway.

Large Diameter

Increased load capacity.

Pilot Mounted to Tool Bar

Maximum rigidity, increased strength.

F. Bearings: (Two Choices)

Four Linear Ball Bearings

Greatest load capacity, self-lubricating, built-in seals and wipers, self-aligning.

Four Frelon® Compounded PTFE

Self-lubricating, self-aligning, long service life, ideal for cleanroom.

G. Stroke Adjustment Screws:

Standard Extend and Retract

Fine adjustment for carriage travel.



World Class Supplier of Pneumatic Components



World Headquarters

USA Numatics, Incorporated

46280 Dylan Drive
Novi, Michigan 48377

P: 248-596-3200
F: 248-596-3201

Canada Numatics, Ltd

P: 519-758-2700
F: 519-758-5540

México - Ascomatica SA de CV

P: 52 55 58 09 56 40 (DF y Area metropolitana)
P: 01 800 000 ASCO (2726) (Interior de la República)
F: 52 55 58 09 56 60

Brazil Ascoval Ind.e Comercio Ltda

P: (55) 11-4208-1700
F: (55) 11-4195-3970