



Badger Meter

Flow Transmitter with Local Display

Model RT-30SD

DESCRIPTION

The Model RT-30SD flow transmitter is ideal for any industry or flow measurement application where a local rate and total display is required and in locations where equipment is exposed to the elements.

FEATURES

- Available in single and dual access models
- Can be mounted directly on flow meter or in remote location
- HART® communication protocol option for remote monitoring and programming

Options for Remote Indication

The RT-30 has options for remote flow monitoring:

- Frequency pulse output (standard)
- 4...20 mA, user scalable (standard)
- HART communication protocol (optional)

Easy Field Programming

Flow rate or total can be easily programmed to display in your choice of engineering units. To change any key functions, use the magnet that is attached. No opening of the enclosure is required.

Remote Mounting Available

The RT-30 can be mounted remotely when used in conjunction with any frequency output sensor.

Up and Running in Minutes

Easy thread-in installation. A quick setup procedure allows you to have the flow monitor working with just a few simple programming steps.

Flexible Mounting

Because of the integral swivel union, the RT-30 unit can be rotated 360° for optimal viewing from any angle. Options available to fit any Gear Meter or SABRE Turbine Meter.

Weatherproof Enclosure

NEMA 4X enclosure provides environmental protection from moisture and debris.

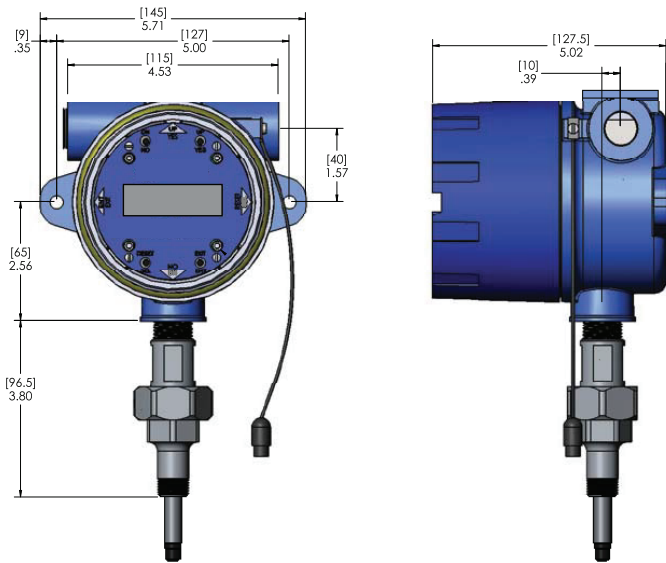


SPECIFICATIONS

Power Requirement	9...24V DC 200 mA (customer supplied) Class 2
Analog Output	4...20 mA
	PWM converter
	3- or 2-wire plus separate supply
	Max load impedance 500 Ohm
Frequency Output	—
Three Opto-Isolated Open-Collector Outputs	Programmable for frequency or limit outputs
	5...30V DC rating
	40 mA max. (min. load impedance required: 600 Ohm @ 30V DC)
Linearizer	Built in, 30 point
Frequency Range	0...4500 Hz
Temperature Rating	- 4...140° F (-20...60° C)
Connection	3/4" female NPT conduit provisions
One Optio-Isolated Input	9...24V DC remote reset

DIMENSIONS

Single Access Enclosure (shown with HUB-40 sensor)



Part Number Guide

RT - 30SD -

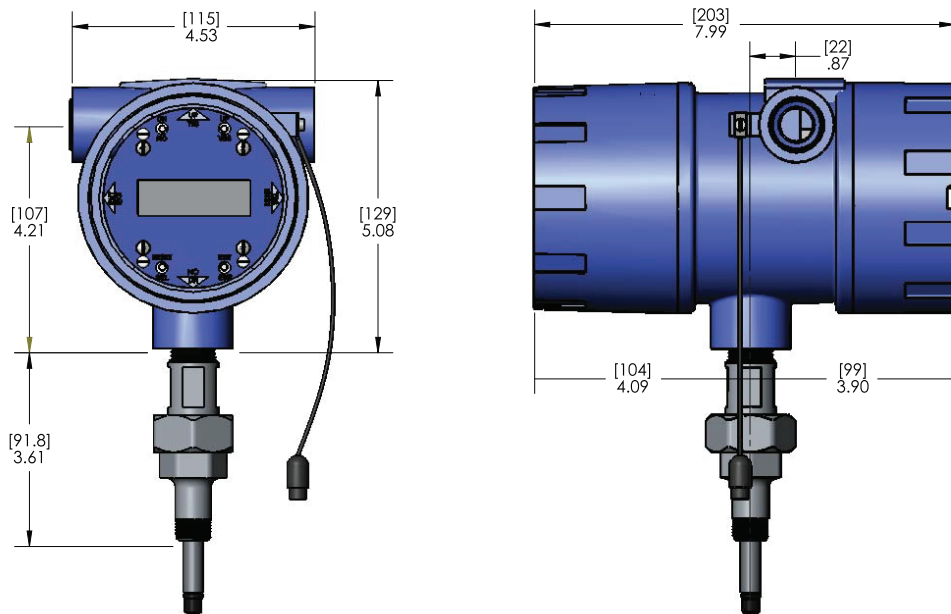
Enclosure style:
D = Dual access
S = Single access
T = Single access, 316 stainless steel

Sensor:
00 = None *
 (Remote Mount)
02 = HUB-40SD1-S5-H2
11 = MAG-PB
31 = CAPM-15
41 = MG-300
42 = MG-450
81 = IR-PB

Communication Protocol:
"blank" = none
H = Hart®

*Requires external sensor

Dual Access Enclosure (shown with HUB-40 sensor)



Control. Manage. Optimize.

Trademarks appearing in this document are the property of their respective entities. Due to continuous research, product improvements and enhancements, Badger Meter reserves the right to change product or system specifications without notice, except to the extent an outstanding contractual obligation exists. © 2014 Badger Meter, Inc. All rights reserved.

www.badgermeter.com

The Americas | Badger Meter | 4545 West Brown Deer Rd | PO Box 245036 | Milwaukee, WI 53224-9536 | 800-876-3837 | 414-355-0400
 México | Badger Meter de las Americas, S.A. de C.V. | Pedro Luis Ogazón N°32 | Esq. Angelina N°24 | Colonia Guadalupe Inn | CP 01050 | México, DF | México | +52-55-5662-0882
 Europe, Middle East and Africa | Badger Meter Europa GmbH | Nurtlinger Str 76 | 72639 Neuffen | Germany | +49-7025-9208-0
 Europe, Middle East Branch Office | Badger Meter Europe | PO Box 341442 | Dubai Silicon Oasis, Head Quarter Building, Wing C, Office #C209 | Dubai / UAE | +971-4-371 2503
 Czech Republic | Badger Meter Czech Republic s.r.o. | Mařikova 2082/26 | 621 00 Brno, Czech Republic | +420-5-41420411
 Slovakia | Badger Meter Slovakia s.r.o. | Racianska 109/B | 831 02 Bratislava, Slovakia | +421-2-44 63 83 01
 Asia Pacific | Badger Meter | 80 Marine Parade Rd | 21-04 Parkway Parade | Singapore 449269 | +65-63464836
 China | Badger Meter | 7-1202 | 99 Hangzhong Road | Minhang District | Shanghai | China 201101 | +86-21-5763 5412