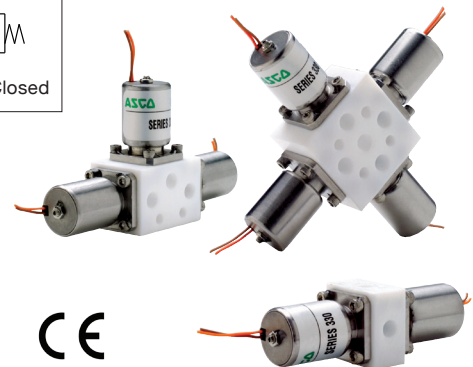
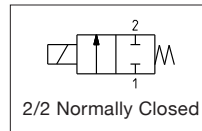


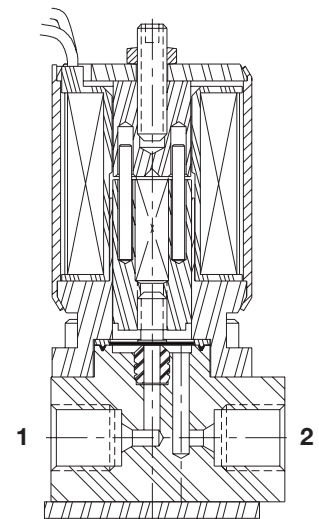
- PTFE isolation valves are designed for use with highly aggressive liquids
- The PTFE body and diaphragm isolates the internal solenoid components from the media resulting in a virtually impervious valve
- Excellent self-draining capability and easy-to-flush low-volume internal cavity make these valves ideal in application where cross-contamination must be minimized
- Compact architecture and low power consumption make them ideal for analytical bench-top instrumentation
- Available in a 2, 3, or 4 position PTFE manifold configuration.
- Meets all relevant CE directives, and is RoHS compliant
- Typical applications include:
 - Chromatography
 - Solvent Selection/Diversion
 - Sample Preparation
 - Liquid Spectrometry



Fluids*	Temperature Range	Wetted Materials*
Liquids or Gases	0 °C to 25 °C (32 °F to 77 °F)	PTFE, PCTFE

* Ensure that the compatibility of the fluids in contact with the materials is verified

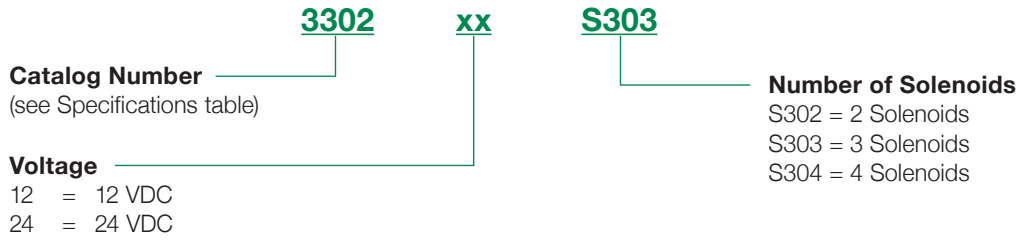
General Valve Information	
Response Time	< 5ms
Internal Volume	20µl port 1 to seat 52µl port 2 to seat



Electrical Characteristics	
Standard Voltages	12 VDC, 24 VDC
Power Consumption	2.9 to 3.8 Watts
Duty Cycle Rating	Continuous
Coil Insulation	180 °C (356 °F)
Electrical Connection	26 AWG Lead Wire

Specifications								
Connection	Orifice Size	Flow Coefficient		Pressure Differential bar (psi)		Catalog Number	Number of Solenoids	Power Coil
		Kv (m3/h)	Cv	min.	max.			W
1/4-28 UNF Flat Bottom	1.57 (0.062)	0.026	0.030	-1 (-14.5)	2 (29)	3302xxS302	2	2.9 (12 VDC), 3.8 (24 VDC)
1/4-28 UNF Flat Bottom	1.57 (0.062)	0.026	0.030	-1 (-14.5)	2 (29)	3302xxS303	3	2.9 (12 VDC), 3.8 (24 VDC)
1/4-28 UNF Flat Bottom	1.57 (0.062)	0.026	0.030	-1 (-14.5)	2 (29)	3302xxS304	4	2.9 (12 VDC), 3.8 (24 VDC)

How to Order

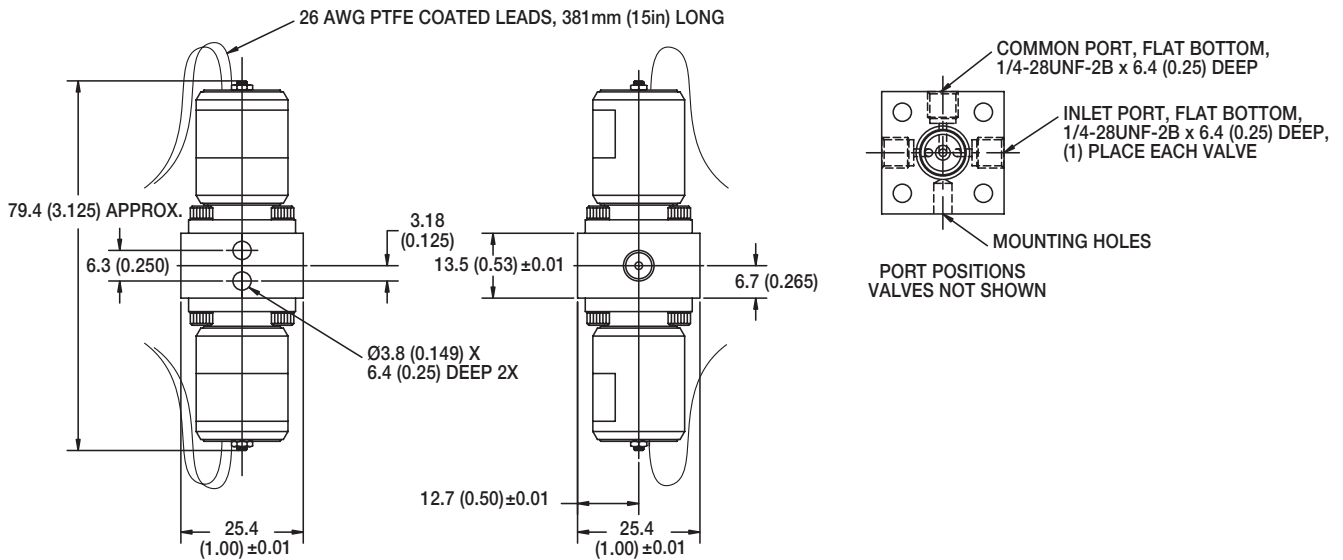


Ordering Example: 190212S30 = 2-Way normally closed valve with 1/4-28 UNF, flat bottom ports and 12 VDC coil rated at 2.9 Watts
 330224S303 = 3, 2-Way normally closed valves mounted on a manifold with 1/4-28 UNF, flat bottom ports and 24 VDC coil rated at 3.8 Watts

Dimensions: mm (inches)

Dimensional Drawings

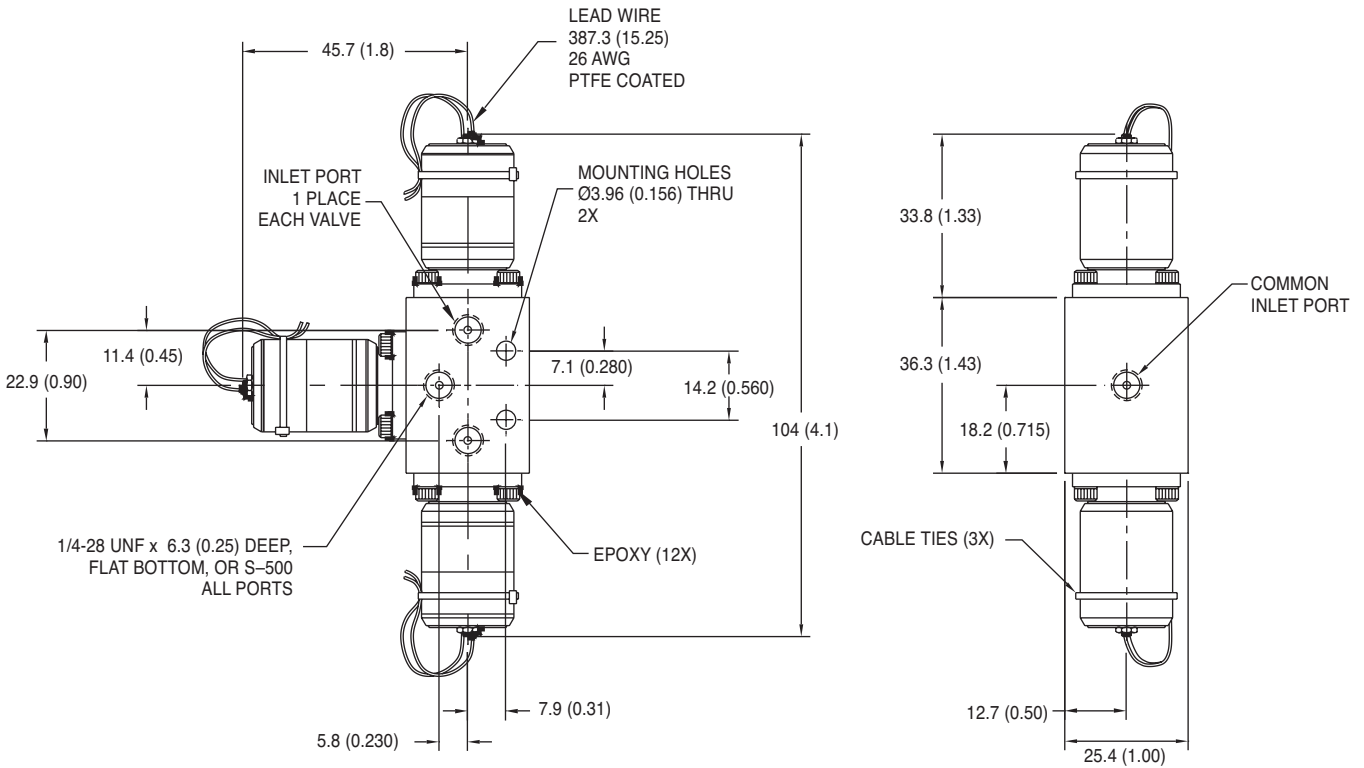
330 Series 2 Position Valve Manifold



Dimensions: mm (inches)

Dimensional Drawings

330 Series 3 Position Valve Manifold



330 Series 4 Position Valve Manifold

