



Actuators used in many industries sometimes have to be mounted in places where it is hazardous, inconvenient or just unpleasant for a human to operate. In these cases it is useful to be able to see the status and locally operate an actuator from a safe distance.

Typically in this situation you would be faced with a simplistic interface for basic operation and indication, however Rotork's superior solution matches the comprehensive, feature rich interface provided with IQ and SI 3rd generation actuators.

Remote Hand Station (RHS) enables remote configuration, interrogation and operation of the connected actuator up to 100m from the valve installation. Configuration with a Rotork *Bluetooth*[®] Setting Tool Pro maintains the familiar user friendly experience associated with IQ and SI range actuators.

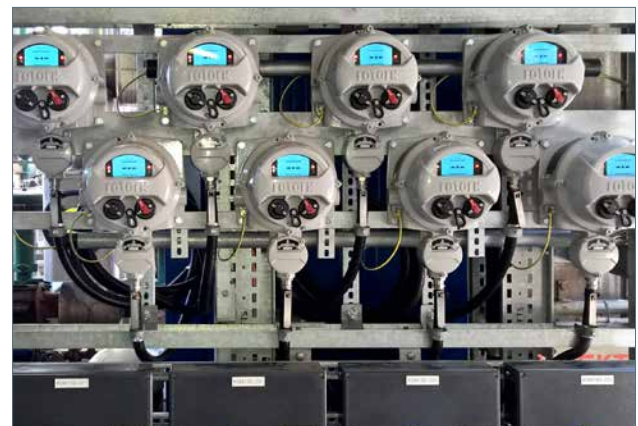
Configuration and data log information can be viewed and extracted locally from the RHS instead of gaining access to the actuator. Power for the RHS is supplied by the actuator, avoiding the need for supplementary power supplies.

Features and Benefits

- Installation using standard data cable, up to 100 metres away from the actuator
- Pole or wall mountable
- Replica of the actuator user interface, including setup and configuration
- Powered via the attached actuator (24 VDC output)
- Explosionproof option available
- Enclosure IP66 / IP68 (7 m for 72 Hours)
- Double-sealed
- Simple installation
- Asset management and data log information available to view or extract locally

Remote Hand Station

Remote field operation for IQ and SI 3rd generation actuators



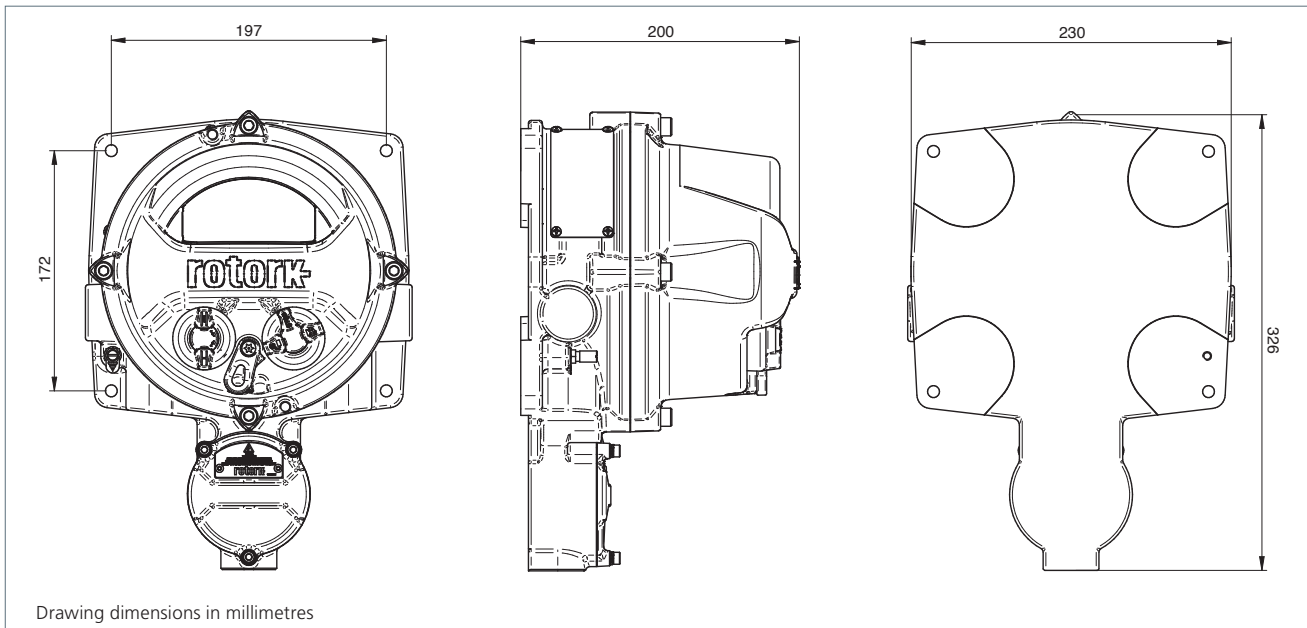
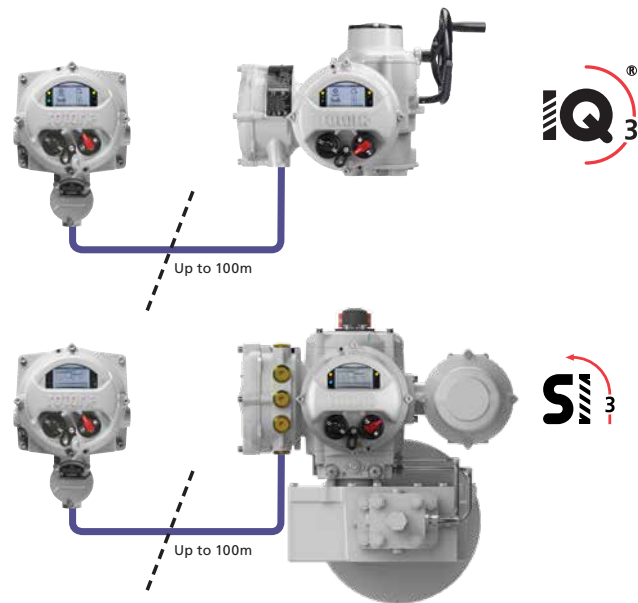
RHS operating IQ and SI actuators in inaccessible locations

Remote Hand Station

Remote field operation for IQ and SI 3rd generation actuators

Specification

Type	Standard	Optional
Enclosure Non-Hazardous	IP66 / IP68 (7 m / 72 hours), NEMA 4, 4X & 6, Double-sealed	-
Enclosure Hazardous	ATEX, CSA, CSAus and IEC	-
Temperature Range	-30 to +70 °C (-22 to +158 °F)	-50 °C (-58 °F)
Power Supply	Actuator derived 24 VDC	-
Mounting Options	Wall or pole mounted	-
Coating	Polyester powder coated	Off-shore paint, special colours
Support Tools	Rotork <i>Bluetooth</i> ® Setting Tool Pro, Insight2	-
Local Control	Non-Intrusive, Local/Stop/Remote (lockable) selector and Open/Close selectors	Vandal-proof cover



A full listing of the Rotork sales and service network is available on our website.

www.rotork.com

Corporate Headquarters
 Rotork plc
 tel +44 (0)1225 733200
 fax +44 (0)1225 333467
 email mail@rotork.com

Controls
 Electric Actuators and Control Systems

Fluid Systems
 Fluid Power Actuators and Control Systems

Gears
 Gearboxes and Gear Operators

Instruments
 Precision Control and Indication

Site Services
 Projects, Services and Retrofit