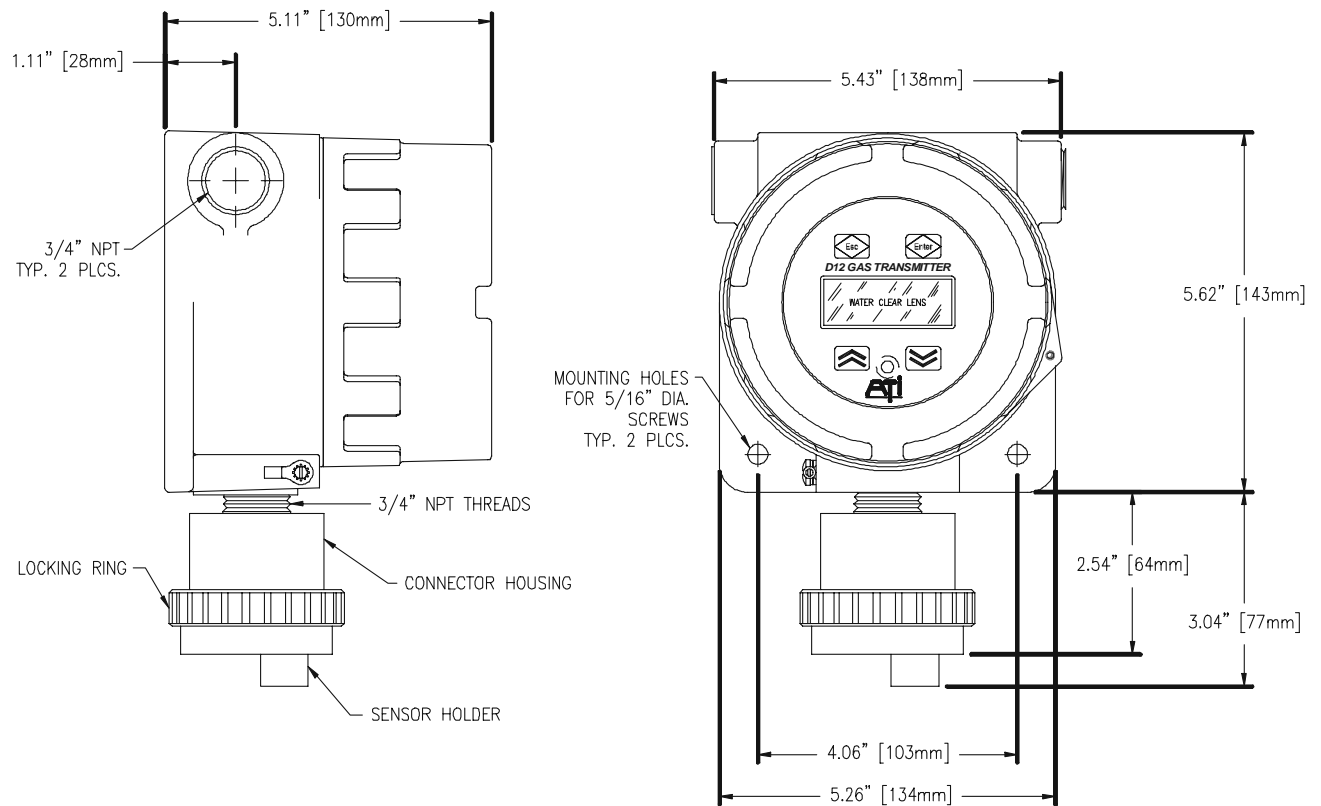


ENCLOSURE DIMENSIONS

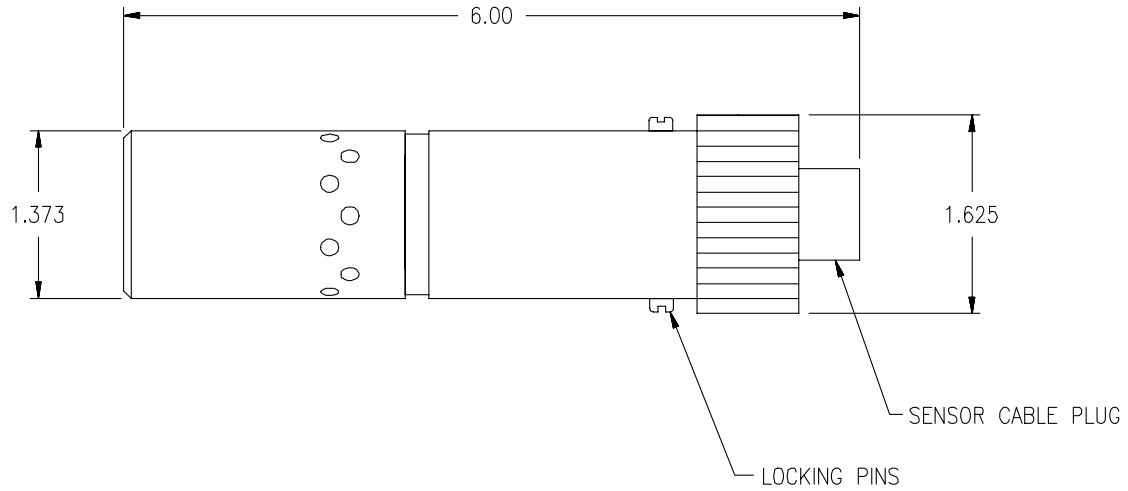


NOTES:

- 1) **Enclosure Matl:** Sand Cast copper-free aluminum
O-Brien yellow in color.
Cover: Sand Cast copper-free aluminum O-Brien yellow in color,
with 3-5/16" dia. tempered glass window.
- 2) **Certifications:**
FM standard 3615
CSA standard C22.2 No.30
UL Standard 1203
KEMA CENELAC standard EN50014, 50018
- 3) **Ratings:**
UL Class I, Groups B,C,D
Class II, Groups E,F,G
CENELAC: EExd IIC, IP66
Nema 4X, 78CD, 9EFG

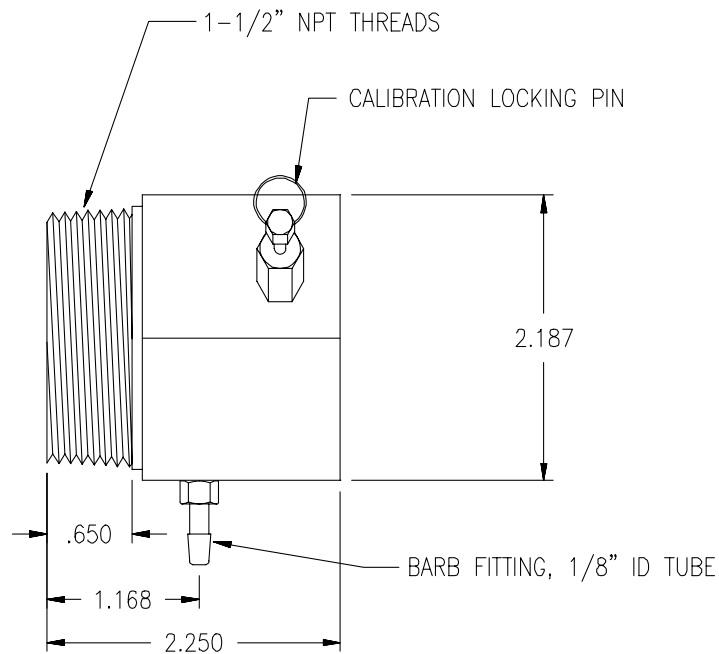
ATI-0532

INSERTION SENSOR DIMENSIONS



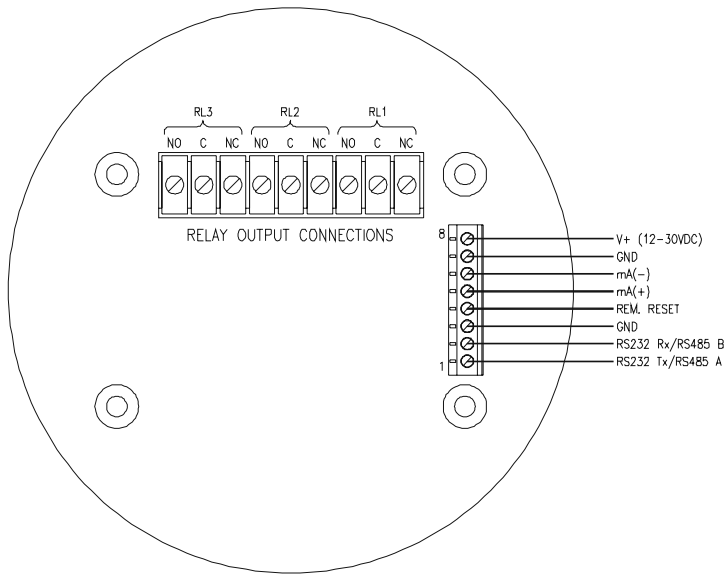
ATI-0669

PIPE ADAPTER DIMENSIONS



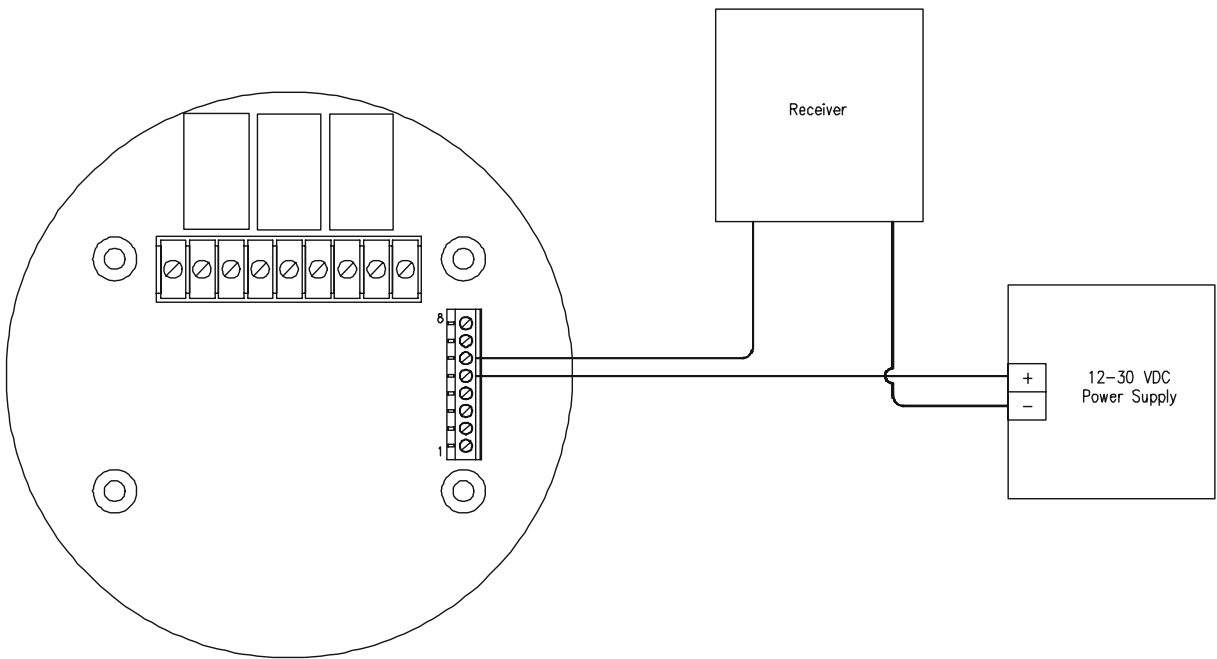
ATI-0670

POWER SUPPLY PCB GENERAL LAYOUT



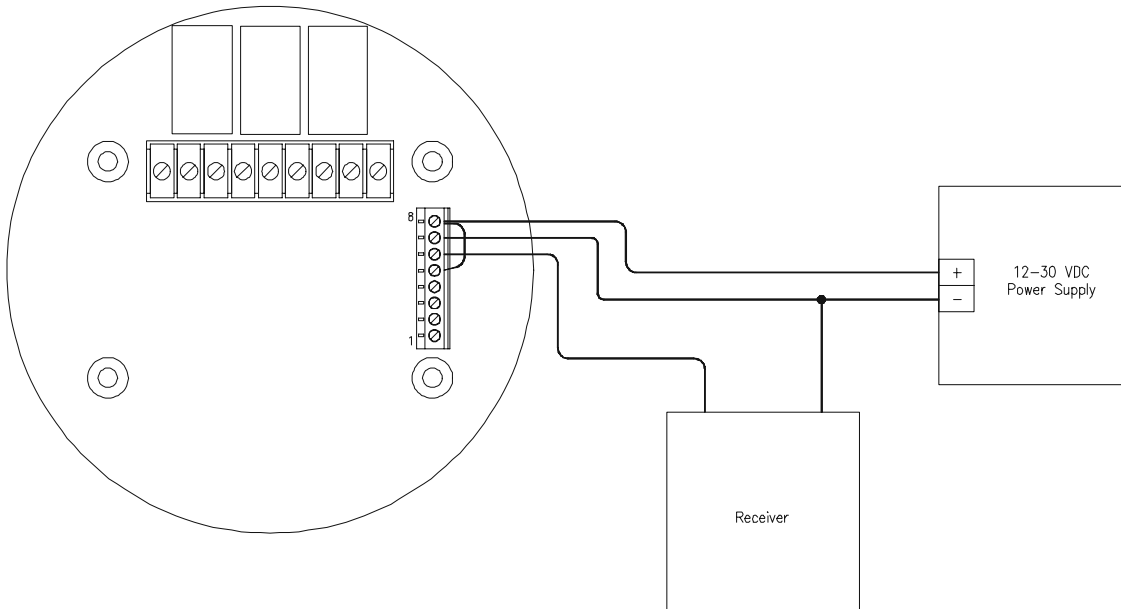
ATI-0526

2-WIRE LOOP POWER WIRING



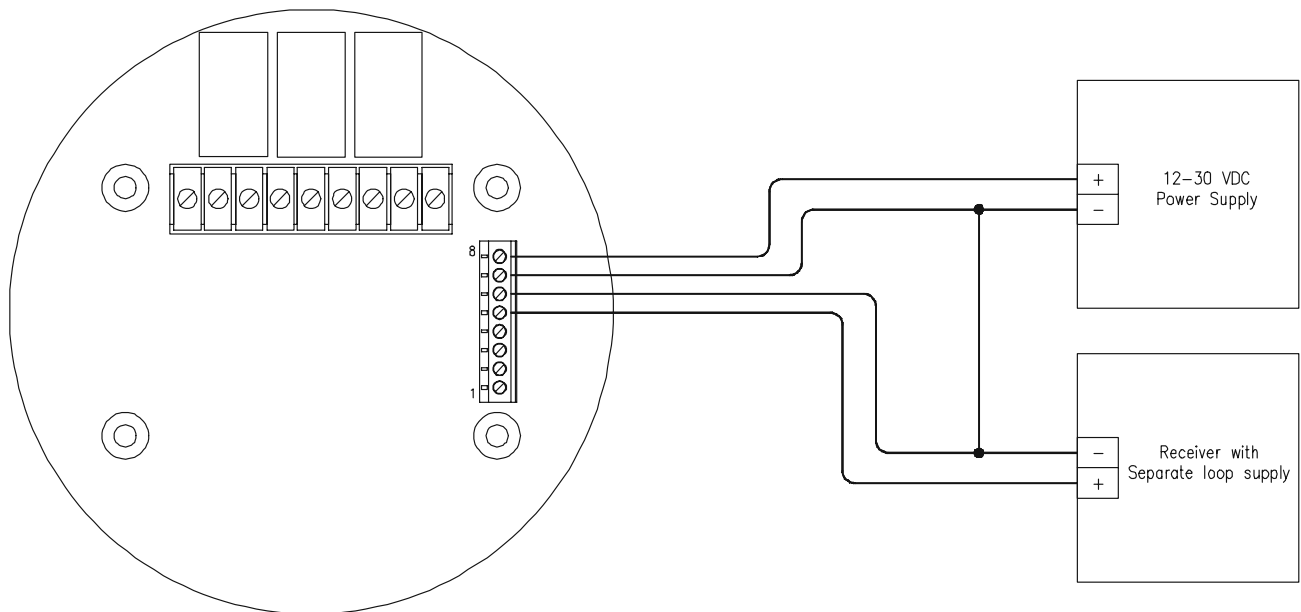
ATI-0527

3-WIRE WIRING DIAGRAM



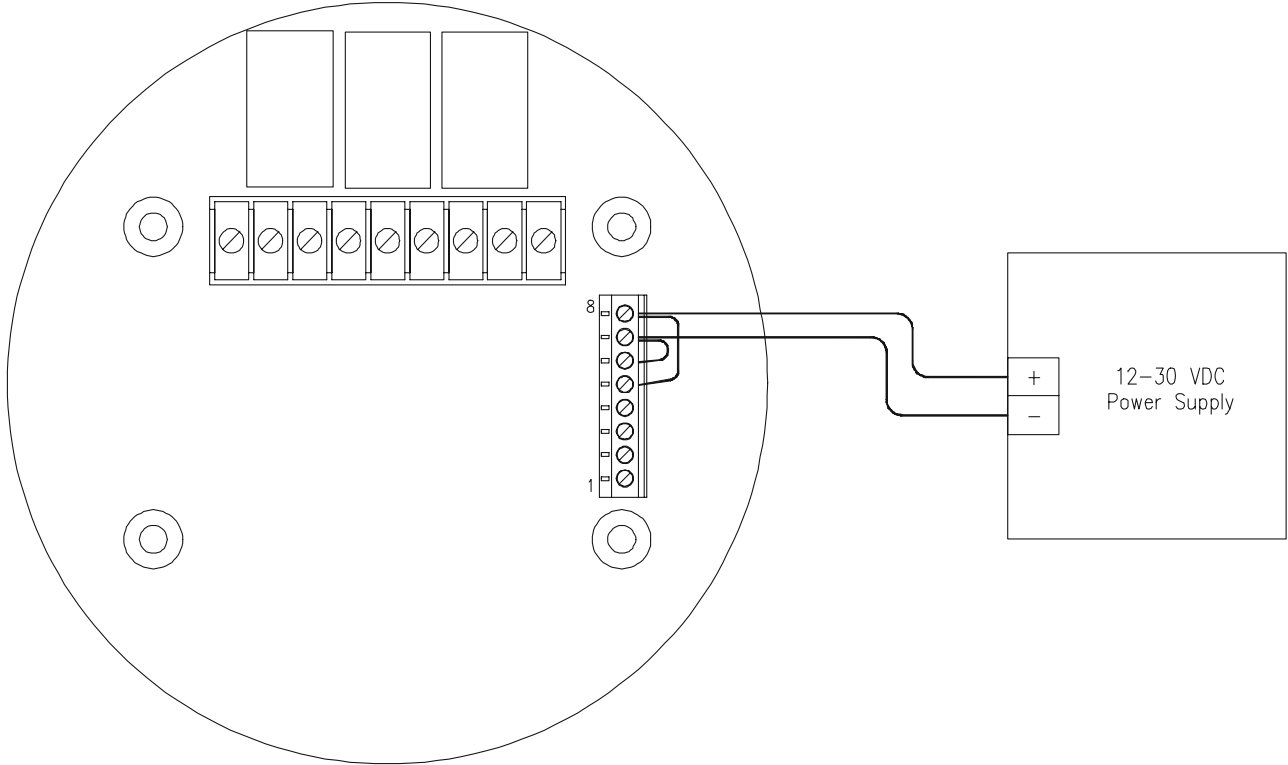
ATI-0528

SEPARATE POWER & ANALOG LOOP SUPPLIES



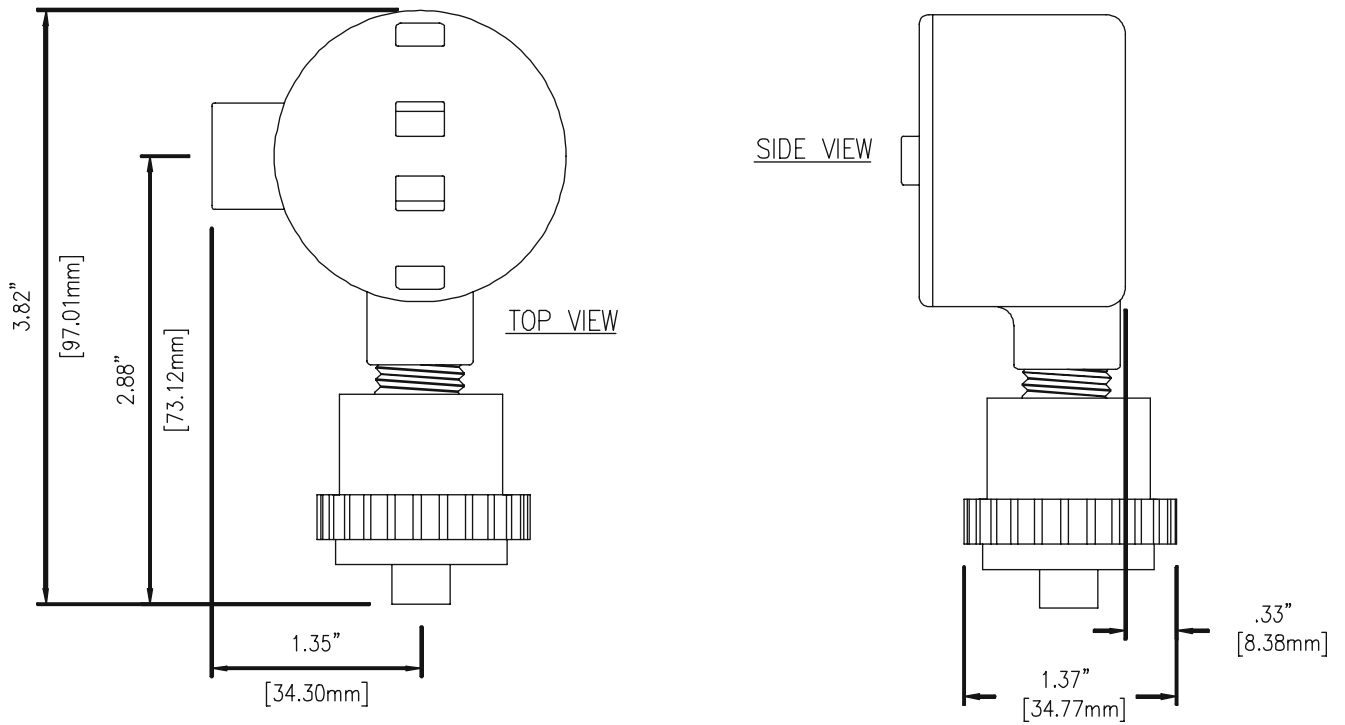
ATI-0529

POWER OPERATION w/o ANALOG OUTPUT



ATI-0530

REMOTE SENSOR DIMENSIONAL DRAWING

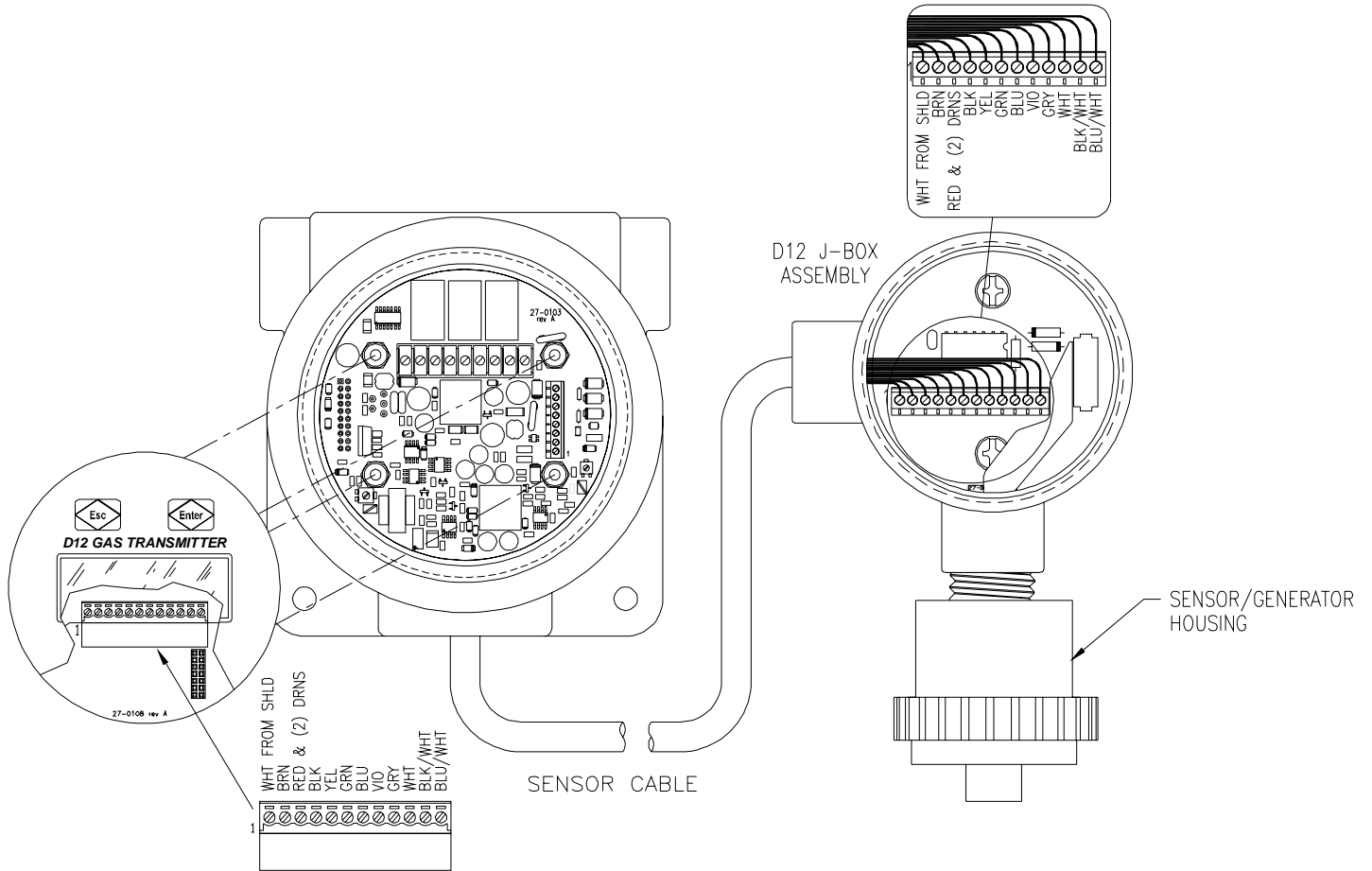


ENCLOSURE RATINGS:

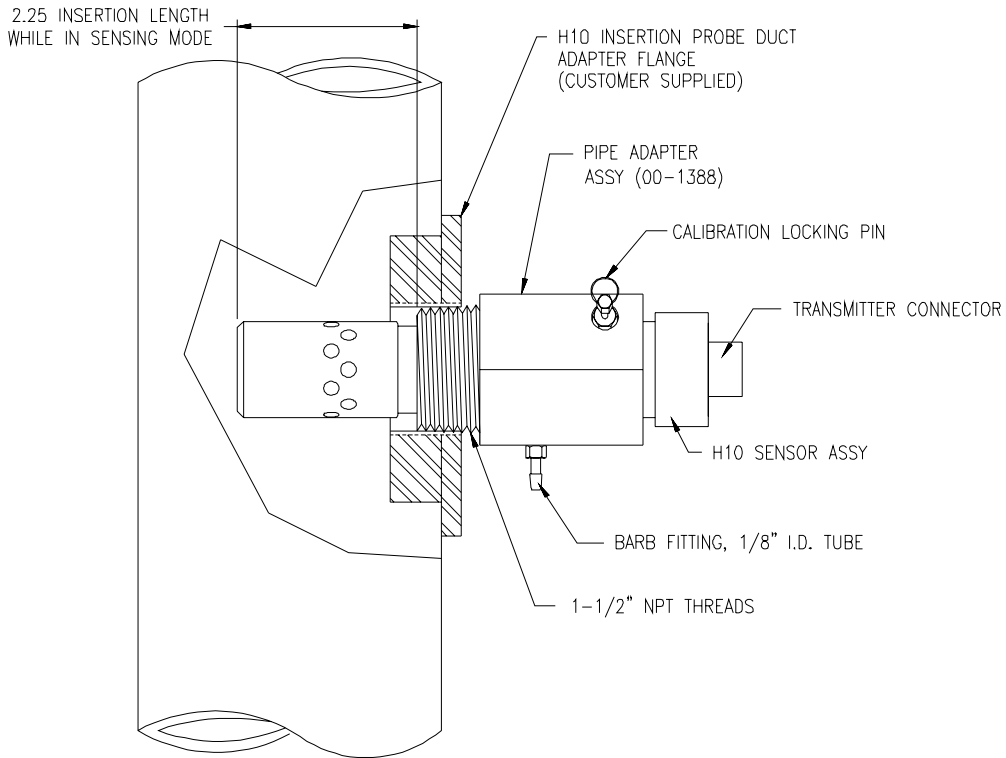
- CLASS I, GROUPS B,C,D
- CLASS II, GROUPS E,F,G
- CLASS III

Assembly is normally mounted directly to suitable explosion-proof conduit. To maintain the explosion-proof integrity of the transmitter, a suitable cable entry seal must be used in accordance with the applicable electrical code.

REMOTE SENSOR WIRING DIAGRAMS

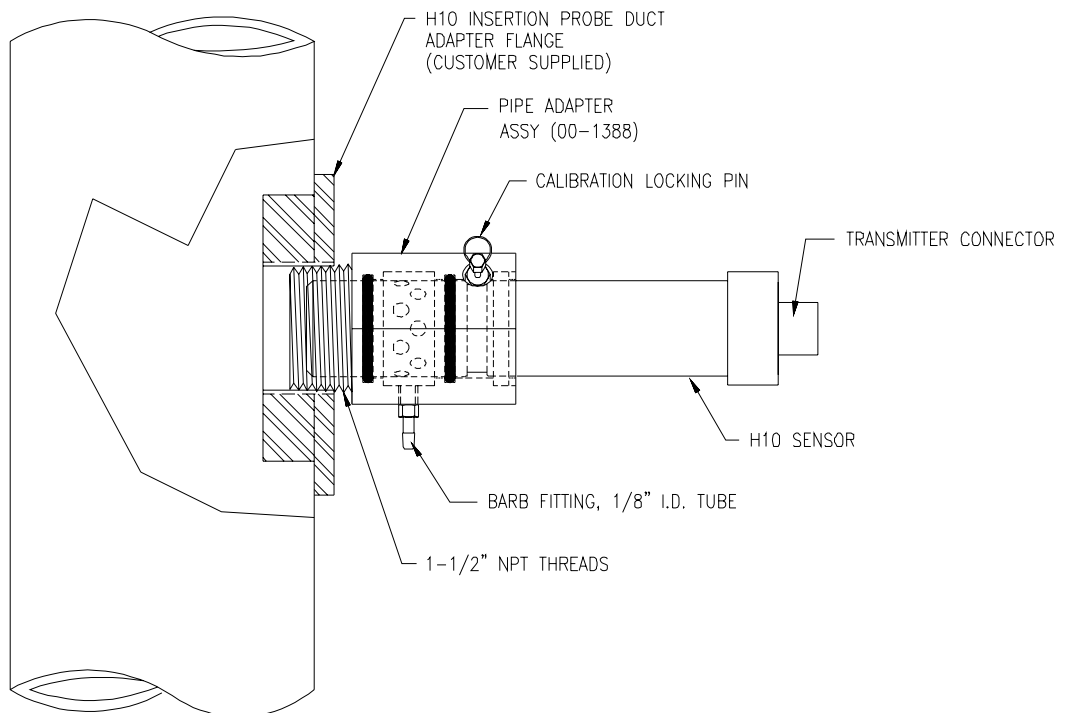


INSERTION PROBE - OPERATING MODE



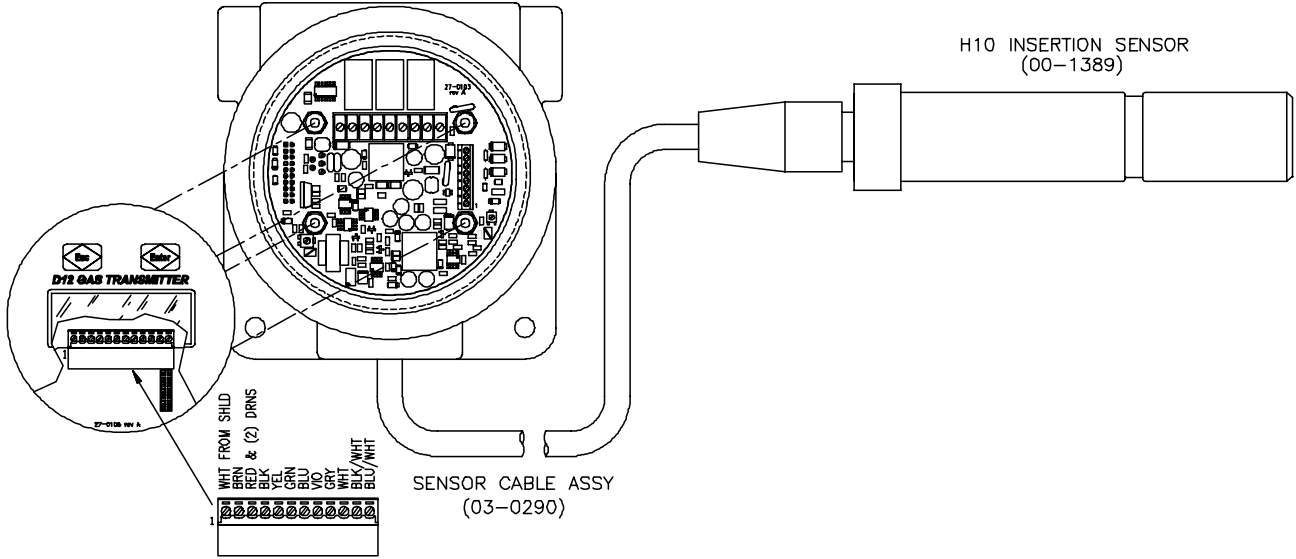
ATI-0663

INSERTION PROBE - CALIBRATING MODE



ATI-0664

INSERTION PROBE - WIRING DIAGRAM



ATI-0665