

rotork®

Gears



MOW Series

Modulating Worm Gearbox

MOW Modulating Worm Gear Series

Modulating worm gear operators are designed to suit control valves or dampers requiring constant movement.

They are suitable for continuous duty up to 1200 starts per hour and give a positional accuracy of $\pm 1/2^\circ$.

Features

- Hardened and ground worm shaft
- Aluminium bronze worm wheel
- Special grease
- Totally enclosed gearing
- Grease filled for life & fully sealed
- Adjustable mechanical stops at $90^\circ \pm 5^\circ$ travel
- Removable output sleeve
- Finished with grey primer.

Environmental Specification

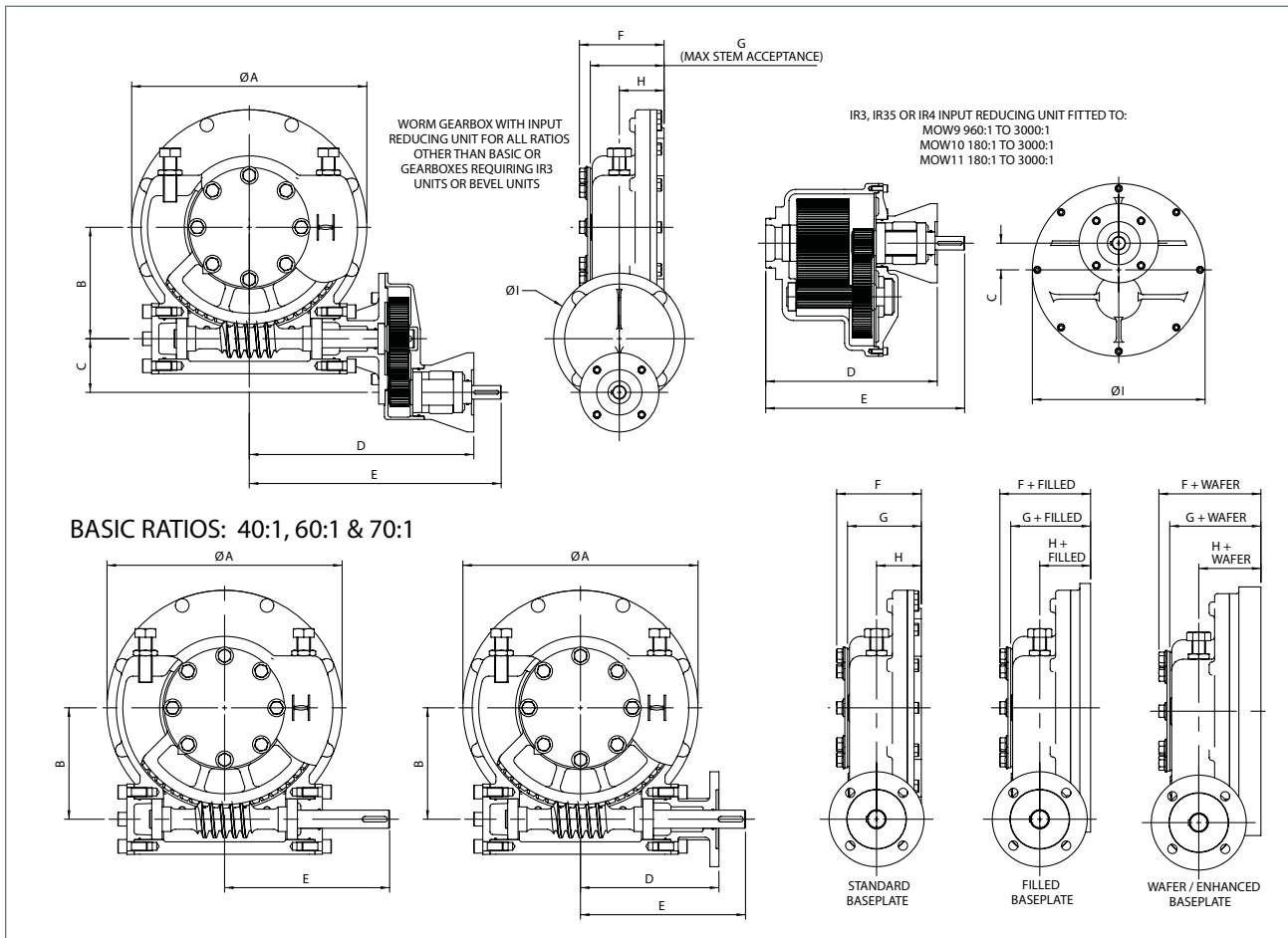
- Enclosure: IP67 standard, IP68 optional
- Temperature: -20°C to 120°C

Options

- All types of environment
- Submersible, buried service, marinised
- ATEX
- Limit switches
- Lever arms
- Flexible extensions
- Food grade grease

MOW Series Modulating Worm Gearbox

MOW Dimensions



Gearbox	Ratio	ØA	B	C	D	E	F	G	H	ØI	Weight (Kg)
MOW3	40,70	172	76		118	158	91	74	49		11
MOW4	40,70	218	102		142	182	102	85	50		22
MOW4	80,120,140,160,210, 280	218	102	64	269	320	104	85	50	190	30
MOW4	200,240,350,420	218	102	96	291	342	104	85	50	248	35
MOW5	40,70	285	136		186	236	132	114	69		45
MOW5	80,120,140,160,210, 280	285	136	64	313	364	132	114	69	190	53
MOW5	200,240,350,420	285	136	96	335	386	132	114	69	248	58
MOW6	70	375	178		186, 196 for F10,FA10	236	139	113	70		68
MOW6	140,210,280	375	178	64	313	364	139	113	70	190	79
MOW6	350,420	375	178	96	342	393	139	113	70	248	84
MOW7	60	450	210		270	329	171	140	86		120
MOW7	120,180,240,360	450	210	119	460	521	171	140	86	290	152
MOW7	480, 540,720	450	210	179	469	530	171	140	86	408	162
MOW8	60	520	246		306	365	192	160	99		180
MOW8	120,180,240,360	520	246	119	496	557	192	160	99	290	212
MOW8	480,540,720	520	246	179	505	566	192	160	99	408	222
MOW9	60	596	279		371	481	200	168	99		220
MOW9	180,240,360,480,540,720	596	279	179	568	631	200	168	99	408	262
MOW9	960,1080,1440,2160,2520, 3000	596	279	59	605	666	200	168	99	382	290
MOW10	60	735	343		397	507	216	180	110		330
MOW10	180,240,360,540,720,960,1080,1440,2160,2520,3000	735	343	59	631	692	216	180	110	382	408
MOW11	60	795	381		414	524	247	200	120		520
MOW11	180,240,360,540,720,960,1080,1440,2160,2520,3000	795	381	59	648	709	247	200	120	382	570

All dimensions in millimetres.

Material specification for MOW Modulating Worm Gearbox

Component	Material	UK Standard
Gearcase	SG Iron	BS1563 EN-GJS-450-10 or BS1563 EN-GJS-400-15
Baseplate	Cast Iron or SG Iron	BS1561 EN-GJL-250 BS1563 EN-GJS-400-15
End cap	SG Iron Steel	BS1563 EN-GJS-450-10 or BS970 grade 070M20
Input Flange	Cast Iron or SG Iron	BS1561 EN-GJL-250 BS1563 EN-GJS-400-15
Indicator Plate	Protected Steel	BS970 grade 070M20
Wormwheel	Aluminium Bronze	BS1400 grade AB2
Wormshaft	Steel	BS970 grade 045M10
Seals	Nitrile Rubber	
Fixing Screws	Protected Steel	BS3692 and BS4168
Worm Shaft Bearings	Angular Contact Ball Bearings	
Output Sleeve	Cast Iron	BS1561 EN-GJL-250
Grease	Renolit LST 0	

Mounting Options

Gearbox	Max Bore Rectangle Key BS4235	Max Square Bore AF	ISO Flange Standard Baseplate	ISO Flange Filled Baseplate	ISO Flange Enhanced Baseplate	Filled Baseplate Thickness	Enhanced Baseplate Thickness
MOW3	45	36	F10 - F12	-	F14 - F16	-	22
MOW4	64	51	F10 - F12- F14	-	F16	-	25
MOW5	76	62	F14 - F16	F25	F25	6	32
MOW6	102	83.3	F16 - F25	F16 - F25 - F30	F30	0	23
MOW7	136	108.8	F25 - F30	F30	F35	10	31
MOW8	157	122.9	F25 - F30 - F35 -F40	F25 - F30 - F35	F40 - F48	0	38
MOW9	178	132.1	F30 - F35 - F40	F30 - F35 - F40	F40 - F48	0	27
MOW10	203	152.6	F35 - F40 - F48	F48	F60	0	32
MOW11	203	152.6	F35 - F40 - F48	F60	-	0	-
MOW11BB	270	190	F40 - F48	F60	-	0	-

Note: Because of the company's policy of continuous improvement, Rotork Gears reserves the right to change specification details without prior notice.

