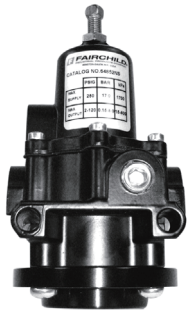


### Models

64  
65



Model 64



Model 65

### Features

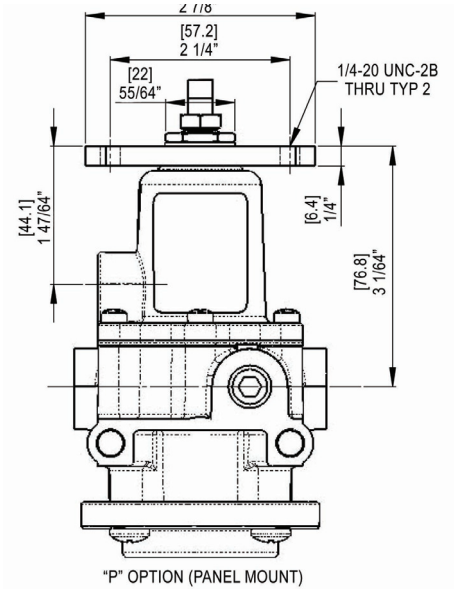
- The Models 64 and 65 Service Regulators are precision units used in instrumentation and general purpose applications.
- A Venturi compensates downstream pressure droop under flow conditions.
- A large Control Diaphragm area provides increased sensitivity.
- A full Flow Gage Port provides convenient pressure gage mounting.
- The Model 65 Standard 5-Micron Filter prevents particles from entering the output airstream.
- The Model 65 Filter Dripwell contains a Petcock Valve to easily drain trapped liquids.
- Canadian Registration Number (CRN) certification for all territories and provinces.

### Operating Principles

When you adjust the Range Screw to a specific setpoint, the Range Spring exerts a downward force against the top of the Control Diaphragm. This downward force opens the Supply Valve. Output pressure flows through the Outlet Port and the Venturi to the Control Chamber where it creates an upward force on the bottom of the Control Diaphragm.

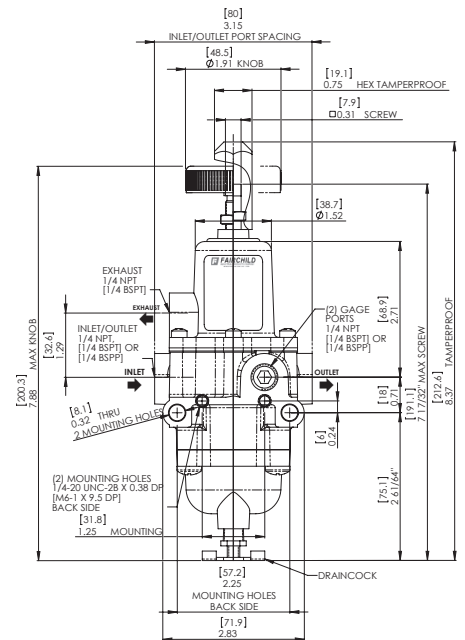
When the setpoint is reached, the force of the Range Spring that acts on the top of the Control Diaphragm balances with the force of output pressure that acts on the bottom of the Control Diaphragm and closes the Supply Valve.

When the output pressure increases above the set point, the Diaphragm Assembly moves upward to close the Supply Valve and open the Exhaust Valve. Output pressure flows through the Exhaust Valve and out of the Vent on the side of the unit until it reaches the setpoint. For more information, see cross sectional diagram.



"P" OPTION (PANEL MOUNT)

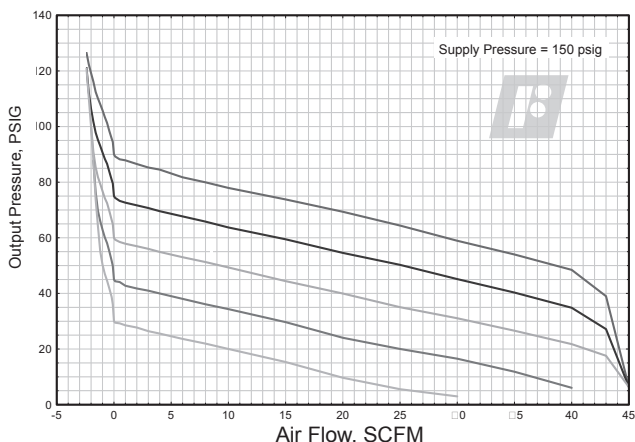
Model 64



Model 65

**Technical Information**

Flow Characteristics  
Fairchild Model 65952



**Specifications**

**Supply Pressure**

300 psig, [21.0 BAR], (2100 kPa) Maximum

**Flow Capacity (SCFM)**

25 (42.5 m<sup>3</sup>/HR) @ 100 psig, [7 BAR], (700 kPa) supply and 20 psig, [1.5 BAR], (150 kPa) setpoint

**Exhaust Capacity (SCFM)**

0.8 (1.36 m<sup>3</sup>/HR) where downstream pressure is 5 psig, [.35 BAR], (35 kPa) above 20 psig, [1.5 BAR], (150 kPa) setpoint. (0.8 scfm for 120 # unit)

**Supply Pressure Effect**

Less than 1.25 psig, [.09 BAR], (9 kPa) change for 100 psig, [7.0 BAR], (700 kPa) change in supply pressure (1.90 psig for 120 psig Range)

**Sensitivity**

1" (2.50 cm) Water Column

**Temperature Range**

-40° F to + 180° F, (-40° C to + 82° C)

-60° F to + 180° F, (-51° C to + 82° C); for L Option

**Materials of Construction**

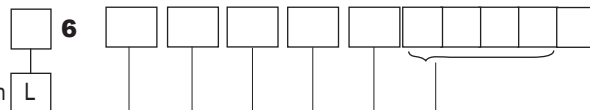
Body and Housing . . . . . Epoxy Coated Aluminum

Trim . . . . . Zinc Plated Steel, Brass

Elastomers . . . . . Nitrile on Dacron

**Catalog Information**

**Catalog Number**



Low Temp. Option

**Models**

64. . . . .

65. . . . .

**Pressure Range**

psig	[BAR]	(kPa)
0.5-30	[0.03-2]	(3-200) . . .
1-60	[0.10-4]	(10-400) . .
2-120	[0.15-8]	(15-800) . .

**Pipe Size**

1/4" NPT . . . . .

**Port Thread**

NPT . . . . .

BSPP <sup>1</sup> . . . . .

BSPT . . . . .

**Actuator**

Actuator Knob Adjust. . . . .

Screw. . . . .

Tamper Proof . . . . .

**Options**

Quick Bleed . . . . .

Tapped Exhaust and Sealed Bonnet . . . . .

2" Gauge (Gage port is NPT Only) . . . . .

Screen in Exhaust. . . . .

Stainless Steel Trim . . . . .

Panel Mount. . . . .

<sup>1</sup>BSPP Threads in Inlet & Outlet Ports Only. Others BSPT.

**Installation**

For installation instructions, refer to the *Fairchild Model 64, 65 Pneumatic Service Regulator Installation, Operation and Maintenance Instructions*, IS-10000064, IS-10000065.