



DeZURIK KGN-RSB BI-DIRECTIONAL CAST STAINLESS STEEL KNIFE GATE VALVES

Design & Construction

DeZURIK KGN-RSB Bi-Directional Cast Stainless Steel Knife Gate Valves are resilient seated valves designed for isolation, on-off applications in corrosive, abrasive liquid applications including: Pulp and Paper, Mining, Waste Water, Chemical, Petrochemical, Power and Steel.

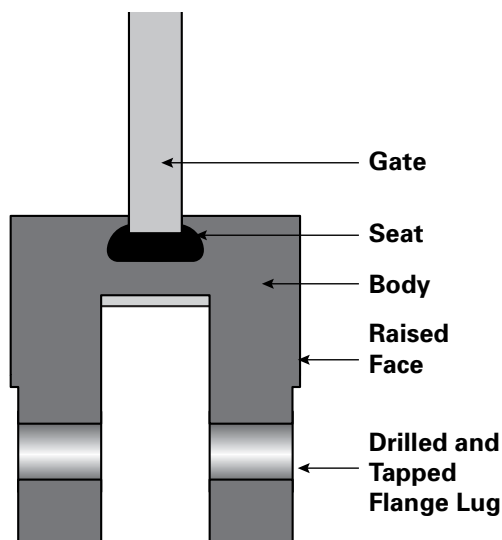
KGN-RSB Resilient Seated Bi-Directional Knife Gate Valves are available in sizes 2-24" (50-600mm).

Bi-Directional Shutoff

The Bi-Directional Knife Gate Valve provides bubble tight shutoff in both directions up to the full rating of the valve. There is no recommended flow direction and the valve does not require line pressure to seal. The interference fit between the gate and resilient seat provides bubble tight shutoff even under the lowest pressure. The valve can be used in either direction on dead end service.

Flow Capacity

Round port design per MSS-SP-81 requirements allows high flow capacity and minimum pressure drop.



Seat Locked in Valve Body for Full Pressure, Bi-Directional, Dead End Service

The flat bottom gate provides full perimeter seating. The perimeter seat is locked into the body dovetail groove. The resilient perimeter seat provides bubble tight shutoff in either direction, even on dead end service. Valves are rated to 150 psig (1035 kPa) cold working pressure (CWP).

Choice of Resilient Seat Materials

Seats are available in your choice of EPDM, NBR or FKM to provide the seat material option that performs best for your media and operating temperature.

Long Life Packing

Square Braided PTFE packing material assures a tight seal with minimum packing gland pressure.

End Connections

Raised face body has drilled and tapped flange lugs in accordance with ASME B16.5 150 Lb. drilling dimensions. International standard flange drilling is available.

One-Piece Cast Corrosion Resistant Body

The heavy-duty, cast 316 stainless steel body provides corrosion and abrasion resistance on liquid slurry applications. The all stainless body, chest, and packing chamber provide durability and integrity for all wetted parts. Bodies in 304 stainless steel are available.



Precision Ground Stainless Steel Gate

The 316 stainless steel gate is precision ground on all sides with beveled edges to maximize packing life. Gates in 304 stainless steel are available.

Corrosion Resistant Packing Gland

The packing gland is stainless steel for corrosion resistance. Packing gland bolts are easily accessible for adjustments.

Stainless Steel Stem & Superstructure

All valves are furnished with a stainless steel stem and superstructure that assures easy operation and dependable service.

Actuators & Accessories

Actuator options include handwheels and cylinders. A full complement of accessories are also offered.

Sales and Service

For information about our worldwide locations, approvals, certifications and local representative:

Web Site: www.dezurik.com E-Mail: info@dezurik.com



250 Riverside Ave. N. Sartell, Minnesota 56377 • Phone: 320-259-2000 • Fax: 320-259-2227

DeZURIK, Inc. reserves the right to incorporate our latest design and material changes without notice or obligation. Design features, materials of construction and dimensional data, as described in this bulletin, are provided for your information only and should not be relied upon unless confirmed in writing by DeZURIK, Inc. Certified drawings are available upon request.