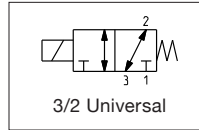
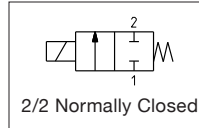


- ASCO's patented 458 Series rocker isolation valves are designed for use with neutral or highly aggressive liquids in analytical instrumentation
- Special rocker mechanism prevents heat transfer to the fluid, eliminates the sticking effect of the valve seat, and significantly reduces erratic flow of the liquid
- Hermetic separation of control mechanism prevents particulate contamination caused by friction of moving parts, assuring maximum purity of liquid samples
- Excellent self-draining capability and easy-to-flush low-volume internal cavity make these valves ideal in application where cross-contamination must be minimized
- Available with barbed ports for 1.6mm to 2mm soft tubing, or threaded flat-bottom ports with 1/4-28 UNF or 10-32 UNF
- Meets all relevant CE directives, and is RoHS compliant
- Typical applications include:
  - In-vitro Diagnostics
  - Hematology
  - DNA Sequencing
  - Surgical Fluid Management

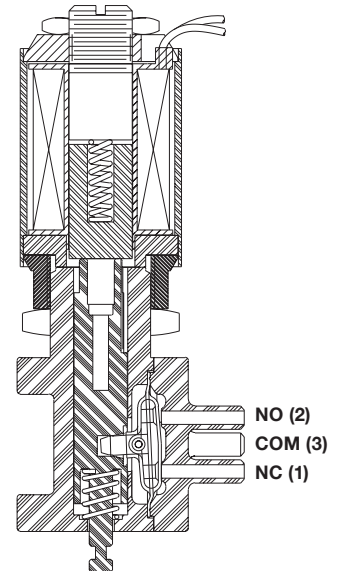


Fluids*	Temperature Range	Seal Materials*
Aggressive liquids	0 °C to 45 °C (32 °F to 114 °F)	EPDM

\* Ensure that the compatibility of the fluids in contact with the materials is verified

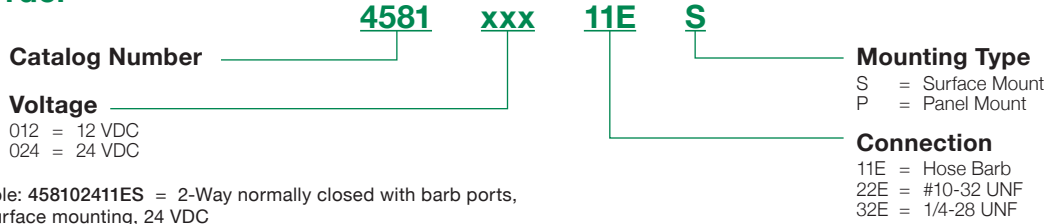
General Valve Information	
Flange	PSU, PEEK
Diaphragm	EDPM
Response Time	< 20ms
Internal Volume	2-way 51µl 3-way 62µl

Electrical Characteristics	
Coil Insulation	130 °C (266 °F)
Connector	26 AWG Lead Wire
Standard Voltages	12 VDC, 24 VDC
Power Consumption	2.5 Watts



Specifications									
Connection	Orifice Size mm (inches)	Flow Coefficient		Flange Material	Mount Type	Pressure Differential bar (psi)		Catalog Number	Power
		Kv (m3/h)	Cv			min.	max.		W
<b>2/2 NC - Normally Closed</b>									
Hose Barb	1.6 (0.062)	0.035	0.040	PSU	Surface	0	2.4 (35)	4581xxx11ES	2.5
Hose Barb	1.6 (0.062)	0.035	0.040	PSU	Panel	0	2.4 (35)	4581xxx11EP	2.5
10-32 UNF	1.6 (0.062)	0.035	0.040	PEEK	Surface	0	2.4 (35)	4581xxx22ES	2.5
10-32 UNF	1.6 (0.062)	0.035	0.040	PEEK	Panel	0	2.4 (35)	4581xxx22EP	2.5
1/4-28 UNF	1.6 (0.062)	0.035	0.040	PEEK	Surface	0	2.4 (35)	4581xxx32ES	2.5
1/4-28 UNF	1.6 (0.062)	0.035	0.040	PEEK	Panel	0	2.4 (35)	4581xxx32EP	2.5
<b>3/2 U - Universal</b>									
Hose Barb	1.6 (0.062)	0.035	0.040	PSU	Surface	0	2.4 (35)	4583xxx11ES	2.5
Hose Barb	1.6 (0.062)	0.035	0.040	PSU	Panel	0	2.4 (35)	4583xxx11EP	2.5
10-32 UNF	1.6 (0.062)	0.035	0.040	PEEK	Surface	0	2.4 (35)	4583xxx22ES	2.5
10-32 UNF	1.6 (0.062)	0.035	0.040	PEEK	Panel	0	2.4 (35)	4583xxx22EP	2.5
1/4-28 UNF	1.6 (0.062)	0.035	0.040	PEEK	Surface	0	2.4 (35)	4583xxx32ES	2.5
1/4-28 UNF	1.6 (0.062)	0.035	0.040	PEEK	Panel	0	2.4 (35)	4583xxx32EP	2.5

### How to Order

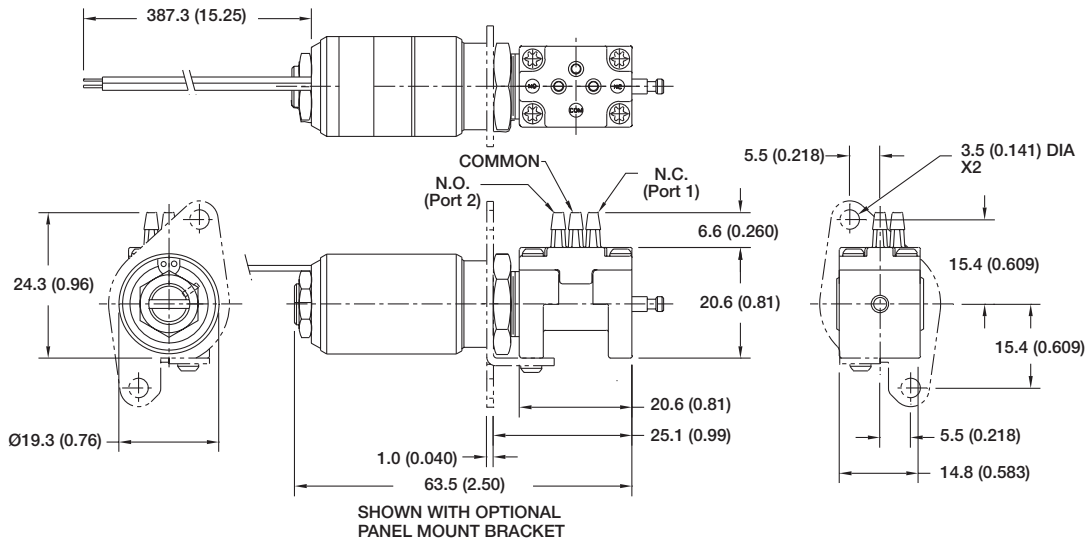


Ordering Example: 458102411ES = 2-Way normally closed with barb ports, PSU flange, surface mounting, 24 VDC

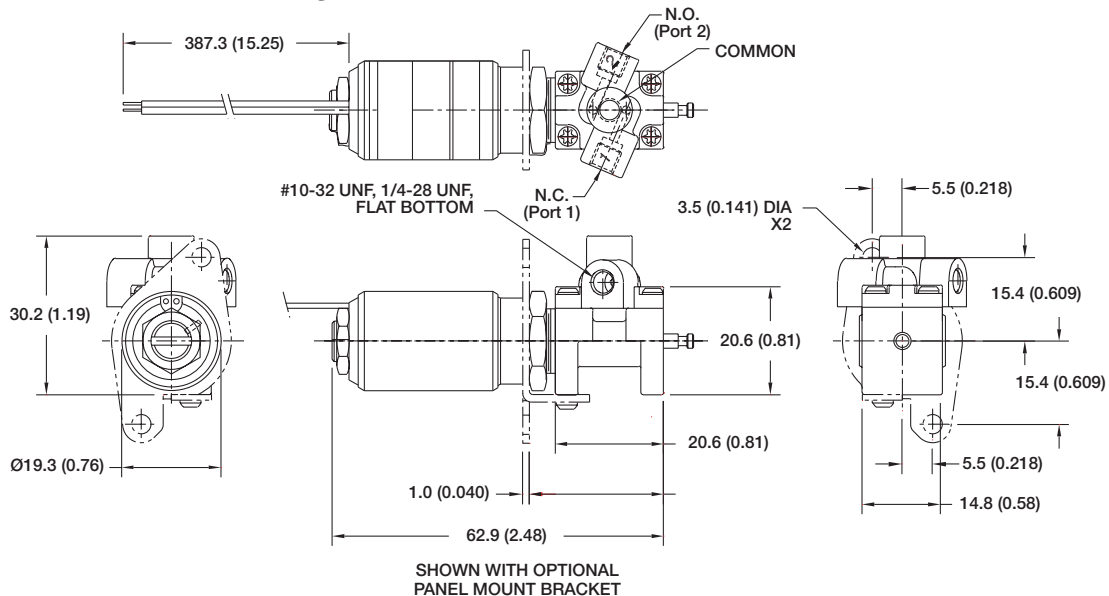
### Dimensions: mm (inches)

### Dimensional Drawings

#### 458 Series with Hose Barb Flange



#### 458 Series with In-line Flange



NOTE: 3-Way versions shown, 2-Way versions are the same except they do not include the common port. Bracket for optional panel mount shown in dashed lines.