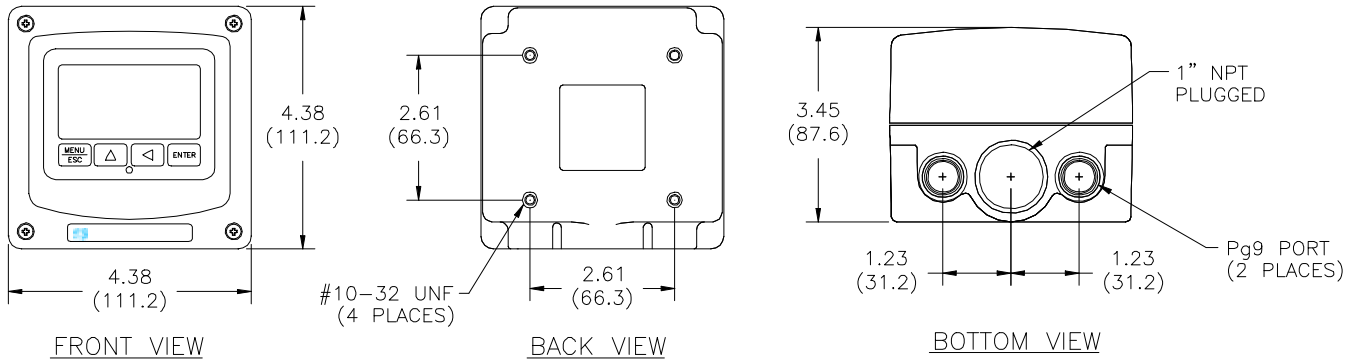


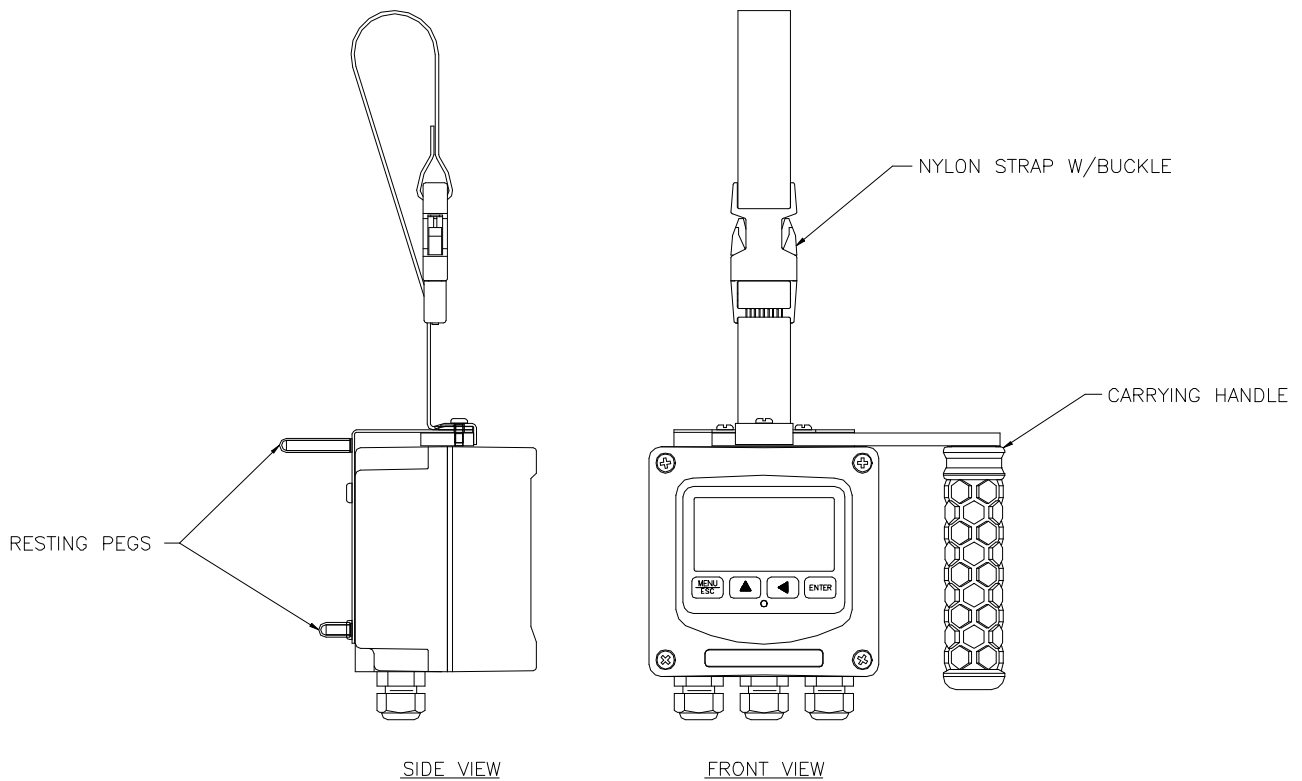
**2-WIRE VERSION or REMOTE DC MODELS**



**NOTE: JUNCTION BOXES HAVE SAME DIMENSIONS AS 2-WIRE TRANSMITTER**

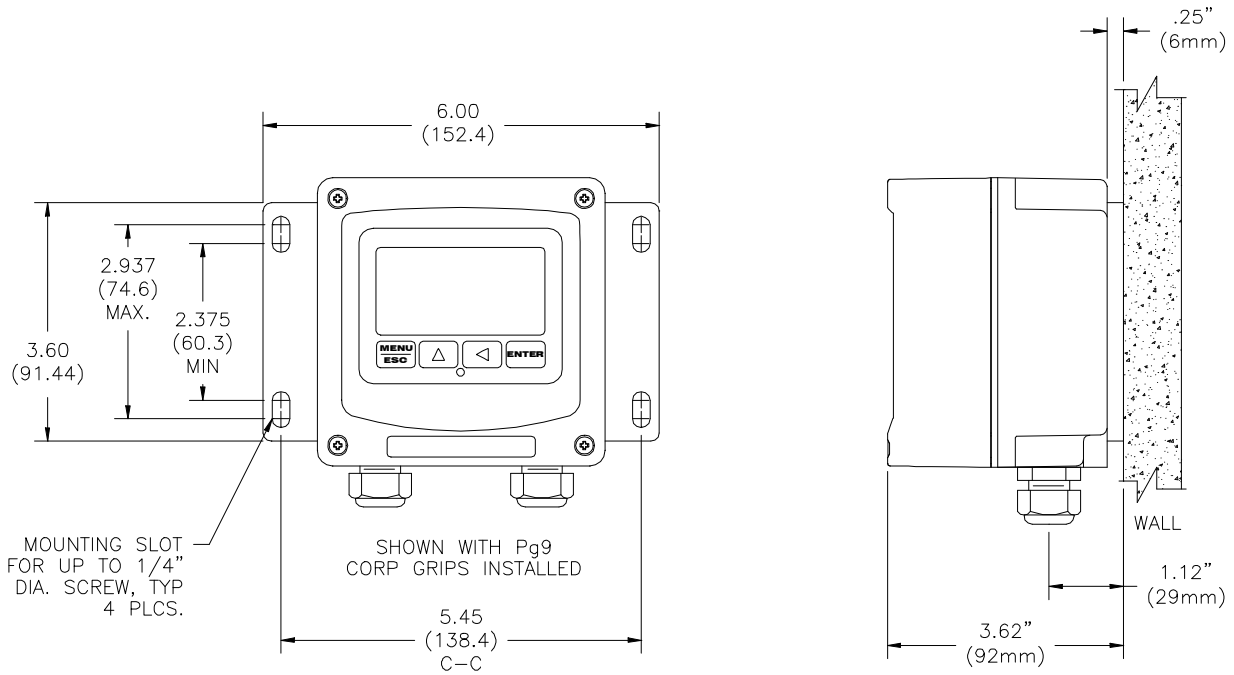
ATI-0655

**INTERNAL BATTERY MODEL**



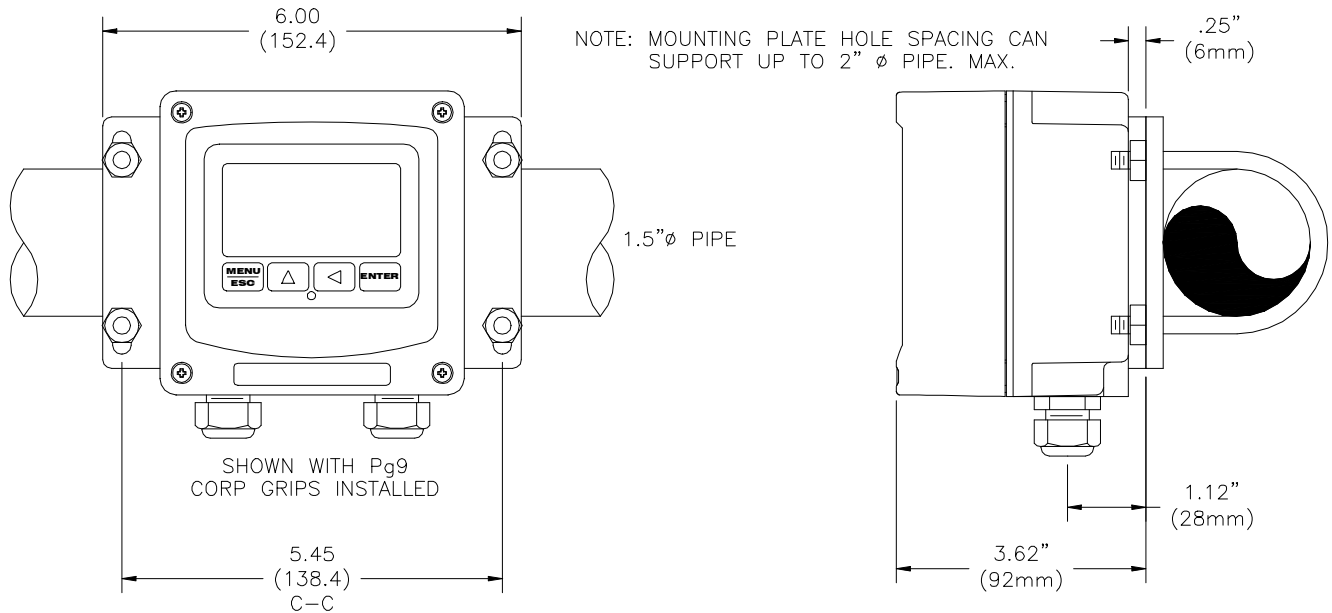
ATI-0688

**WALL MOUNTING**



ATI-1033

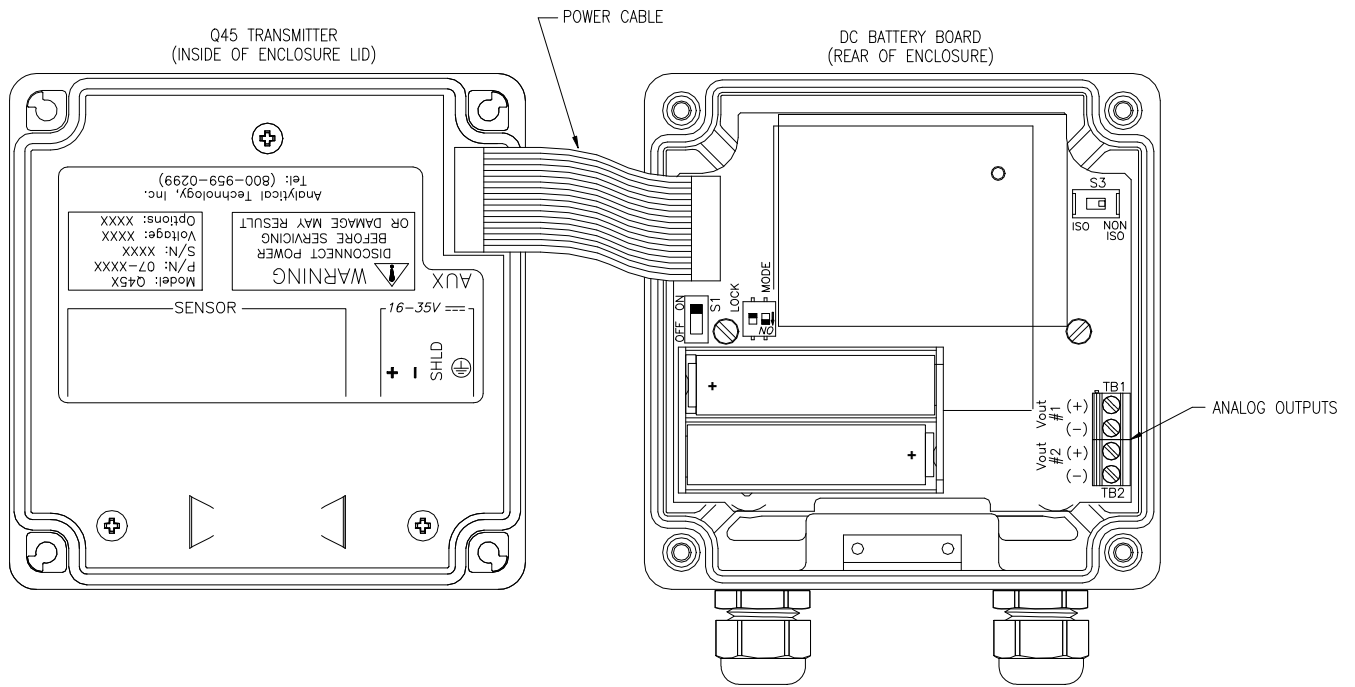
**PIPE MOUNTING**



NOTE: PLATE MAY BE TURNED 90° FOR VERTICAL PIPE MOUNTING

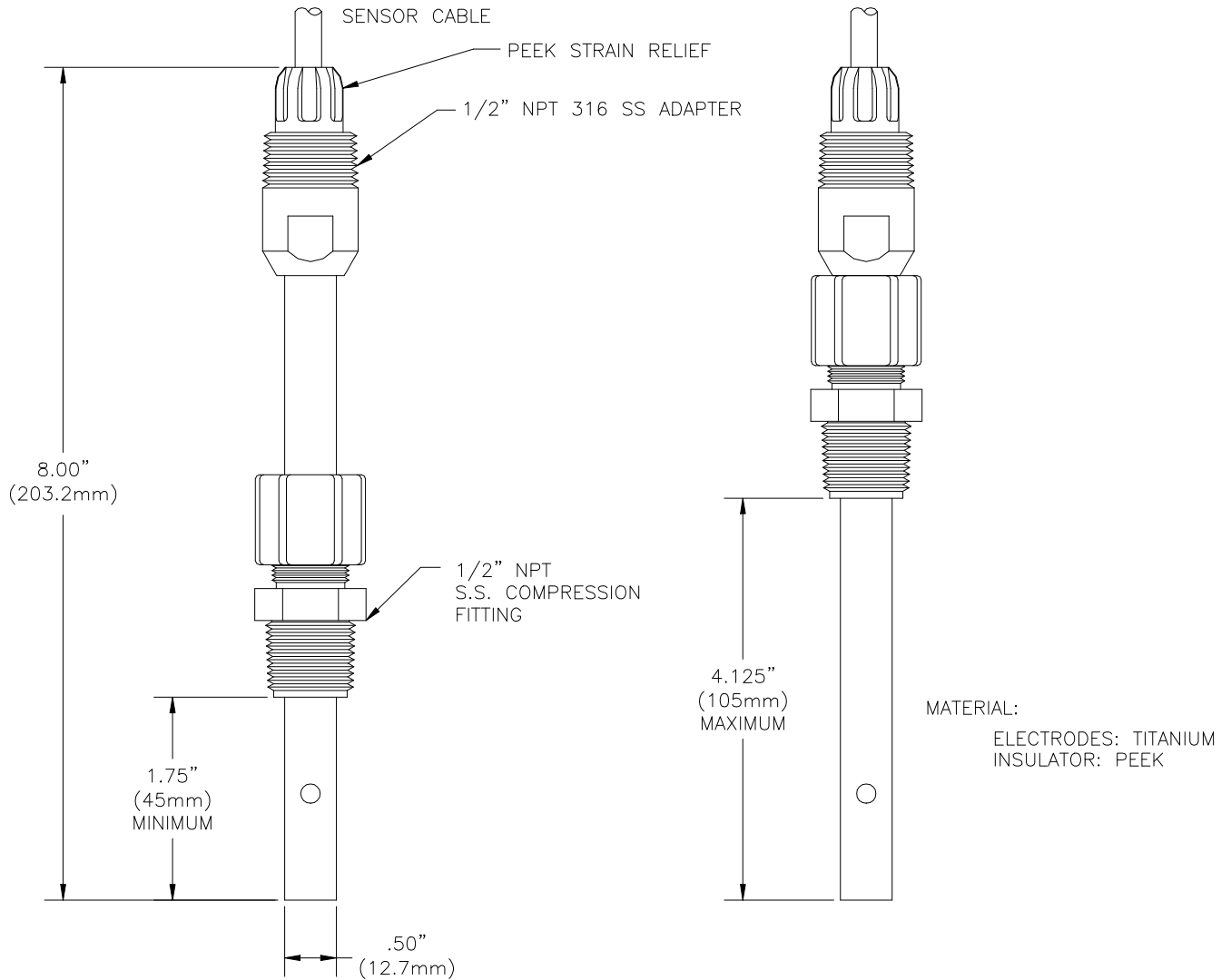
ATI-0710

**INTERNAL BATTERY CONFIGURATION**



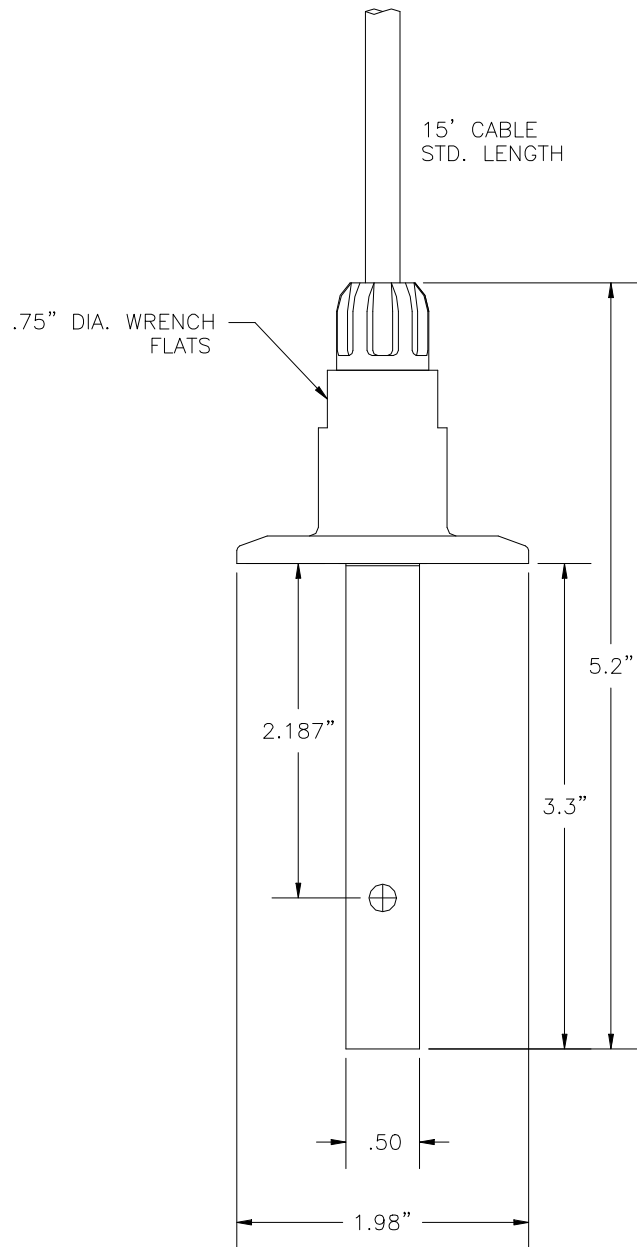
ATI-0827b

**Q25C2 2-ELECTRODE CONDUCTIVITY SENSOR DIMENSIONS**



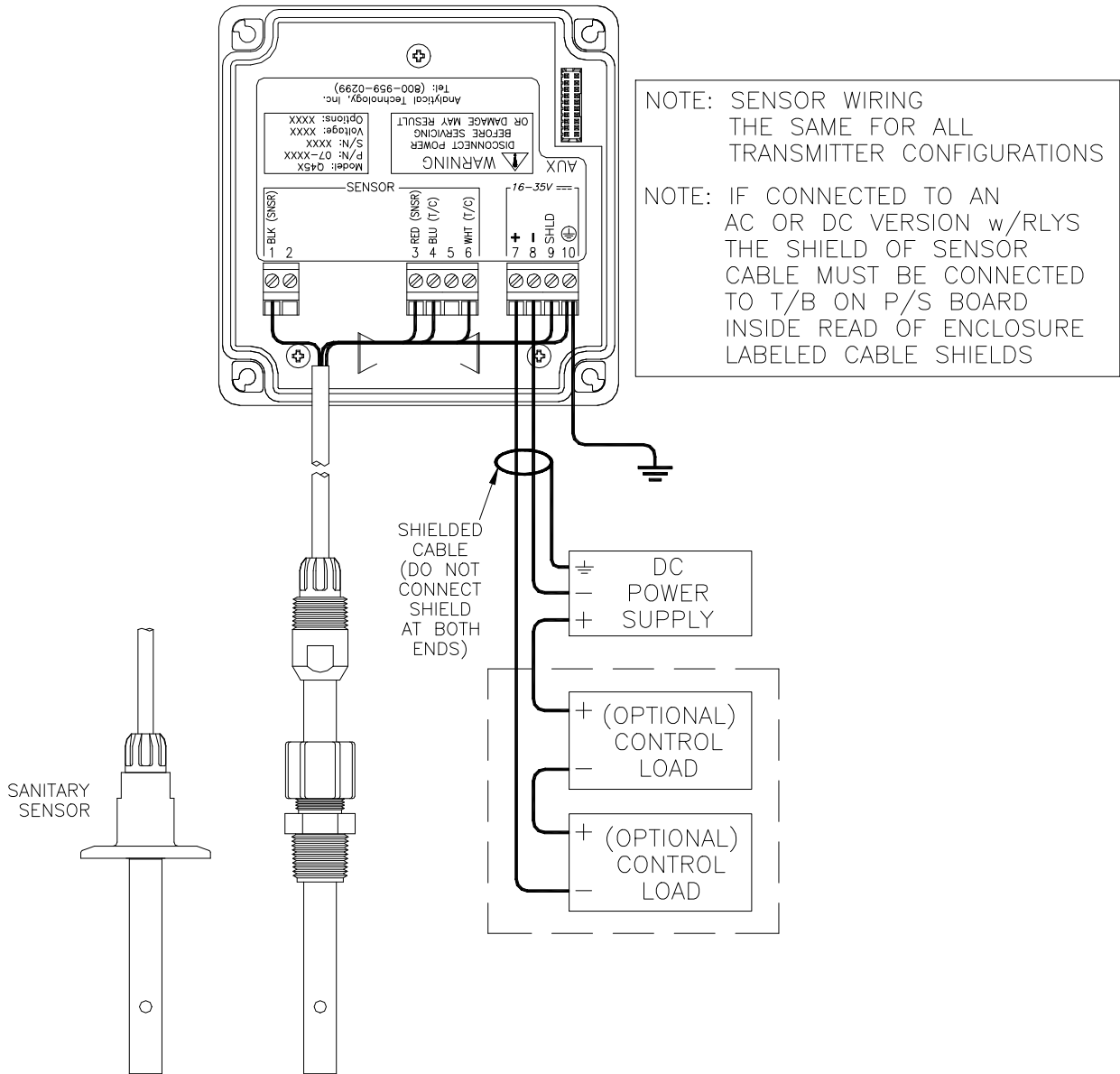
ATI-0741

**SANITARY SENSOR DIMENSIONS**



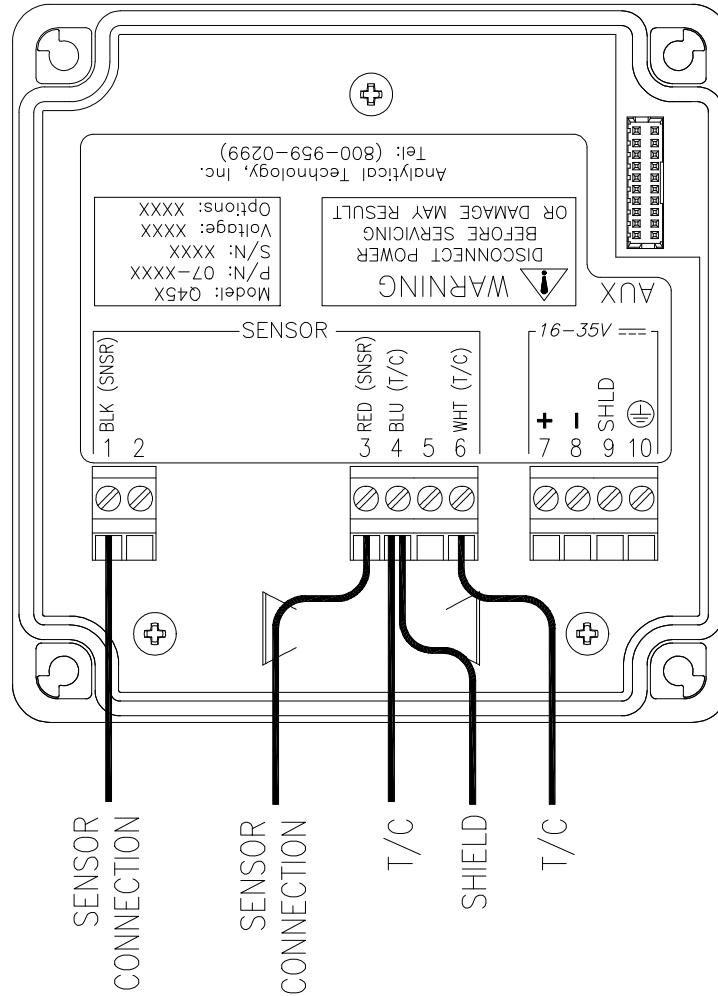
ATI-0919

**SENSOR CONNECTIONS - 2-WIRE**



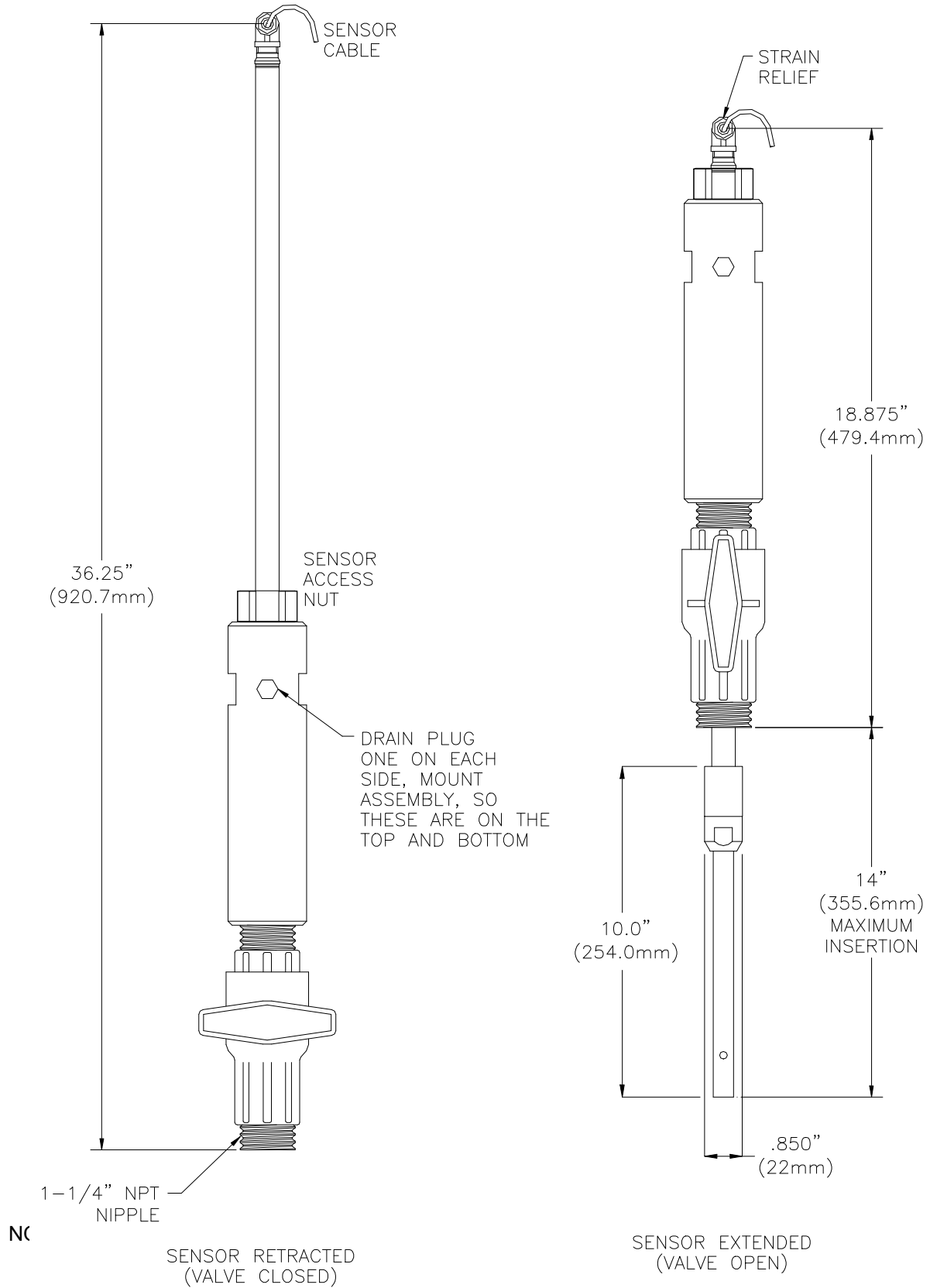
- NOTES: 1. Voltage between Terminals 7 and 8 MUST be between 16 and 35 VDC.  
 2. Earth ground into Terminal 10 is HIGHLY recommended. This connection can greatly improve stability in electrically noisy environments.

**SENSOR CONNECTIONS - OEM SENSORS**



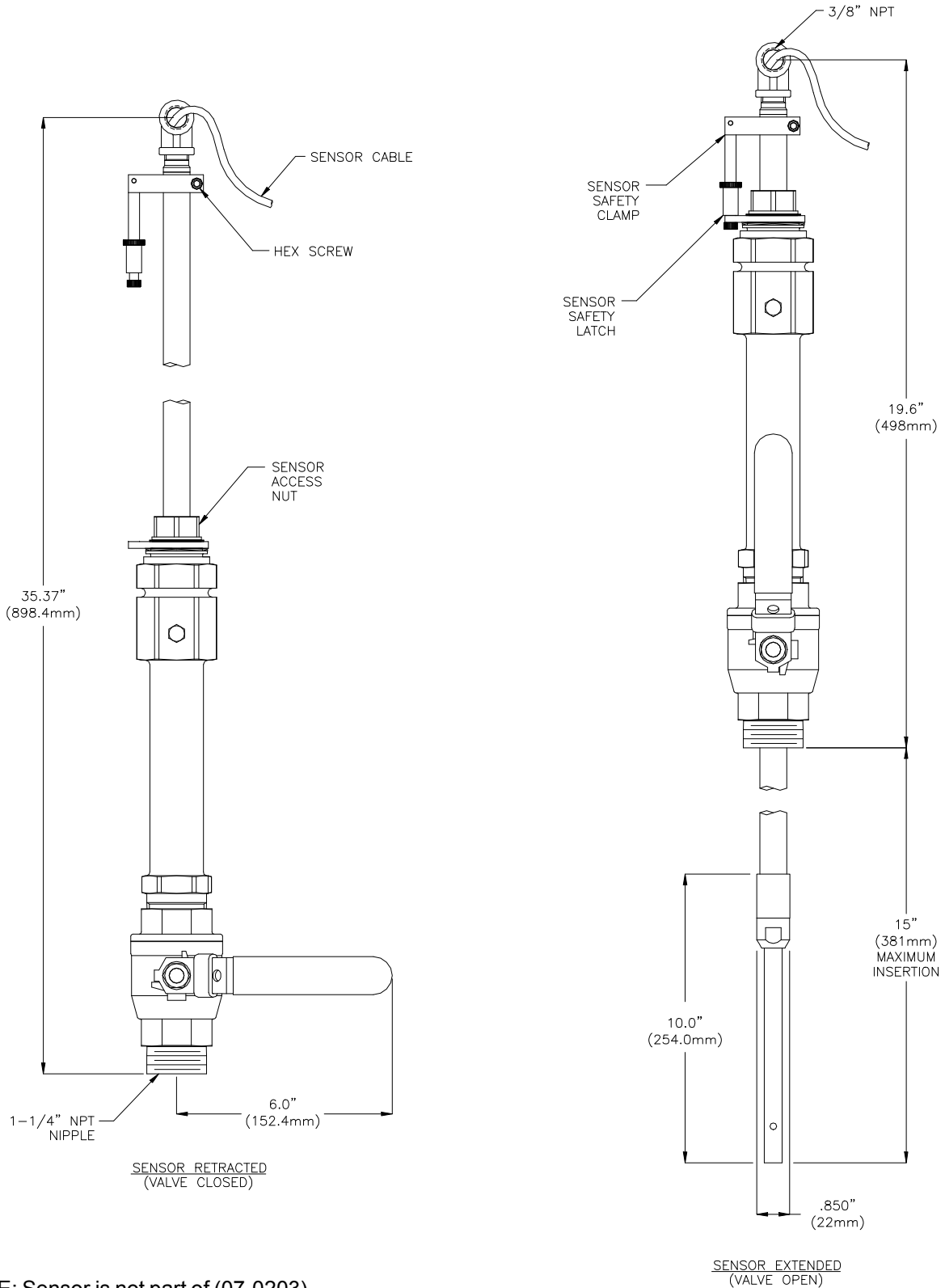
ATI-0746

**INSERTION ASSEMBLY DETAIL (07-0223) - (CPVC VERSION)**





**INSERTION ASSEMBLY DETAIL (07-0203) - (SS VERSION)**



NOTE: Sensor is not part of (07-0203) insertion assembly