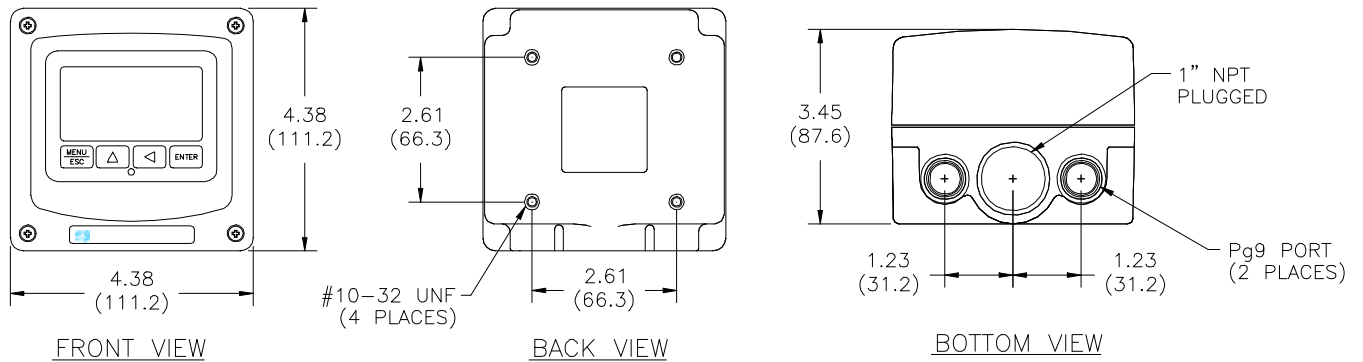


2-WIRE VERSION or REMOTE DC MODELS



NOTE: JUNCTION BOXES HAVE SAME DIMENSIONS AS 2-WIRE TRANSMITTER

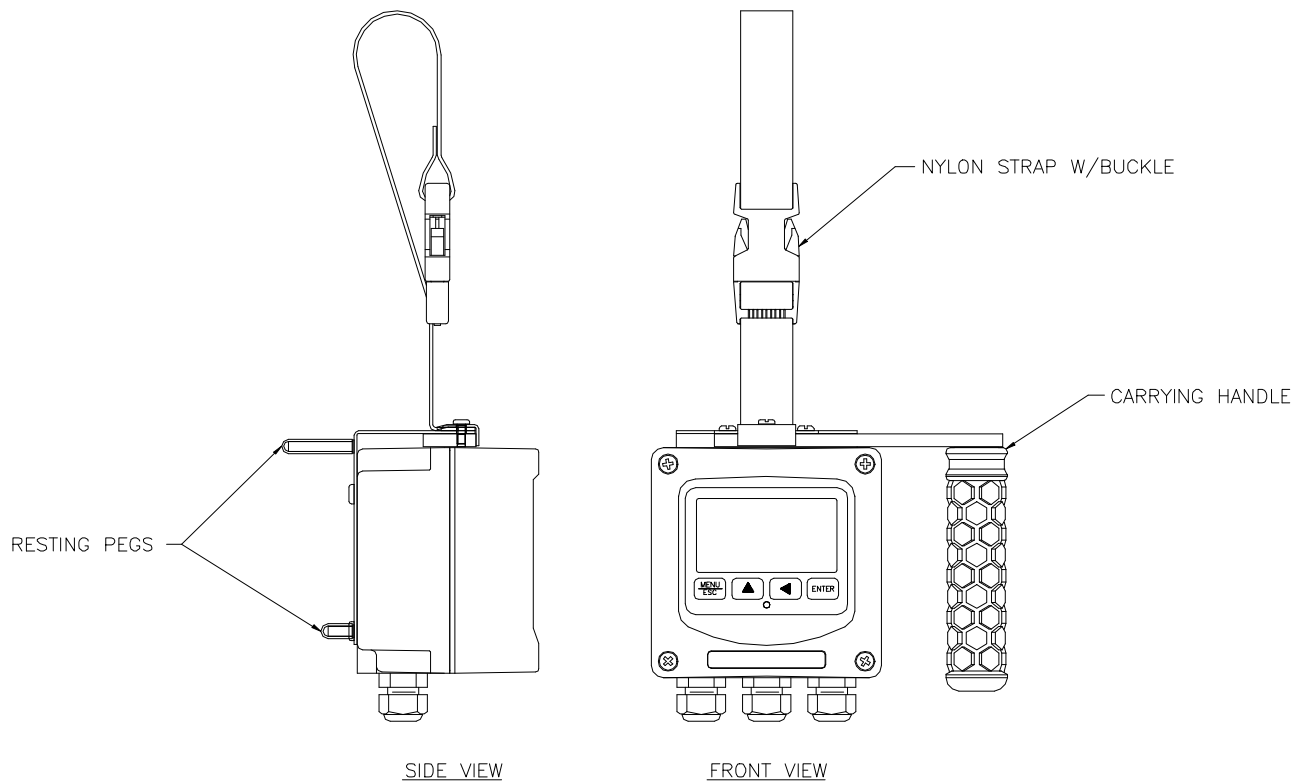
ATI-0655

Material: Polycarbonate

Ratings: Nema 4X (IP-66)

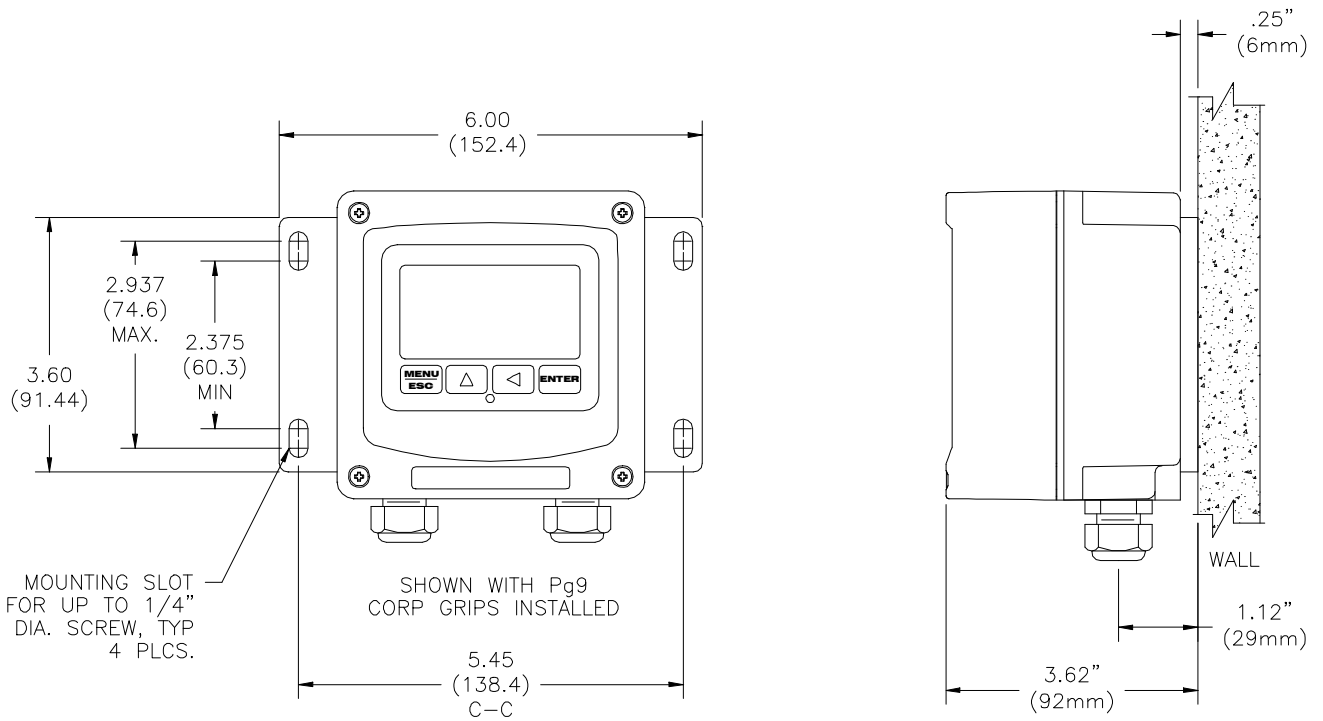
V-0 Fire Retardant

INTERNAL BATTERY MODEL

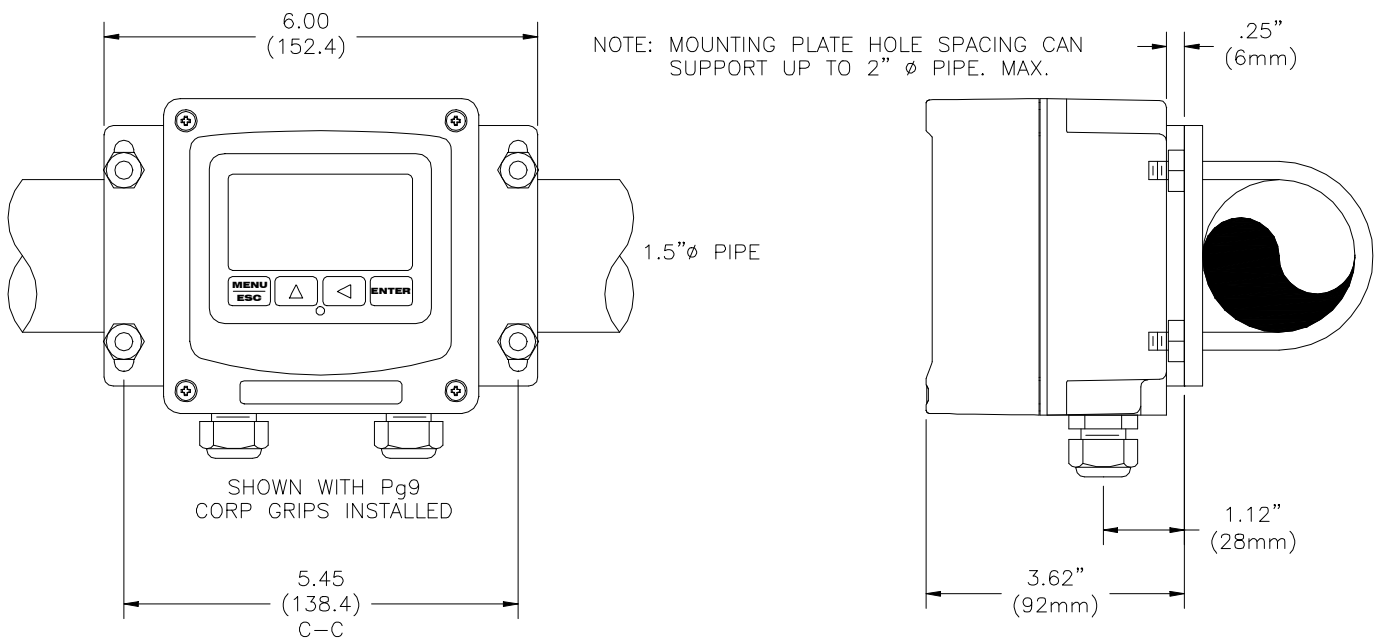


ATI-0688

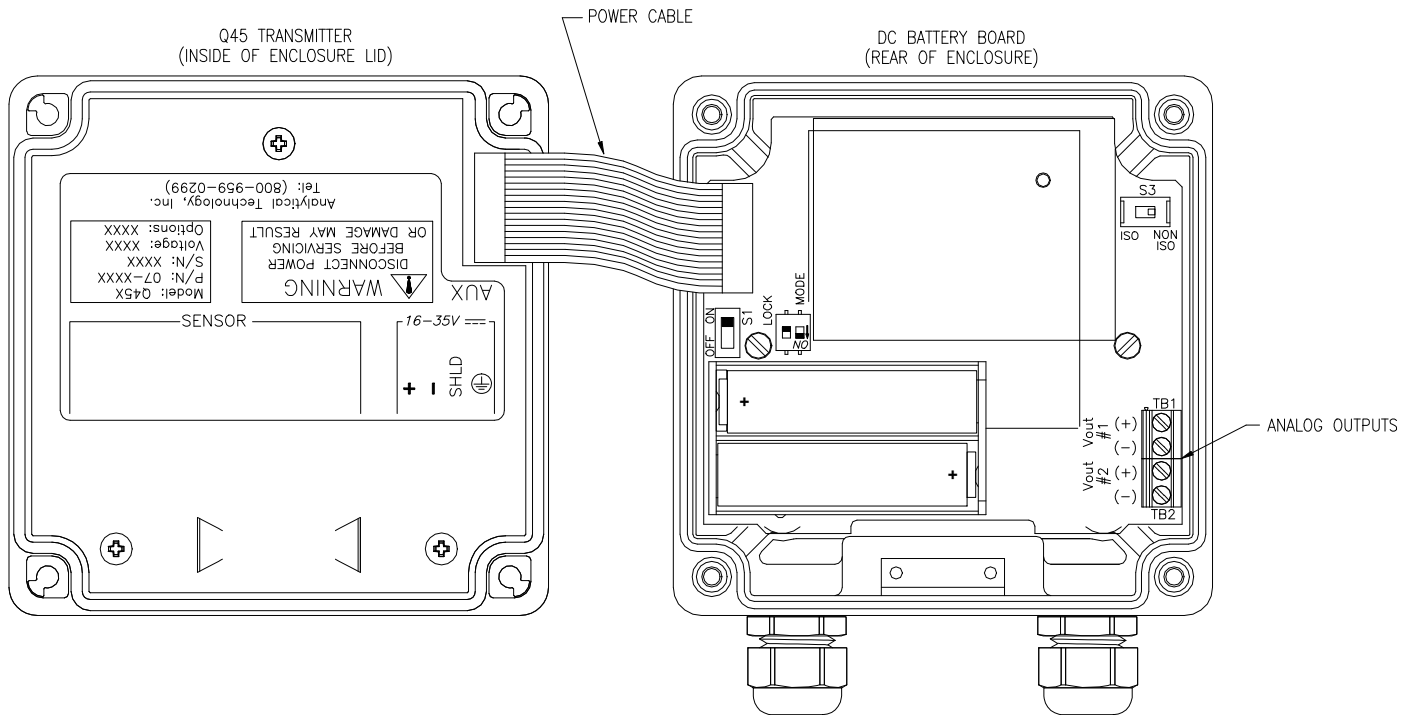
WALL MOUNTING



PIPE MOUNTING

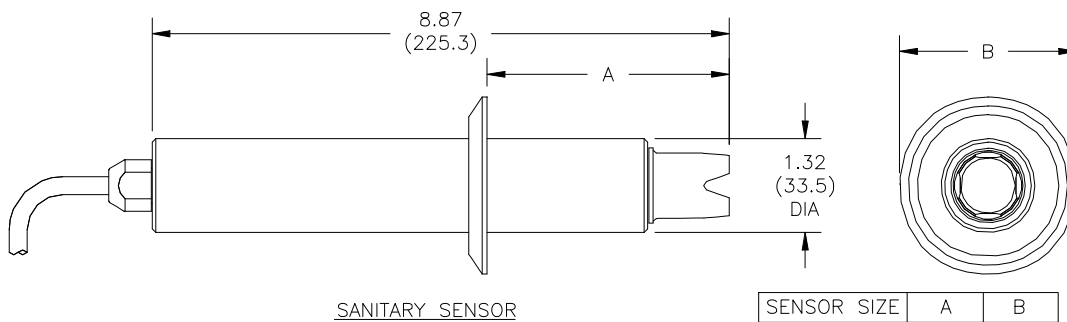
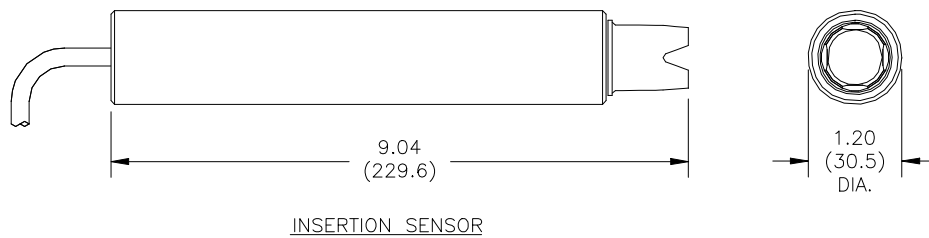
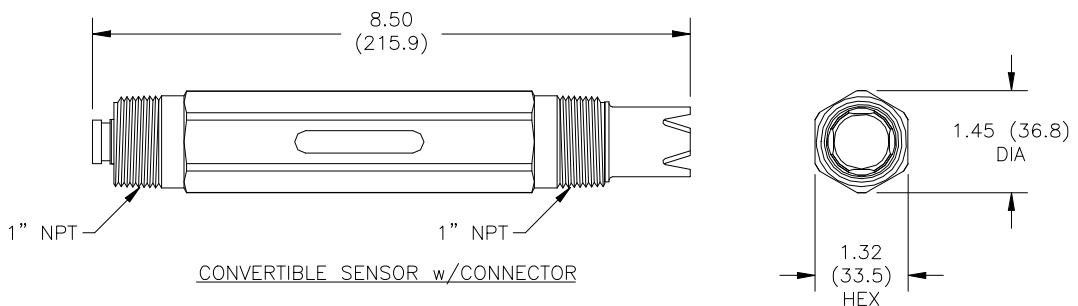
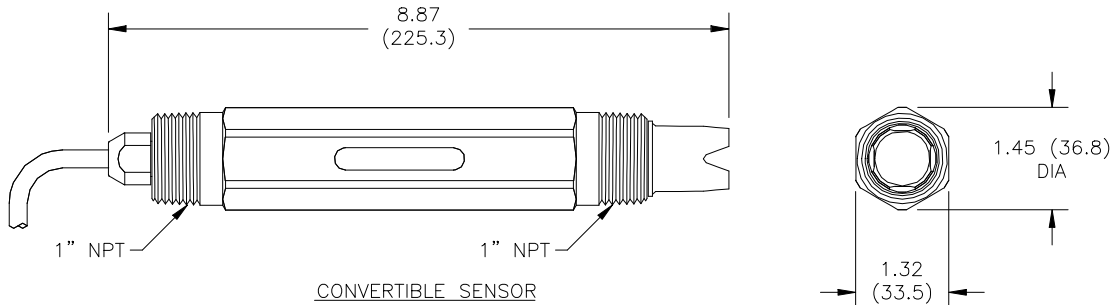


INTERNAL BATTERY CONFIGURATION



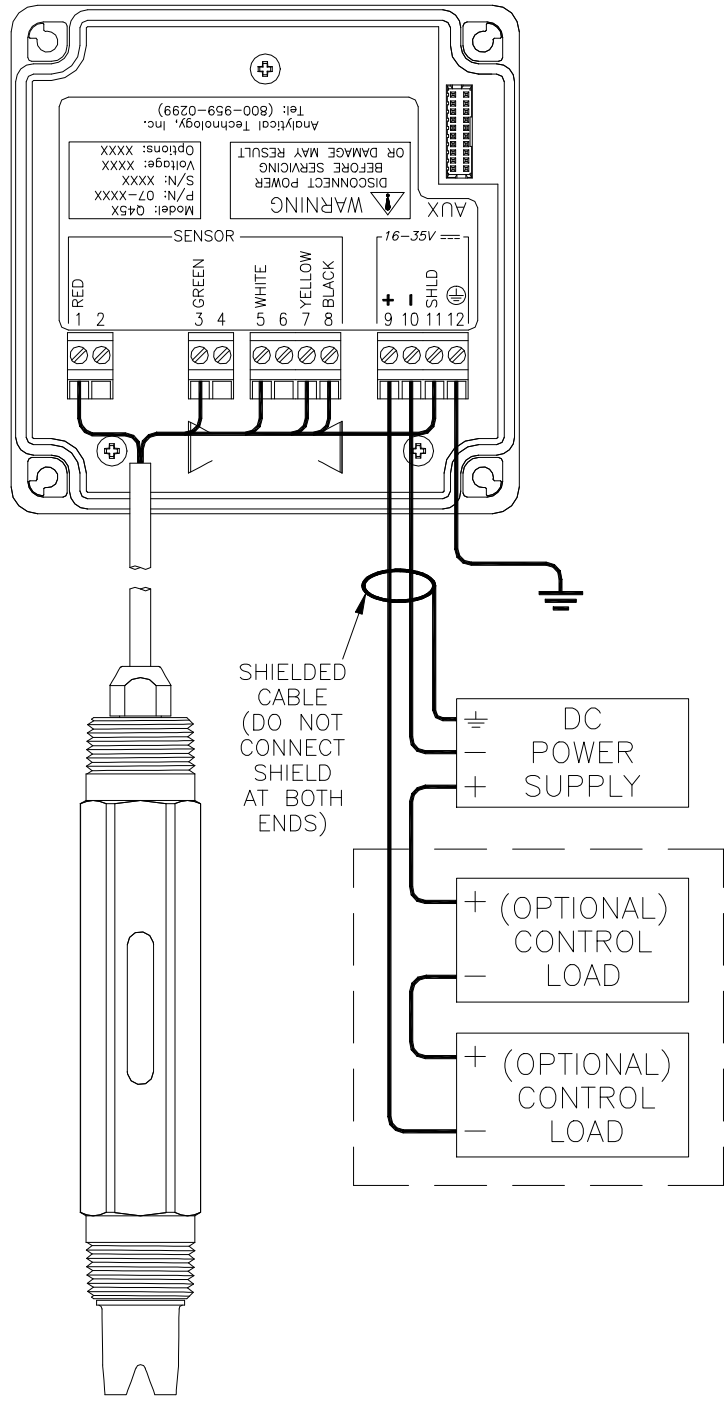
ATI-0827b

Q25 pH/ORP SENSOR DIMENSIONS



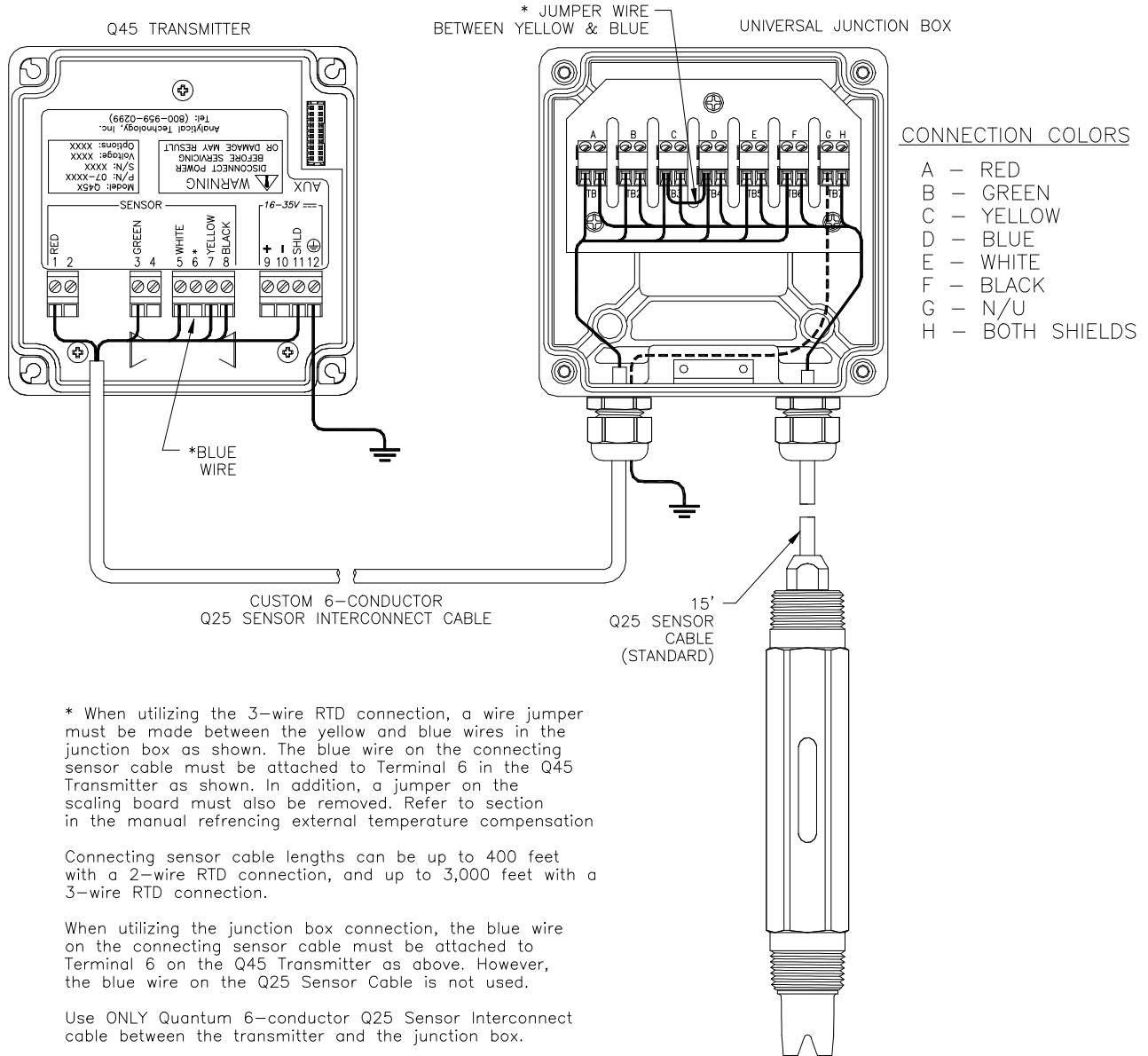
SENSOR SIZE	A	B
1-1/2"	2.75 (70.0)	1.98 (50.4)
2"	3.50 (88.9)	2.50 (63.5)

ELECTRICAL CONNECTIONS - 2-WIRE TRANSMITTER

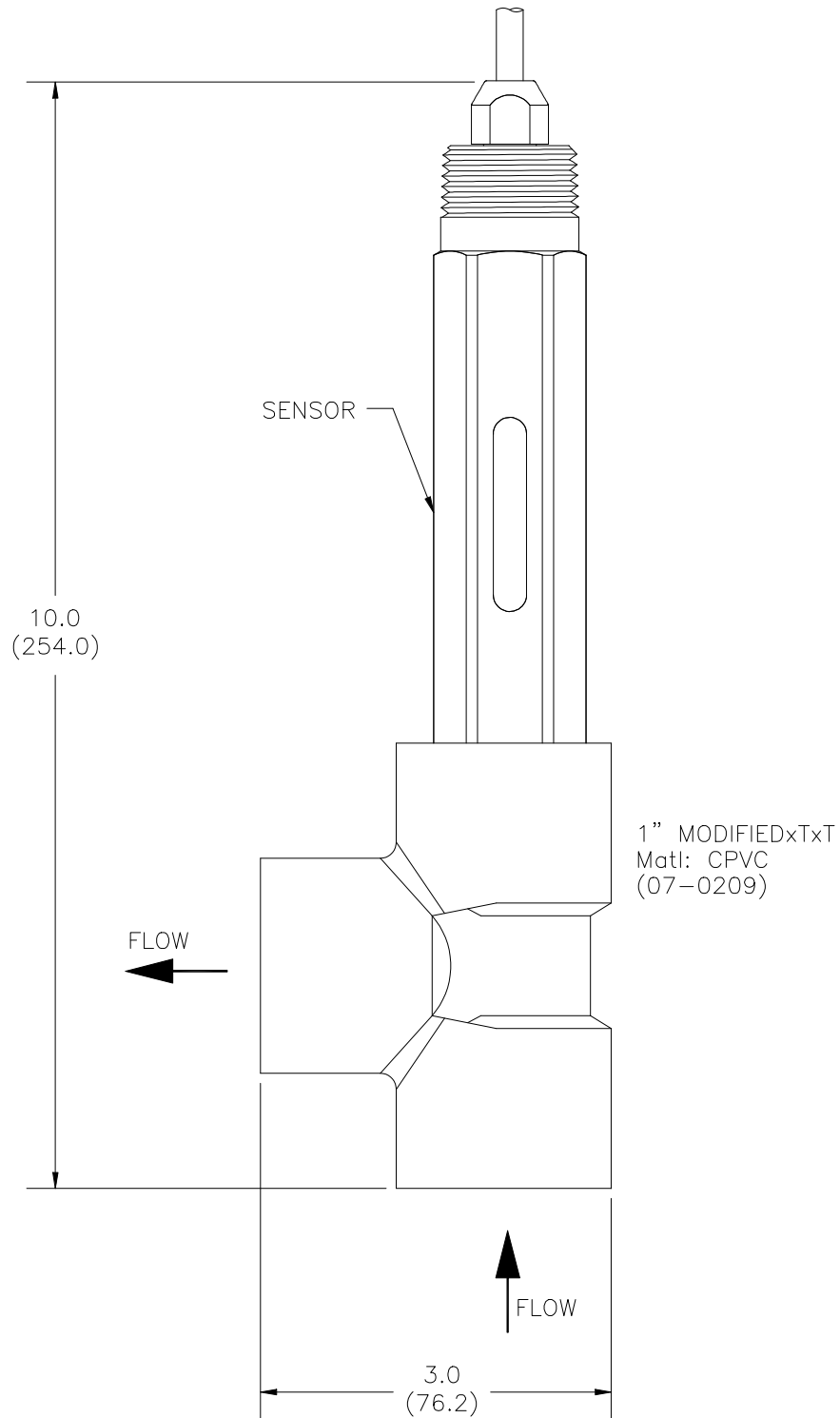


- NOTES:** 1. Voltage between Terminals 9 & 10 **MUST** be between 16 & 35 VDC.
 2. Earth ground into Terminal 12 is **HIGHLY** recommended. This connection can greatly improve stability in electrically noisy environments.

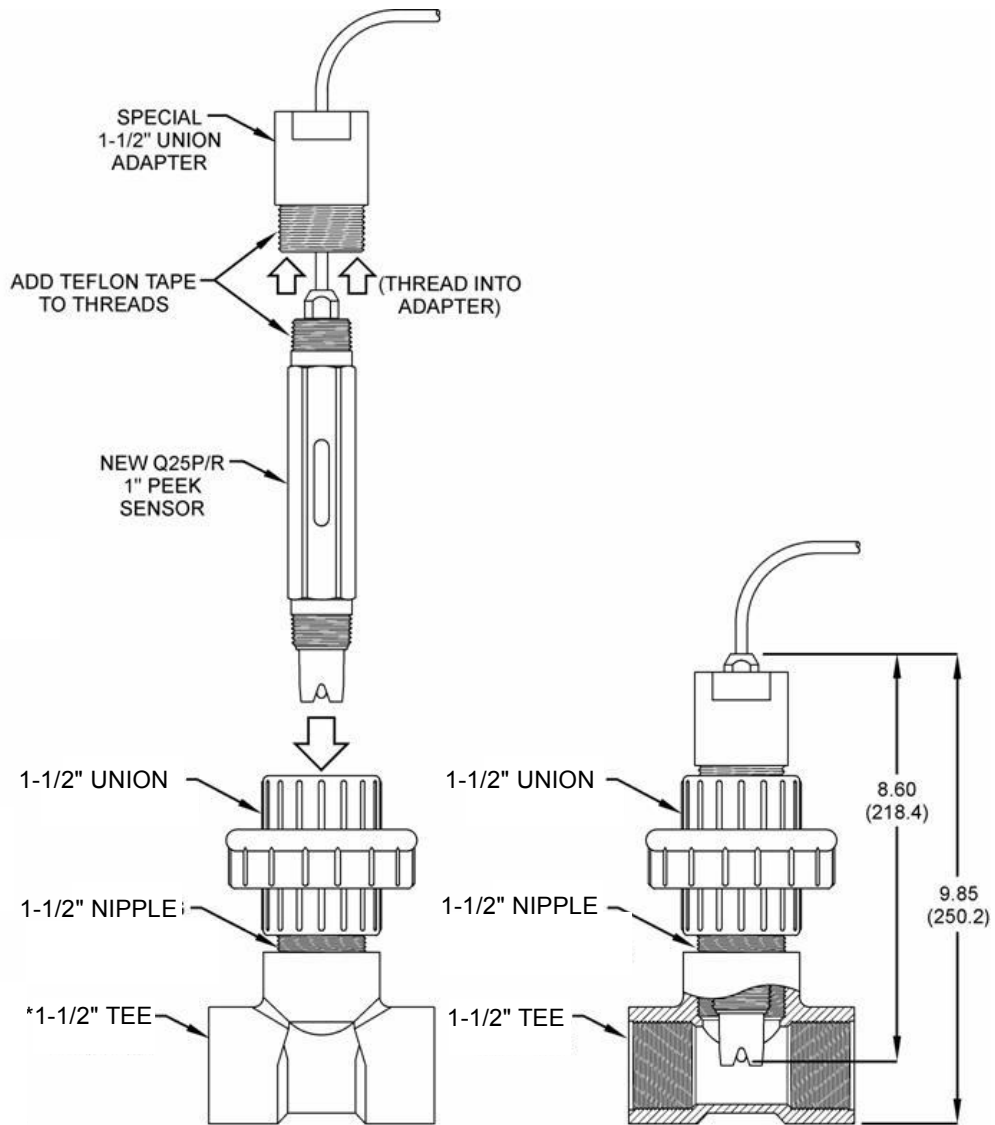
ELECTRICAL CONNECTIONS - 2-WIRE WITH JUNCTION BOX



FLOW TEE DETAIL

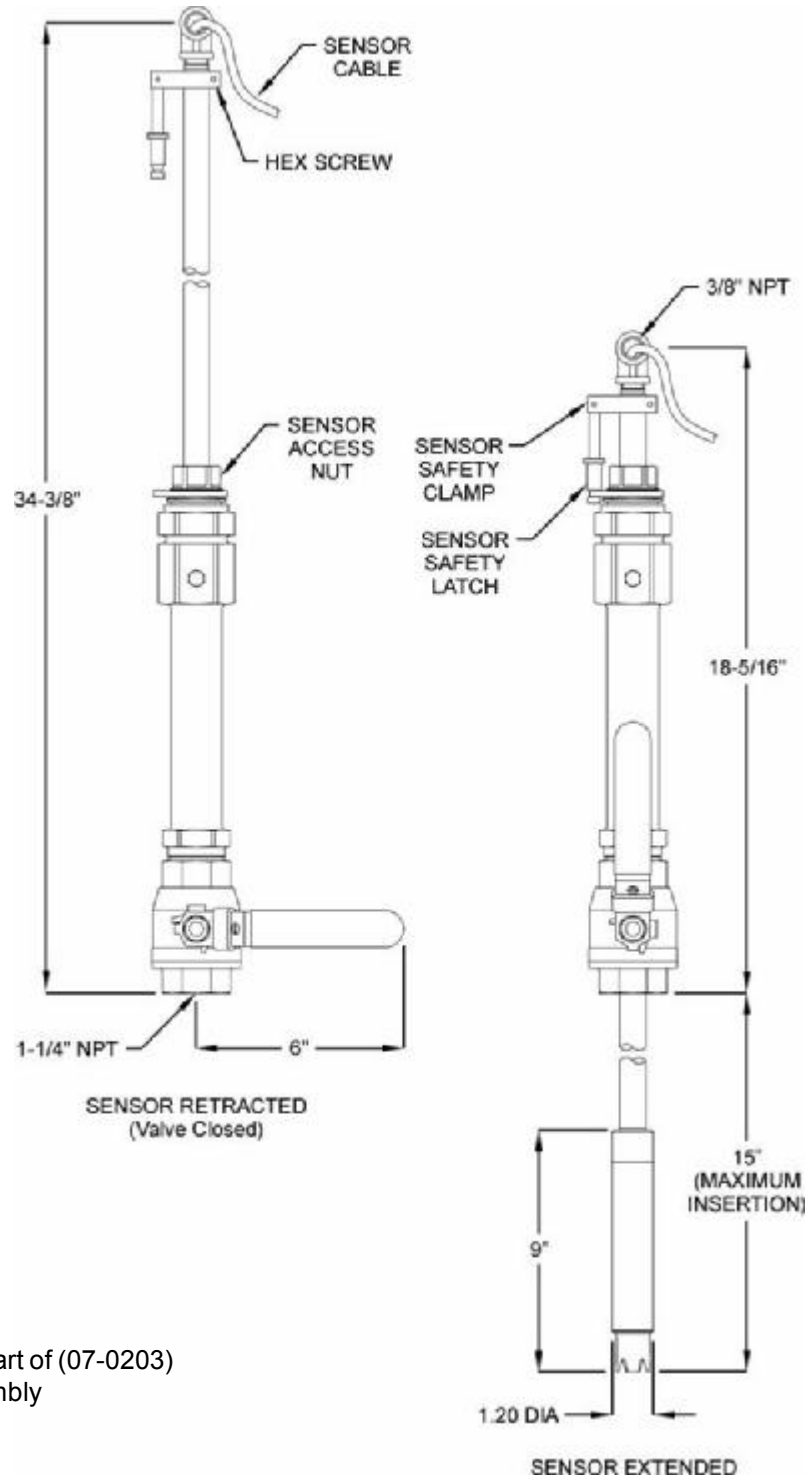


1-1/2" UNION DETAIL - (07-0221)



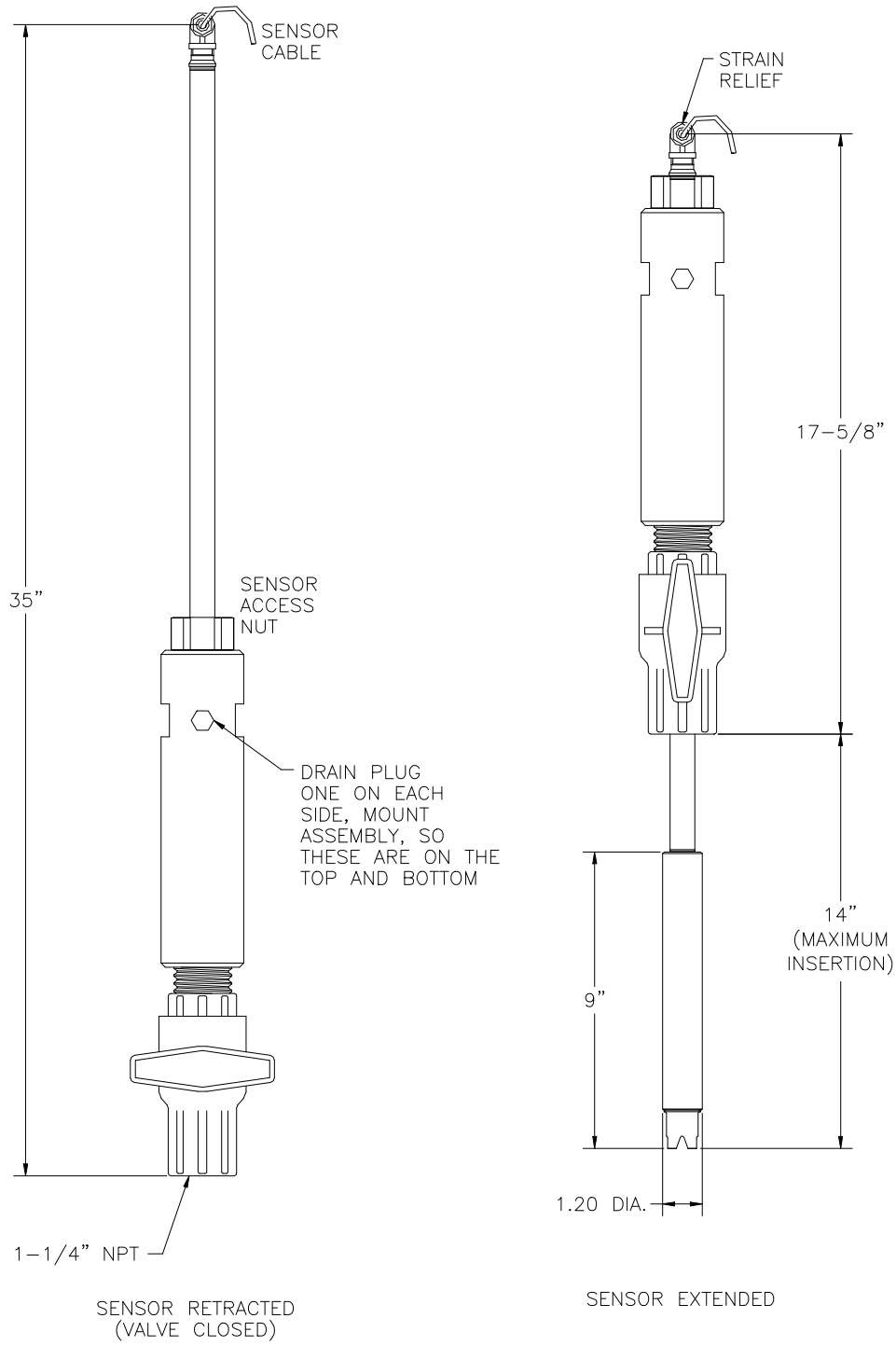
* 1-1/2" TEE Fitting not supplied with P/N (07-0221). Tee Fitting must be ordered Separately

INSERTION ASSEMBLY DETAIL (07-0203) - (SS VERSION)



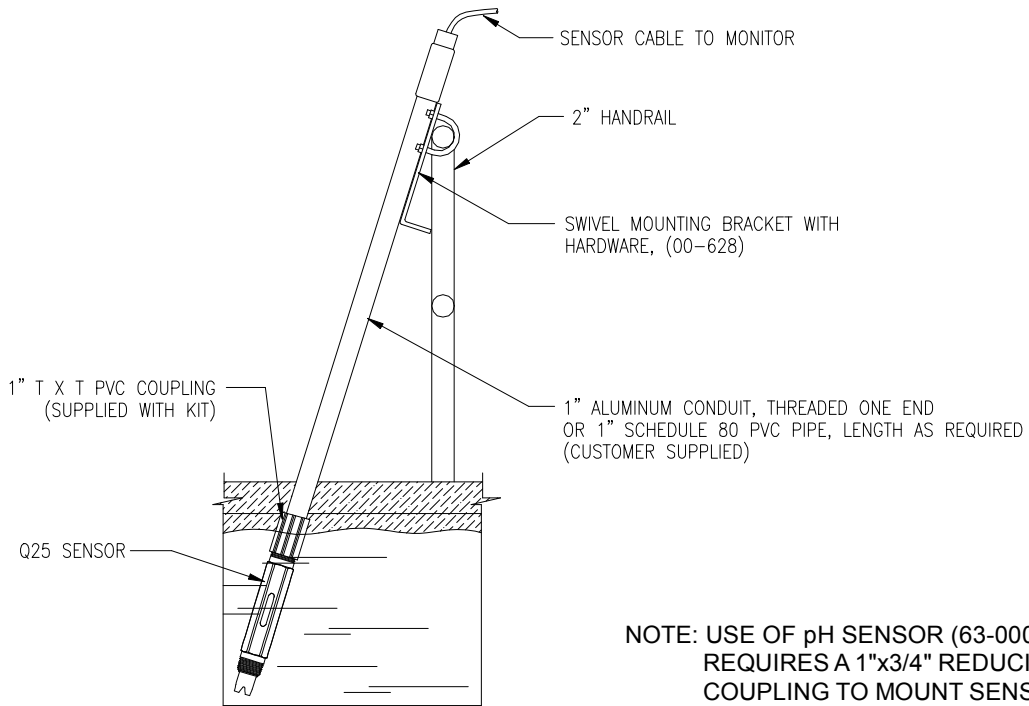
NOTE: Sensor is not part of (07-0203) insertion assembly

INSERTION ASSEMBLY DETAIL (07-0223) - (CPVC VERSION)



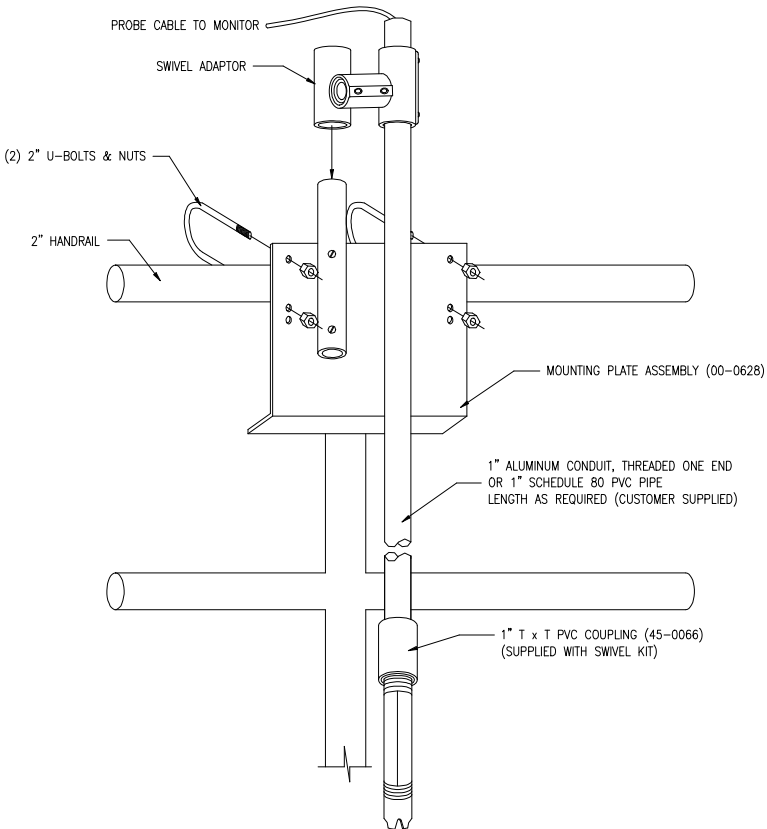
NOTE: Sensor is not part of (07-0223) insertion assembly

SUBMERSION SENSOR DETAIL



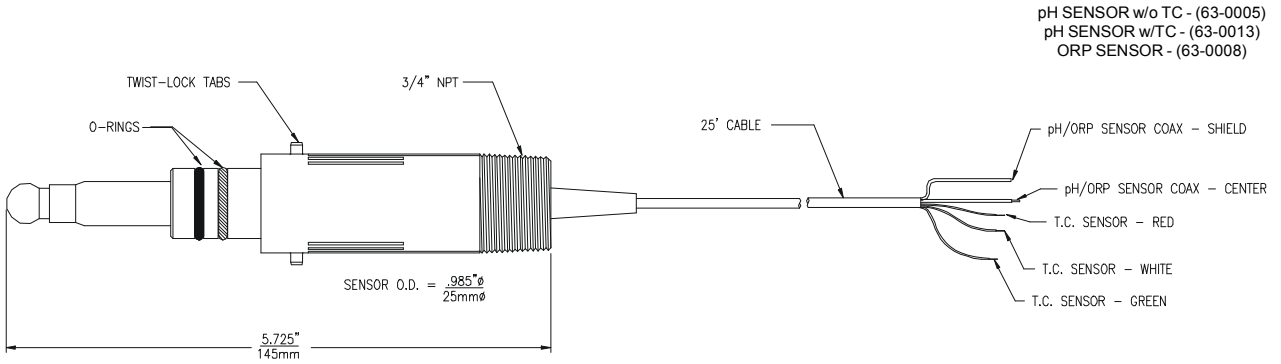
NOTE: USE OF pH SENSOR (63-0009) REQUIRES A 1"x3/4" REDUCING COUPLING TO MOUNT SENSOR TO CONDUIT (CUSTOMER SUPPLIED)

ATI-0728



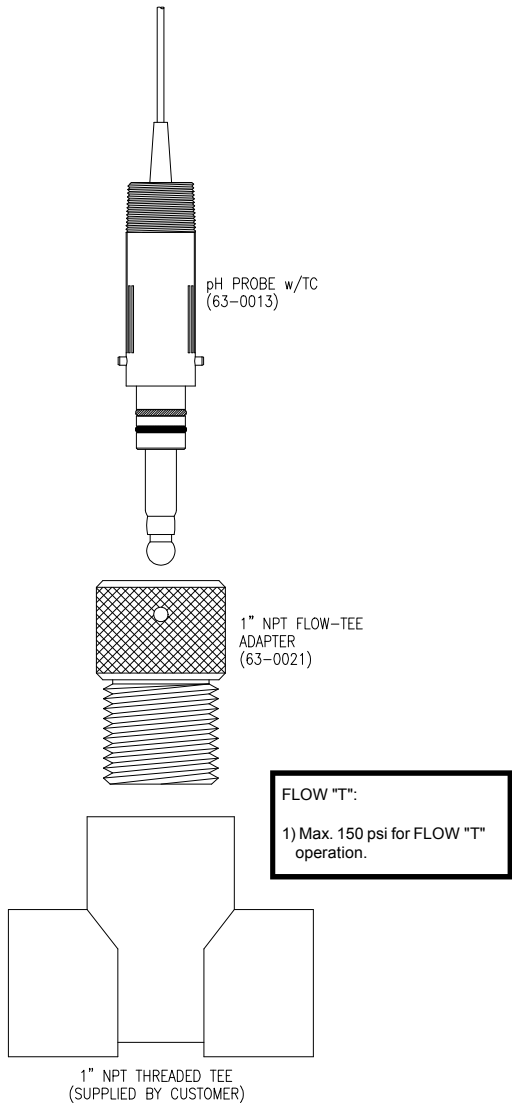
ATI-0729

FLOW SENSOR DIMENSIONS - (63-0013)



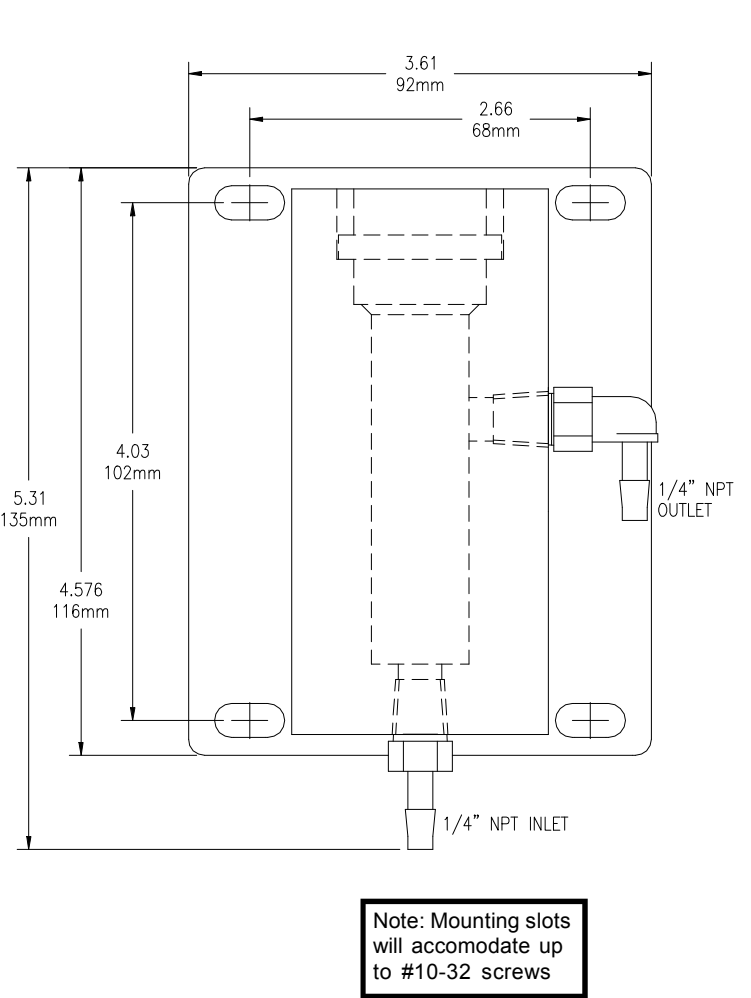
ATI-0313

FLOW "T" INSTALLATION



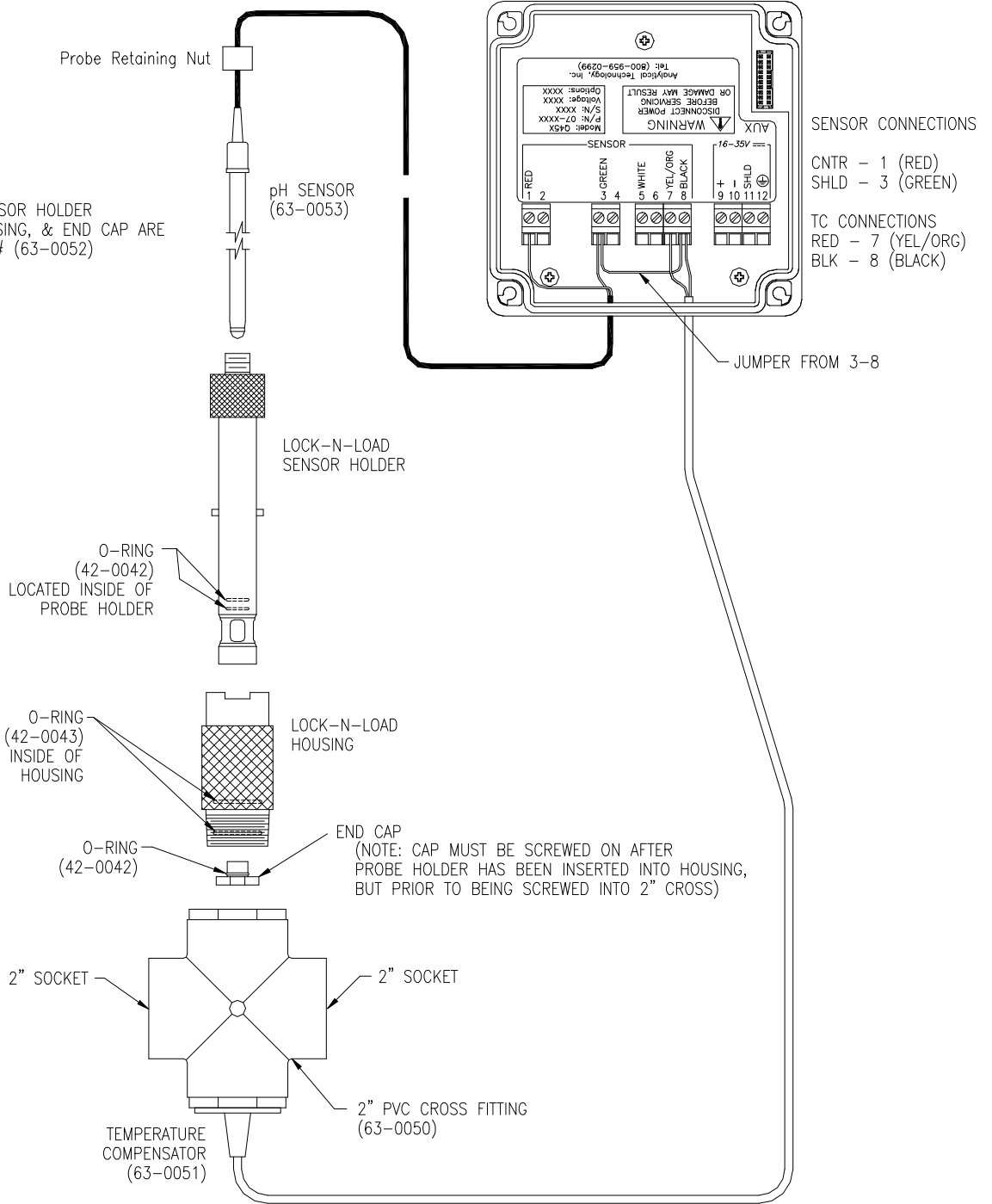
ATI-0333

SEALED pH FLOWCELL ASSY (00-1527)

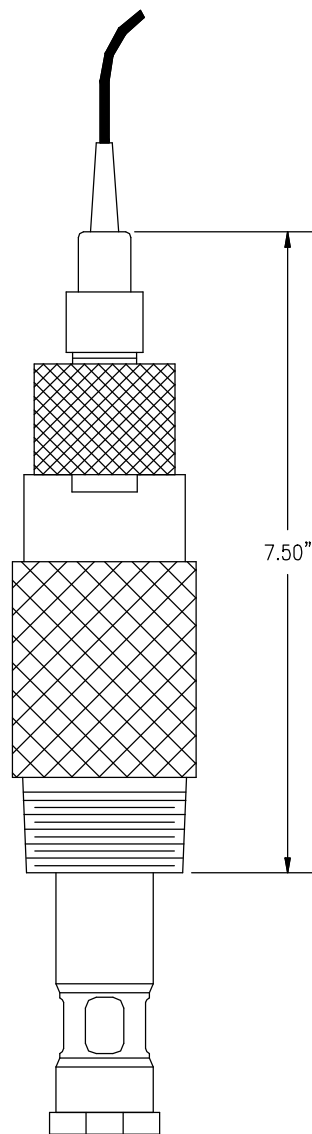


LOCK-N-LOAD SENSOR (EXPLODED VIEW)

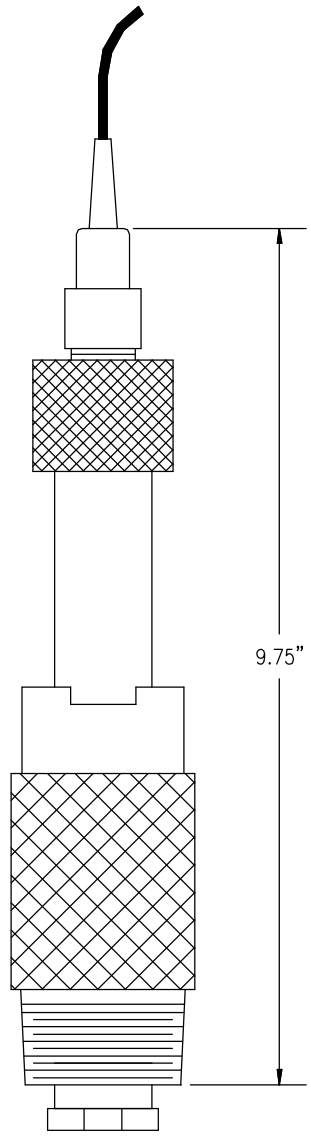
NOTE: RETAINING NUT, SENSOR HOLDER
LOCK-N-LOAD HOUSING, & END CAP ARE
INCLUDED IN PART # (63-0052)



LOCK-N-LOAD SENSOR (OPERATIONAL DIAGRAMS)



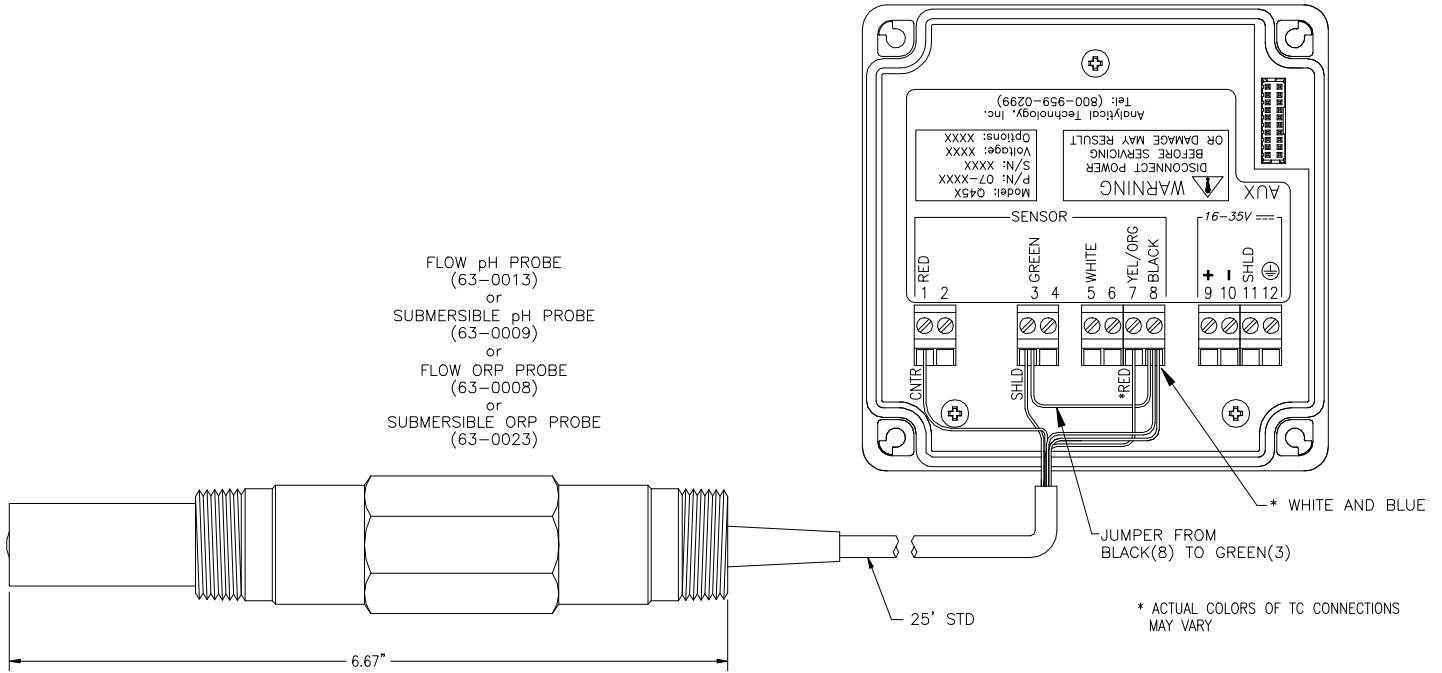
OPERATIONAL POSITION



MAINTENANCE POSITION

ATI-0626

SENSOR CONNECTION (COMBINATION ELECTRODE)



FOR OTHER COMBINATION ELECTRODES, CONNECT AS FOLLOWS:

- Terminal 1 - Glass Electrode
- 3 - Reference Electrode
- 7 - PT100 or PT1000 Temp. Element
- 8 - PT100 or PT1000 Temp Element

- NOTES: 1. Terminals 3 and 8 **MUST** be connected with jumper wire.
 2. ORP sensors **DO NOT HAVE** T/C connections.