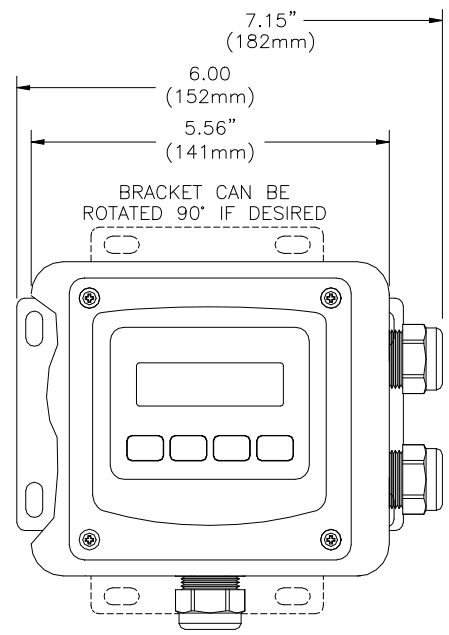
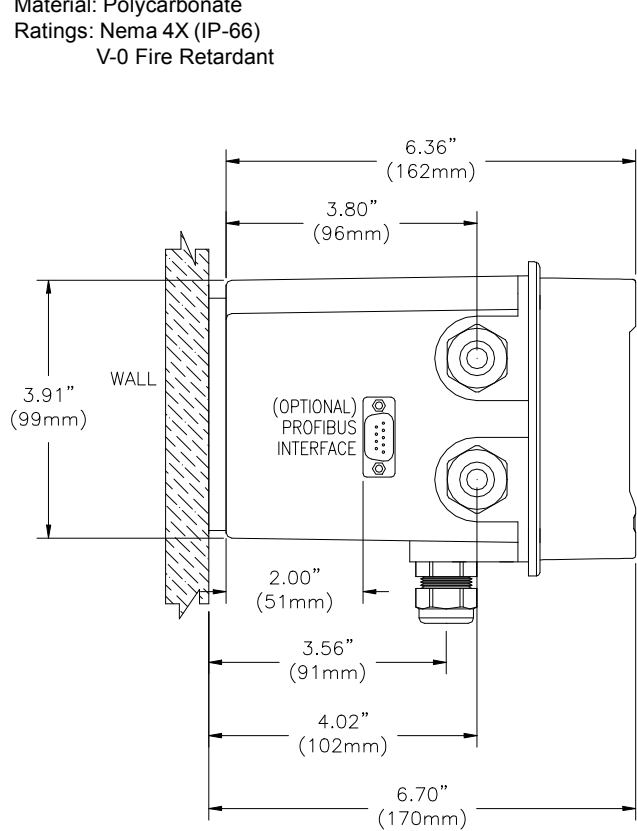


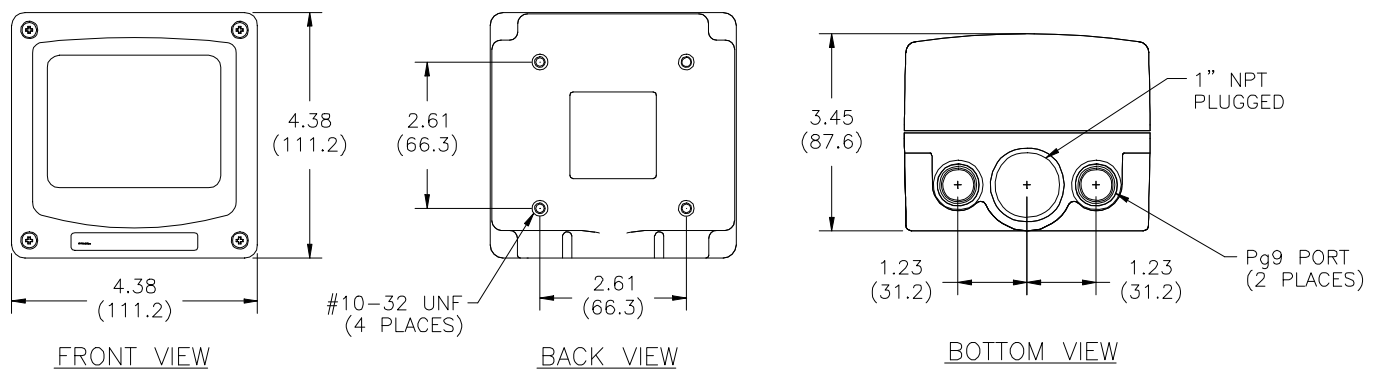
**ANALYZER DIMENSIONS (WALL MOUNT SHOWN)**

Material: Polycarbonate  
 Ratings: Nema 4X (IP-66)  
 V-0 Fire Retardant



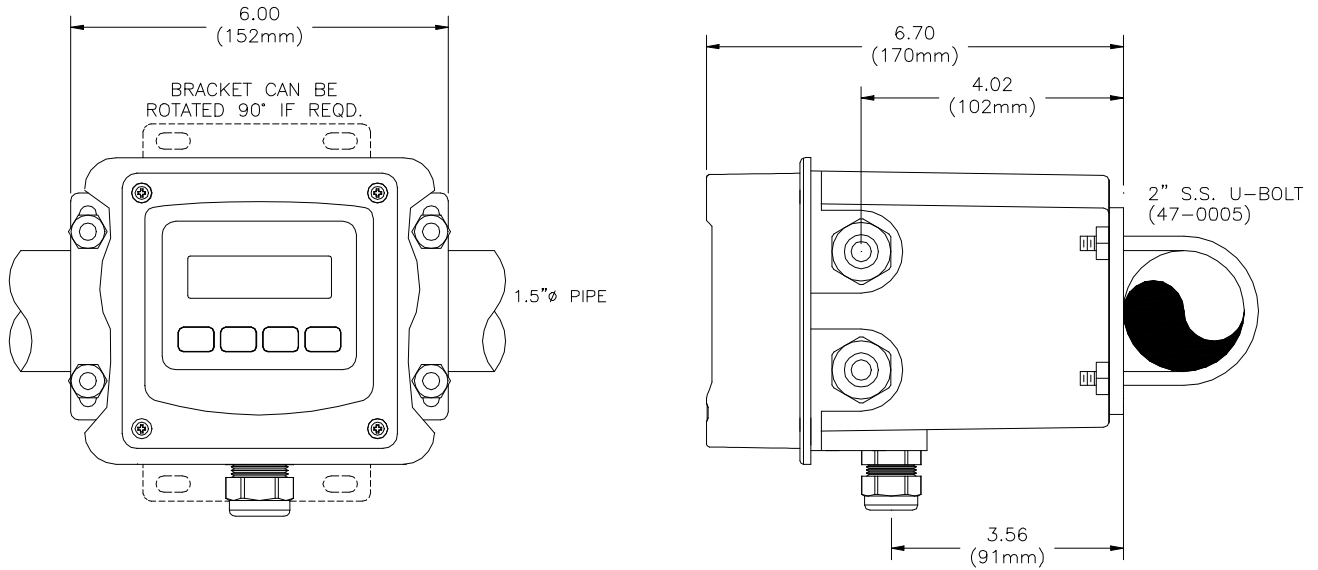
ATI-0926

**JUNCTION BOX**



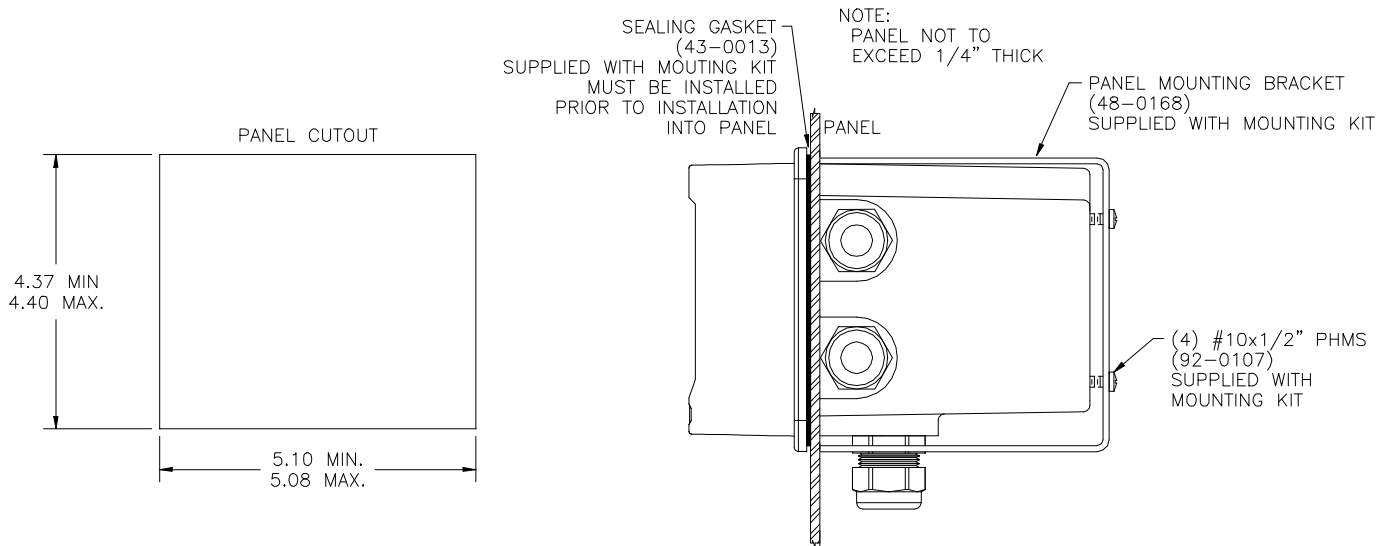
ATI-0655

**PIPE MOUNTING**



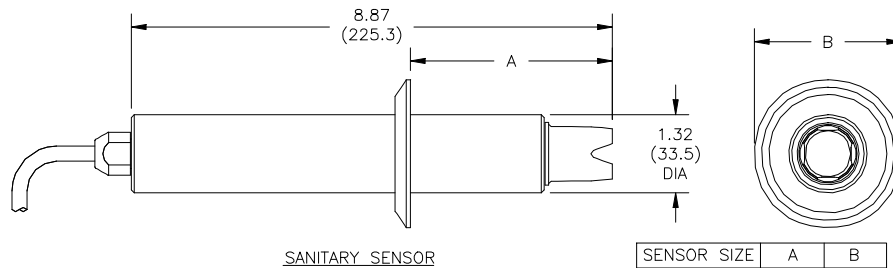
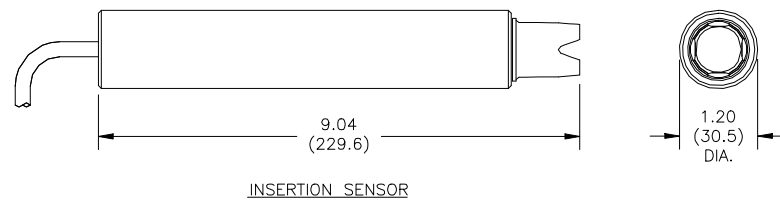
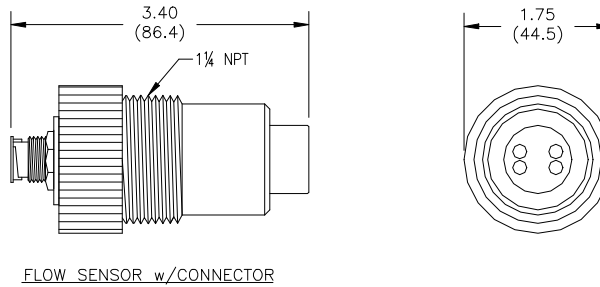
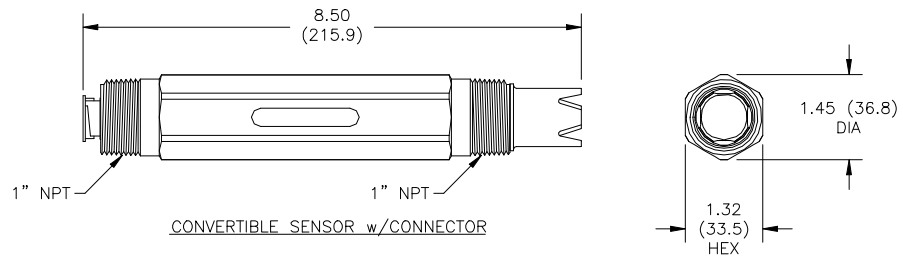
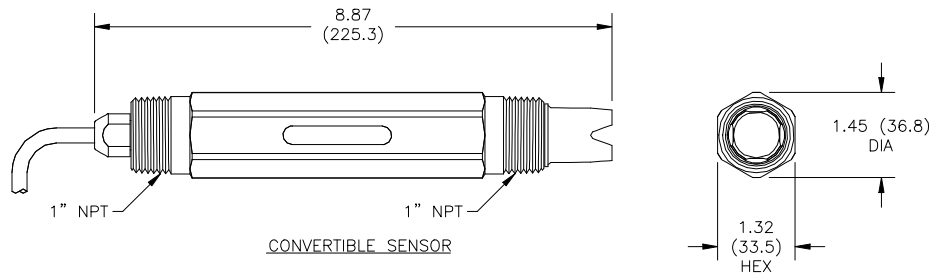
ATI-0927

**PANEL MOUNTING DIAGRAM**



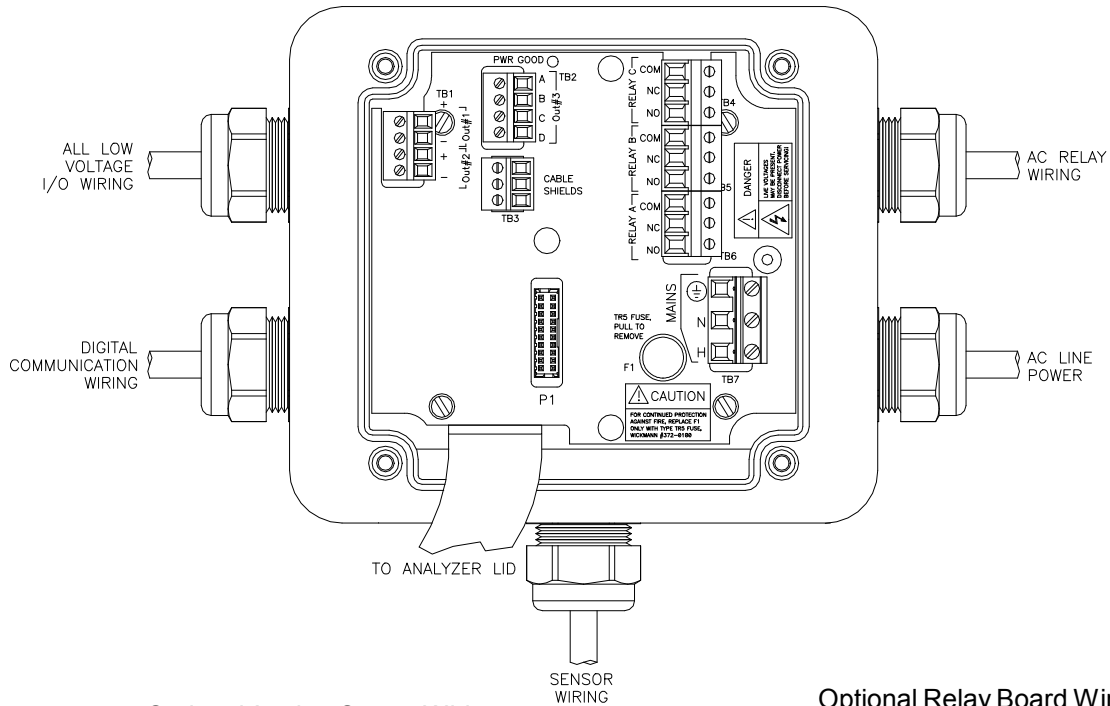
ATI-0928

**Q25C4 4E CONDUCTIVITY SENSOR DIMENSIONS**

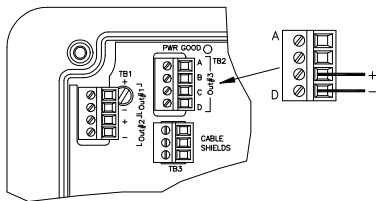


SENSOR SIZE	A	B
1-1/2"	2.75 (70.0)	1.98 (50.4)
2"	3.50 (88.9)	2.50 (63.5)

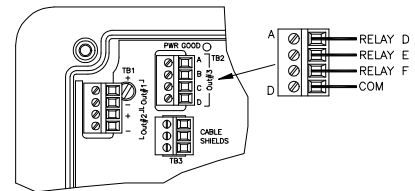
**POWER, RELAY, AND OUTPUT CONNECTIONS**



Optional Analog Output Wiring

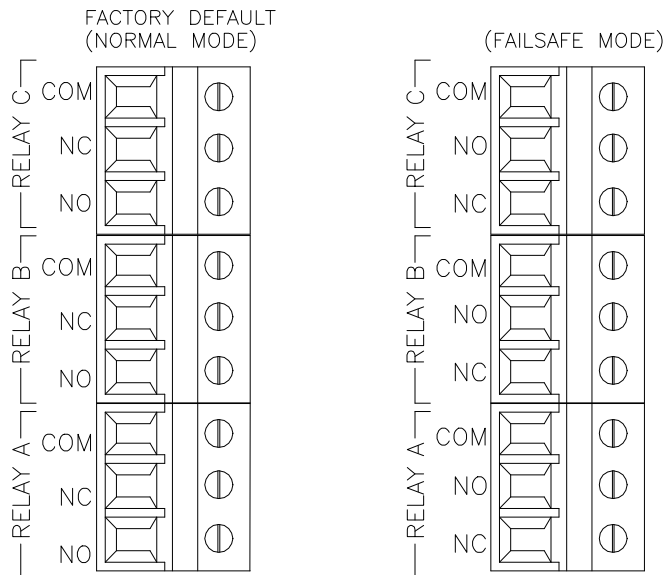


Optional Relay Board Wiring (30V Max.)



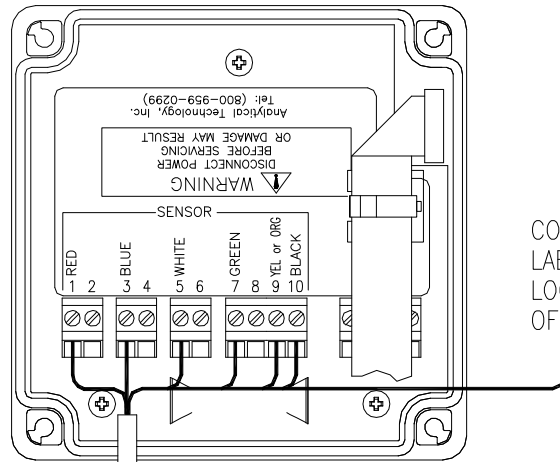
ATI-0930, 0932, 0933

**RELAY WIRING TB4,5,6 DETAIL**



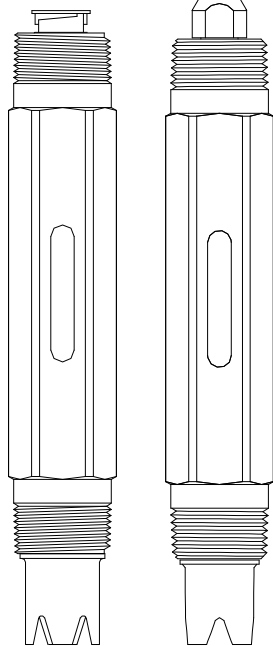
ATI-0931

**ELECTRICAL CONNECTIONS**



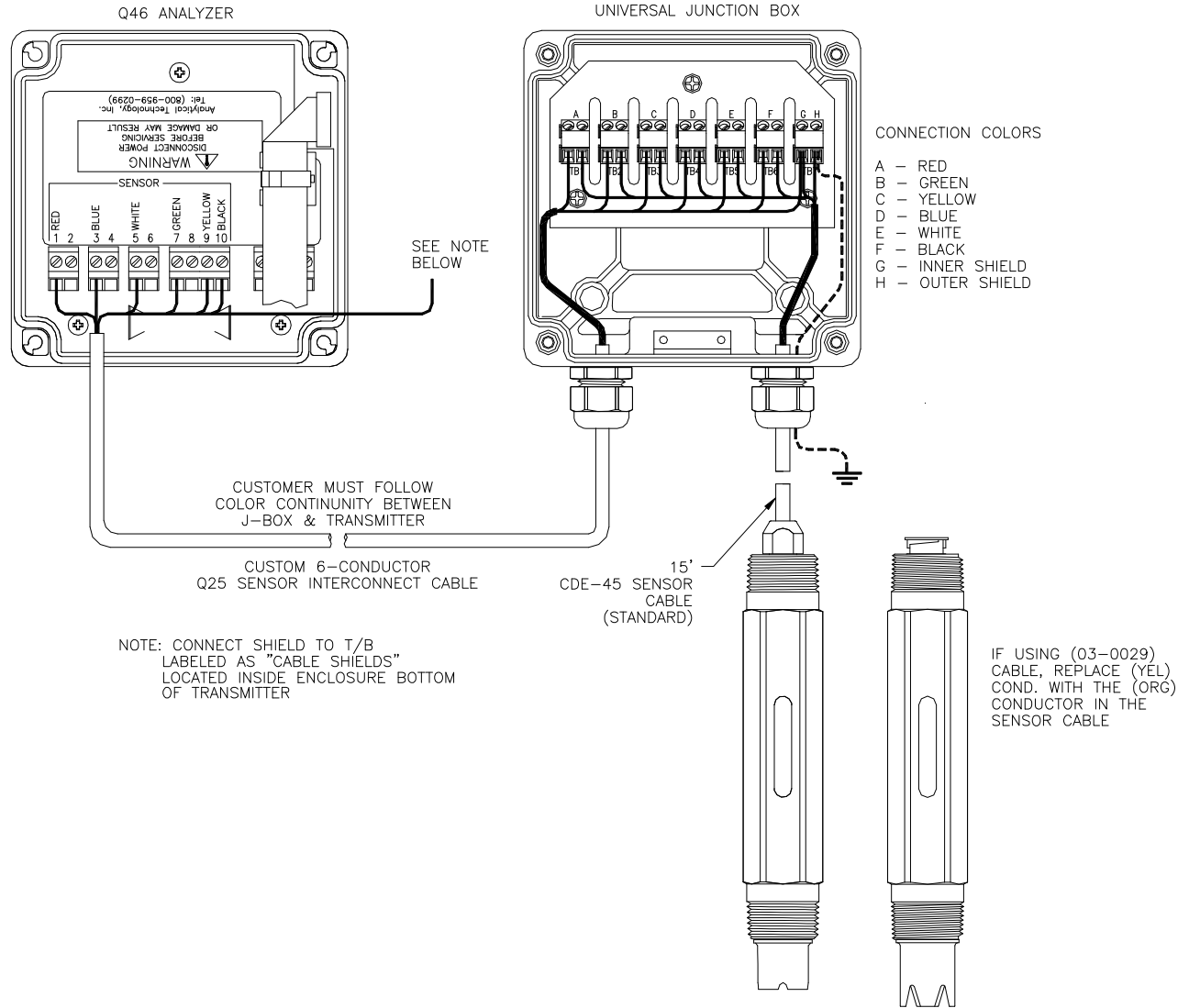
CONNECT SHIELD TO T/B  
LABELED AS "CABLE SHIELDS"  
LOCATED INSIDE ENCLOSURE BOTTOM  
OF TRANSMITTER

IF USING (03-0029)  
CABLE, REPLACE (YEL)  
COND. WITH THE (ORG)  
CONDUCTOR IN THE  
SENSOR CABLE

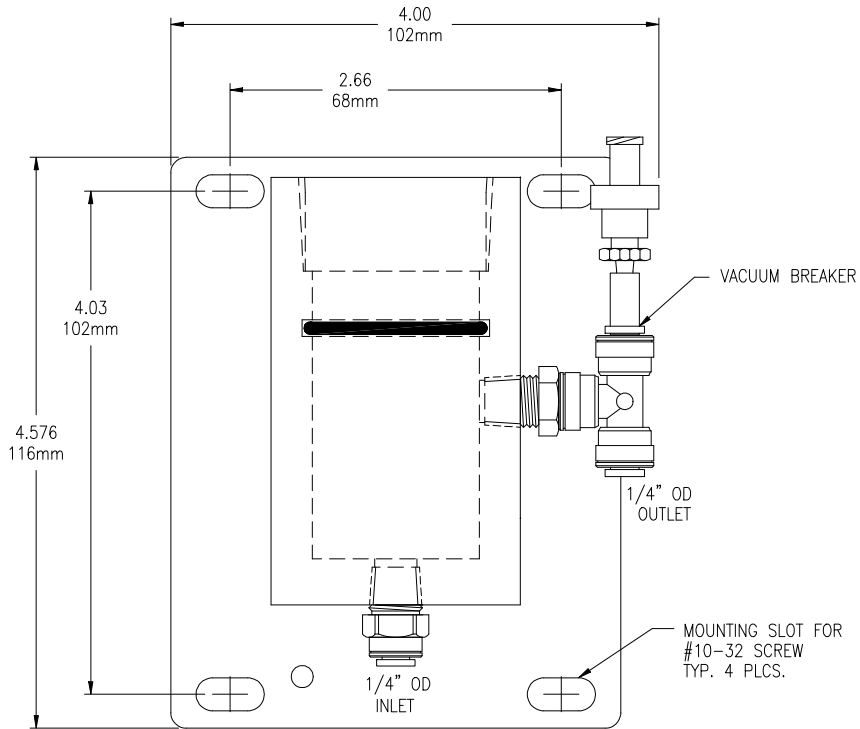


Q45C4  
SENSOR

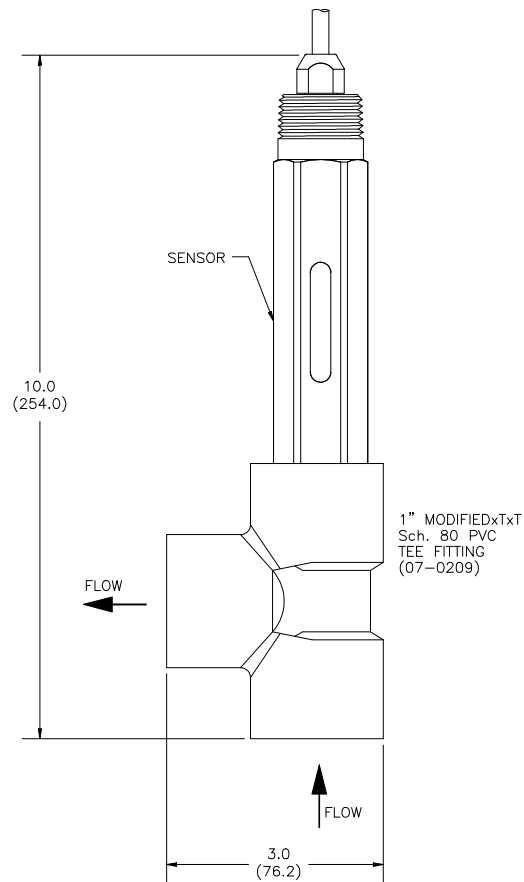
**ELECTRICAL CONNECTIONS - 2-WIRE WITH JUNCTION BOX**



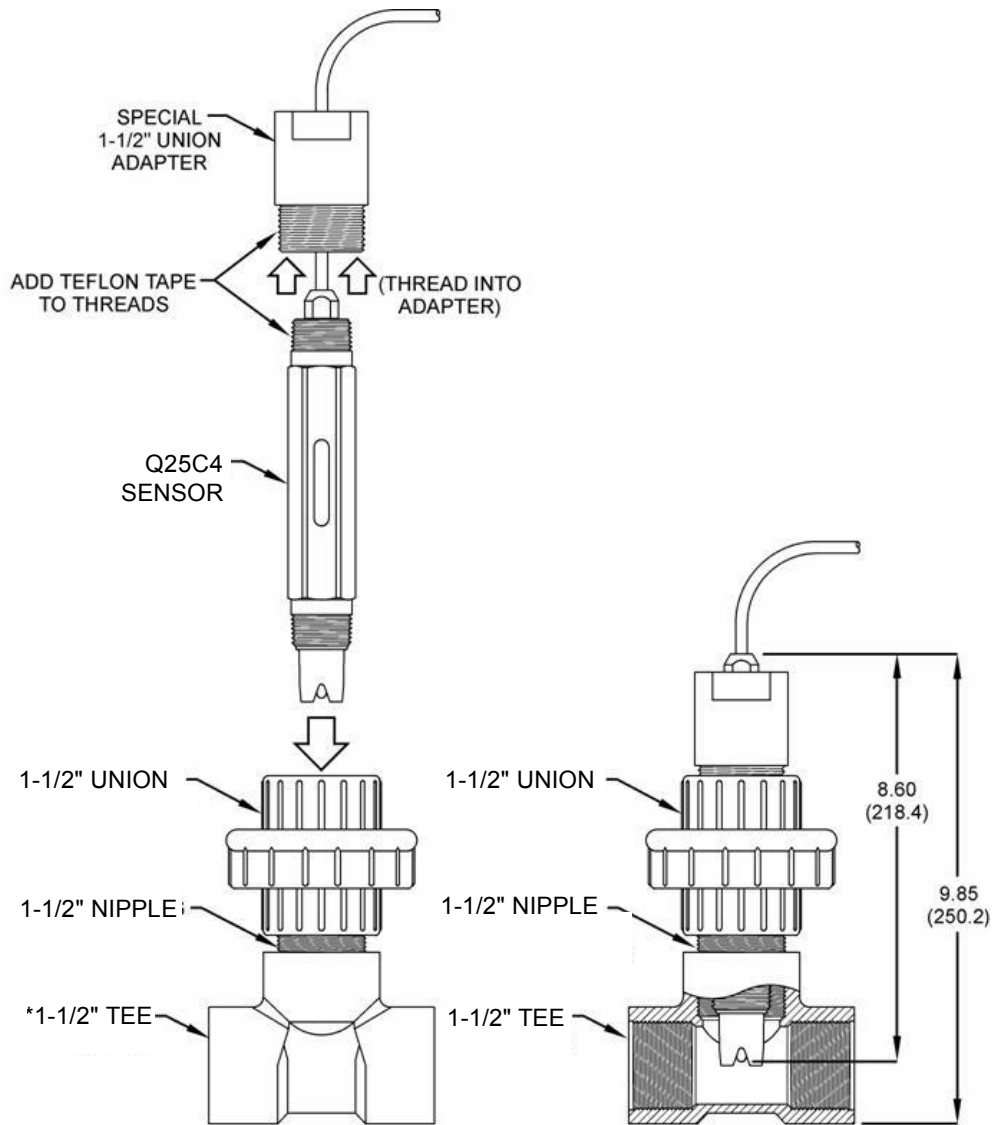
**FLOW STYLE SENSOR FLOWCELL DETAIL (00-1522)**



**FLOW TEE DETAIL**



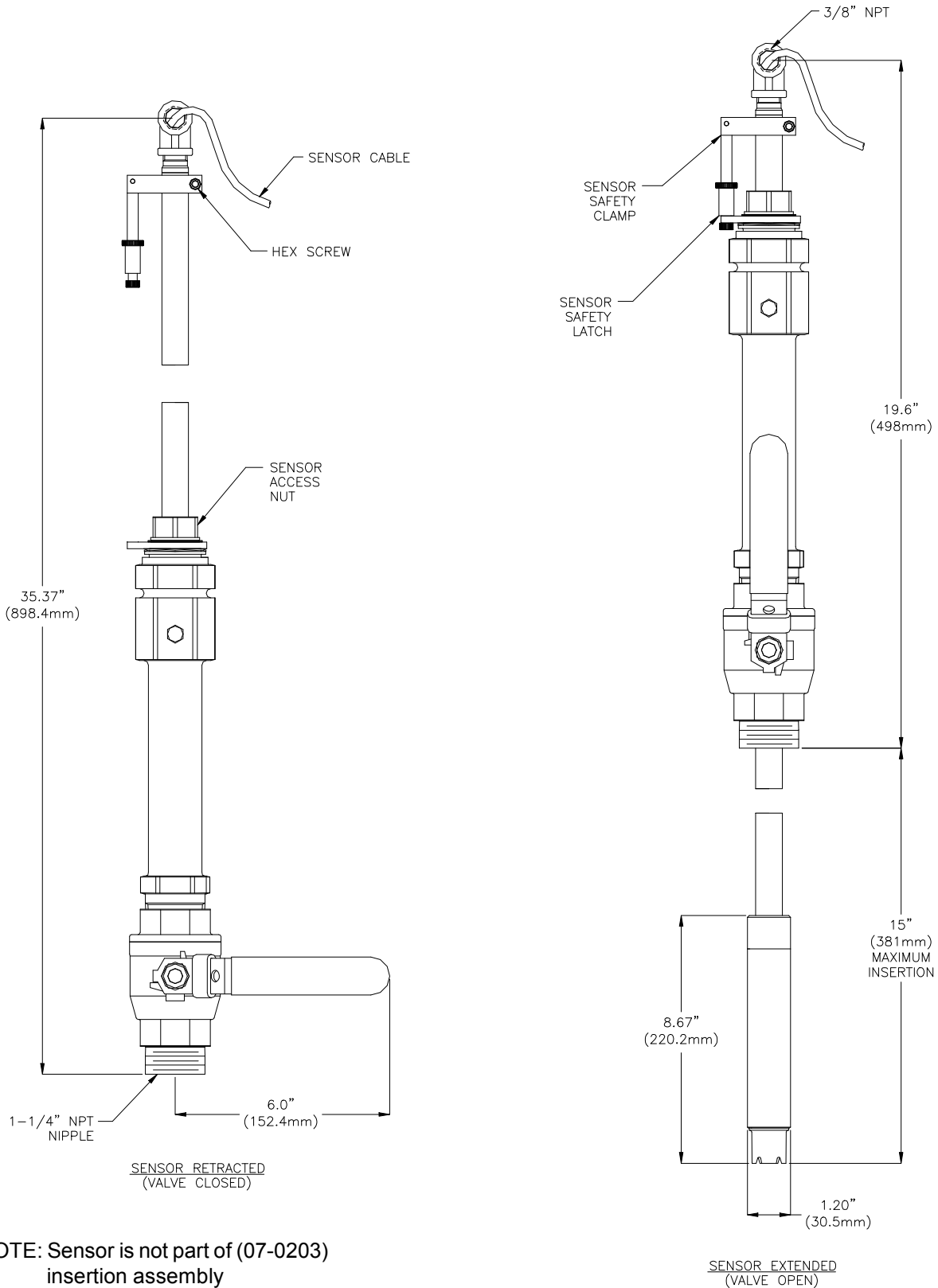
1-1/2" UNION DETAIL - (07-0221)



\* 1-1/2" TEE Fitting not supplied with P/N (07-0221). Tee Fitting must be ordered Separately



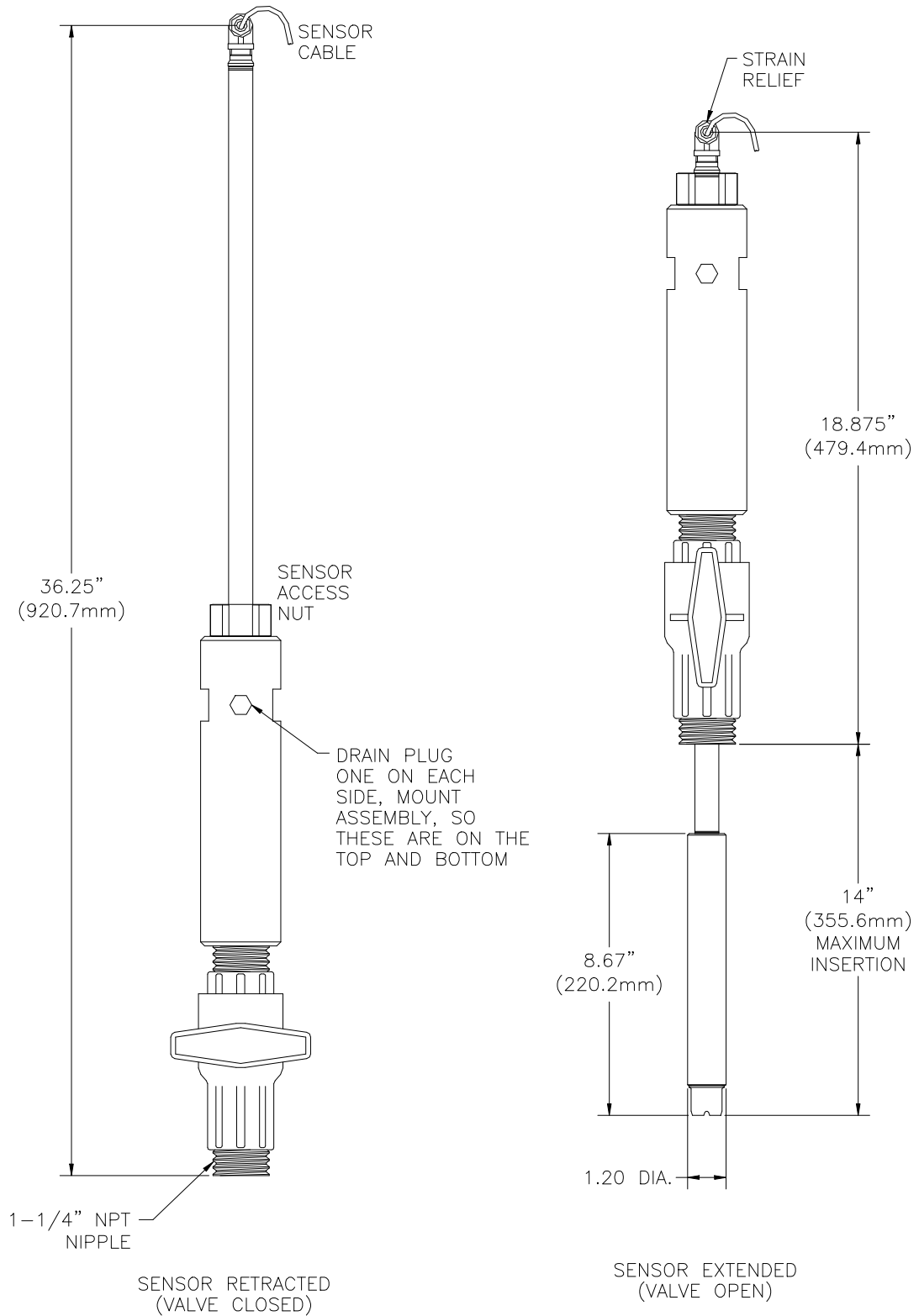
**INSERTION ASSEMBLY DETAIL (07-0203) - (SS VERSION)**



NOTE: Sensor is not part of (07-0203) insertion assembly

ATI-0739

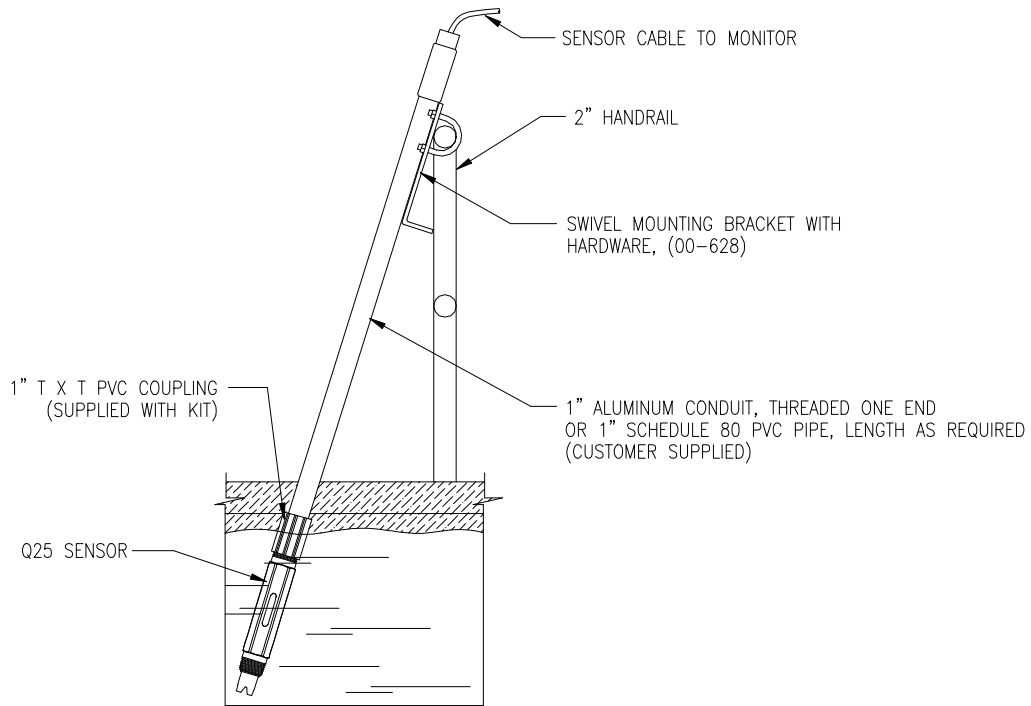
**INSERTION ASSEMBLY DETAIL (07-0223) - (CPVC VERSION)**



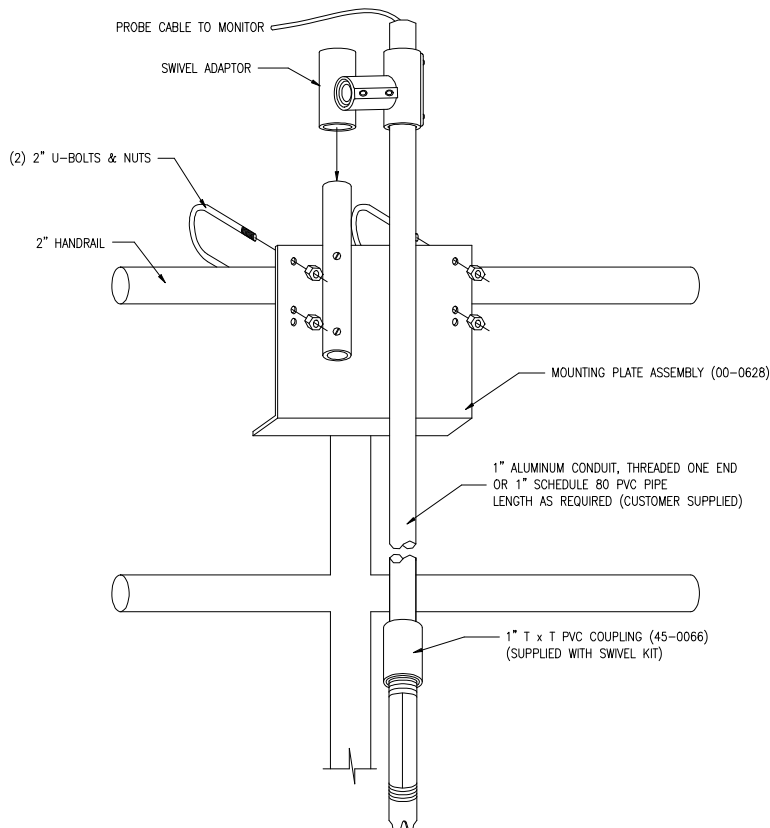
NOTE: Sensor is not part of (07-0223) insertion assembly

ATI-0682

**(00-0628) SUBMERSION MOUNTING ASSEMBLY**



ATI-0728



ATI-0729