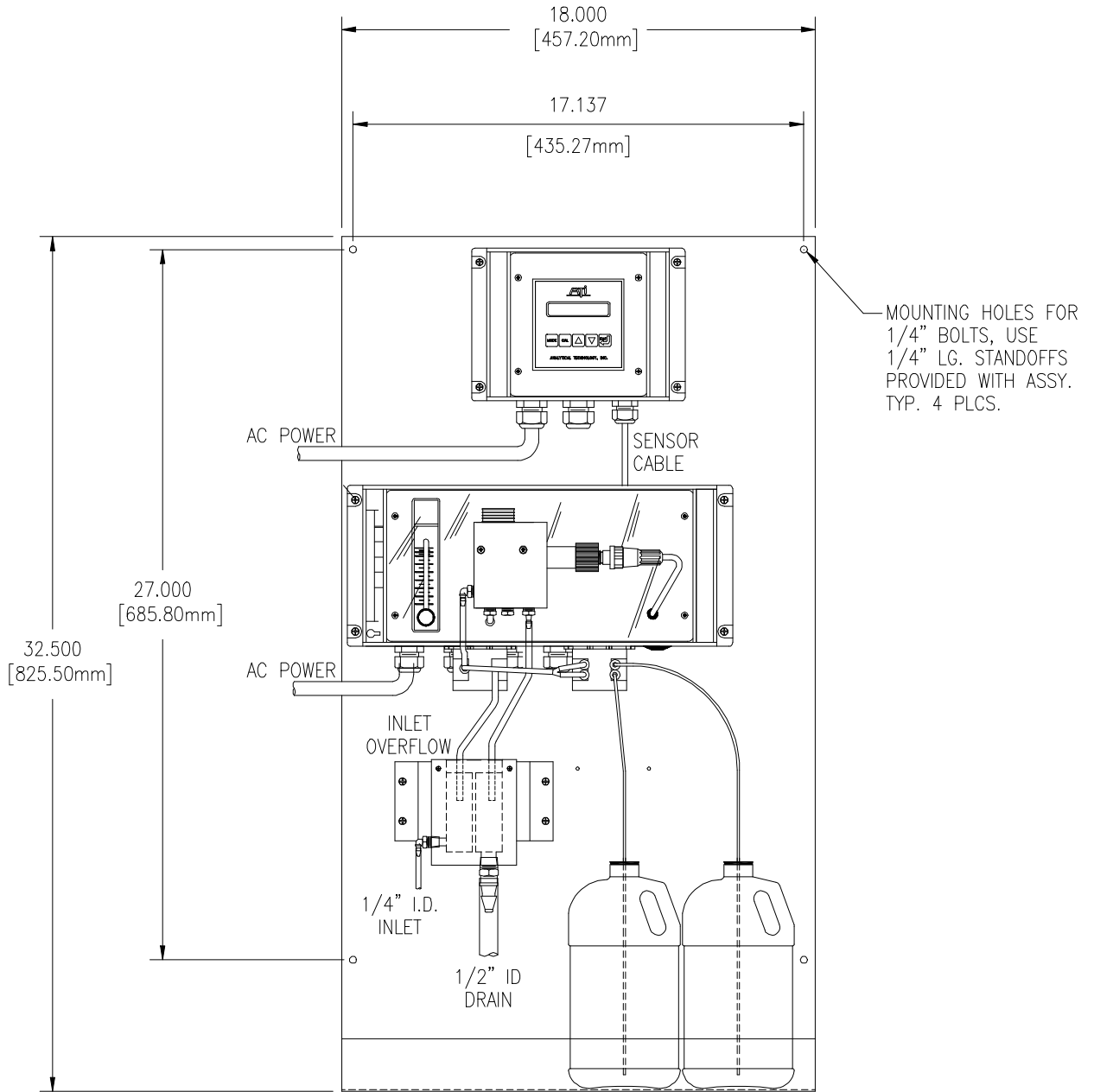
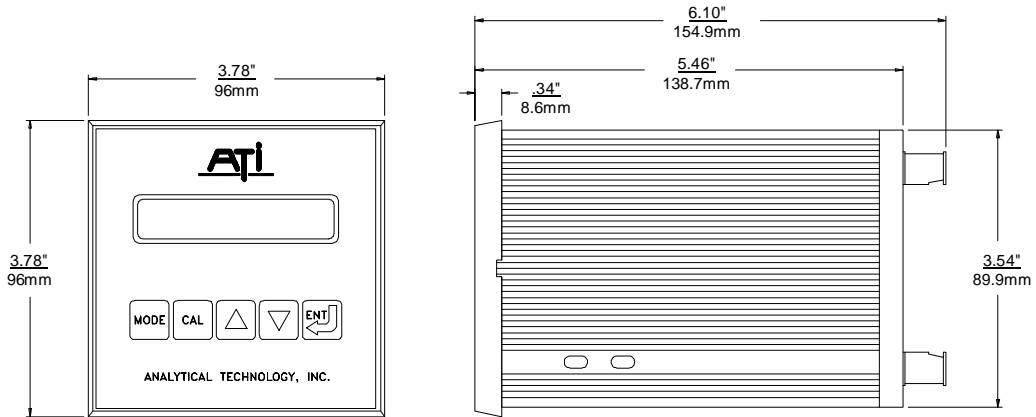


WALL MOUNT SYSTEM CONFIGURATION (STRIPPING STYLE)



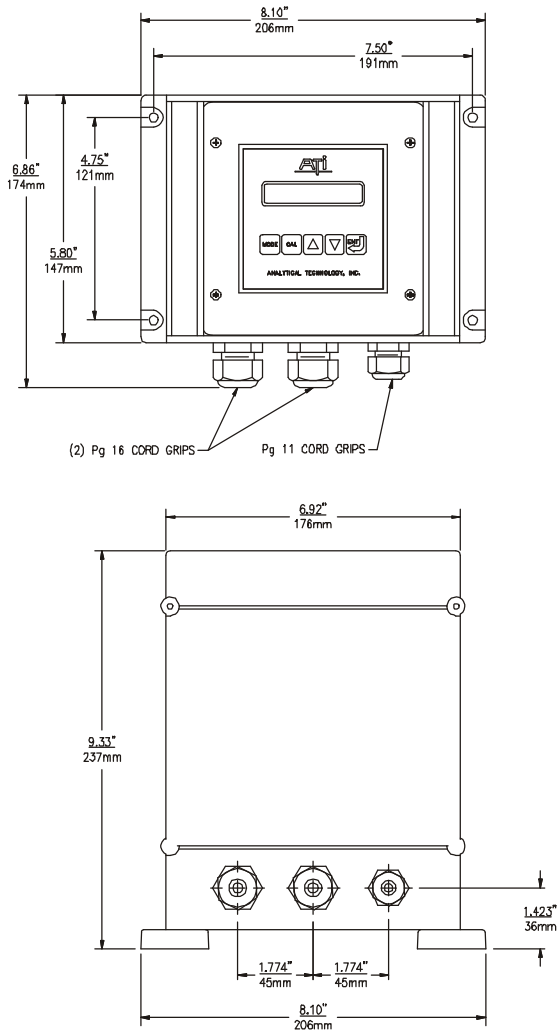
ATI-0555

PANEL MOUNT VERSION - (00-0039)



ATI-0124

NEMA-4X VERSION

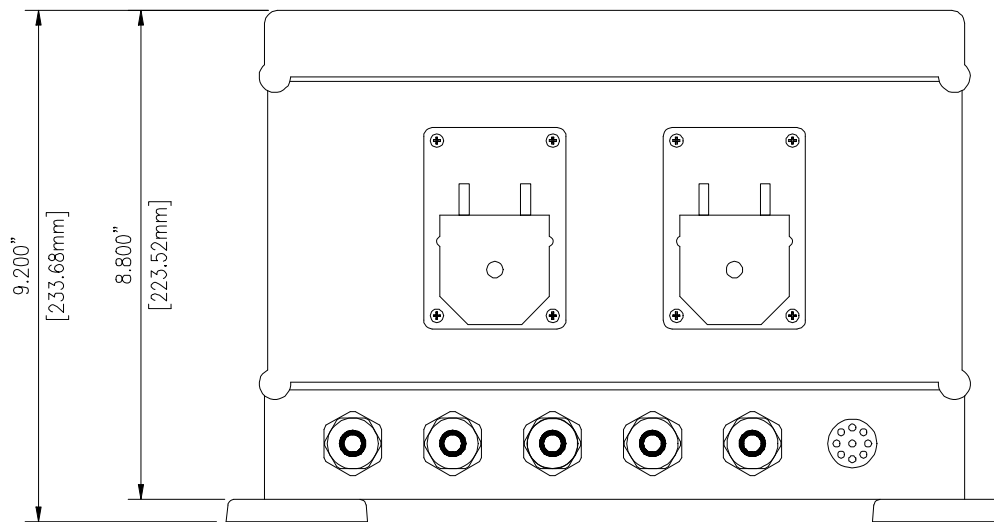
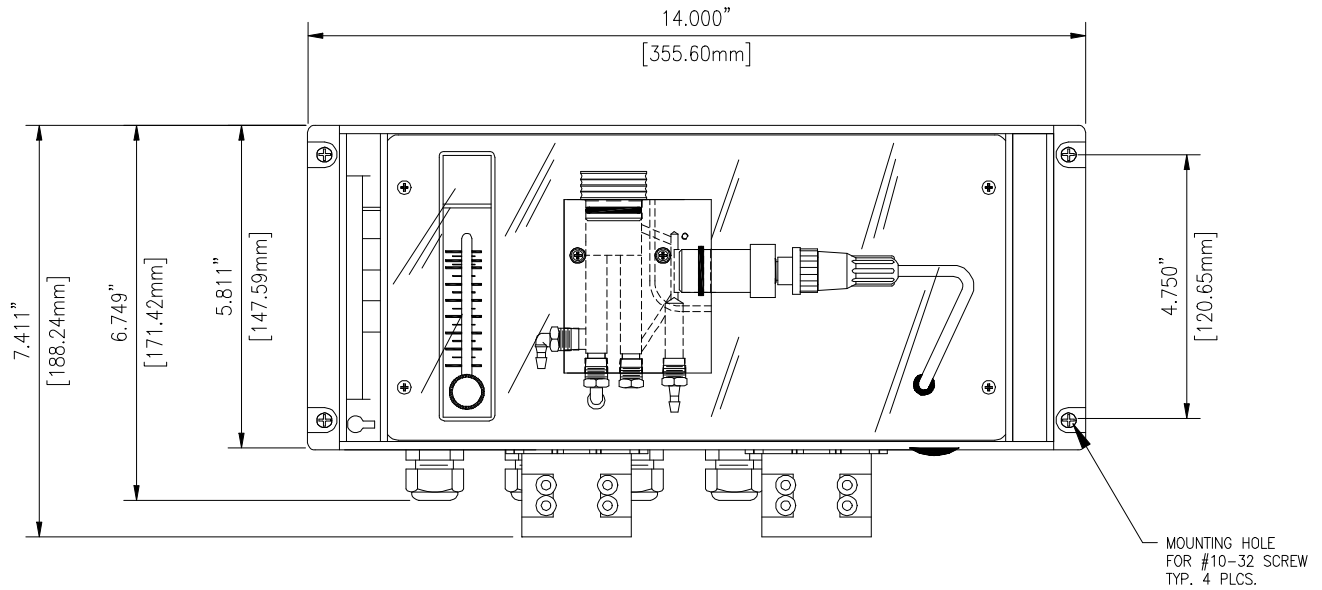


ATI-010

NOTES

- 1) Panel Mount Enclosure Material:
Aluminum, Black Anodized
- 2) Nema-4X Enclosure Material:
Base: Molded ABS, tan in color
Cover: Clear Lexan, tan in color
- 3) Nema-4X Rating:
NEMA rated types 4,4X
IEC 529 rated IP66
flammability rating UL94 HB

CHEMISTRY ENCLOSURE



ENCLOSURE MAT'L:

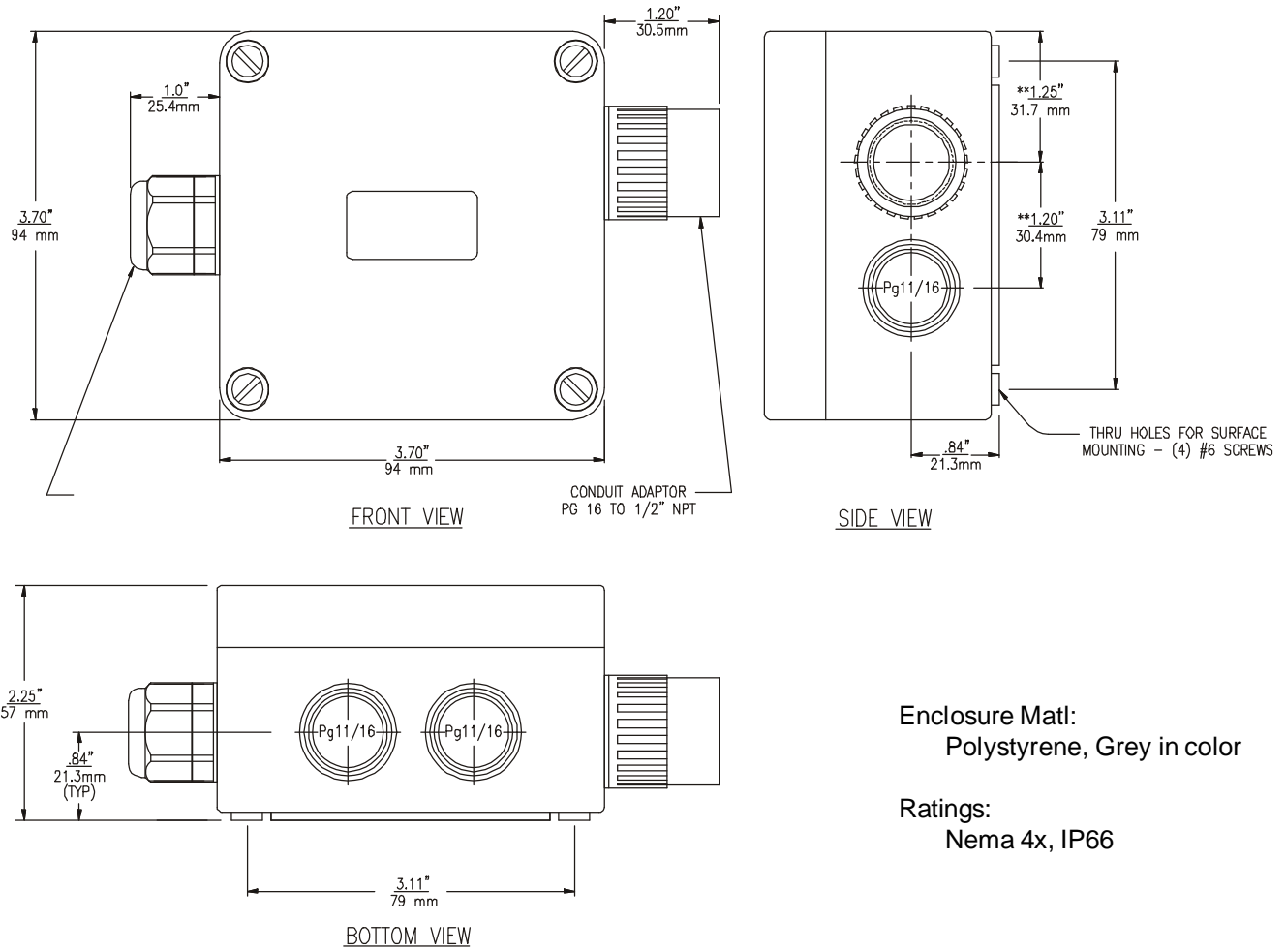
Base: Molded ABS, tan in color.
 Cover: Clear Lexan w/Dual Hinge

RATINGS:

Nema Rating 4, 4X
 IEC 529 Rated IP66
 Flammability Rating UL94 HB

ATI-0549

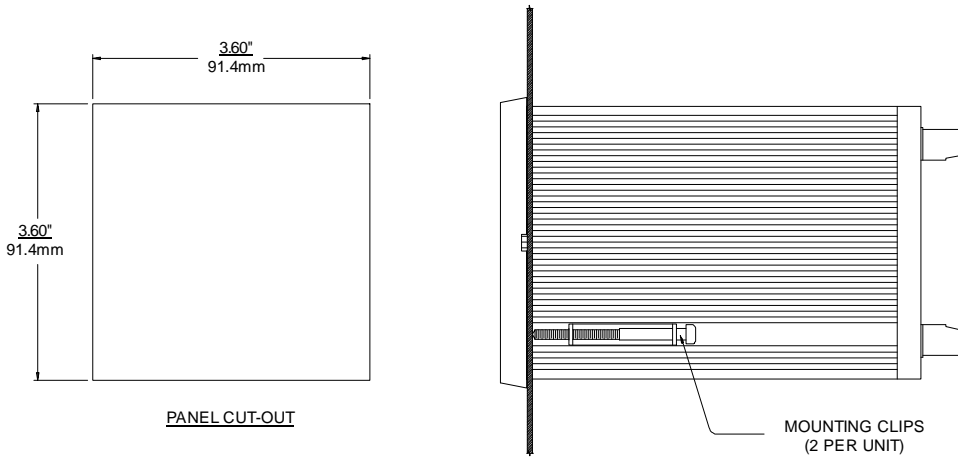
JUNCTION BOX - (00-0726)



Enclosure Matl:
Polystyrene, Grey in color

Ratings:
Nema 4x, IP66

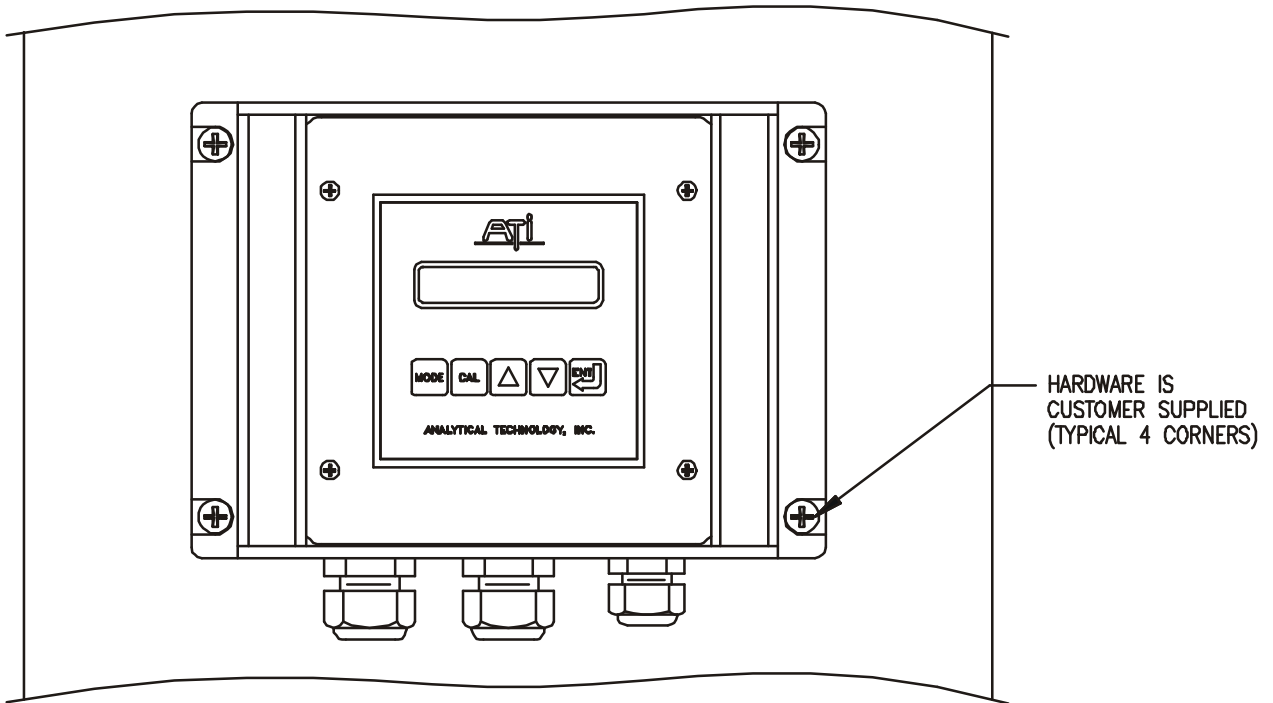
PANEL MOUNT



ATI-0125

- 1) Front of panel is NEMA 1, general purpose only.
- 2) Panel mounting clips supplied with monitor.

WALL MOUNT - NEMA-4X

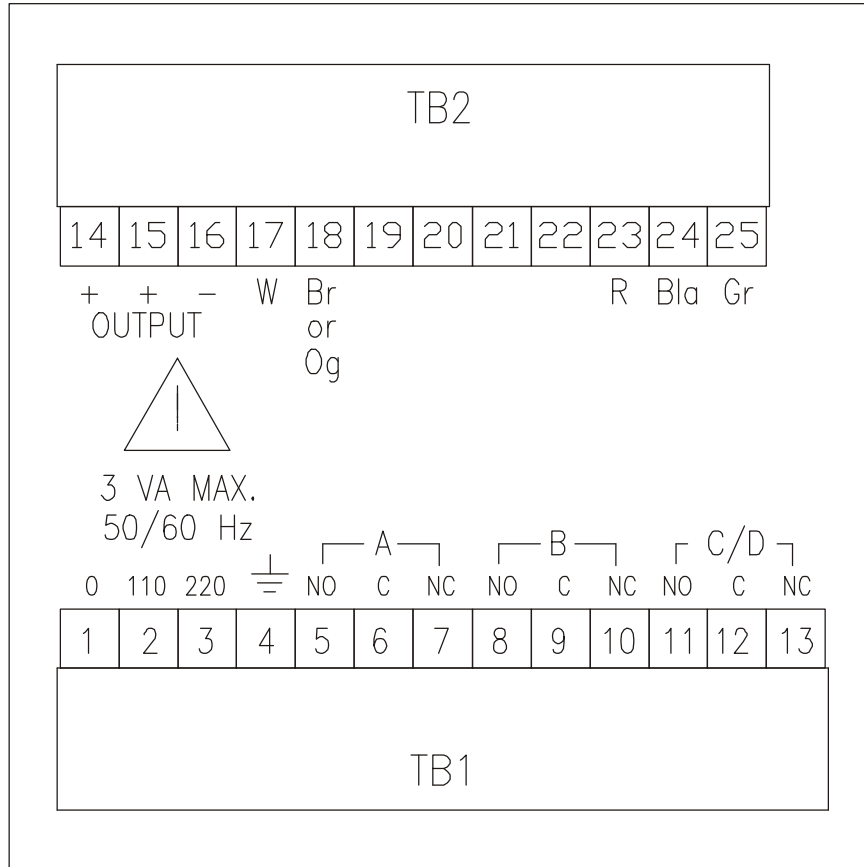


ATI-0126

- 1) Wall mounting requires customer supplied screws or bolts.

A15/79 TOTAL Cl₂ MONITOR

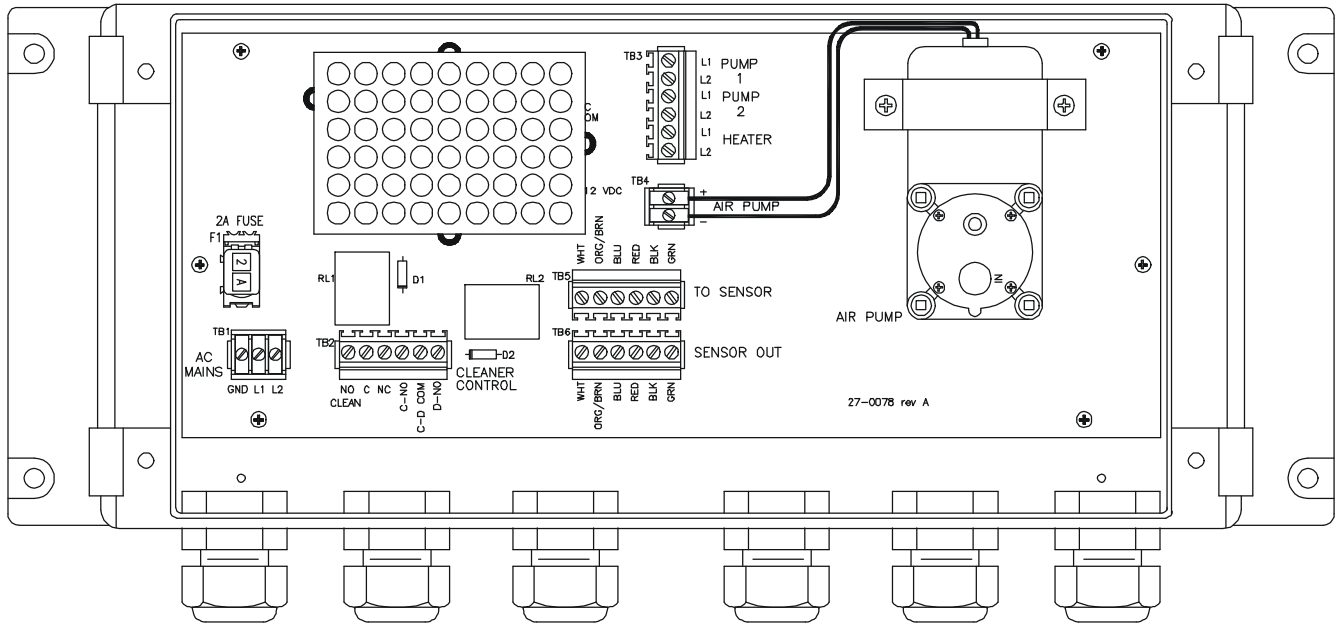
A15/79 TOTAL Cl₂ MONITOR
(BACK VIEW)



ATI-0242

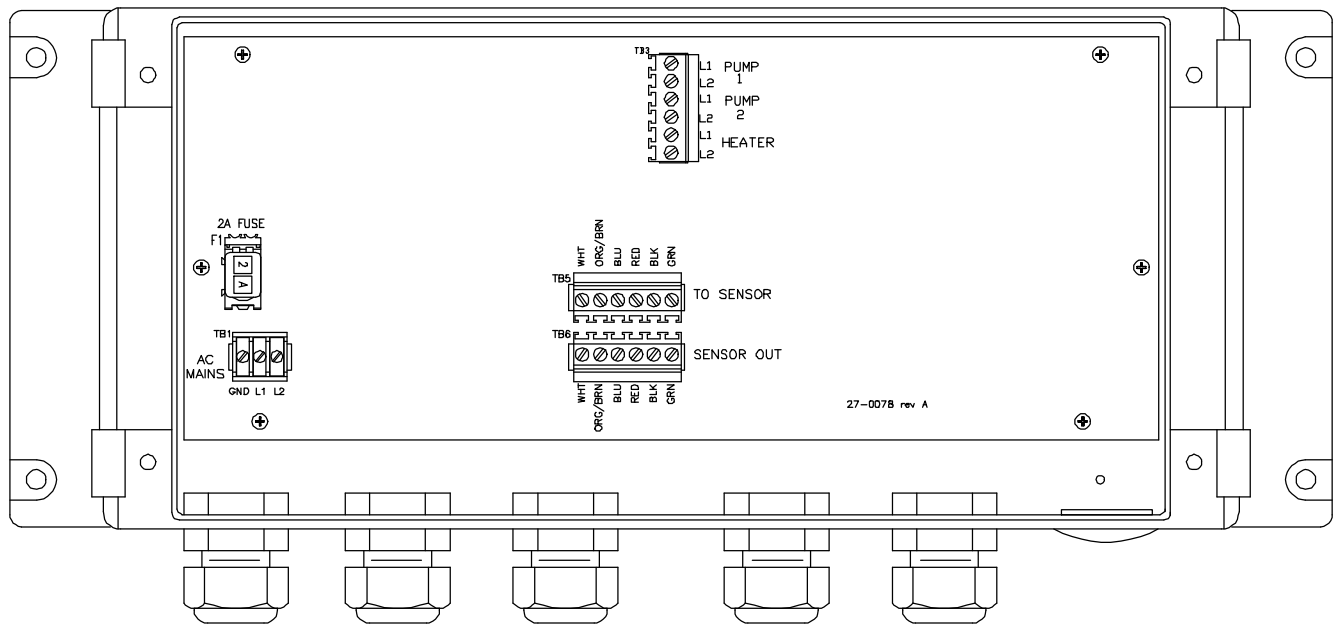
| | |
|-------------------------------------|------------------------------|
| 1: AC POWER - Neutral | 14: mA OUTPUT (+) |
| 2: AC POWER - 110V - HOT | 15: Unused |
| 3: AC POWER - 220V - HOT | 16: mA OUTPUT (-) |
| 4: AC - GROUND | 17: Sensor - White |
| 5: RELAY A - Normally Open | 18: Sensor - Brown or Orange |
| 6: RELAY A - Common | 19: Unused |
| 7: RELAY A - Normally Closed | 20: Unused |
| 8: RELAY B - Normally Open | 21: Unused |
| 9: RELAY B - Common | 22: Unused |
| 10: RELAY B - Normally Closed | 23: Sensor - Red |
| 11: CLEANER RELAY C - Normally Open | 24: Sensor - Black |
| 12: RELAY C/D - Common | 25: Sensor - Green |
| 13: ALARM RELAY D - Normally Closed | |

AC POWER WIRING CHEMISTRY ENCLOSURE (CUSTOMER CONNECTIONS) - STRIPPING STYLE



ATI-0550

AC POWER WIRING CHEMISTRY ENCLOSURE (CUSTOMER CONNECTIONS) - CONTACT STYLE



ATI-0580

MONITOR w/ JUNCTION BOX WIRING

