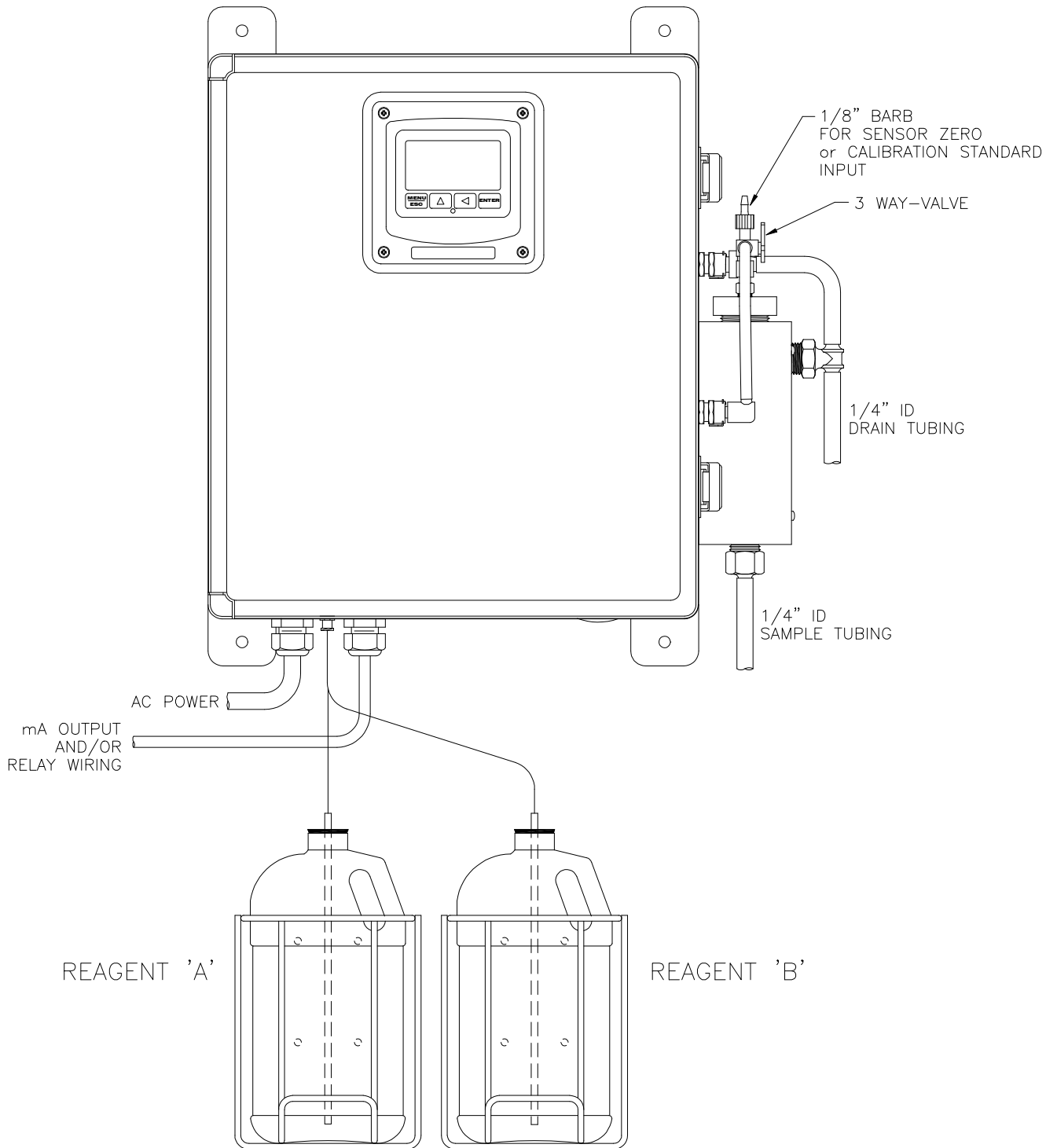
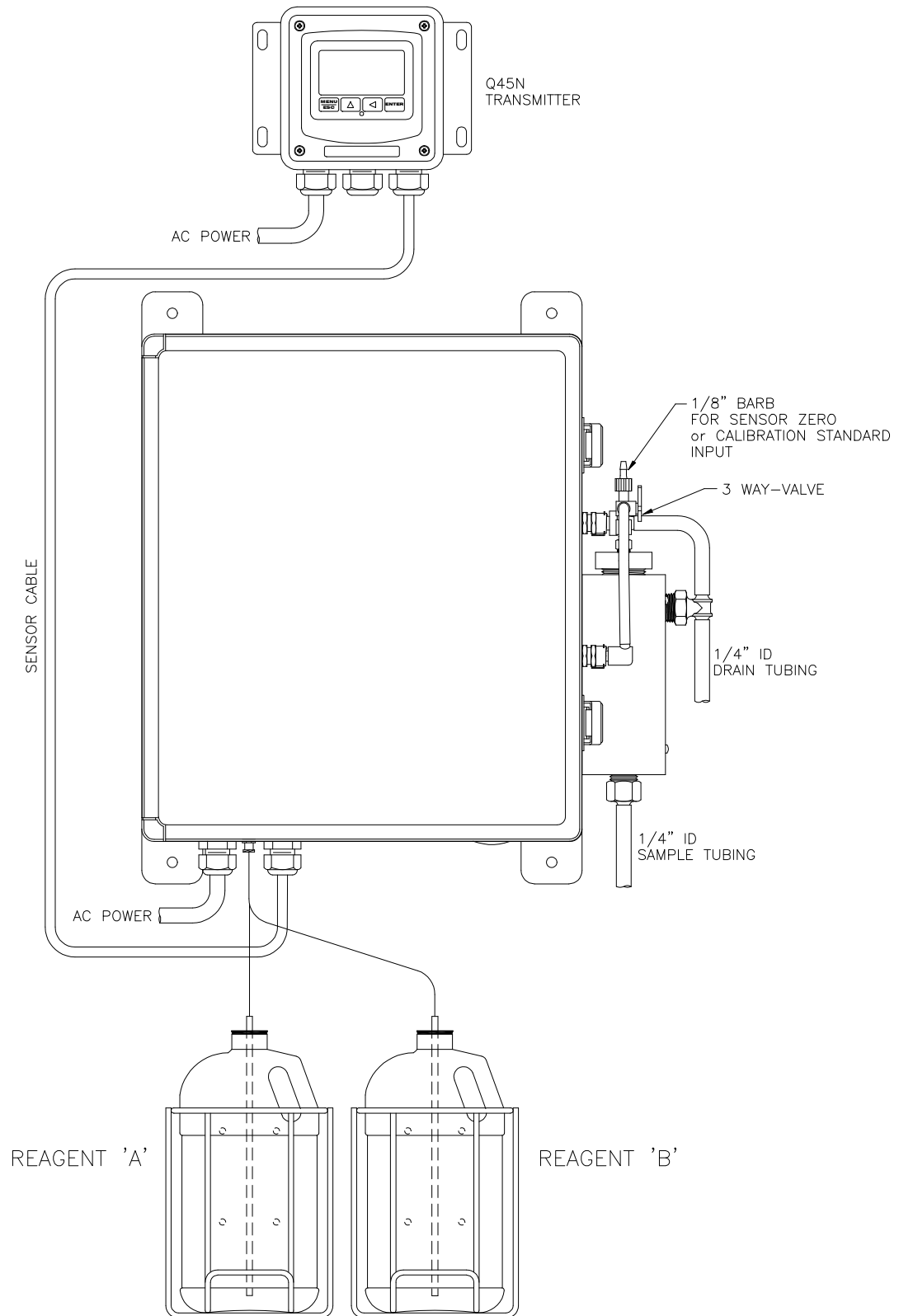


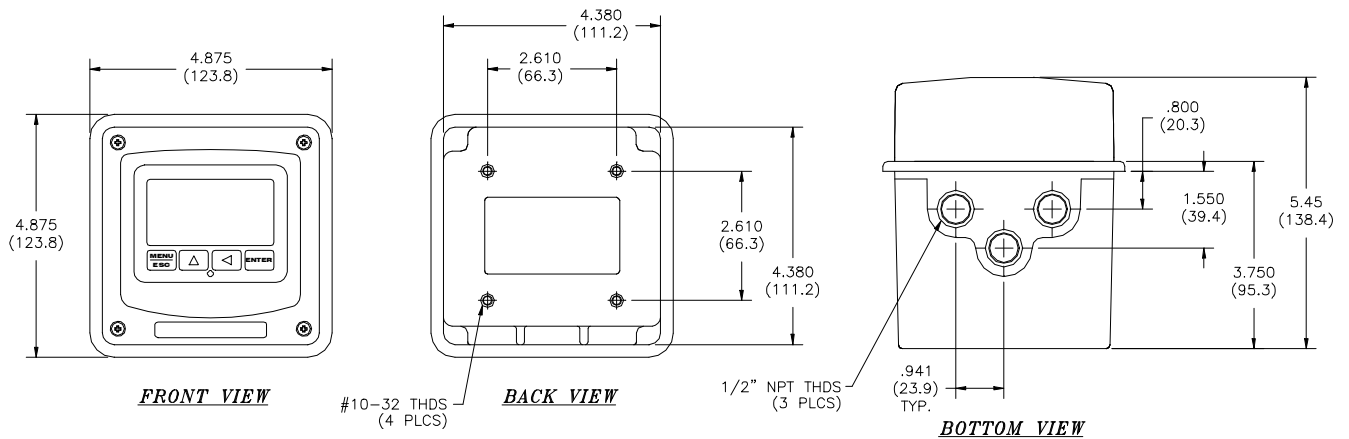
INTEGRAL SYSTEM DIAGRAM



REMOTE SYSTEM DIAGRAM



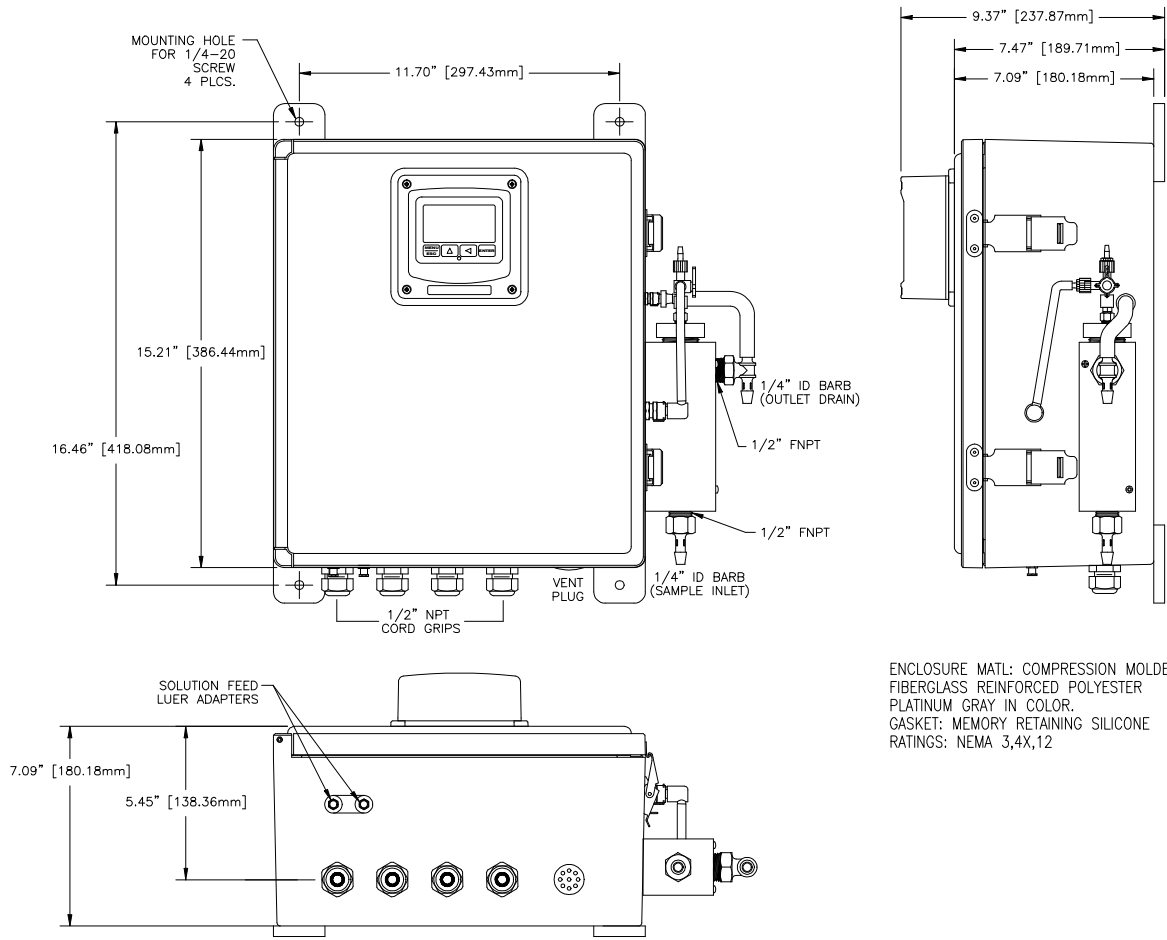
REMOTE TRANSMITTER DIMENSIONAL



Material: Polycarbonate
 Ratings: Nema 4X (IP-66)
 V-0 Fire Retardant

ATI-0706

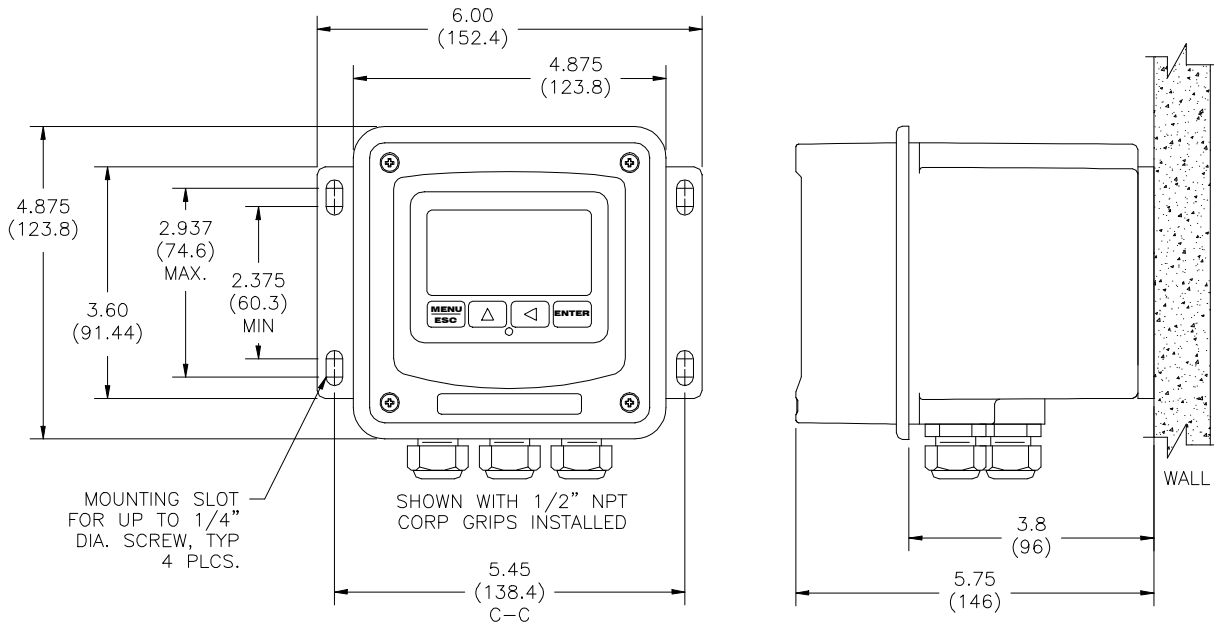
CHEMISTRY MODULE DIMENSIONAL



ENCLOSURE MATL: COMPRESSION MOLDED FIBERGLASS REINFORCED POLYESTER PLATINUM GRAY IN COLOR.
 GASKET: MEMORY RETAINING SILICONE
 RATINGS: NEMA 3,4X,12

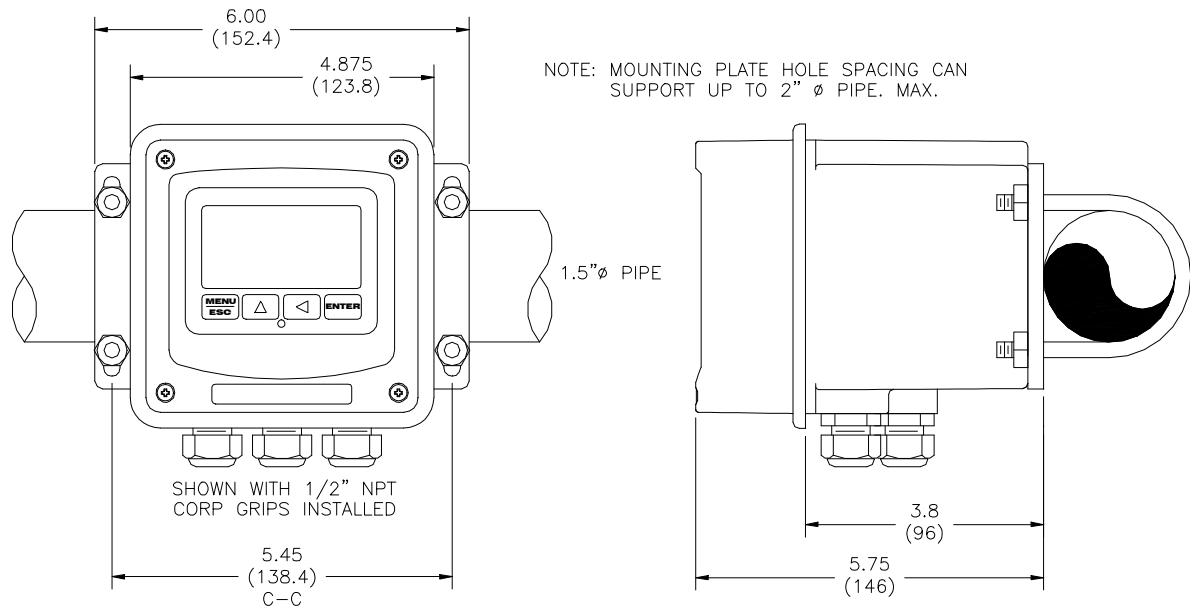
ATI-0794

WALL MOUNTING



ATI-0709

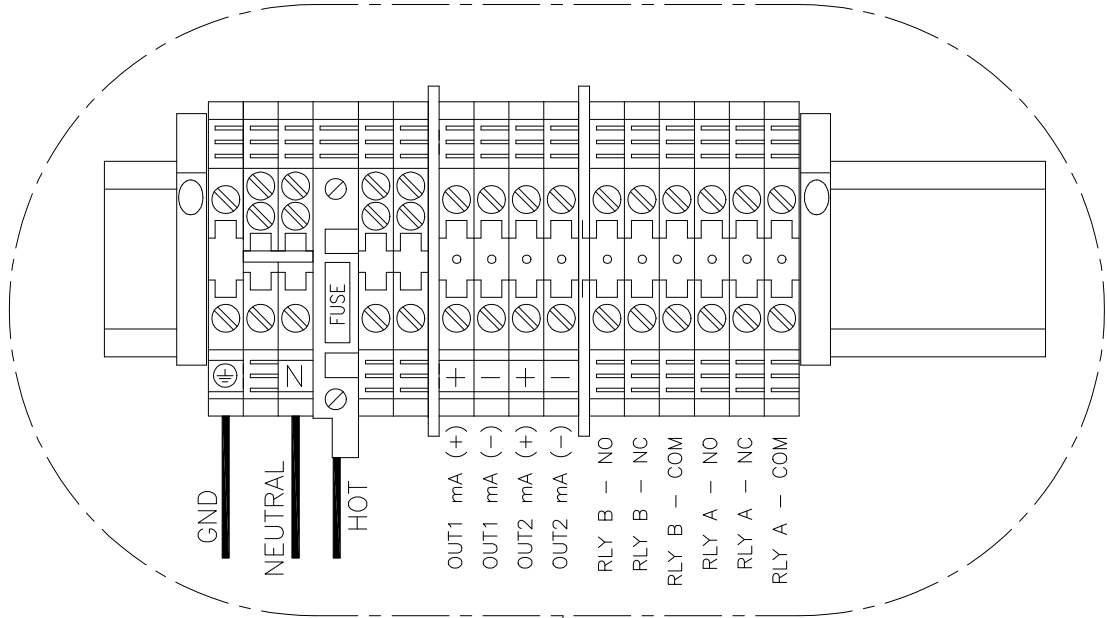
PIPE MOUNTING



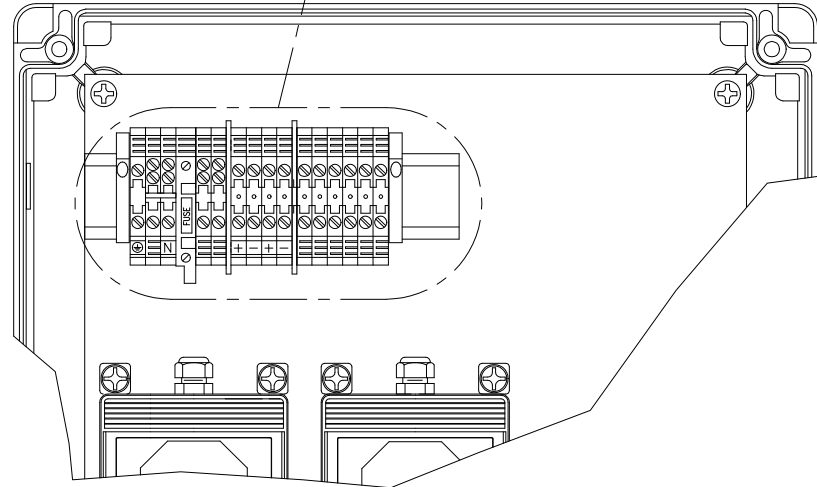
NOTE: PLATE MAY BE TURNED 90° FOR VERTICAL PIPE MOUNTING

ATI-0710

INTEGRAL ASSEMBLY - CUSTOMER CONNECTIONS

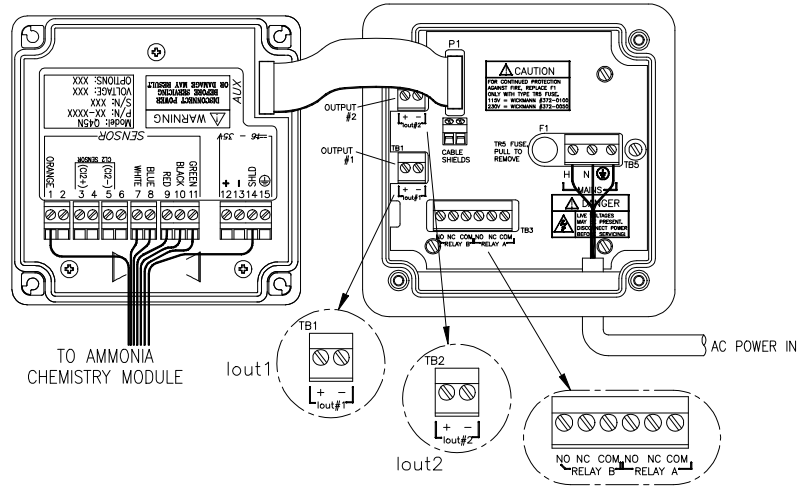


CHEMISTRY MODULE
LID - REMOVED TO
SHOWN WIRING CONNECTIONS



ATI-0801

REMOTE ASSEMBLY - CUSTOMER CONNECTIONS



CHEMISTRY MODULE LID - REMOVED TO

