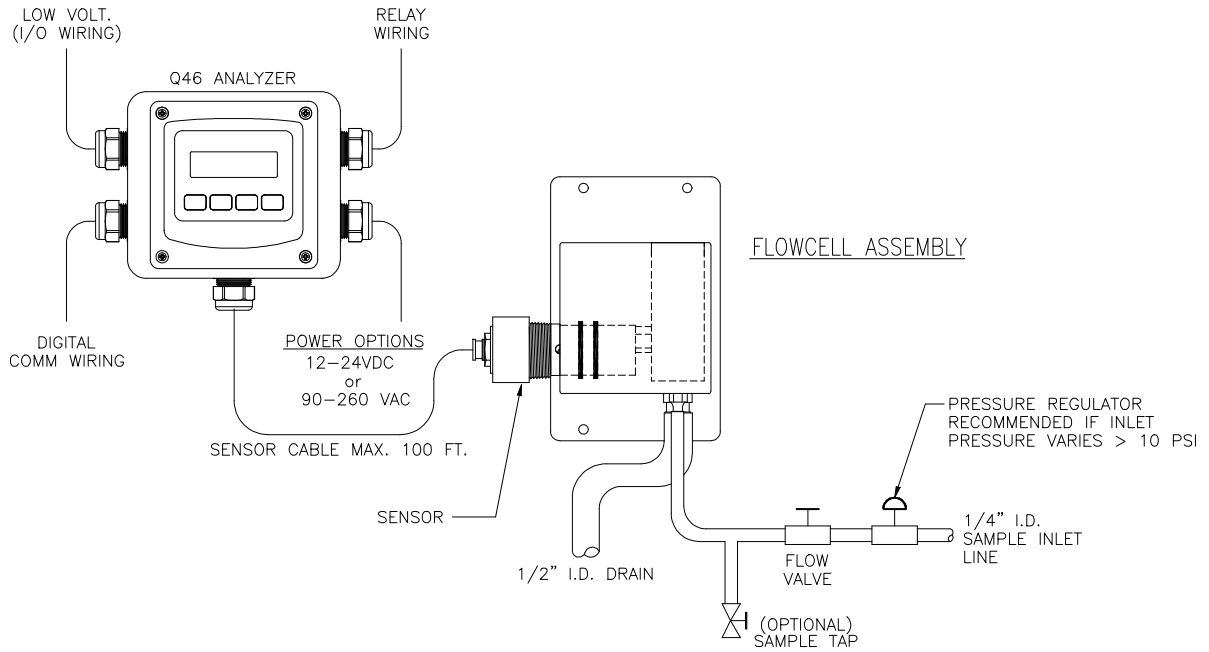
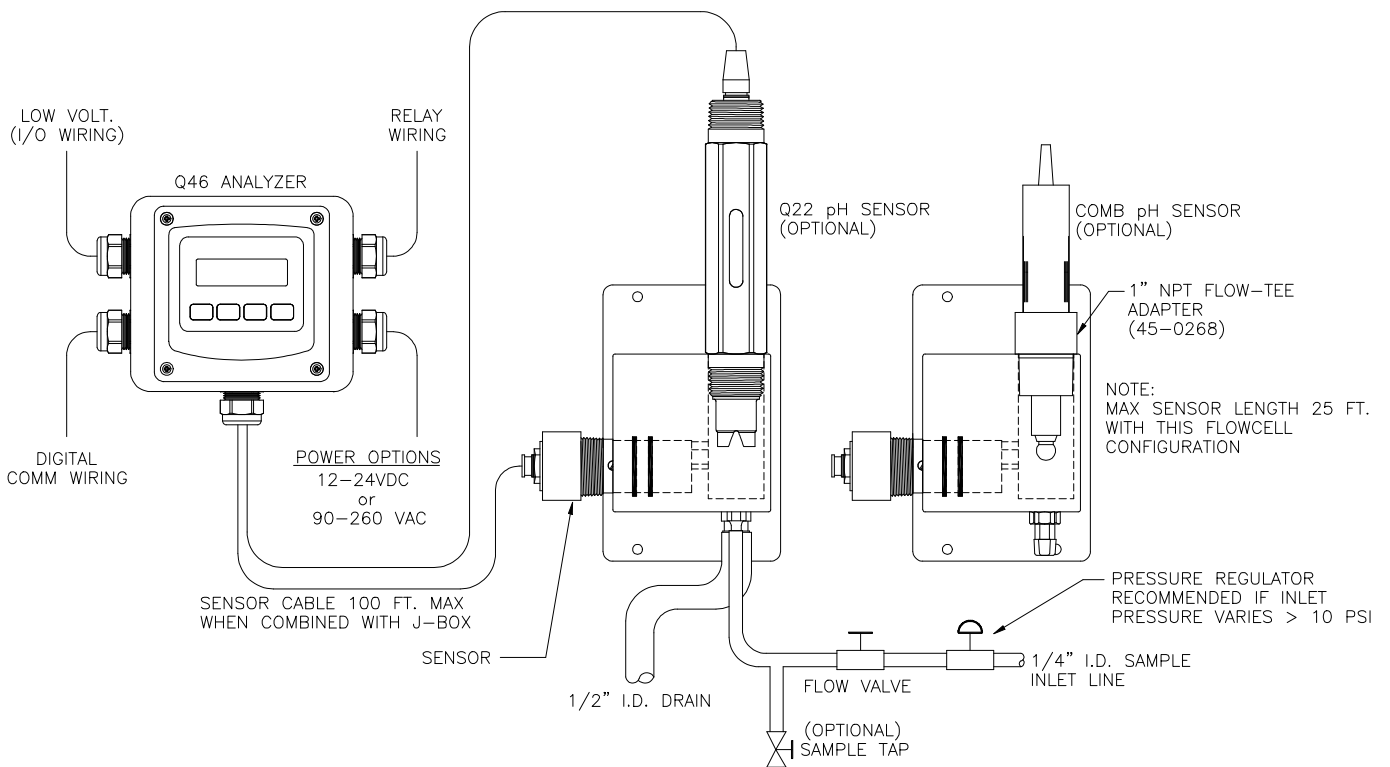


STANDARD SYSTEM DIAGRAM



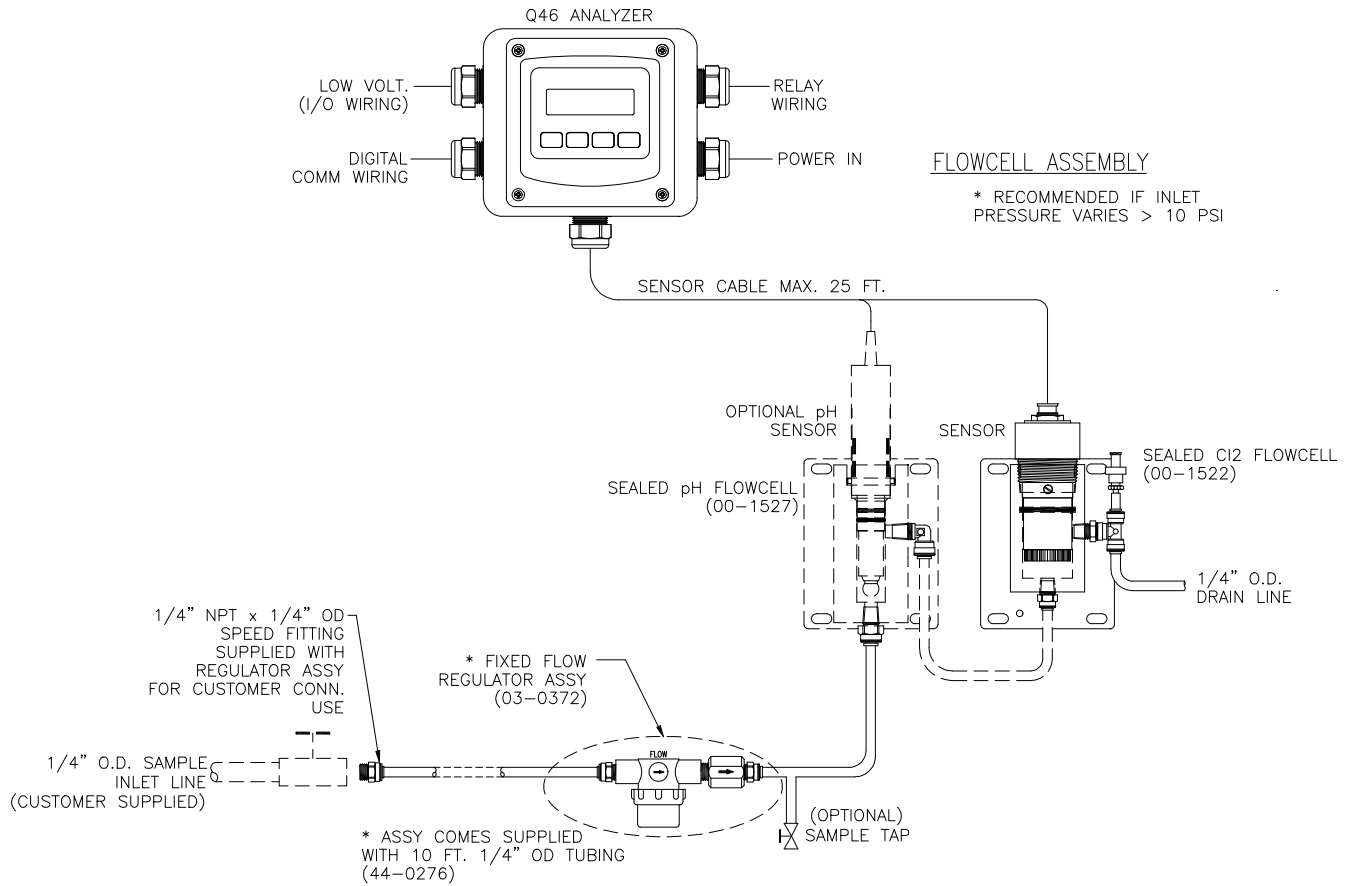
ATI-0922

SYSTEM DIAGRAM w/OPTIONAL pH SENSOR



ATI-0923

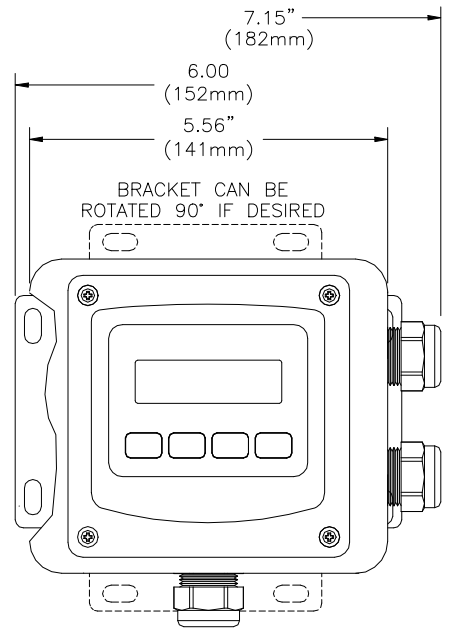
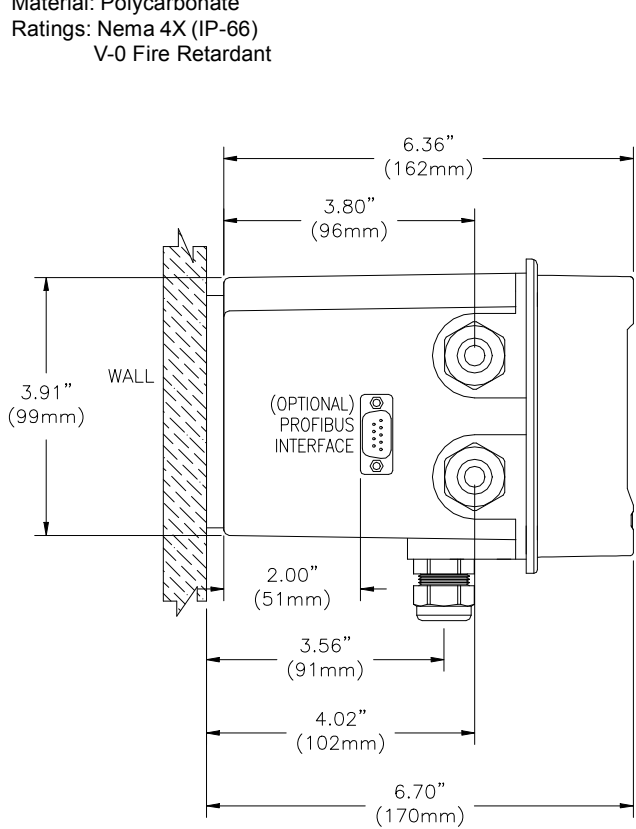
SYSTEM DIAGRAM w/SEALED FLOWCELLS



ATI-0924

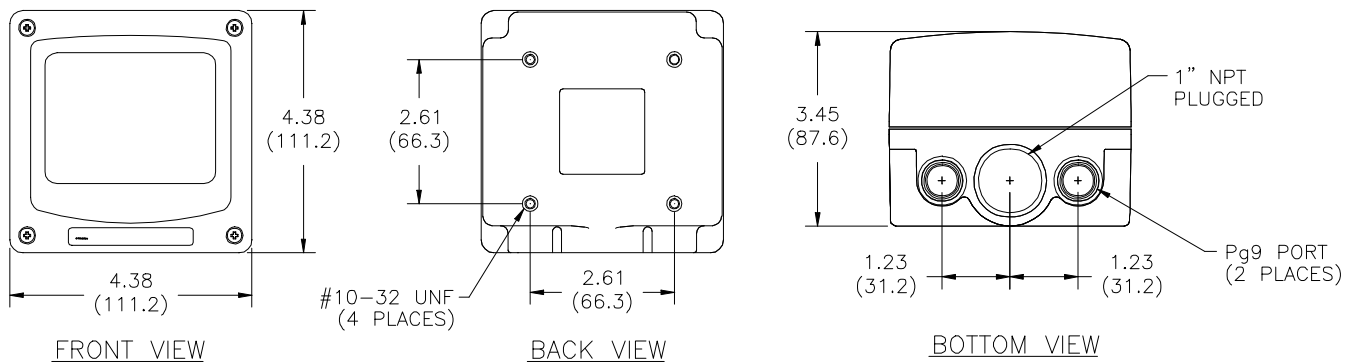
ANALYZER DIMENSIONS (WALL MOUNT SHOWN)

Material: Polycarbonate
 Ratings: Nema 4X (IP-66)
 V-0 Fire Retardant



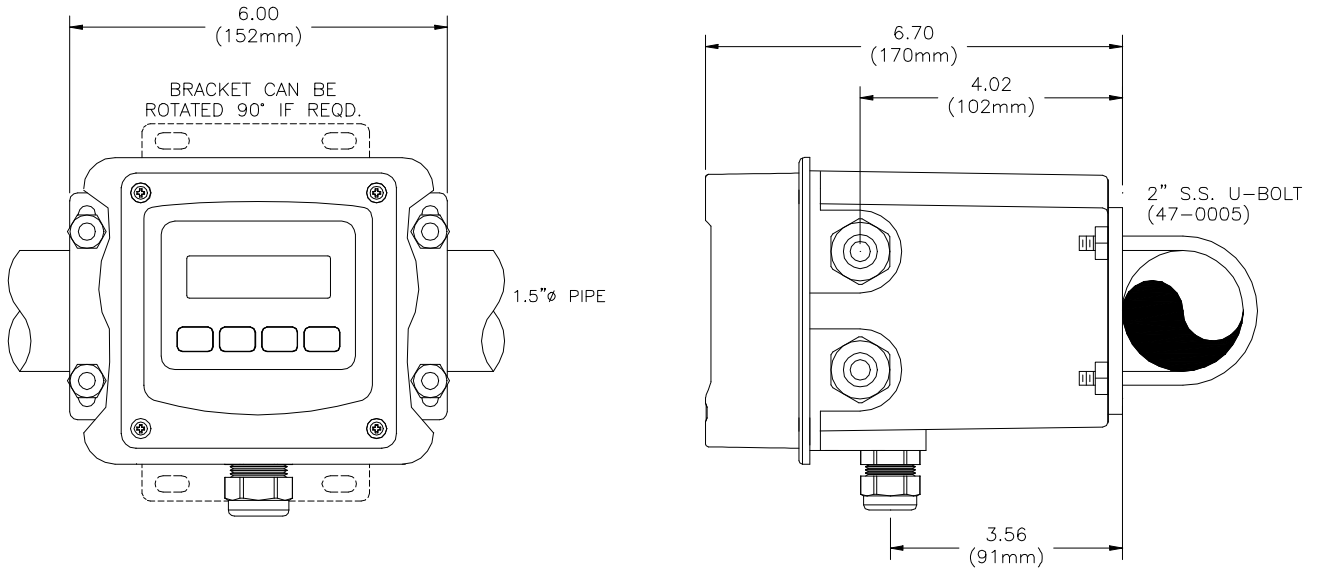
ATI-0926

JUNCTION BOX



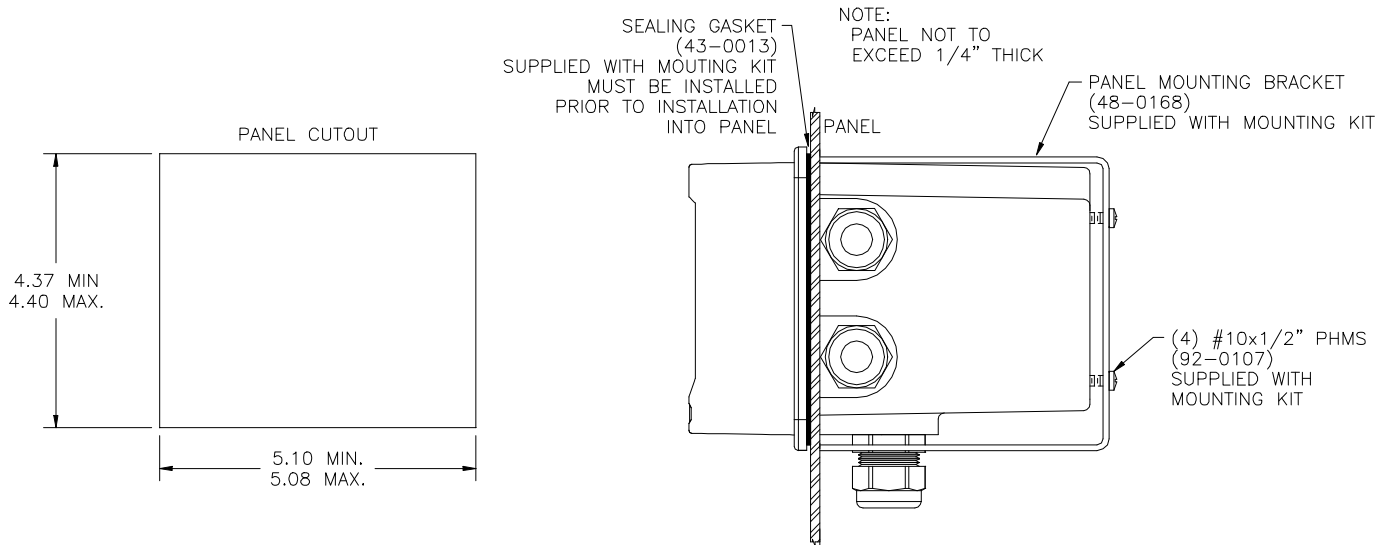
ATI-0655

PIPE MOUNTING



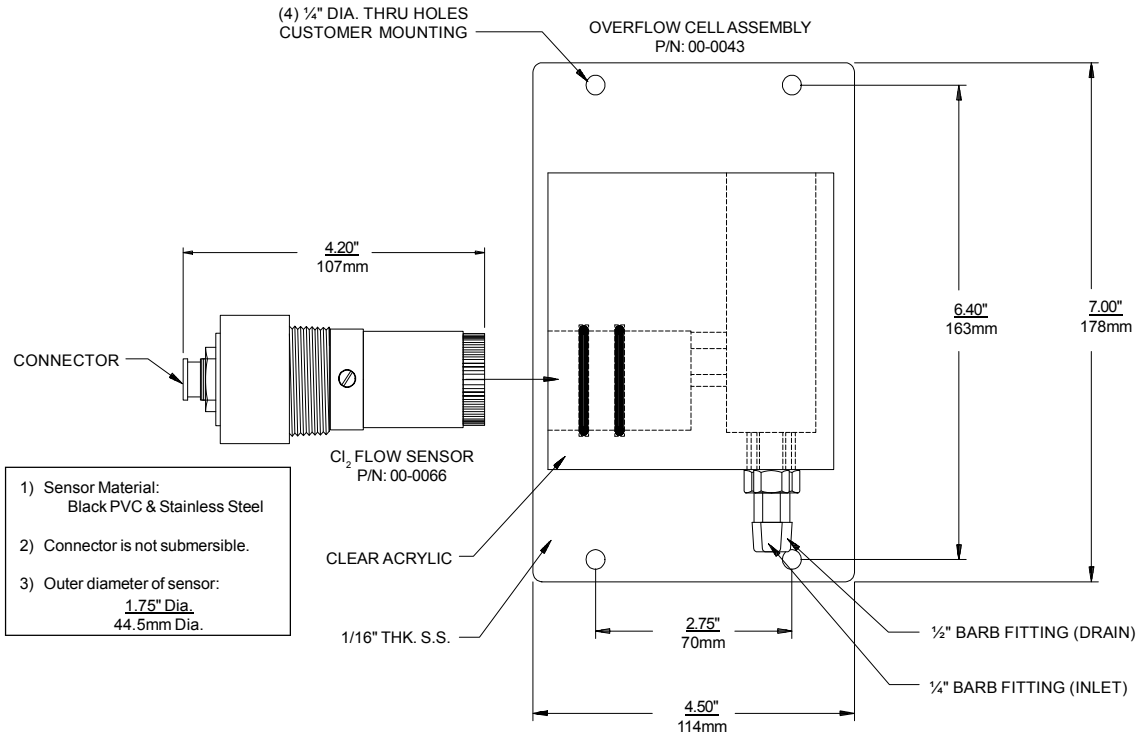
ATI-0927

PANEL MOUNTING DIAGRAM



ATI-0928

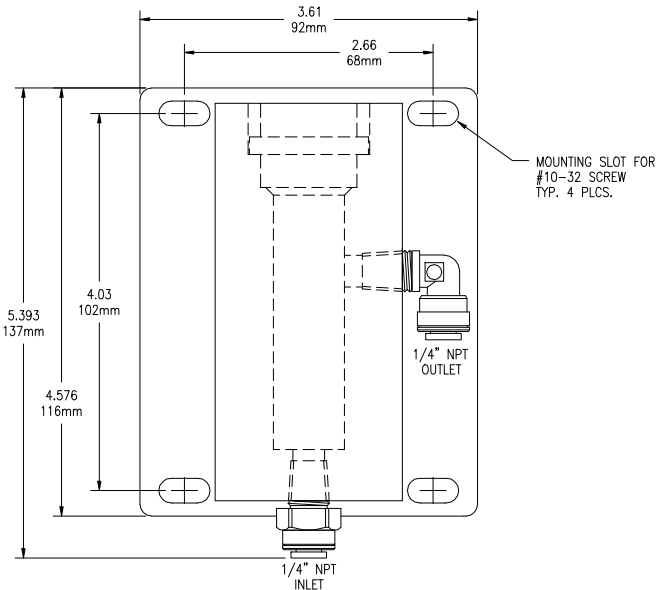
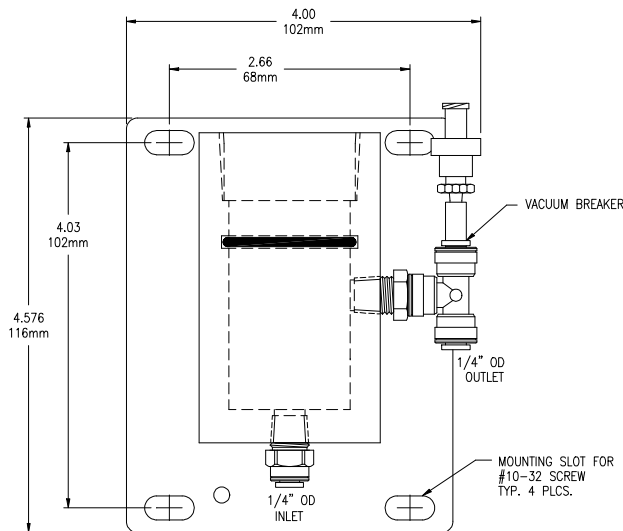
FLOW SENSOR DIMENSIONS & OVERFLOW CELL INSTALLATION



ATI-0196

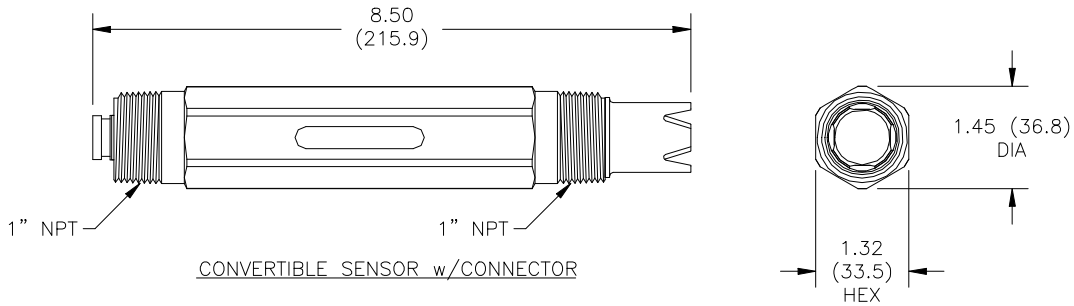
**Cl₂ SEALED FLOWCELL ASSEMBLY
(00-1522)**

**pH SEALED FLOWCELL ASSEMBLY
(00-1527)**

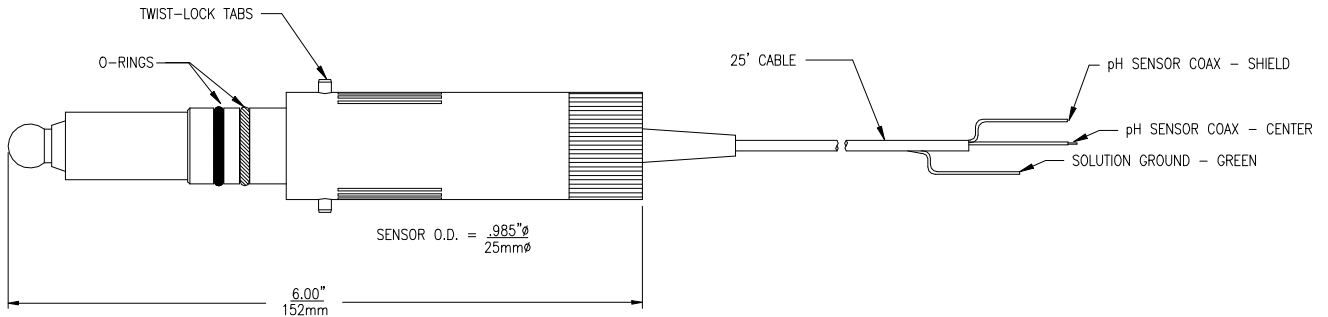


Material: Acrylic
Mounting Plate: PVC

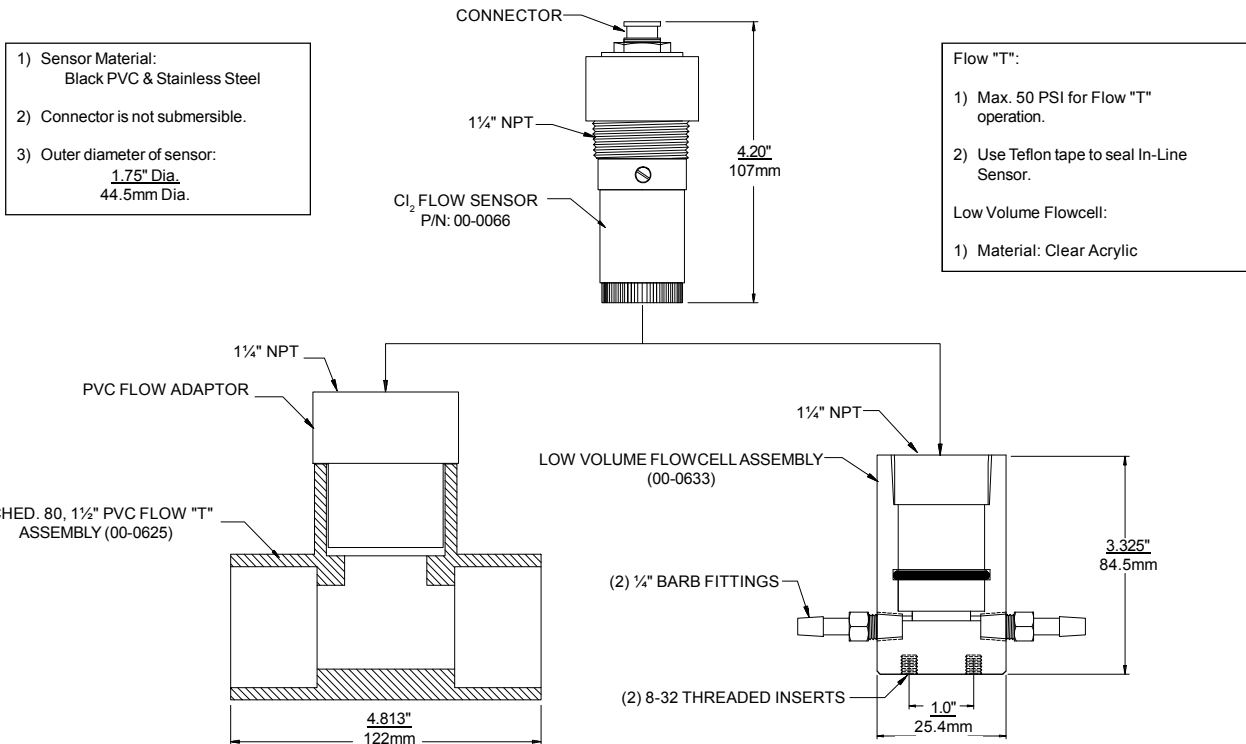
(07-0096) pH SENSOR DIMENSIONS

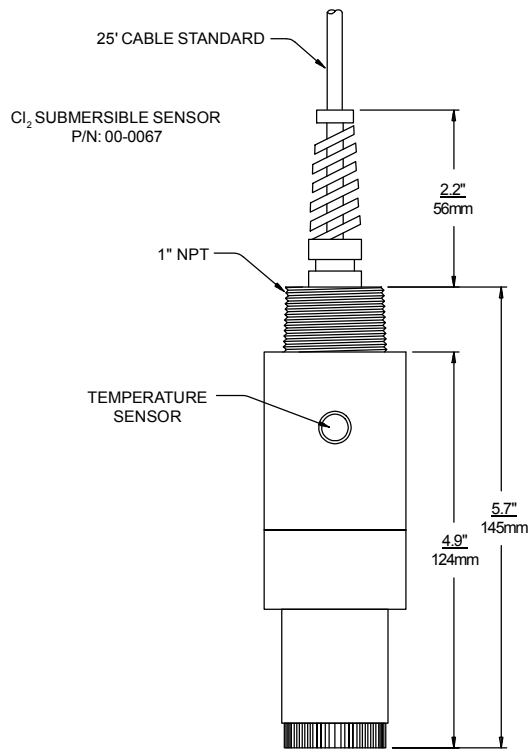


(63-0101) pH SENSOR DIMENSIONS

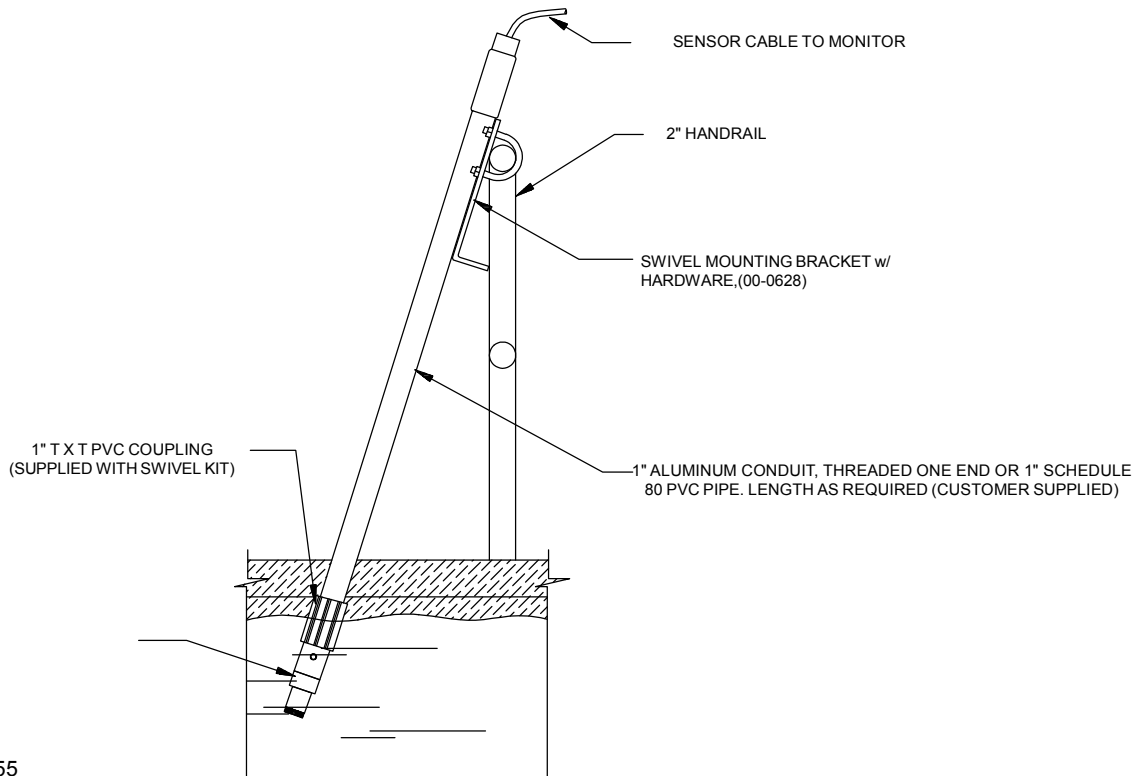


SPECIAL APPLICATION FLOWCELLS (CONSULT FACTORY)



SUBMERSIBLE SENSOR DIMENSIONS

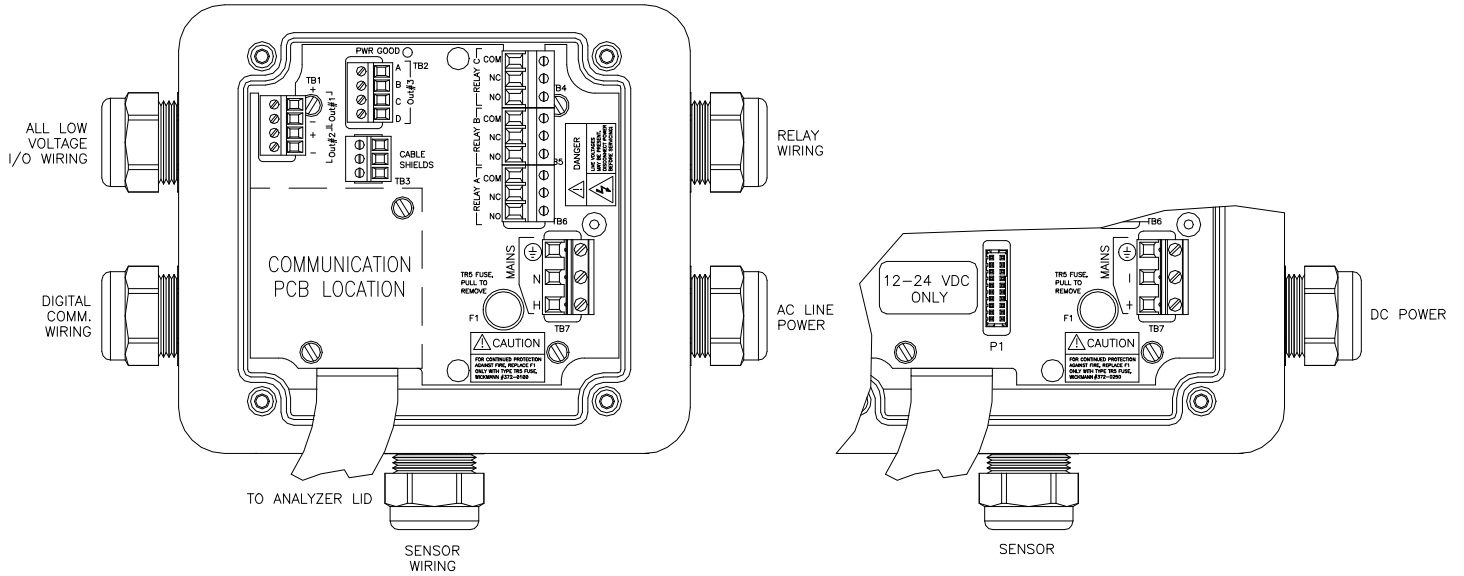
ATI-004

SUBMERSIBLE SENSOR INSTALLATION

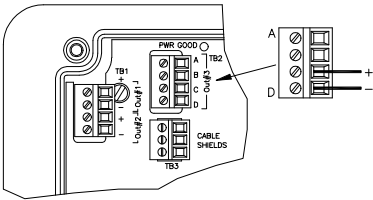
ATI-0155

POWER, RELAY, AND OUTPUT CONNECTIONS

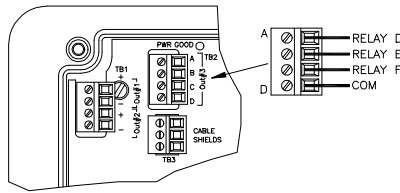
ATI-0930,
0932, 0933, 0989



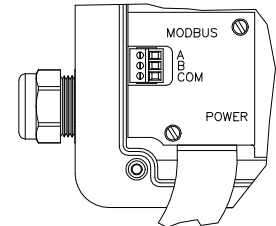
Optional Analog Output Wiring



Optional Relay Board Wiring (30V Max.)

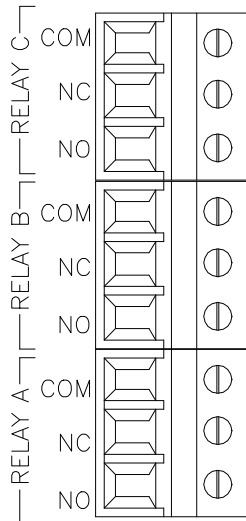


MODBUS Communication

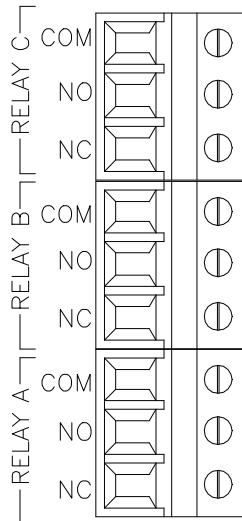


RELAY WIRING TB4,5,6 DETAIL

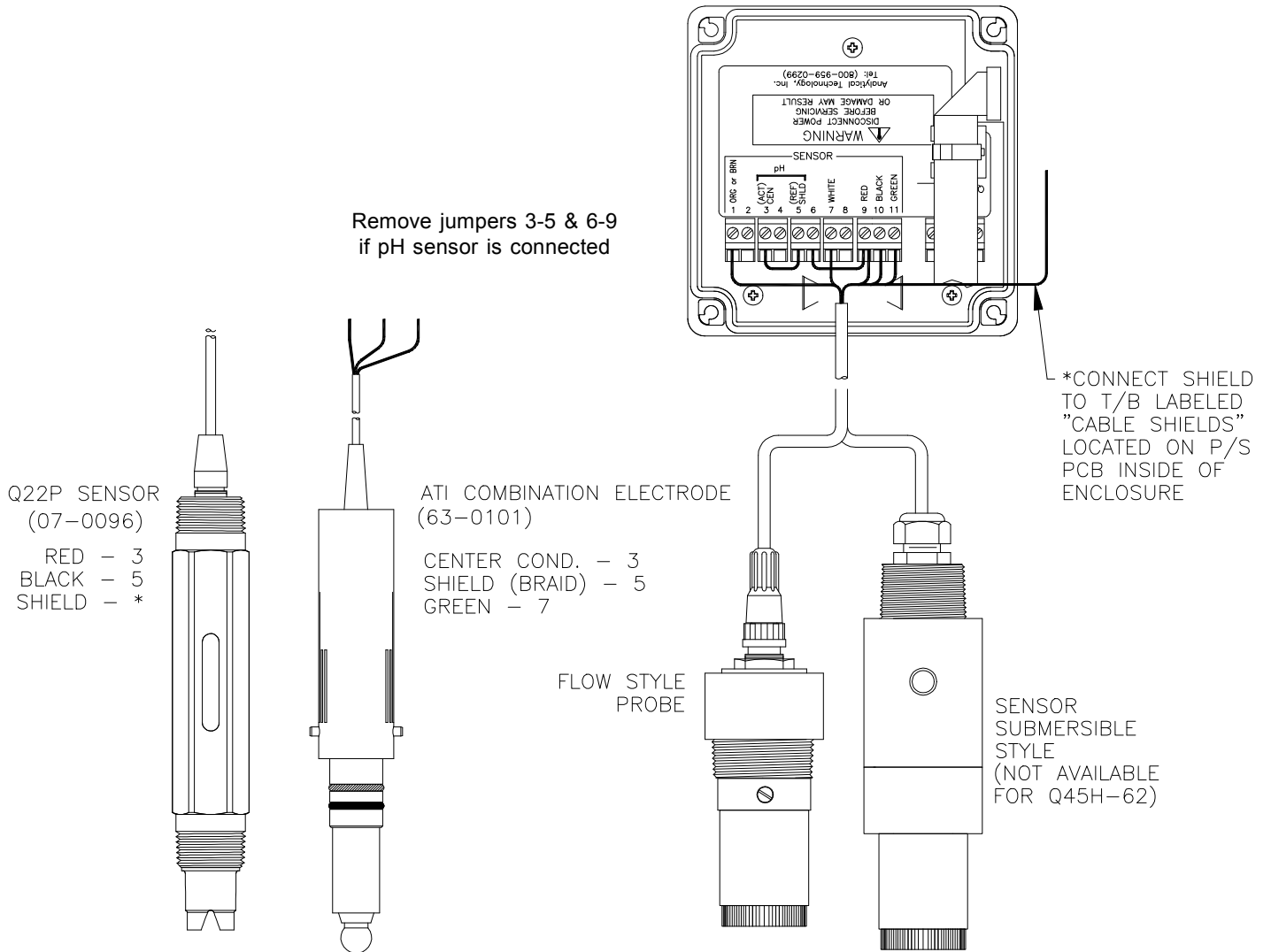
FACTORY DEFAULT (NORMAL MODE)



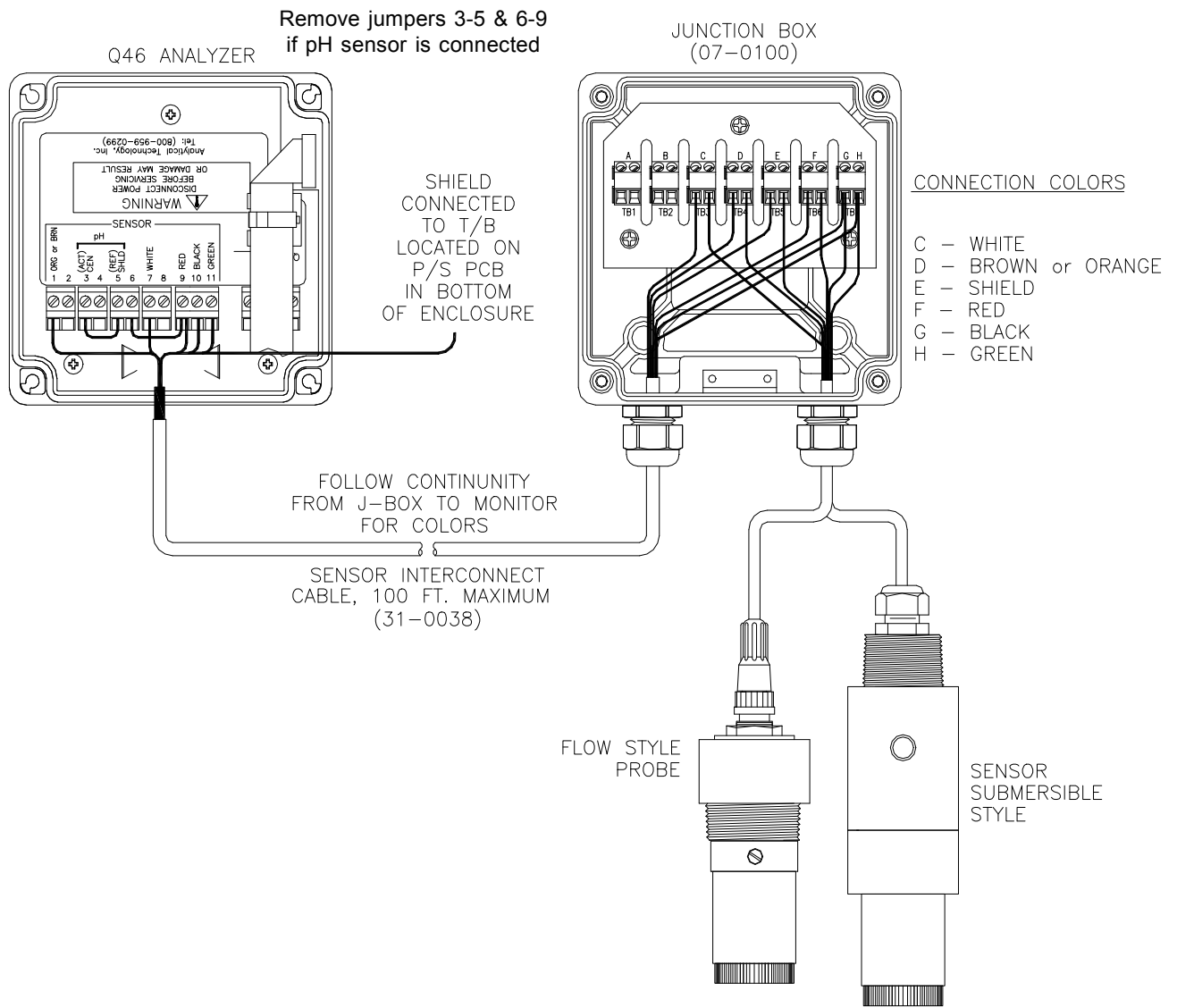
(FAILSAFE MODE)



ELECTRICAL CONNECTIONS



SENSOR CONNECTIONS - REMOTE JUNCTION BOX



ATI-0934

SENSOR CONNECTIONS - Cl₂/pH WITH JUNCTION BOX

(63-0101) Bayonet Style pH Probe CANNOT be used in a remote application

