

RC265-SR

Pneumatic Actuator

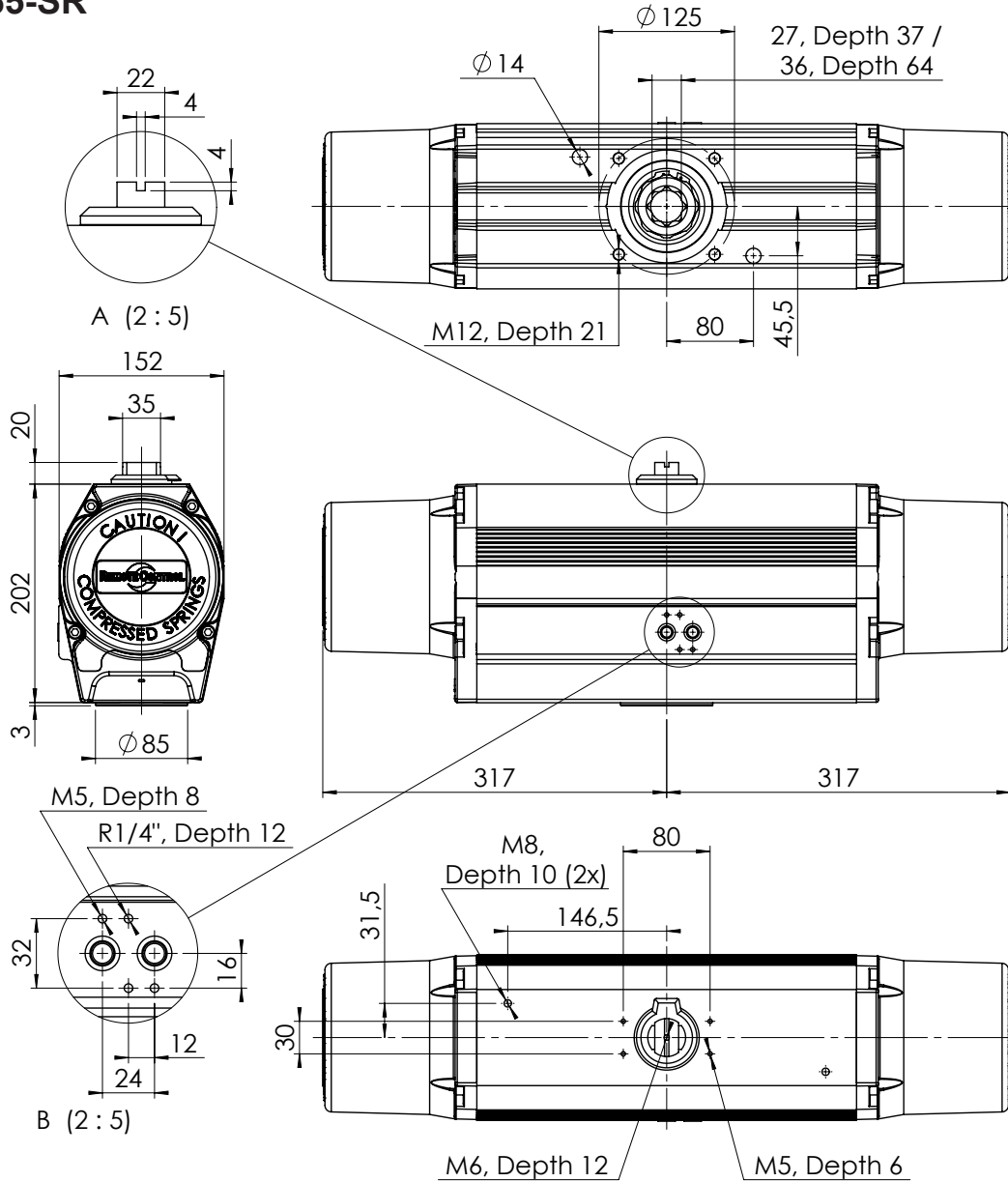
Technical Data



Technical Data

- External adjustable limit stops in open and closed position, $\pm 4^\circ$
- No connection to the pressurized cylinder, therefore no limitation as to service availability when adjusting
- Torques at 6 bar/87 psi:
Air opens 721 Nm
Spring closes 460 Nm
- Cylinder \varnothing 140 mm
- Seal materials for high efficiency and minimal hysteresis
- Compact design of spring houses, for minimized air consumption
- Valve interface F12/27, according to ISO 5211/DIN3337
- Wide air channels for short operation times
- Chrome-plated and painted spring houses for additional corrosion protection
- Easily changeable cam for different turning angles (accessible without dismantling the actuator)

RC265-SR



Ref 002404 A

Torque Nm

| | Air opens → | | | Spring closes ← | | |
|-----------------------|-------------|-----|-----|-----------------|-----|-----|
| | 0° | 60° | 90° | 90° | 30° | 0° |
| 2,8 bar 40 psi | 340 | 132 | 175 | 301 | 153 | 211 |
| 4,1 bar/60 psi | 490 | 187 | 246 | 452 | 230 | 317 |
| 5,5 bar/80 psi | 660 | 253 | 334 | 602 | 307 | 423 |
| 6 bar/87 psi | 721 | 277 | 366 | 655 | 334 | 460 |
| 7 bar/100 psi | 850 | 329 | 438 | 753 | 383 | 529 |

AIR CONSUMPTION
36 dm³
Free air at 6 bar air pressure

OPERATION TIME
Anti-clockwise and clockwise rotation
<1,5 sec
At 6 bar air pressure

Max. working pressure 8 bar
Weight: 26,6 kg

