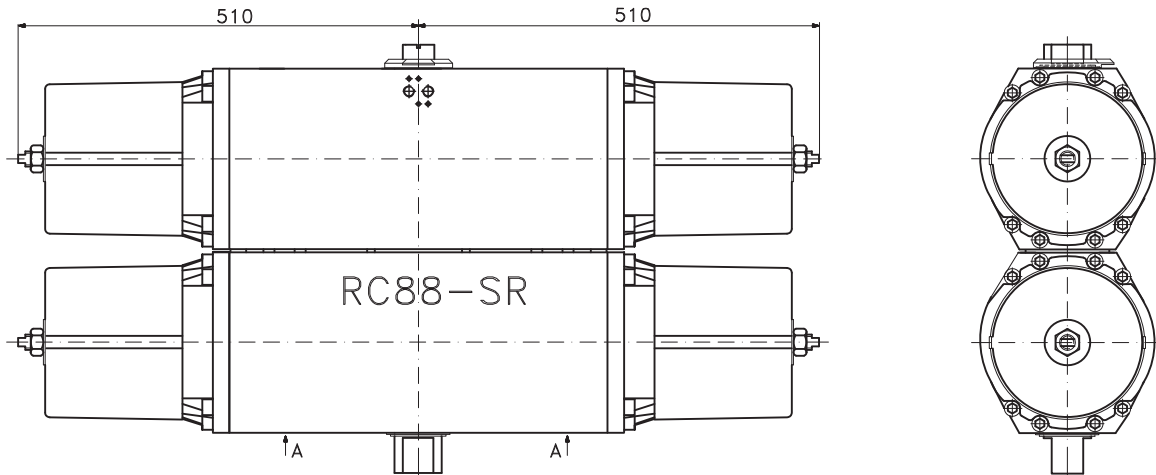


RC88-SR

MEASUREMENTS



Type	Weight	Torque at 6 bar (Nm)		
		↔		
		0°	50°	90°
RC88-DA	79 kg	7600	3800	5480

Type	Weight	Torque at 6 bar (Nm)					
		Air →			Spring →		
		0°	60°	90°	90°	30°	0°
RC88-SR	134 kg	4160	1800	2220	3680	1800	2520

Air consumption, free air at 6 bar, dm ³	
RC88-DA	Anticlockwise rotation: 132. Clockwise rotation: 134
RC88-SR	132

Operation time at 6 bar, Sec.	
RC88-DA	RC88-SR
<10	<10

Max pressure:

RC88-DA: 7 bar / 100 psi

RC88-SR: 6 bar / 87 psi

For further information, see instruction No. 706

We reserve the right to changes without notice.



Remote Control
P O Box 80
Kontrollvägen 15
SE-791 22 Falun
Sweden
Tel +46 (0)23-587 00
Fax +46 (0)23-587 45
www.remotecontrol.se
info@remotecontrol.se



Remote Control
Gutenbergstr. 22
DE-41564 Kaarst-Büttgen
Germany
Tel +49 (0)2131-795 760
Fax +49 (0)2131-795 7615
www.remotecontrol.de
info@remotecontrol.de



Remote Control
Unit 40, Trent Valley Works,
Station Road, Rugeley
Staffordshire WS15 3HB
England
Tel +44 (0)1889-576 888
Fax +44 (0)1889-577 676
www.remotecontrol.co.uk
info@remotecontrol.co.uk



Remote Control
No. 9, Kaki Bukit Road 1
#03-03, Eunos Technolink
Singapore 415938
Tel +65 6848 7150
Fax +65 6746 5815
www.remotecontrol.com.sg
info@remotecontrol.com.sg



Remote Control
PO Box 355
77 Circuit Drive
North Kingstown, RI 02852
USA
Tel +1 (401) 294-1400
Fax +1 (401) 294-3388
www.rciactuators.com
info@remotecontrol.us