



Positive Displacement Flow Meter

900 Series Positive Displacement Water Flood Meters

DESCRIPTION

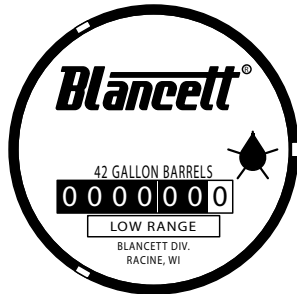
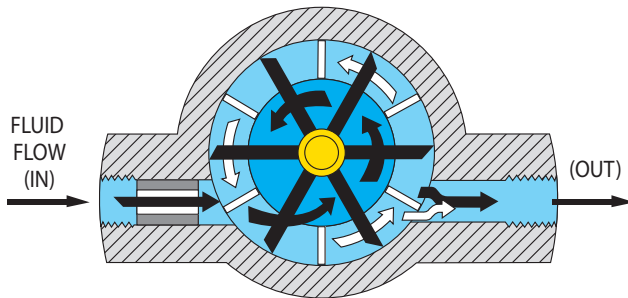
Blancett 900 Series positive displacement flow meters are designed specifically for the measurement of floodwater line flow in secondary oil recovery operations. Using a time-proven rotary vane mechanism, the 900 Series flow meters provide reliable long-term measurement and totalization with minimum attention and maintenance.

FEATURES

- Interchangeable inlet inserts with three different sized orifices
- Pre-calibrated orifices for specific low, medium, and high meter flow ranges
- Vaned impeller operates at pressures up to 5000 psi
- Two end connections: 2 in. NPT (male) and 1 in. NPT (female)

OPERATION

Fluid enters the inlet port and passes through the pre-selected orifice into the cylindrical measuring chamber. The flowing fluid is separated into two streams, rotating a vaned impeller at a speed directly proportional to flow rate. The impeller is connected to a meter register through a magnetic drive assembly. Each impeller rotation is mechanically tabulated and displayed by the register atop the meter.



SPECIFICATIONS

Accuracy	±2% of reading	
*Flow Ranges	Low	68...172 bpd (2...5 gpm)
	Mid	172...1543 bpd (5...45 gpm)
	High	1543...3086 bpd (45...90 gpm)
Operating Temperature	30...200° F (-1...93° C)	
Pressure rating	5000 psi maximum	
End Connections	1 in. NPT (female), 2 in. NPT (male)	
Materials of Construction	Stainless steel body	
	High tech polymers for high chemical/abrasion resistance	

*Barrels per day is standard

900 SERIES REPAIR KITS

Repair kits are available for field or factory service. The 900 Series repair kits contain a magnetic drive assembly, an impeller assembly, two O-rings, two gears, and an inlet insert. A decal is added to kits ordered with a register. See "Repair Kits" on page 2 for further details.



PART NUMBER CONSTRUCTION

Part Number	Description	Flow Range	Units
B090-900	Low Range Standard Meter	68...172 bpd	42 Gallon Barrel
B090-901	Mid Range Standard Meter	172...1543 bpd	42 Gallon Barrel
B090-902	High Range Standard Meter	1543...3086 bpd	42 Gallon Barrel
B090-904	Mid Range Meter in U.S. Gallons	5...45 gpm	U.S. Gallon
B090-906	Low...Mid Range Meter in Cubic Meters	25.9...244.8 cmpd	Cubic Meter

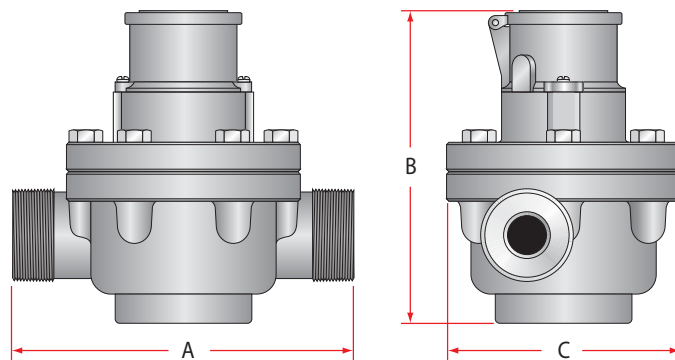
Repair Kits

Repair Kit Part Number Complete*	Model 900	Description
B250-921	B090-900	Repair Kit Complete with Register, 42 Gallon Barrel, Low
B250-925	B090-901	Repair Kit Complete with Register, 42 Gallon Barrel, Mid
B250-923	B090-902	Repair Kit Complete with Register, 42 Gallon Barrel, High
B250-927	B090-904	Repair Kit Complete with Pulse Register, US Gallon
B250-931	B090-906	Repair Kit Complete with Register, Cubic Meter

*Complete repair kit contains: register, top of seal cup gasket, bottom of measuring element gasket, lid gasket, measuring element, impeller wheel, and cup o-ring.

Repair Kit Part Number Less Register & Register Gear	Model 900	Description
B250-922	B090-900	Repair Kit Less Register & Register Gear, 42 Barrel, Low
B250-926	B090-901	Repair Kit Less Register & Register Gear, 42 Barrel, Mid
B250-924	B090-902	Repair Kit Less Register & Register Gear, 42 Barrel, High
B250-932	B090-904	Kit Less Register & Register Gear, US Gallon
B250-928	B090-906	Repair Kit Less Register & Register Gear, Cubic Meter

DIMENSIONS



A	B	C
8.80 in. (223.5 mm)	8.00 in. (203.2 mm)	6.10 in. (154.9 mm)

Control. Manage. Optimize.

Blancett is a registered trademark of Badger Meter, Inc. Other trademarks appearing in this document are the property of their respective entities. Due to continuous research, product improvements and enhancements, Badger Meter reserves the right to change product or system specifications without notice, except to the extent an outstanding contractual obligation exists. © 2015 Badger Meter, Inc. All rights reserved.

www.badgermeter.com

The Americas | Badger Meter | 4545 West Brown Deer Rd | PO Box 245036 | Milwaukee, WI 53224-9536 | 800-876-3837 | 414-355-0400
 México | Badger Meter de las Americas, S.A. de C.V. | Pedro Luis Ogazón N°32 | Esq. Angelina N°24 | Colonia Guadalupe Inn | CP 01050 | México, DF | México | +52-55-5662-0882
 Europe, Middle East and Africa | Badger Meter Europa GmbH | Nurtlinger Str 76 | 72639 Neuffen | Germany | +49-7025-9208-0
 Europe, Middle East Branch Office | Badger Meter Europe | PO Box 341442 | Dubai Silicon Oasis, Head Quarter Building, Wing C, Office #C209 | Dubai / UAE | +971-4-371 2503
 Czech Republic | Badger Meter Czech Republic s.r.o. | Mařikova 2082/26 | 621 00 Brno, Czech Republic | +420-5-41420411
 Slovakia | Badger Meter Slovakia s.r.o. | Racianska 109/B | 831 02 Bratislava, Slovakia | +421-2-44 63 83 01
 Asia Pacific | Badger Meter | 80 Marine Parade Rd | 21-06 Parkway Parade | Singapore 449269 | +65-63464836
 China | Badger Meter | 7-1202 | 99 Hangzhong Road | Minhang District | Shanghai | China 201101 | +86-21-5763 5412