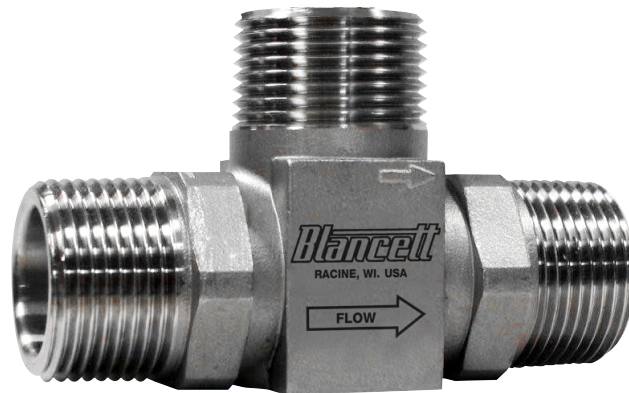




Turbine Flow Meter

1100 Series Turbine Meter



TUR-UM-00014-EN-03 (July 2014)

User Manual

CONTENTS

Introduction	3
Operating Principle	3
Specifications	4
Materials of Construction	4
Operating Parameters.	4
Installation.	4
Pressure Drop Charts	7
Operational Startup.	7
Turbine Replacement.	8
Part Number Information	10

INTRODUCTION

Designed to withstand the demands of the most rigorous flow measurement applications the Model 1100 turbine flow meter is reliable, rugged and cost effective. Originally developed for the secondary oil recovery market, the Model 1100 is an ideal meter for liquid flow measurement on or off the oil field.

The meter features a rugged 316 stainless steel housing and rotor support assemblies, CD4MCU stainless steel rotor, and abrasive-resistant tungsten carbide rotor, shaft, and journal bearings. The Model 1100 maintains measurement accuracy and mechanical integrity in the corrosive and abrasive fluids commonly found in oil field water flood project and many industrial applications.

OPERATING PRINCIPLE

Fluid entering the meter passes through the inlet flow straightener which reduces its turbulent flow pattern and improves the fluid's velocity profile. Fluid then passes through the turbine, causing it to rotate at a speed proportional to the fluid velocity. As each turbine blade passes through the magnetic field, the blade generates an AC voltage pulse in the pickup coil at the base of the magnetic pickup (see *Figure 1*). These pulses produce an output frequency proportional to the volumetric flow through the meter. The output frequency represents flow rate and/or totalization of fluid passing through the turbine flow meter.

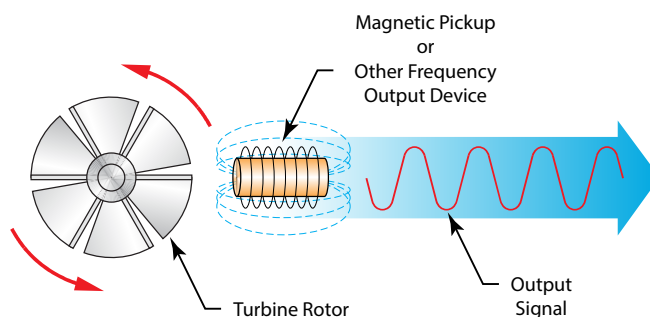
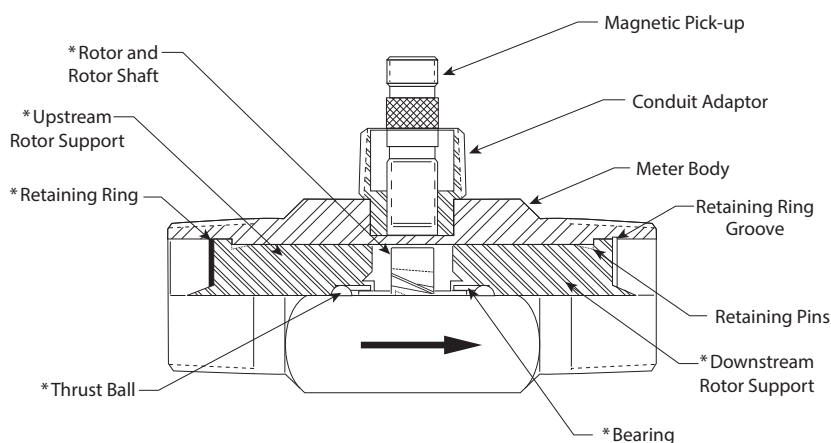


Figure 1: Schematic illustration of electric signal generated by rotor movement



NOTE: * Indicates parts supplied in repair kits.

Figure 2: Typical cross-section of B110-375...B111-121 turbine flow meter

SPECIFICATIONS

Materials of Construction

Body	316 Stainless Steel
Rotor	CD4MCU Stainless Steel
Rotor Support	316 Stainless Steel
Rotor Shaft and Bearing	Tungsten Carbide

Operating Parameters

Temperature	-150...350° F (-101...177° C). The meter should not be subjected to temperatures above 350° F (177° C), or below -150° F (-101° C) or the freezing point of the metered liquid.
Pressure	Maximum pressure ratings as follows: 5000 psi for all NPT meters up to 2 in. 3000 psi for 3 in. and 4 in. Grayloc meters. 800 psi for 3...10 in. grooved end meters.
Accuracy	±1% of reading for 7/8 in. and larger meters. ±1% of reading over the upper 70% of the measuring range for 3/8 in., 1/2 in., and 3/4 in. meters.
Repeatability	±0.1%.
Calibration	Water (NIST traceable calibration).
Approvals	"Single Seal": ANSI/ISA 12.27.01-2003; MWP 5,000 PSI (34.5 MPa), 350° F. I.S. Entity Parameters with Badger Meter B111109 standard magnetic pickup installed: Vmax = 10V, Imax = 7mA, Ci = 0µF, Li = 0.9H
End Connections	NPT, BSP, Victaulic, Flange, and Hose Barbed.
*Contact the factory for ordering options.	

NOTE: Consult factory for pressure ratings for flanged meters.

INSTALLATION

WARNING

PRESSURE IN EXCESS OF ALLOWABLE RATING MAY CAUSE THE HOUSING TO BURST AND CAUSE SERIOUS PERSONAL INJURY.

AVERTISSEMENT

LA PRESSION AU-DESSUS DE L'ESTIMATION PERMISE PEUT FAIRE ÉCLATER ET CAUSER LE LOGEMENT LE DOMMAGE CORPOREL SÉRIEUX.

1. Check the internals of the flow meter for any foreign material. Make sure the turbine rotor spins freely prior to installation. Also, check fluid lines and remove any debris found.
2. Install the flow meter with the flow arrow, etched on the exterior of the meter body, pointing in the direction of fluid flow. Though the meter is designed to function in any position, where possible, install it horizontally with the conduit adapter facing upward.
3. Thread a magnetic pickup (Badger Meter model B111109 or equivalent) into the conduit adapter completely finger tight without forcing. Secure with a lock nut if supplied.
4. Install conduit or other fittings suitable for the installation area onto the conduit adapter hub on the flow meter.

All Badger Meter Model 1100 turbine meters use stainless steel and tungsten carbide construction materials. Make sure the operating fluid is compatible with these materials. Incompatible fluids can cause deterioration of internal components and cause a reduction in meter accuracy.

The measured liquid should be free of any large particles that may inhibit rotation of the turbine blades. If particles are present, install a mesh strainer upstream before operating the flow meter. See *Table 1* for strainer recommendations.

Part Number	Strainer Mesh	Clearance	Filter Size
B110-375	60 x 60	0.0092 in.	260 µm
B110-500	60 x 60	0.0092 in.	260 µm
B110-750	60 x 60	0.0092 in.	260 µm
B110-875	60 x 60	0.0092 in.	260 µm
B111-110	60 x 60	0.0092 in.	260 µm
B111-115	20 x 20	0.0340 in.	0.86 mm
B111-120	10 x 10	0.0650 in.	1.6 mm
B111-121	20 x 20	0.0340 in.	0.86 mm
B111-130, B117-130	8 x 8	0.0900 in.	2.3 mm
B111-140, B117-140	10 x 10	0.0650 in.	1.6 mm
B111-160	4 x 4	0.1875 in.	4.8 mm
B111-180	8 x 8	0.0900 in.	2.3 mm
B111-200	4 x 4	0.1875 in.	4.8 mm

Table 1: Strainer mesh installation details

The preferred plumbing setup is one containing a bypass line (see *Figure 3*) that allows meter inspection and repair without interrupting flow. If a bypass line is not used, it is important that all control valves be located downstream of the flow meter (see *Figure 4*).

CAUTION

STRIKING AN EMPTY METER WITH HIGH VELOCITY FLOW STREAM CAN CAUSE DAMAGE.

ATTENTION

DES DOMMAGES PEUVENT ÊTRE PROVOQUÉS EN FRAPPANT UN MÈTRE VIDE AVEC UN JET D'ÉCOULEMENT DE VITESSE ÉLEVÉE.

This is true with any restriction in the flow line that may cause the liquid to flash. If necessary, install air eliminators to ensure that the meter is not incorrectly measuring entrained air or gas.

Badger Meter recommends installation of a minimum length, equal to ten (10) pipe diameters of straight pipe on the upstream side and five (5) diameters on the downstream side of the flow meter. Otherwise, meter accuracy may be affected. Piping should be the same size as the meter bore or threaded port size.

Severe pulsation and mechanical vibration affect accuracy and shorten the life of the meter. If this condition is present, consider using a flow meter possessing superior resistance to pulsation and vibration like the Badger Meter QuicSert. Do not locate the flow meter or connection cable close to electric motors, transformers, sparking devices, high voltage lines, or place connecting cable in conduit with wires furnishing power for such devices. These devices can induce false signals in the flow meter coil or cable, causing the meter to read inaccurately.

If problems arise with the flow meter, consult the *Troubleshooting Guide* on page 11. If further problems arise, consult the factory.

If damaged replace the internal components of the turbine flow meter with a turbine meter repair kit available from Badger Meter. For information pertaining to the repair kits, see *Turbine Replacement* on page 8.

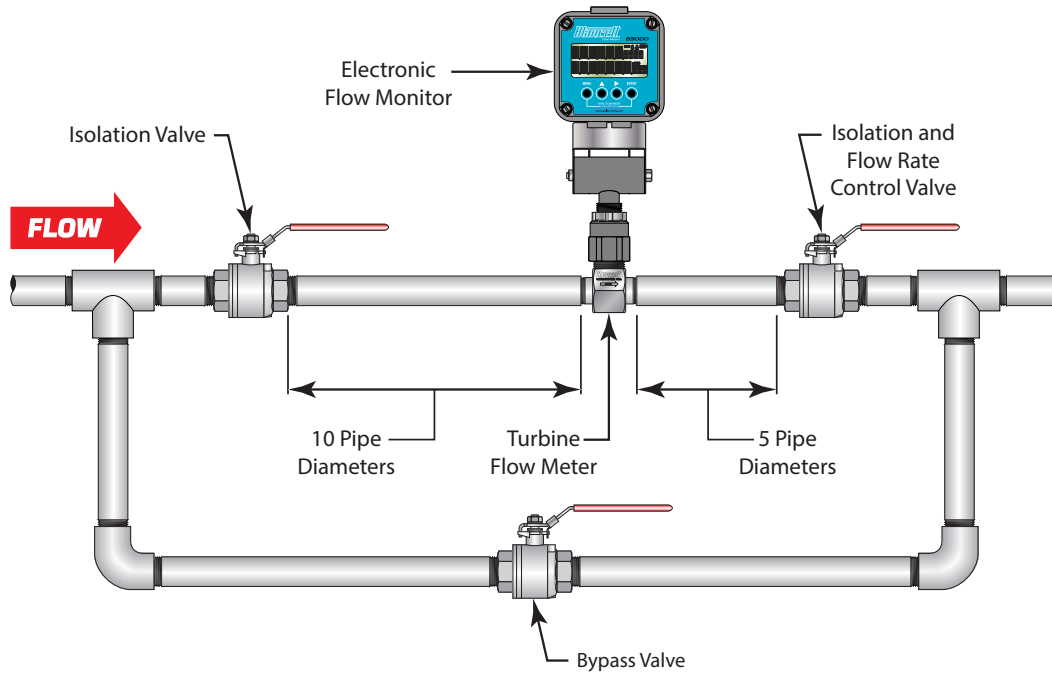


Figure 3: Meter installation with a bypass line

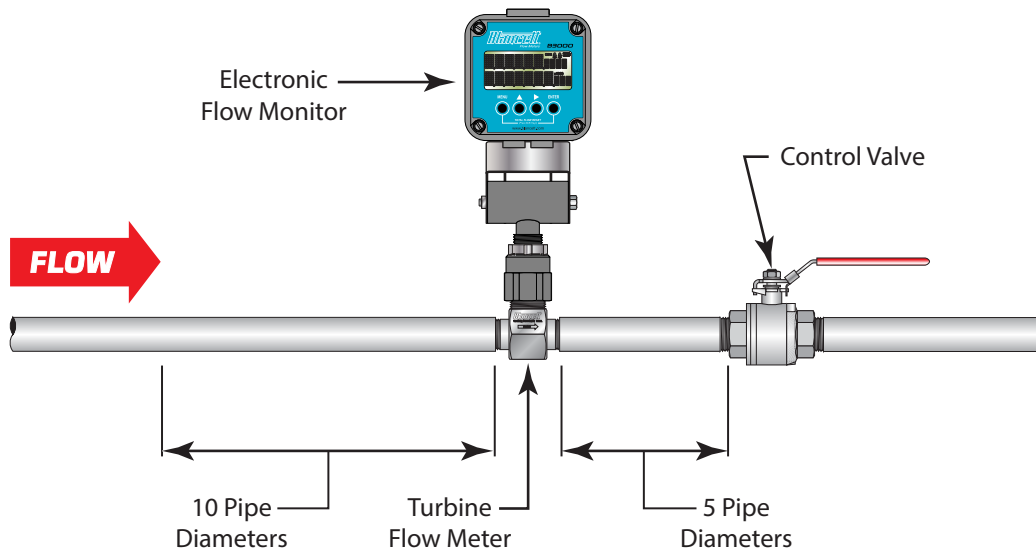


Figure 4: Meter installation without a bypass line

PRESSURE DROP CHARTS

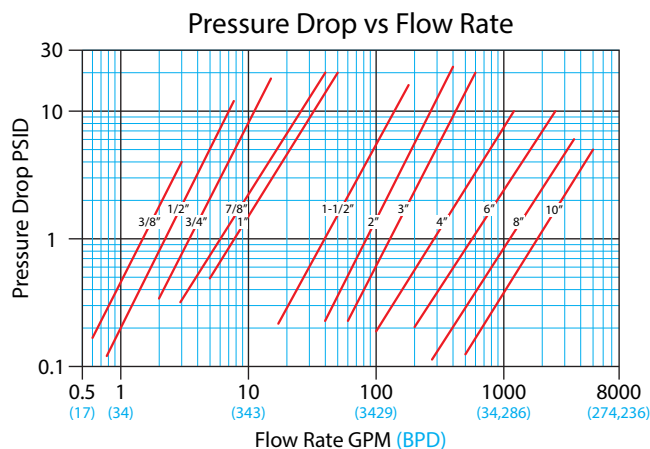


Figure 5: English units pressure drops

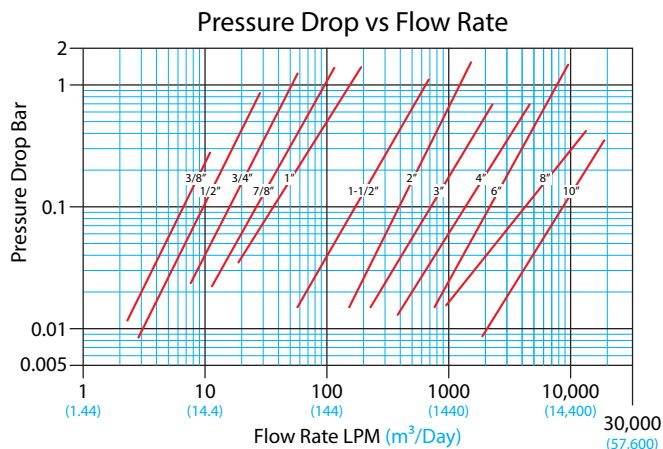


Figure 6: Metric units pressure drops

OPERATIONAL STARTUP

Follow these steps when installing and starting the meter.

⚠ WARNING

MAKE SURE TO SHUT OFF FLUID FLOW AND RELEASE PRESSURE IN THE LINE BEFORE ATTEMPTING TO INSTALL THE METER IN AN EXISTING SYSTEM.

⚠ AVERTISSEMENT

ASSUREZ-VOUS QUE LE FLUX DE FLUIDE A ÉTÉ COUPÉ ET DE LA PRESSION DANS LA LIGNE A ÉTÉ LIBÉRÉE AVANT D'ESSAYER D'INSTALLER LE MÈTRE DANS UN SYSTÈME ACTUEL.

After meter installation, close the isolation valves and open the bypass valve. Allow liquid to flow through the bypass valve for sufficient time to eliminate any air or gas in the flow line.

⚠ CAUTION

HIGH VELOCITY AIR OR GAS MAY DAMAGE THE INTERNAL COMPONENTS OF THE METER.

⚠ ATTENTION

DES DOMMAGES PEUVENT ÊTRE PROVOQUÉS EN FRAPPANT UN MÈTRE VIDE AVEC UN JET D'ÉCOULEMENT DE VITESSE ÉLEVÉE.

5. Open the upstream isolating valve slowly to eliminate hydraulic shock while charging the meter with the liquid. Open the valve to full open.
6. Open downstream isolating valve to permit meter to operate.
7. Close the bypass valve to a full closed position.
8. Adjust the downstream valve to provide the required flow rate through the meter.

NOTE: If necessary, use the downstream valve as a control valve.

TURBINE REPLACEMENT

The Model 1100 turbine flow meter uses wear resistant moving parts to provide trouble-free operation and long service life. The Designed for easy field service of a damaged flow meter Model 1100 repair kits replace only the internal parts, rather than replacing the entire flow meter. Repair parts use stainless steel alloys and tungsten carbide construction materials.

Each repair kit is factory calibrated to ensure accuracy throughout the entire flow range. Each kit is complete and includes a new K factor, which is the calibrated number of pulses generated by each gallon of liquid. Recalibration of the monitor or other electronics uses the K factor to provide accurate output data.

NOTE: If the meter repair kit part number ends in *NCC* (no calibration), it was not factory calibrated. For these repair kits, use the nominal K factor.

Turbine Replacement Kit Part Number

Flow Meter Size	Replacement Kit Fits Meter Part Number	Repair Kit Part Number
3/8 in.	B110-375, B110-375-1/2	B251-102
1/2 in.	B110-500, B110-500-1/2	B251-105
3/4 in.	B110-750, B110-750-1/2	B251-108
7/8 in.	B110-875	B251-109
1 in.	B111-110	B251-112
1-1/2 in.	B111-115	B251-116
2 in. Low	B111-121	B251-116
2 in.	B111-120	B251-120
3 in.	B111-130	B251-131
4 in.	B111-140	B251-141
6 in.	B111-160	B251-161
8 in.	B111-180	B251-181
10 in.	B111-200	B251-200
Standard Magnetic Pick-up	All Meter Sizes	B111109

Table 2: Repair kit part numbers

Turbine Assembly Removal

WARNING

HIGH-PRESSURE LEAKS ARE DANGEROUS AND MAY CAUSE PERSONAL INJURY. MAKE SURE TO SHUT OFF FLUID FLOW AND RELEASE RESIDUAL PRESSURE IN THE LINE BEFORE ATTEMPTING TO REMOVE THE METER.

AVERTISSEMENT

LES FUITES À HAUTE PRESSION SONT DANGEREUSES ET PEUVENT CAUSER LE DOMMAGE CORPOREL. ASSUREZ-VOUS QUE LE FLUX DE FLUIDE A ÉTÉ COUPÉ ET DE LA PRESSION DANS LA LIGNE A ÉTÉ LIBÉRÉE AVANT D'ESSAYER D'ENLEVER LE MÈTRE.

Disassembly

1. Refer to *Figure 7*, *Figure 8* and *Figure 9* for relative positions of repair kit components.
2. Remove the magnetic pickup from the meter body to avoid damage during repair.
3. Remove the retaining ring from one end of the meter.
4. Remove the rotor support from the body. If the rotor support is jammed in the body, use a pair of pliers or vise-grips to break the rotor support free.
5. The rotor may also be removed at this time.

NOTE: 4 in. and larger meters have two retaining rings (one on either side of the rotor) that require removal before the rotor can be removed (see *Figure 9*).

6. Remove the retaining ring from the opposite side of the meter.
7. Remove the second rotor support.

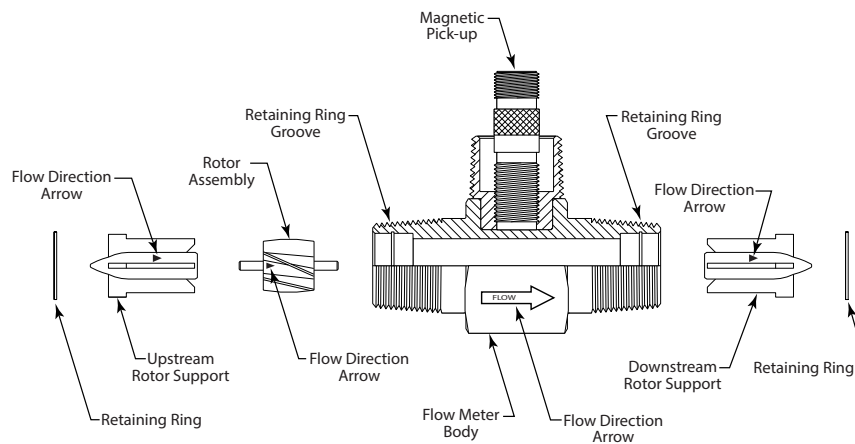


Figure 7: Component positions for B110-375...B111-115 and B111-121

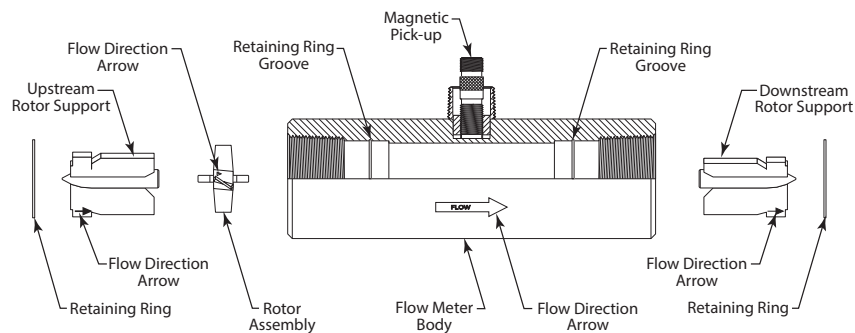


Figure 8: Component positions for B111-120 and B111-130

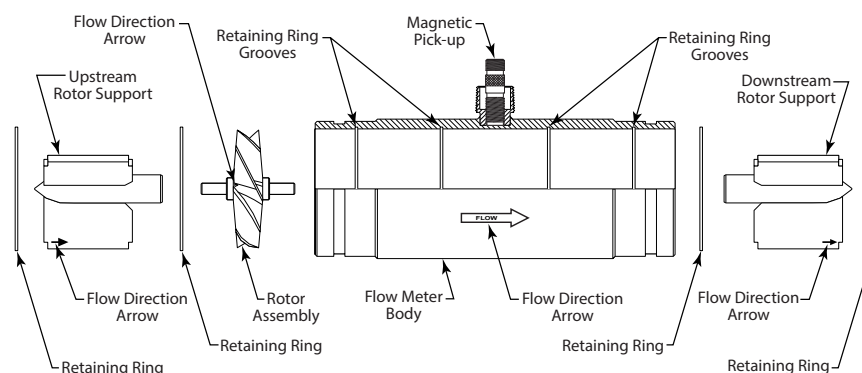


Figure 9: Component positions for B111-140 and B111-200

New Turbine Kit Installation

IMPORTANT

Before reassembly, note that an arrow is cast or engraved on each component. The arrow indicates the primary flow direction. When reassembled, the arrowheads must point in the direction of the fluid flow. The arrows must also be oriented in the up position on both rotor supports. The magnetic pickup side of the body signifies the up position. Performance of repair kit calibration is in the up position. Reinstallation of the repair kit in the up position ensures continuation of accurate measurements. Figure 7, Figure 8, and Figure 9 show the proper alignment and orientation of the repair kits.

NOTE: Fractional size (3/8 in., 1/2 in. and 3/4 in.) rotors do not contain a cast or engraved arrow. However, a colored cap on the downstream side of the rotor shaft indicates flow direction. Remove this cap before assembly, noting flow direction.

1. Install one of the rotor supports into the body bore, noting the orientation of the arrow.
2. Secure a retaining ring in the groove provided. Check for complete installation of retaining rings in each groove.

NOTE: 4 in. and larger meters have a retaining ring at both ends of the rotor (see Figure 9).

3. Insert the rotor and second rotor support in the opposite side of the body, noting the orientation of the arrow.
4. Secure the second retaining ring in the opposite groove, using the same procedure as in step 2 above.

CAUTION

EXCESS AIR PRESSURE MAY DAMAGE THE ROTOR AND BEARINGS BY OVER SPINNING.

ATTENTION

LA PRESSION ATMOSPHÉRIQUE EXCESSIVE PEUT ENDOMMAGER LE ROTOR ET LES ROULEMENTS PRÈS AU-DESSUS DE LA ROTATION.

5. Check the meter by lightly puffing air through the assembly. If the rotor does not turn freely, disassemble the meter and remove anything that might obstruct movement of the rotor.

NOTE: At this time, electronics require recalibration. Refer to the display's user manual. If there are any questions on recalibration, contact Badger Meter, Inc. or the manufacturer of the associated electronics.

6. Install the magnetic pickup.

PART NUMBER INFORMATION

Part Number	Meter Size	End to End Length		End Connection	Flow Ranges		
		inches	mm		gpm	bpd	m ³ /d
B110-375-1/2	3/8 in.	3	76.2	1/2 in. Male NPT	0.6...3.0	20...100	3.3...16
B110-500-1/2	1/2 in.	3	76.2	1/2 in. Male NPT	0.75...7.5	25...250	4.1...41
B110-750-1/2	3/4 in.	3	76.2	1/2 in. Male NPT	2...15	68...515	10.9...81.75
B110-375	3/8 in.	4	101.6	1 in. Male NPT	0.6...3.0	20...100	3.3...16
B110-500	1/2 in.	4	101.6	1 in. Male NPT	0.75...7.5	25...250	4.1...41
B110-750	3/4 in.	4	101.6	1 in. Male NPT	2...15	68...515	10.9...81.75
B110-875	7/8 in.	4	101.6	1 in. Male NPT	3...30	100...1000	16...160
B111-110	1 in.	4	101.6	1 in. Male NPT	5...50	170...1700	27.25...272.5
B111-115	1-1/2 in.	6	152.4	1-1/2 in. Male NPT	15...180	515...6000	82...981
B111-121	2 in. Low	6	152.4	2 in. Male NPT	15...180	515...6000	82...981
B111-120	2 in.	10	254	2 in. Female NPT	40...400	1300...13,000	218...2180
B111-130	3 in.	12-1/2	317.5	3 in. Grooved End	60...600	2100...21,000	327...3270
B111-140	4 in.	12	304.8	4 in. Grooved End	100...1200	3400...41,000	545...6540
B111-160	6 in.	12	304.8	6 in. Grooved End	200...2500	6800...86,000	1090...13,626
B111-180	8 in.	12	304.8	8 in. Grooved End	350...3500	12,000...120,000	1363...19,076
B111-200	10 in.	12	304.8	10 in. Grooved End	500...5000	17,000...171,000	2725...27,252

TROUBLESHOOTING GUIDE

Trouble	Possible Cause	Remedy
Meter indicates higher than actual flow rate	Cavitation. Debris on rotor support. Build up of foreign material on meter bore. Gas in liquid.	Increase back pressure. Clean meter. Clean meter. Install gas eliminator ahead of meter.
Meter indicates lower than actual flow rate.	Debris on rotor. Worn bearing. Viscosity higher than calibrated.	Clean meter and add filter. Clean meter and add filter. Recalibrate monitor.
Erratic system indication, meter alone works well (remote monitor application only).	Ground loop in shielding.	Ground shield one place only. Look for internal electronic instrument ground. Reroute cables away from electrical noise.
Indicator shows flow when shut off.	Mechanical vibration causes rotor to oscillate without turning.	Isolate meter.
No flow indication. Full or partial open position.	Fluid shock, full flow into dry meter or impact caused bearing separation or broken rotor shaft.	Rebuild meter with repair kit and recalibrate monitor. Move to location where meter is full on startup or add downstream flow control valve.
Erratic indication at low flow, good indication at high flow.	Rotor has foreign material wrapped around it.	Clean meter and add filter.
No flow indication.	Faulty pickup.	Replace pickup.
System works perfect, except indicates lower flow over entire range.	By-pass flow, leak.	Repair or replace bypass valves, or faulty solenoid valves.
Meter indicating high flow, upstream piping at meter smaller than meter bore.	Fluid jet impingement on rotor.	Change piping.
Meter indicating low flow, upstream piping at meter smaller than meter bore.	Viscosity lower than calibrated.	Change temperature, change fluid or recalibrate meter.

Control. Manage. Optimize.

Blancett is a registered trademark of Badger Meter, Inc. Other trademarks appearing in this document are the property of their respective entities. Due to continuous research, product improvements and enhancements, Badger Meter reserves the right to change product or system specifications without notice, except to the extent an outstanding contractual obligation exists. © 2014 Badger Meter, Inc. All rights reserved.

www.badgermeter.com

The Americas | Badger Meter | 4545 West Brown Deer Rd | PO Box 245036 | Milwaukee, WI 53224-9536 | 800-876-3837 | 414-355-0400

México | Badger Meter de las Americas, S.A. de C.V. | Pedro Luis Ogazón N°32 | Esq. Angelina N°24 | Colonia Guadalupe Inn | CP 01050 | México, DF | México | +52-55-5662-0882

Europe, Middle East and Africa | Badger Meter Europa GmbH | Nurtinger Str 76 | 72639 Neuffen | Germany | +49-7025-9208-0

Europe, Middle East Branch Office | Badger Meter Europe | PO Box 341442 | Dubai Silicon Oasis, Head Quarter Building, Wing C, Office #C209 | Dubai / UAE | +971-4-371 2503

Czech Republic | Badger Meter Czech Republic s.r.o. | Mařikova 2082/26 | 621 00 Brno, Czech Republic | +420-5-41420411

Slovakia | Badger Meter Slovakia s.r.o. | Racianska 109/B | 831 02 Bratislava, Slovakia | +421-2-44 63 83 01

Asia Pacific | Badger Meter | 80 Marine Parade Rd | 21-06 Parkway Parade | Singapore 449269 | +65-63464836

China | Badger Meter | 7-1202 | 99 Hangzhong Road | Minhang District | Shanghai | China 201101 | +86-21-5763 5412

Legacy Document Number: 02-TUR-UM-00103-EN