

numatics®

Lockout Valves



www.numatics.com

Lockout Valve Series

Features and Benefits	3
Inline/Modular Lockout and Slo Start™ Valves VL / VT32 Series	4
Inline Lockout and Slo Start™ Valves VL / VT40 Series	5
Inline/Modular Lockout and Slo Start™ Valves VL / VT42 Series	6
Inline Lockout and Slo Start™ Valves VL / VT52 Series	7
Shut Off Valves VSL32 Series	8
Shut Off Valves VSL42 Series	9
Accessories: Mufflers and Scissor "Trades" Lock	10

Numatics Lockout and Shut Off Valves



VL52 Series

VSL32 Series
(Product Color Grey)

VL40 Series

VL32 Series
(Product Color Yellow)

Lockout valves prevent unauthorized pressurization of an air system during service or maintenance. Numatics lockout valves employ a unique, one piece center spool design that accommodates a user-supplied padlock in the closed position. When locked in the closed position, the system controlled by the lockout valve cannot be operated until the padlock is removed. Numatics lockout valves are available in several different designs, including standard manual full flow quick exhaust (VL Series - yellow body), Slo-Start™ full flow quick exhaust (VT Series - yellow body) and the Shut-Off Valve (VSL Series - grey body). The Shut-Off Valve (VSL Series - grey body) has a restricted exhaust and is typically used at the beginning of the FRL assembly. The addition of the Slo-Start™ feature to the lockouts allows for the downstream pressure to gradually increase prior to opening to a full flow condition.

VL / VT Series Lockout Valves

Recommended use:

Install the **Lockout Valve downstream** of FRL assembly or selected air preparation components so its exhaust capacity is not restricted by any upstream components.

Features:

- VL Series: Standard Manual Lockout Valve
- VT Series: Manual Lockout Valve with Slo-Start™ feature
- Emergency shut off – Full flow quick exhaust of downstream pressure
- Meets OSHA specifications
- Bright Yellow body with Red knob is easily identified as a lockout device
- Integrated hole in valve spool for Scissor “Trades” lock
- Robust heavy duty construction
- Slo-Start™ feature allows operator to turn spool counter clock wise to “ON” position gradually ramping up downstream pressure, prolonging the life of pneumatic components

VSL Series Shut Off Valves

Recommended use:

Install the **Shut Off Valve upstream** of an FRL assembly or selected air preparation components. Restricted exhaust capacity prevents potential damage to FRL or air preparation components due to excessive pressure drop in the reverse flow direction. Provides a method to exhaust FRL or air preparation assembly, when components require service.

Features:

- Shut Off Valve – Restricted flow exhaust of downstream pressure
- Meets OSHA specifications
- Grey body with Red knob
- Integrated hole in valve spool for Scissor “Trades” lock
- Robust heavy duty construction

VL32 Standard Series / VT32 Series Slo-Start™ Feature

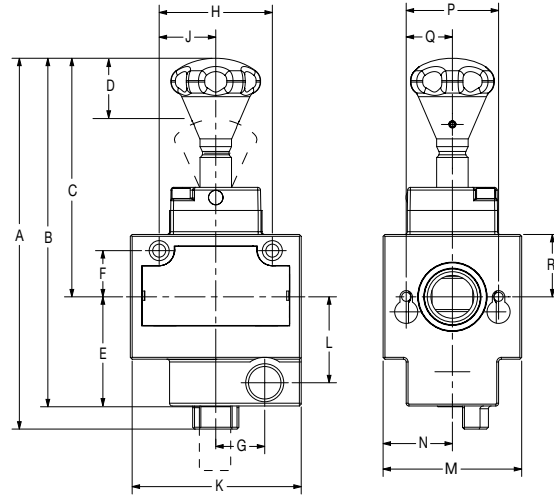
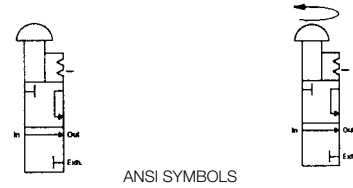
- High exhaust capability
- Detented spool
- Low-friction startup
- Meets OSHA specifications
- Surface mountable
- Modular adaptable to 32 series FRL assemblies
- Yellow body with red knob

Specifications

Temperature Range: 40° F to 120° F (4° C to 50° C)
 Maximum Pressure: 150 PSIG (10 bar)
 Flow Media: Filtered air
 Body Material: Aluminum
 Weight: VL32 Series: 2.70 lbs (1.23 kg)
 VT32 Series: 3.05 lbs (1.39 kg)

Cv Ratings

Model Number	Cv In-Out	Cv Out-Exh
VL32N03Y / VT32N03Y	5.0	5.5
VL32N04Y / VT32N04Y	6.0	6.0
VL32N06Y / VT32N06Y	8.3	6.0



Dimensions: Inches (mm)

Model	A	B	C	D	E	F	G	H
VL32	8.03 (204.0)	7.55 (191.8)	5.17 (131.3)	.960 (24.4)	2.36 (59.9)	1.0 (25.4)	1.06 (26.9)	8.03 (62.2)
VT32	9.34 (237.2)	8.86 (225.0)	6.47 (164.3)	1.05 (26.7)	2.36 (59.9)	1.0 (25.4)	1.06 (26.9)	1.00 (25.4)

	J	K	L	M	N	P	Q	R
VL32	1.225 (31.1)	3.66 (93.0)	1.86 (47.2)	3.00 (76.2)	1.50 (38.1)	2.00 (50.8)	1.00 (25.4)	1.350 (34.3)
VT32	1.225 (31.1)	3.66 (93.0)	1.86 (47.2)	3.00 (76.2)	1.50 (38.1)	2.00 (50.8)	1.00 (25.4)	1.350 (34.3)

How To Order

V L 32 N 03 A Y

Model ————
 L = Standard
 T = Slo-Start™ Feature

Threads ————
 N = NPTF
 G = G Tap (BSPP)

Options ————
 A = Metal Muffler (i.e. VL32N04AY)
 B = Scissor “Trades” Lock (i.e. VL32N04BY)

Port Size ————
 03 = 3/8 in/out, 1/2 exh.
 04 = 1/2 in/out, 1/2 exh.
 06 = 3/4 in/out, 1/2 exh.

VL40 Standard Series / VT40 Slo-Start™ Feature

- High exhaust capability
- Detented spool
- Low-friction startup
- Meets OSHA specifications
- Surface mountable
- Yellow body with red knob

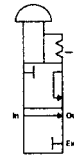
Specifications

Temperature Range: 40° F to 120° F (4° C to 50° C)
 Maximum Pressure: 150 PSIG (10 bar)
 Flow Media: Filtered air
 Body Material: Aluminum
 Weight: VL40 Series: 4.40 lbs (2.00 kg)
 VT40 Series: 5.00 lbs (2.27 kg)

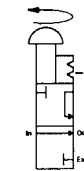
Cv Ratings

Model Number	Cv In-Out	Cv Out-Exh
VL40N06Y / VT40N06Y	13.5	11.0
VL40N08Y / VT40N08Y	18.2	14.9
VL40N10Y / VT40N10Y	19.1	14.9
VL40N12Y / VT40N12Y	20.3	16.3

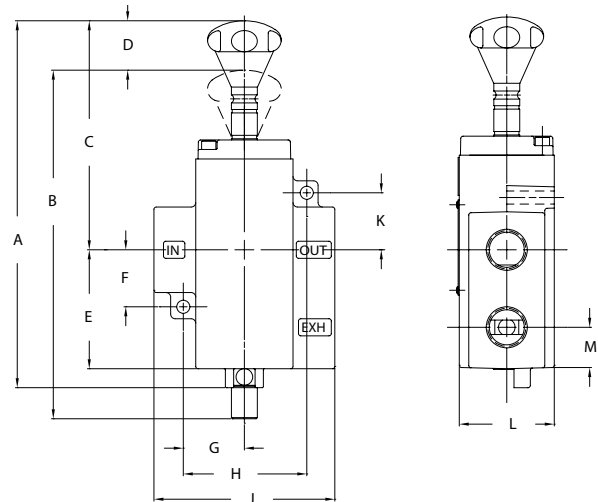
VL Series



VT Series



ANSI SYMBOLS



Dimensions: Inches (mm)

Model	A	B	C	D	E	F	G
VL40	9.75 (247.7)	9.27 (235.5)	6.12 (155.4)	1.30 (33)	3.13 (79.5)	1.50 (38.1)	1.62 (41.3)
VT40	11.45 (290.8)	10.97 (278.6)	7.82 (198.6)	1.30 (33)	3.13 (79.5)	1.50 (38.1)	1.62 (41.3)

	H	J	K	L	M
VL40	3.25 (82.6)	4.76 (120.9)	1.50 (38.1)	2.50 (63.5)	1.09 (27.7)
VT40	3.25 (82.6)	4.76 (120.9)	1.50 (38.1)	2.50 (63.5)	1.09 (27.7)

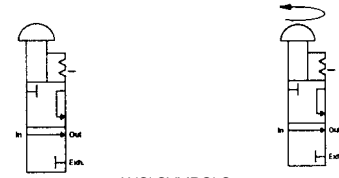
How To Order

V L 40 N 06 A Y

<p>Model</p> <p>L = Standard T = Slo-Start™ Feature</p> <p>Threads</p> <p>N = NPTF G = G Tap (BSPP)</p>	<p>Options</p> <p>A = Metal Muffler (i.e. VL40N08AY) B = Scissor "Trades" Lock (i.e. VL40N08BY)</p> <p>Port Size</p> <p>06 = 3/4 in/out, 3/4 exh. 08 = 1 in/out, 1 exh. 10 = 1 1/4 in/out, 1 exh. 12 = 1 1/2 in/out, 1 exh.</p>
---	---

VL42 Standard Series / VT42 Slo Start™ Feature

- High exhaust capability
- Detented spool
- Low-friction startup
- Meets OSHA specifications
- Surface mountable
- Modular adaptable to 42 series FRL assemblies
- Yellow body with red knob



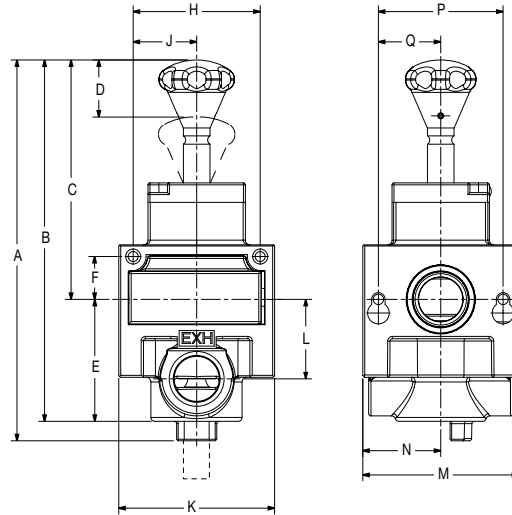
ANSI SYMBOLS

Specifications

Temperature Range: 40° F to 120° F (4° C to 50° C)
 Maximum Pressure: 250 PSIG (17 bar)
 Flow Media: Filtered air
 Body Material: Aluminum
 Weight: VL42 Series: 4.95lbs (2.25 kg)
 VT42 Series: 5.5 lbs (2.5 kg)

Cv Ratings

Model Number	Cv In-Out	Cv Out-Exh
VL42N06Y / VT42N06Y	11.5	9.0
VL42N08Y / VT42N08Y	12.5	10.0



Dimensions: Inches (mm)

Model	A	B	C	D	E	F	H	J
VL42	9.78 (248.4)	9.28 (235.7)	6.1 (154.9)	1.34 (34.0)	3.13 (80.0)	1.10 (28.0)	3.26 (83.5)	1.63 (41.0)
VT42	11.48 (291.6)	10.98 (278.9)	7.85 (199.4)	1.34 (34.0)	3.13 (80.0)	1.10 (28.0)	3.26 (83.5)	1.63 (41.0)

	K	L	M	N	P	Q
VT42	4.00 (102.0)	2.04 (52.0)	4.00 (102.0)	2.00 (51.0)	3.20 (81.0)	1.60 (41.0)
VT42	4.00 (102.0)	2.04 (52.0)	4.00 (102.0)	2.00 (51.0)	3.20 (81.0)	1.60 (41.0)

How To Order

V L 42 N 06 A Y

Model
 L = Standard
 T = Slo-Start™ Feature

Threads
 N = NPTF
 G = G Tap (BSPP)

Options
 A = Metal Muffler (i.e. VL42N08AY)
 B = Scissor "Trades" Lock (i.e. VT42N08BY)

Port Size
 06 = 3/4 in/out, 1 exh.
 08 = 1 in/out, 1 exh.

VL52 Standard Series / VT52 Slo-Start™ Feature

- High flow
- High exhaust capability
- Detented spool
- Meets OSHA specifications
- Surface mountable
- Yellow body with red knob

Specifications

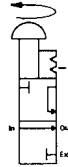
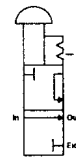
Temperature Range: 40° F to 120° F (4° C to 50° C)
 Maximum Pressure: 150 PSIG (10 bar)
 Flow Media: Filtered air
 Body Material: Aluminum
 Weight: VL52 Series: 4.125 lbs (1.87 kg)
 VT52 Series: 5.500 lbs (2.5 kg)

Cv Ratings

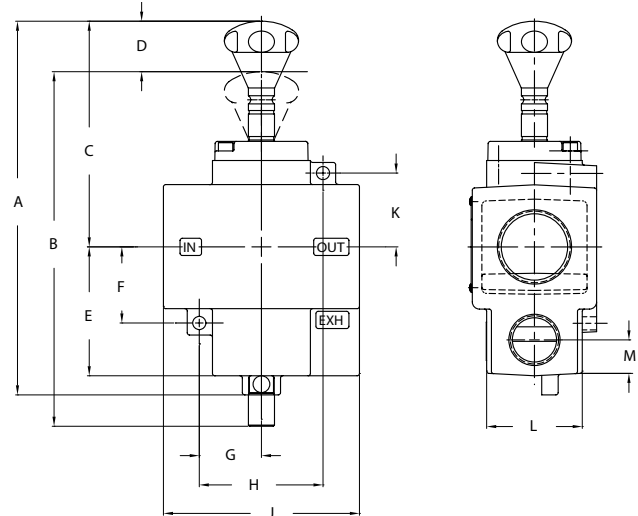
Model Number	Cv In-Out	Cv Out-Exh
VL52N12Y / VT52N12Y	24	16
VL52N16Y / VT52N16Y	24	16

VL Series

VT Series



ANSI SYMBOLS

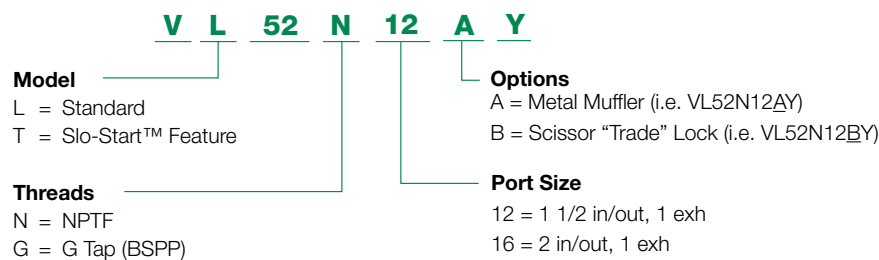


Dimensions: Inches (mm)

Model	A	B	C	D	E	F	G
VL52	9.77 (248.2)	9.27 (235.5)	5.90 (149.9)	1.32 (33.5)	3.38 (85.9)	2.00 (50.8)	1.63 (41.4)
VT52	11.47 (291.3)	10.97 (278.6)	7.59 (192.8)	1.32 (33.5)	3.38 (85.9)	2.00 (50.8)	1.63 (41.4)

	H	J	K	L	M
VL52	3.24 (82.6)	5.13 (120.9)	1.92 (38.1)	2.50 (63.5)	0.88 (27.7)
VT52	3.24 (82.6)	5.13 (120.9)	1.92 (38.1)	2.50 (63.5)	0.88 (27.7)

How To Order



VSL32 Series Shut Off Valve - Restricted Exhaust

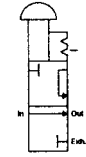
- Detented spool
- Low-friction startup
- Meets OSHA specifications
- Surface mountable
- Modular adaptable to 32 series FRL assemblies
- Grey body with red knob

Specifications

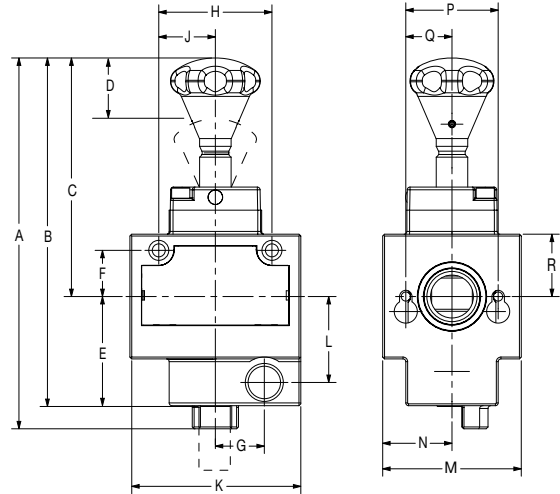
Temperature Range: 40° F to 120° F (4° C to 50° C)
 Maximum Pressure: 150 PSIG (10 bar)
 Flow Media: Filtered air
 Body Material: Aluminum
 Weight: VSL32 Series: 2.70 lbs (1.23 kg)

Cv Ratings

Model Number	Cv In-Out	Cv Out-Exh
VSL32-04	6.0	0.3
VSL32-06	8.3	0.3



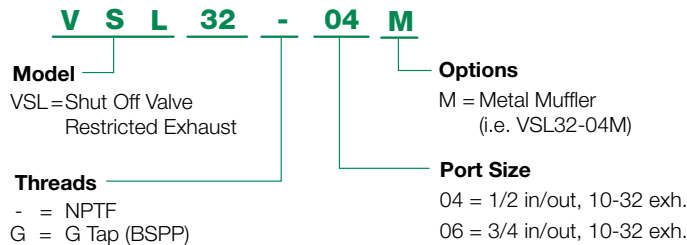
ANSI SYMBOL



Dimensions: Inches (mm)

Model	A	B	C	D	E	F	G	H
VSL32	8.03 (204.0)	7.55 (191.8)	5.17 (131.3)	.960 (24.4)	2.36 (59.9)	1.0 (25.4)	1.06 (26.9)	8.03 (62.2)
	J	K	L	M	N	P	Q	R
VSL32	1.225 (31.1)	3.66 (93.0)	1.86 (47.2)	3.00 (76.2)	1.50 (38.1)	2.00 (50.8)	1.00 (25.4)	1.350 (34.3)

How To Order - Shut Off Valve



VSL42 Series Shut Off Valve - Restricted Exhaust

- Detented spool
- Low-friction startup
- Surface mountable
- Modular adaptable to 42 series FRL assemblies
- Grey body with red knob



ANSI SYMBOL

Specifications

Temperature Range: 40° F to 120° F (4° C to 50° C)

Maximum Pressure: 250 PSIG (17 bar)

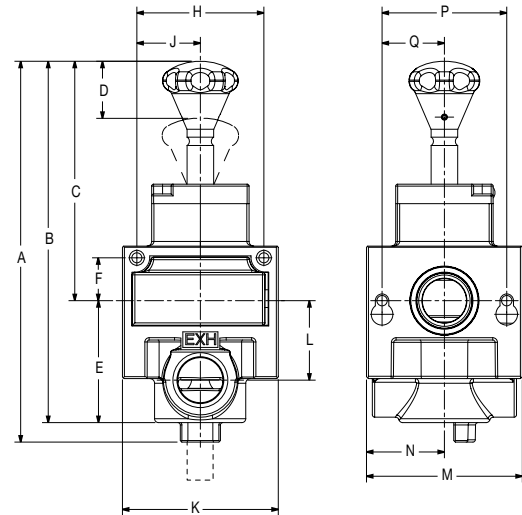
Flow Media: Filtered air

Body Material: Aluminum

Weight: VSL42 Series: 4.95 lbs (2.25 kg)

Cv Ratings

Model Number	Cv In-Out	Cv Out-Exh
VSL42-06	11.5	0.3
VSL42-08	12.5	0.3

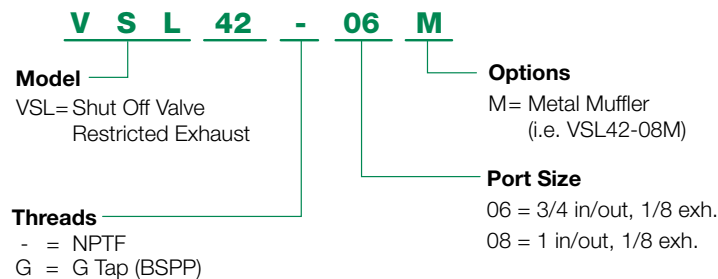


Dimensions: Inches (mm)

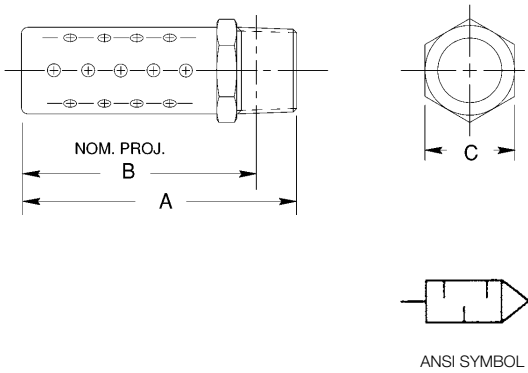
Model	A	B	C	D	E	F	G	H
VSL42	9.78 (248.4)	9.28 (235.7)	6.1 (154.9)	1.34 (34.0)	3.13 (80.0)	1.10 (28.0)	0.00 (0.0)	3.26 (83.5)

	J	K	L	M	N	P	Q
VSL42	1.63 (41.0)	4.00 (102.0)	2.04 (52.0)	4.00 (102.0)	2.00 (51.0)	3.20 (81.0)	1.60 (41.0)

How To Order - Shut Off Valve



M Series Metal Air Silencers



Dimensions: Inches (mm)

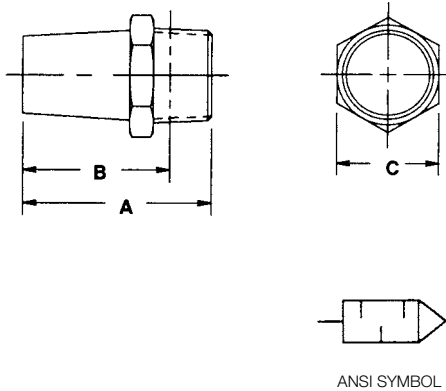
NPTF Male Dimensions

Model	NPTF	A	B	C	cv
M1MN	1/8	1.38 (34.9)	1.22 (31.0)	0.44 (11.1)	1.17
M2MN	1/4	1.75 (44.5)	1.53 (38.9)	0.56 (14.3)	2.54
M3MN	3/8	2.25 (57.2)	2.00 (50.8)	0.69 (17.5)	5.08
M4MN	1/2	2.72 (69.1)	2.41 (61.1)	0.88 (22.2)	7.32
M5MN	3/4	3.16 (80.2)	2.81 (71.4)	1.06 (27.0)	13.87
M6MN	1	3.88 (98.4)	3.47 (88.1)	1.31 (33.3)	19.53
M7MN	1 1/4	4.50 (114.3)	4.16 (105.6)	1.69 (42.9)	28.32
M8MN	1 1/2	5.00 (127.0)	4.59 (116.7)	2.00 (50.8)	38.09
M9MN	2	5.50 (139.7)	5.06 (128.6)	2.38 (60.3)	52.73

BSPT Male Dimensions

Model	BSPT	A	B	C	cv
M1MB	1/8	1.38 (34.9)	1.22 (31.0)	0.44 (11.1)	1.17
M2MB	1/4	1.75 (44.5)	1.53 (38.9)	0.56 (14.3)	2.54
M3MB	3/8	2.25 (57.2)	2.00 (50.8)	0.69 (17.5)	5.08
M4MB	1/2	2.72 (69.1)	2.41 (61.1)	0.88 (22.2)	7.32
M5MB	3/4	3.16 (80.2)	2.81 (71.4)	1.06 (27.0)	13.87
M6MB	1	3.88 (98.4)	3.47 (88.1)	1.31 (33.3)	19.53

P Series Porous Bronze Air Silencers



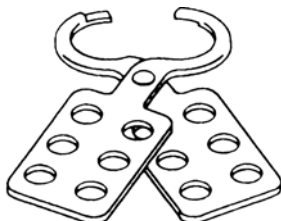
NPTF Male Dimensions

Model	NPTF	A	B	C	cv
P0MN	10-32	0.75 (19.1)	0.62 (15.7)	0.38 (9.5)	0.23
P1MN	1/8	0.84 (21.4)	0.69 (17.5)	0.44 (11.1)	1.07
P2MN	1/4	1.20 (30.6)	0.97 (24.6)	0.56 (14.3)	1.78
P3MN	3/8	1.45 (36.7)	1.20 (30.6)	0.69 (17.5)	2.30
P4MN	1/2	1.89 (48.0)	1.58 (40.1)	0.88 (22.2)	5.66
P5MN	3/4	2.12 (54.0)	1.78 (45.2)	1.06 (27.0)	9.67
P6MN	1	2.84 (72.2)	2.44 (61.9)	1.31 (33.3)	14.06
P7MN	1 1/4	3.44 (87.3)	3.00 (76.2)	1.69 (42.9)	20.51
P8MN	1 1/2	4.00 (101.6)	3.56 (90.5)	2.00 (50.8)	29.10
P9MN	2	4.75 (120.7)	4.31 (109.5)	2.38 (60.3)	44.92

BSPT Male Dimensions

Model	BSPT	A	B	C	cv
P1MB	1/8	0.84 (21.3)	0.69 (17.5)	0.44 (11.1)	1.07
P2MB	1/4	1.20 (30.5)	0.97 (24.6)	0.56 (14.3)	1.78
P3MB	3/8	1.45 (36.8)	1.20 (30.5)	0.69 (17.5)	2.30
P4MB	1/2	1.89 (48.0)	1.58 (40.1)	0.88 (22.2)	5.66
P5MB	3/4	2.12 (53.9)	1.78 (45.2)	1.06 (27.0)	9.67
P6MB	1	2.84 (72.1)	2.44 (62.0)	1.31 (33.3)	14.06

Scissor "Trades" Lock



The Scissor or "Trades" Lock clips into the lockout valve and can be locked with up to six locks, allowing maximum security.

Model
VB-1



World Class Supplier of Pneumatic Components



World Headquarters

USA Numatics, Incorporated

46280 Dylan Drive
Novi, Michigan 48377

P: 248-596-3200
F: 248-596-3201

Canada Numatics, Ltd

P: 519-758-2700
F: 519-758-5540

México - Ascomatica SA de CV

P: 52 55 58 09 56 40 (DF y Area metropolitana)
P: 01 800 000 ASCO (2726) (Interior de la República)
F: 52 55 58 09 56 60

Brazil Ascoval Ind.e Comercio Ltda

P: (55) 11-4208-1700
F: (55) 11-4195-3970