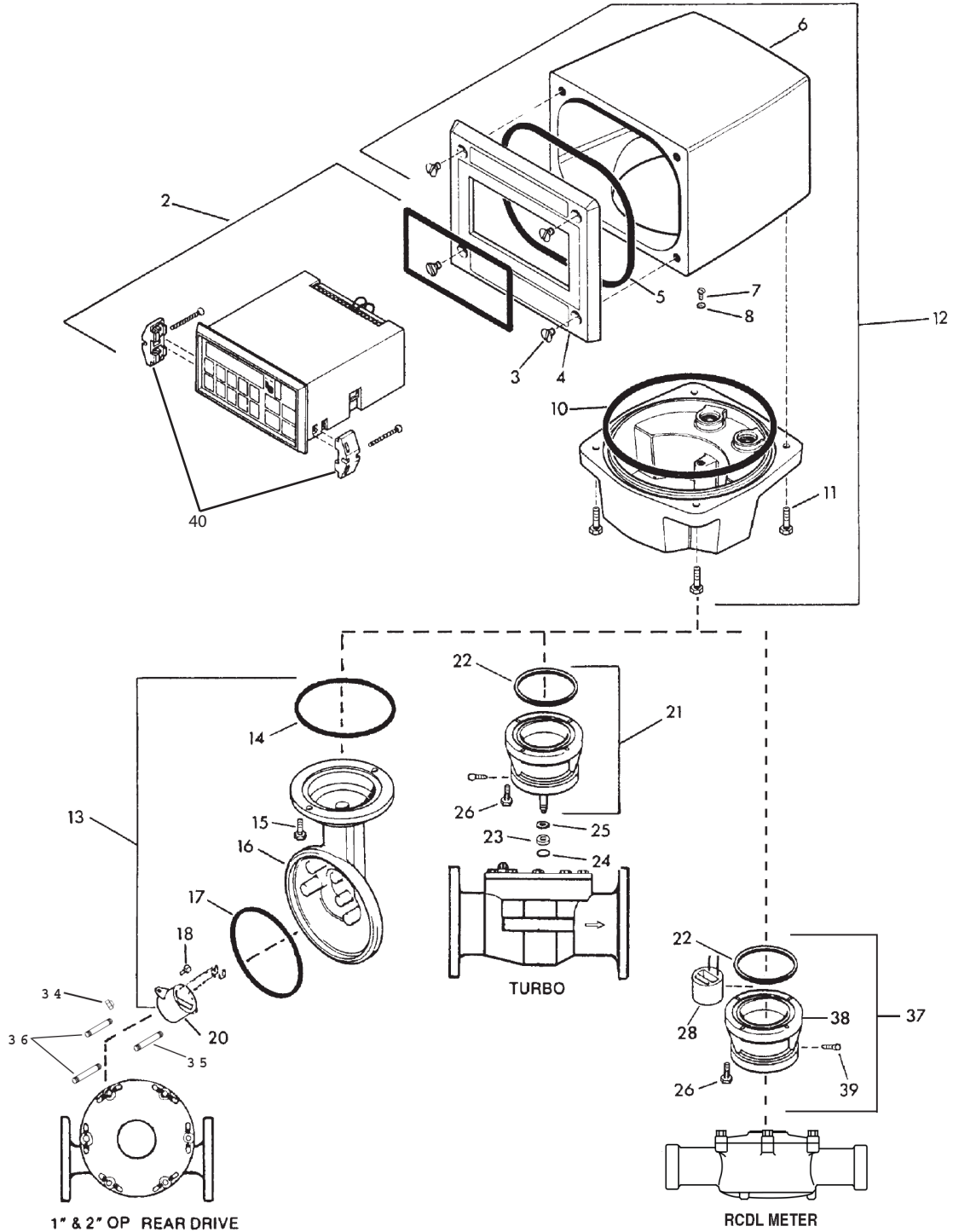




Badger Meter

Industrial Process Controller

Model PC-200 Meter Mount / Remote



ORDER INFORMATION

This Parts List shows an exploded view of the product with specific reference to those items available for replacement. The item number and part number may change at any time. Therefore, when you place an order, be sure to provide a complete description of the part, meter size, model, and serial number.

Item	Description	Part Number
2	Process controller , PC200	67868-001
3	Screw , 1/4-20 x 3/8 in., PC bezel	55072-276
4	Bezel , PC housing	58691-001
5	Tetraseal , PC bezel to housing	22559-042
6	Housing , PC meter mount	56564-001
7	Screw , 6-32 x 1/4 in.	55129-168
8	Lockwasher , external tooth #6	55281-007
10	Tetraseal , housing base, PC meter mount	22559-016
11	Bolt , hex. head, 1/4-20 x 7/8 in.	55030-113
12	Enclosure assembly , meter mount	67883-002
12	Enclosure assembly , remote	67883-001
13	Adapter assembly , right angle PC meter mount	58954-001
14	Tetraseal , PC to adapter	22559-034
15	Bolt , hex. head, 1/4-20 x 1/2 in.	55030-110
16	Adapter , right angle machined	58712-001
17	Gasket , adapter to meter	33790-000
18	Screw , pan head, spin lock, 8-32 x 1/4 in.	30840-002
20	Reed switch assembly , pickup FT-1	62704-001
20	Electronic sensor assembly , for OP meters FT-1E	62704-002
21	Electronic sensor , 2 in. and 3 in. turbo	59672-001
21	Electronic sensor assembly , 4 in. turbo	59672-002
21	Electronic sensor assembly , 6 in. Turbo	59672-003
22	Tetraseal , PC to adapter	22559-034
23	Spacer , register base	57337-001
24	O-Ring , register base, Buna N	55300-110
24	O-Ring , register base, EPR	31132-046
24	O-Ring , register base, Viton A	31132-045
25	Retaining ring (316 S.S.)	22886-012
26	Bolt , hex. head 1/4-20 x 1/2 in.	55030-110
28	Electronic sensor assembly , for SC-ER or RC DL meters	62927-001
31	Sealscrew , bronze adapter	22533-004
34	Acorn nut (3 needed)	22085-000
35	Stud (1 needed)	24191-011
36	Studs (2 needed)	24191-014
37	Adapter , electronic sensor, bronze assembly	62737-001
38	Adapter housing , bronze	58091-002
39	Sealscrew , bronze adapter	32140-000
40	Mounting hardware kit , PC-200 (includes 4 clips, 8 screws and 1 gasket)	WCM259170-0005

Control. Manage. Optimize.

Trademarks appearing in this document are the property of their respective entities. Due to continuous research, product improvements and enhancements, Badger Meter reserves the right to change product or system specifications without notice, except to the extent an outstanding contractual obligation exists. © 2017 Badger Meter, Inc. All rights reserved.

www.badgermeter.com

The Americas | Badger Meter | 4545 West Brown Deer Rd | PO Box 245036 | Milwaukee, WI 53224-9536 | 800-876-3837 | 414-355-0400
 México | Badger Meter de las Americas, S.A. de C.V. | Pedro Luis Ogazón N°32 | Esq. Angelina N°24 | Colonia Guadalupe Inn | CP 01050 | México, DF | México | +52-55-5662-0882
 Europe, Middle East and Africa | Badger Meter Europa GmbH | Nurltinger Str 76 | 72639 Neuffen | Germany | +49-7025-9208-0
 Europe, Middle East Branch Office | Badger Meter Europe | PO Box 341442 | Dubai Silicon Oasis, Head Quarter Building, Wing C, Office #C209 | Dubai / UAE | +971-4-371 2503
 Czech Republic | Badger Meter Czech Republic s.r.o. | Mařikova 2082/26 | 621 00 Brno, Czech Republic | +420-5-41420411
 Slovakia | Badger Meter Slovakia s.r.o. | Racianska 109/B | 831 02 Bratislava, Slovakia | +421-2-44 63 83 01
 Asia Pacific | Badger Meter | 80 Marine Parade Rd | 21-06 Parkway Parade | Singapore 449269 | +65-63464836
 China | Badger Meter | 7-1202 | 99 Hangzhong Road | Minhang District | Shanghai | China 201101 | +86-21-5763 5412
 Switzerland | Badger Meter Swiss AG | Mittelholzerstrasse 8 | 3006 Bern | Switzerland | +41-31-932 01 11