

## HEAVY-DUTY NAVY TYPE BIMETAL THERMOMETER

Reotemp's Bimetal Thermometers are reliable and durable temperature sensors. Navy Type Thermometers are specifically designed to resist vibration and shock. They are ideal for local indication, requiring no electricity or wiring. They can be recalibrated with a turn of the calibration screw on the back of the dial.



Fillable



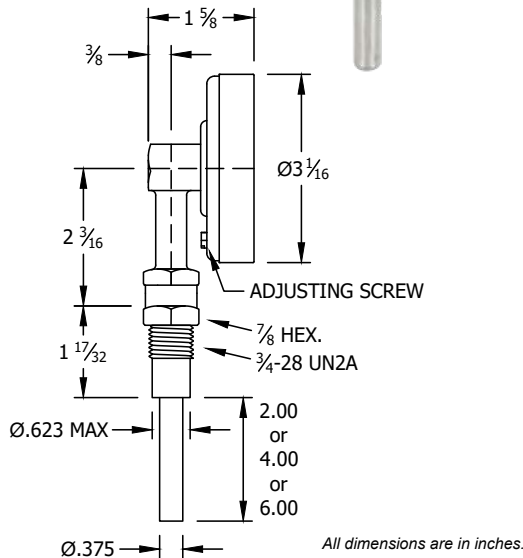
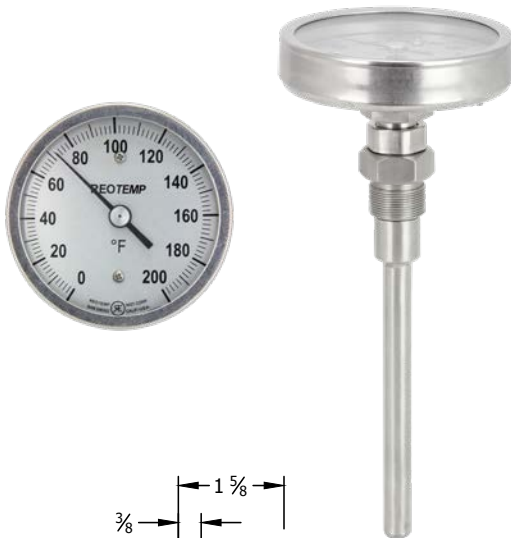
Dials



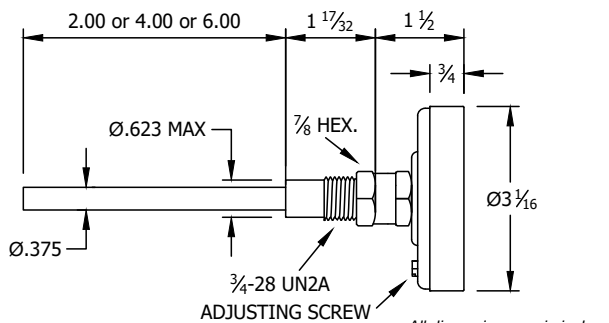
Accuracy



Custom Logo



**Straight Form**



**Back Angle Form**

### FEATURES / BENEFITS

- Heavy-Duty Vibration and Shock Resistant
- Made in the USA
- Accuracy  $\pm 1\%$  Full Scale. (ASME B40.3)
- 3" Dial with Bimetal Actuation
- Hermetically Sealed (ASME B40.3)
- Plastic Crystal Polycarbonate Window
- Standard External Reset
- Fits in 5" Scale "Submarine" Thermowell
- The standard  $\frac{3}{4}$ " - 28 UN2A Union Connection is designed for Navy thermowells
- Silicone Fillable for Vibration

### SPECIFICATIONS

<b>Accuracy</b>	$\pm 1\%$ Full Scale (ASME B40.3)
<b>Dial Size</b>	3"
<b>Dial Material</b>	Black marks on satin matte aluminum finish, or White Dial
<b>Stem Length</b>	2", 4", and 6" (Standard); custom lengths available.
<b>Stem Diameter</b>	.375" (Standard) or 1/4"
<b>Head, Bezel, Mounting Bushing, Stems</b>	300 Series SS
<b>Operating Conditions</b>	Head temperature should not exceed 200°F (150°F if silicone filled). Stem should not be exposed to continuous temperatures exceeding 50% over-range or 800°F (550°F if silicone filled).
<b>Environmental Protection</b>	IP67, NEMA 6 Rated (Hermetically sealed per ASME B40.3)
<b>Lens</b>	Plastic
<b>Immersion</b>	Minimum 2" in liquid, and 4" in gas.
<b>Mounting Connection</b>	$\frac{3}{4}$ " - 28 UN2A Union Connection (to be used in thermowell)
<b>Temperature Sensing Area</b>	Last 2" to 4" of the stem.

## HEAVY-DUTY NAVY TYPE BIMETAL THERMOMETER

**HOW TO ORDER:** Choose options to build a part number. For example: AN2F21-HV

**AN2**

**F21**

**-HV**

MODEL	TEMPERATURE RANGE	OPTIONS
-------	-------------------	---------

**Back Angle Form**

- AN2 = 2"
- AN4 = 4"
- AN6 = 6"

**Straight Form**

- XN2 = 2"
- XN4 = 4"
- XN6 = 6"

**Fahrenheit Ranges**

- F21 = -40°F to 120°F, 2°
- F25 = -40°F to 180°F, 2°
- F43 = 0°F to 200°F, 2°
- F53 = 20°F to 240°F, 2°
- F63 = 50°F to 300°F, 2°
- F65 = 50°F to 400°F, 5°
- F69 = 50°F to 550°F, 5°
- F73 = 50°F to 750°F, 10°

**Celsius Ranges**

- C07 = -50°C to 50°C, 1°
- C53 = -10°C to 110°C, 1°
- C59 = 0°C to 150°C, 2°
- C65 = 0°C to 200°C, 2°
- C71 = 0°C to 300°C, 5°

\*4" Minimum stem length on straight, left, or right forms only.

For Additional Ranges See Master Range Code Sheet on Page 221

**General Options (Choose up to 4)**

- SF = Silicone Filled
- WD = White Dial
- HV = Hi-Vis™ Dial
- NL = No Logo Dial
- CB = Color Bands
- PI = Color Pie
- MM = Min-Max Pointer (Plastic Lens)
- CL = Custom Logo Dial

**Calibration Cert. Options**

- R1 = One Point Calibration Cert
- R3 = Three Point Calibration Cert

**Tags and Accessories (up to 2)**

- TS = Tag, Stainless
- TP = Tag, Paper
- HT = Heat Transfer Compound

**Note:** Thermowells should be used whenever the stem or bulb would be exposed to pressure, corrosion, velocity, abrasion or shear forces. Thermowells also make it possible to remove the thermometer without losing pressure or the contents of the process.

## HEAVY-DUTY NAVY TYPE THERMOWELL

**HOW TO ORDER:** Choose options to build a part number. For example: STN2SS

**STN**

**2**

**SS**

WELL CLASS	STEM LENGTH & (OVERALL LENGTH)	MATERIAL
------------	--------------------------------	----------

STN = Class A 3/4" NPT

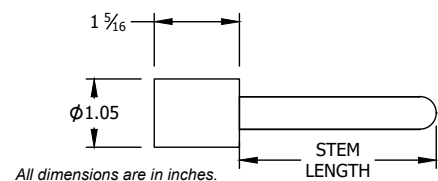
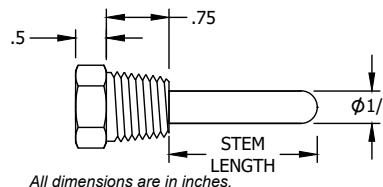
- 2 = 2" (3.25")
- 4 = 4" (5.25")
- 6 = 6" (7.25")

- B = Brass
- S = 304SS
- SS = 316SS

SWN = Class W Socket Weld

- 2 = 2" (3 5/16")
- 4 = 4" (5 5/16")
- 6 = 6" (7 5/16")

SS = 316SS



## BIMETAL RANGE CODES

FAHRENHEIT RANGES		
Code	°F Range	Div.
F03	-100/100	2
F05	-100/200	2
F07	-80/120	2
F11	-70/150	2
F19	-50/300	5
F21 <sup>†</sup>	-40/120	2
F23	-40/160	2
F25	-40/180	2
F26	-40/200	2
F27 <sup>‡</sup>	-40/70	1
F31 <sup>†</sup>	-20/120	2
F33	-20/425	5
F35 <sup>‡</sup>	0/100	1
F37 <sup>†</sup>	0/140	2
F39 <sup>†</sup>	0/150	1
F43	0/200	2
F45	0/220	2
F47	0/250	2
F49	0/300	2
F50	0/500	5
F51	0/600	10
F53	20/240	2
F55 <sup>‡</sup>	25/125	1
F57 <sup>‡</sup>	30/130	1
F63	50/300	2
F65	50/400	5
F67	50/500	5
F69	50/550	5
F71	50/650	10
F73	50/750	10
F78	100/600	5
F79	100/800	10
F81	150/750	10
F82	200/700	20
F83	200/300	2
F84	100/900	5
F85	200/1000	10
F89	250/600	5
F91	300/400	2

CELSIUS RANGES		
Code	°C Range	Div.
C01	-80/220	2
C03	-70/70	2
C06	-70/30	1
C07	-50/50	1
C08	-60/120	2
C09 <sup>‡</sup>	-50/0	1
C15	-50/100	2
C17	-50/200	2
C19	-40/160	2
C20	-60/300	5
C23	-40/70	1
C24	-40/350	5
C27 <sup>‡</sup>	-30/30	1
C31 <sup>†</sup>	-20/40	1
C32	-20/60	
C33	-20/220	2
C34	-20/320	5
C35 <sup>‡</sup>	0/30	.5
C37 <sup>‡</sup>	0/60	1
C38 <sup>†</sup>	0/80	
C43	0/100	1
C47	-20/120	2
C53	-10/110	1
C55 <sup>‡</sup>	0/50	.5
C56	0/120	1
C59	0/150	1
C60	50/150	
C61	0/160	2
C63	10/150	2
C65	0/200	2
C67	0/250	2
C69	0/300	2
C71	0/300	5
C73	0/400	5
C74	0/450	5
C75	0/500	5
C79	50/450	5
C81	50/400	5
C85	100/500	5
C87	100/550	5

DUAL RANGES	
Code	°F & °C Range
D01	-150/400 & 100/200
D03	-100/100 & -70/40
D07	-80/120 & -60/50
D15	-50/210 & -50/100
D19	-50/300 & -40/160
D23	-40/160 & -40/70
D37 <sup>†</sup>	0/140 & -15/60
D39 <sup>†</sup>	0/150 & -20/65
D41 <sup>†</sup>	0/160 & -15/70
D43	0/200 & -10/90
D45	0/220 & -10/100
D47	0/250 & -20/120
D49	0/300 & -10/150
D53	20/240 & -10/115
D55 <sup>‡</sup>	25/125 & -5/50
D63	50/300 & 10/150
D65	50/400 & 10/200
D67	50/500 & 10/260
D69	50/550 & 10/290
D77	100/450 & 40/230
D79	100/800 & 40/400
D81	150/750 & 70/400
D85	200/1000 & 100/500
D87	200/1000 & 100/550

‡ Minimum stem length is 4".

† For 2.5" stem, all bottom connect and all-angle models require adapter P/N AD22S.