

Model Q45H/64

External DC Power Dissolved Ozone Transmitter

Home Office

Analytical Technology, Inc.
6 Iron Bridge Drive
Collegeville, PA19426

Ph: 800-959-0299
610-917-0991

Fax: 610-917-0992

Email: sales@analyticaltechnology.com

European Office

ATI (UK) Limited
Unit 1 & 2 GateheadBusinessPark
Delph New Road, Delph
Saddleworth OL3 5DE

Ph: +44 (0)1457-873-318

Fax: + 44 (0)1457-874-468

Email: sales@atiuk.com

PRODUCT WARRANTY

Analytical Technology, Inc. (Manufacturer) warrants to the Customer that if any part(s) of the Manufacturer's products proves to be defective in materials or workmanship within the earlier of 18 months of the date of shipment or 12 months of the date of start-up, such defective parts will be repaired or replaced free of charge. Inspection and repairs to products thought to be defective within the warranty period will be completed at the Manufacturer's facilities in Collegetown, PA. Products on which warranty repairs are required shall be shipped freight prepaid to the Manufacturer. The product(s) will be returned freight prepaid and allowed if it is determined by the manufacturer that the part(s) failed due to defective materials or workmanship.

This warranty does not cover consumable items, batteries, or wear items subject to periodic replacement including lamps and fuses.

Gas sensors, except oxygen sensors, are covered by this warranty, but are subject to inspection for evidence of extended exposure to excessive gas concentrations. Should inspection indicate that sensors have been expended rather than failed prematurely, the warranty shall not apply.

The Manufacturer assumes no liability for consequential damages of any kind, and the buyer by acceptance of this equipment will assume all liability for the consequences of its use or misuse by the Customer, his employees, or others. A defect within the meaning of this warranty is any part of any piece of a Manufacturer's product which shall, when such part is capable of being renewed, repaired, or replaced, operate to condemn such piece of equipment.

This warranty is in lieu of all other warranties (including without limiting the generality of the foregoing warranties of merchantability and fitness for a particular purpose), guarantees, obligations or liabilities expressed or implied by the Manufacturer or its representatives and by statute or rule of law.

This warranty is void if the Manufacturer's product(s) has been subject to misuse or abuse, or has not been operated or stored in accordance with instructions, or if the serial number has been removed.

Analytical Technology, Inc. makes no other warranty expressed or implied except as stated above.

Table of Contents

PART 1 - INTRODUCTION	4	PART 7 – CALIBRATION	46
1.1 General.....	4	7.1 Ozone Calibration.....	46
1.2 Standard System	5	7.11 Ozone ZeroCal.....	46
1.3 Features.....	8	7.12 Ozone Span Cal	47
1.4 Q45H/64 System Specifications	9	7.2 Temperature Calibration	49
1.5 Q45H Performance Specifications.....	10	7.3 pH Calibration.....	50
PART 2 – ANALYZER MOUNTING	11	7.31 Two-Point pH Cal.....	51
2.1 General.....	11	7.32 One-Point pH Cal.....	52
2.2 Wall or Pipe Mount.....	13	PART 8 – SYSTEM MAINTENANCE.....	53
PART 3 – SENSOR/FLOWCELL MOUNTING	15	8.1 General.....	53
3.1 General.....	15	8.2 Analyzer Maintenance	53
3.2 Constant-Head Flowcell.....	15	8.3 Ozone Sensor Maintenance.....	53
3.3 Sealed Flowcell.....	16	8.4 Sensor Acid Cleaning	54
3.4 Submersion Mounting.....	18	8.5 Q22P Sensor Cleaning	55
PART 4 – ELECTRICAL INSTALLATION.....	19	8.6 Replacing the Saltbridge and Reference Buffer Solution	56
4.1 General.....	19	8.7 Flow Cell Maintenance	57
4.2 External Power.....	19	PART 9 – TROUBLESHOOTING	58
4.3 Voltage Outputs	22	9.1 General.....	58
4.4 Sensor Wiring	22	9.2 External Sources of Problems	58
4.5 Direct Sensor Connection	22	9.3 Analyzer Tests	59
4.6 Junction Box Connection.....	23	9.4 Display Messages	60
4.7 Optional pH Sensor Input	25	9.5 Sensor Tests	62
PART 5 – SENSOR ASSEMBLY.....	28	9.6 Troubleshooting (Q22P Sensor).....	64
5.1 Ozone Sensor Preparation.....	28	SPARE PARTS	65
5.2 Optional pH Sensor.....	30	SPARE PARTS CONT'D	66
PART 6 – CONFIGURATION.....	31		
6.1 User Interface.....	31		
6.11 Keys	32		
6.12 Display.....	32		
6.2 Software	34		
6.21 Software Navigation	34		
6.22 Measure Menu [MEASURE].....	37		
6.23 Calibration Menu [CAL].....	38		
6.24 Configuration Menu [CONFIG]	39		
6.25 Control Menu [CONTROL]	43		
6.26 Diagnostics Menu [DIAG].....	43		

Table of Figures

FIGURE 1 - TYPICAL OZONE MONITORING SYSTEM	5
FIGURE 2 - OZONE MONITORING SYSTEM W/BAYONET STYLE PH SNSOR.....	6
FIGURE 3 - SEALED FLOWCELL ASSEMBLIES W/FLOW CONTROL.....	7
FIGURE 4 - Q45 ENCLOSURE DIMENSIONS	12
FIGURE 5 - WALL OR PIPE MOUNT BRACKET.....	13
FIGURE 6 - WALL MOUNTING DIAGRAM	14
FIGURE 7 - PIPE MOUNTING DIAGRAM.....	14
FIGURE 8 - CONSTANT HEAD FLOWCELL DETAILS.....	15
FIGURE 9 - SEALED FLOWCELL DETAILS.....	16
FIGURE 10 - SEALED PH FLOWCELL DETAILS	17
FIGURE 11 - SUBMERSIBLE SENSOR MOUNTING ASSEMBLY	18
FIGURE 12 - LOOP POWER SENSOR CONNECTION.....	20
FIGURE 13 - EXTERNAL POWER BOARD	22
FIGURE 14 - SENSOR CABLE PREPARATION	23
FIGURE 15 - JUNCTION BOX INTERCONNECT WIRING	24
FIGURE 16 - OPTIONAL PH SENSOR CONNECTION	26
FIGURE 17 - OPTIONAL PH SENSOR CONN. W/JUNCTION BOX	27
FIGURE 18 - OZONE SENSOR ASSEMBLY	28
FIGURE 19 - SUBMERSIBLE OZONE SENSOR ASSEMBLY.....	29
FIGURE 20 - USER INTERFACE.....	31
FIGURE 21 - SOFTWARE MAP.....	36
FIGURE 22 - AUTOMATIC PH BUFFER TABLES.....	42
FIGURE 24 - REPLACING THE SALTBRIDGE AND REFERENCE BUFFER	56
FIGURE 25 - Q45H DISPLAY MESSAGES	60
FIGURE 26 - DISPLAY MESSAGES (CONTINUED)	61
FIGURE 27 - PT100 RTD TABLE	63

Part 1 - Introduction

1.1 General

The Model Q45H/64 is a highly versatile on-line monitoring system designed for the continuous measurement of dissolved ozone in solution. The full scale operating range of the system may be selected by the user for 0-200.0 ppb, 0-2.000 ppm, 0-20.00 ppm, or 0-200.0 ppm, and the sensing system will operate on water streams with temperatures ranging from 0 to 55°C. The Q45H/64 Dissolved Ozone Measurement System is well suited for potable water systems, bottled water operations, high purity water systems, or ozonated cooling water.

The basic sensing element used in the dissolved ozone monitor is a polarographic membrane sensor which measures ozone directly. Water simply flows past the sensor and directly to drain, with the flow rate and pressure across the sensor controlled by a constant head flow cell assembly. The ozone measurement does not alter the sample or add any chemicals to the sample stream, so the water flow can return to the system if desired.

Q45H/64 Monitors are available in three electronic versions, a loop-powered 2-wire transmitter, a dual "AA" battery operated portable unit with two voltage outputs, and a 5-17 VDC Externally powered unit with two voltage outputs. This manual refers to the 5-17VDC External Power Transmitter version.

In addition to normal ozone measurement, the Q45H/64 is also available with an optional pH input which provides a two-parameter monitoring system. Both ozone and pH are displayed simultaneously, and the ozone value is automatically compensated for pH changes.

1.2 Standard System

The standard model Q45H/64 system includes three main components, the Q45H analyzer, a constant head flow cell, and an ozone sensor. A low-volume flowcell is also available for applications where sample flowrate and pressure can be carefully controlled. Figure 1 shows a typical installation including the optional pH sensor.

For connection of the sensor to the electronics, a 25' cable is supplied. An additional 100 feet of interconnect cable may be added using #07-0100 junction box. All required spare parts are also provided with the basic system, including spare membranes, electrolyte, o-rings, and any special hardware.

Note: Standard 25 ft. sensor cables for both ozone and optional pH sensors can be cut to a shorter length. Cutting the cables will not affect performance, and elimination of extra cable can sometimes eliminate electrical noise pickup through the cables.

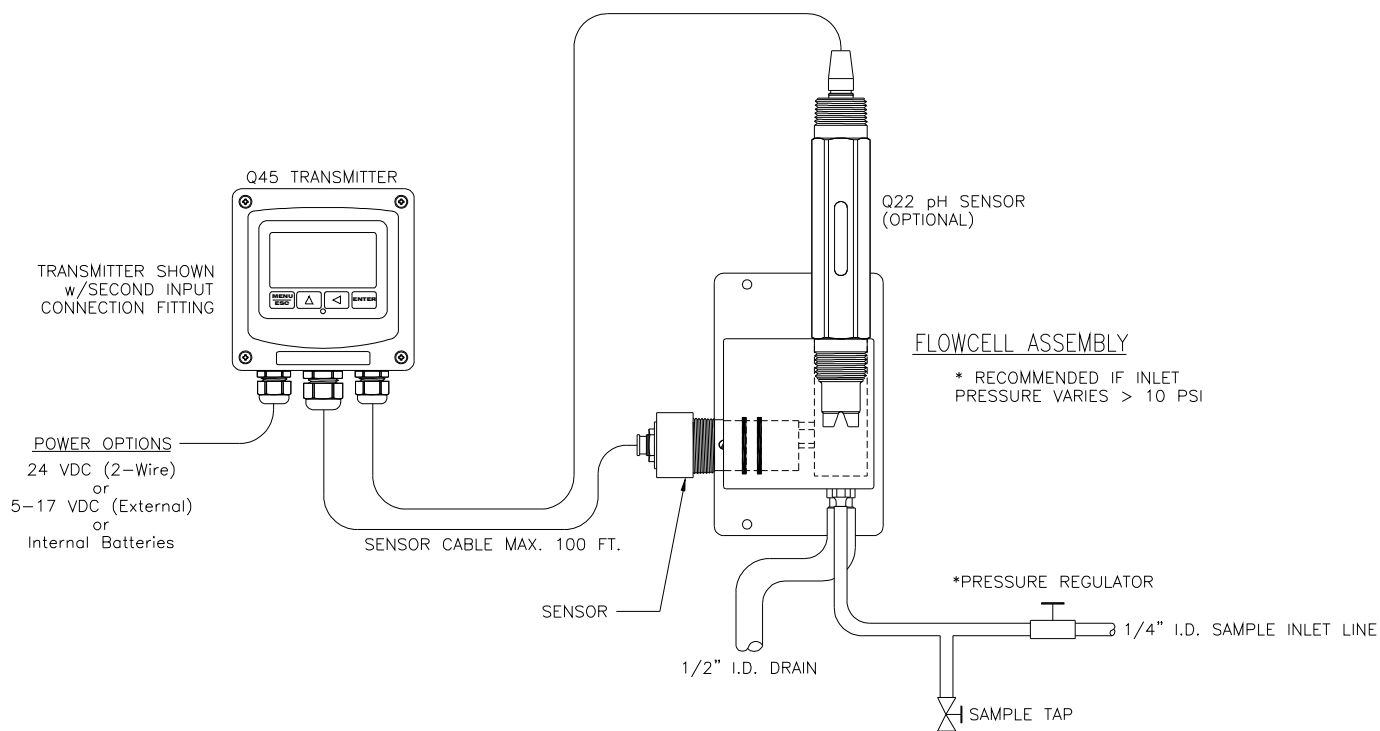


Figure 1 - Typical Ozone Monitoring System

Figure 2 below shows the same standard flowcell assembly and ozone sensor along with the conventional type pH sensor. A special adapter is required to hold the pH sensor in its proper location in the flowcell inlet chamber.

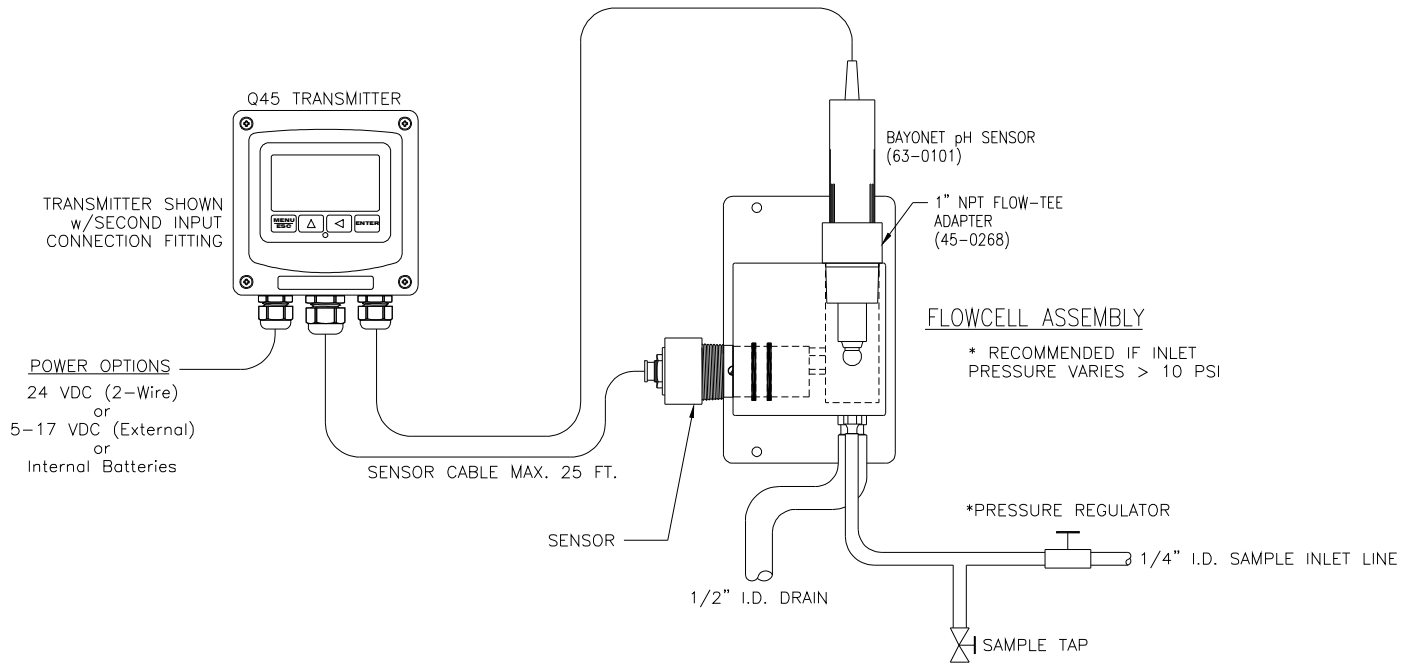


Figure 2 - Ozone Monitoring System w/Bayonet Style pH Snsor

Figure 3 below shows an installation using a 00-1522 sealed flowcell for the ozone sensor and a 00-1527 sealed flowcell for the pH sensor. This type of installation requires careful flow control. We recommend the use of our 03-0371 flow control assembly when using sealed flowcells. This assembly consists of an in-line filter and a fixed-flow regulator which will maintain a constant 400 cc/min flowrate through the system. This flow will be maintained so long as inlet pressures are between 5 and 125 PSIG. The in-line filter is used mainly to protect the flow control element against larger particles that might cause plugging of the device.

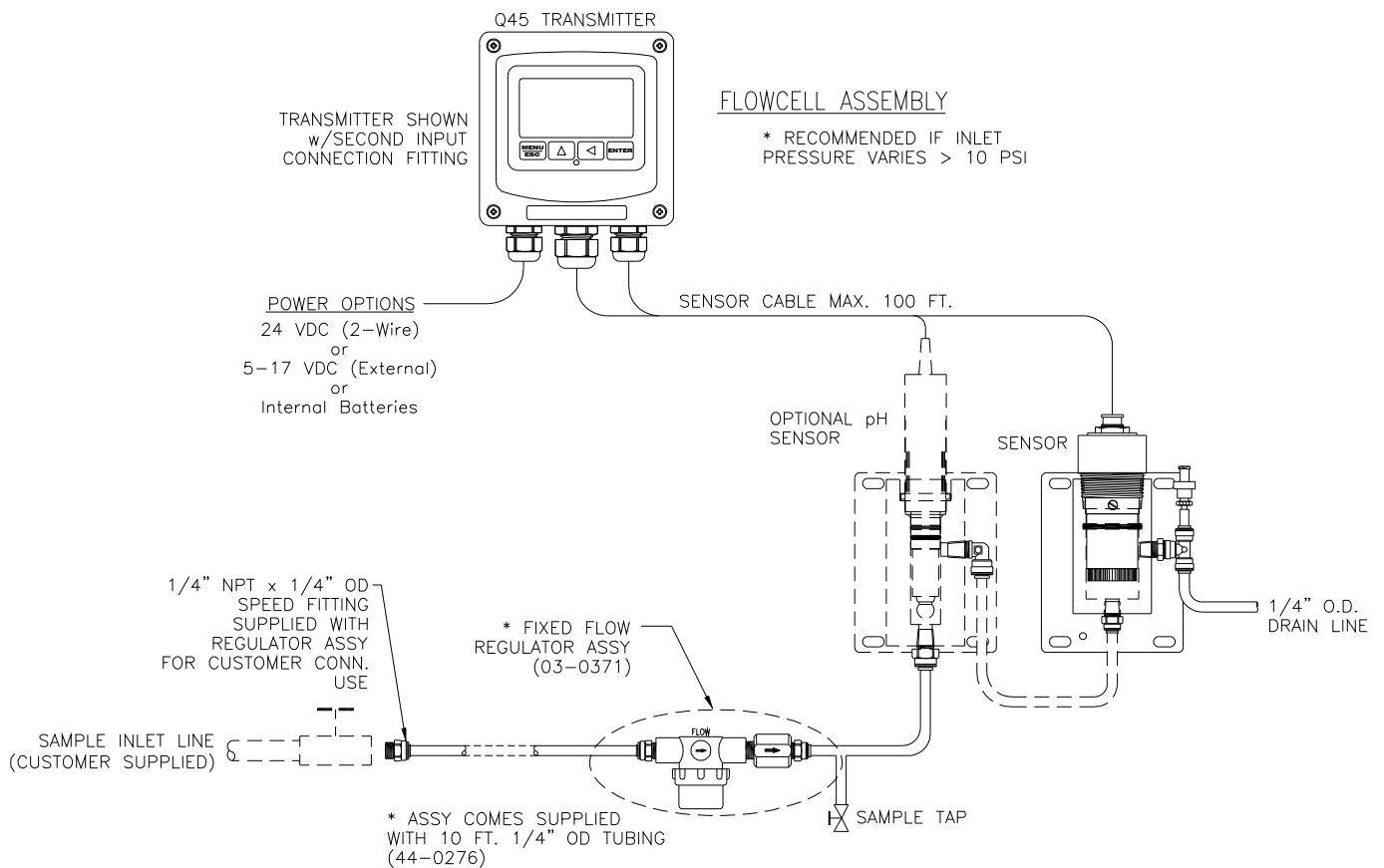


Figure 3 - Sealed Flowcell Assemblies w/Flow Control

1.3 Features

- Standard Q45H/64 electronic transmitters are designed to be a fully isolated, externally powered for VDC applications.
- High accuracy, high sensitivity system, measures from 0.1 ppb to 200.0 ppm through 4 internal automatic ranges. User ranges of 200.0 ppb, 2.000 ppm, 20.00 ppm, or 200.0 ppm.
- Output Hold, Output Simulate, Output Alarm, and Output Delay Functions. All forced changes in output condition include bumpless transfer to provide gradual return to on-line signal levels and to avoid system control shocks on both analog outputs.
- Optional pH sensor feature enables active pH measurement with the Q45H/64 monitor. The pH reading can also be sent to one of the analog outputs for complete pH + ozone monitoring.
- Selectable Output Fail Alarm feature on Relay B allows system diagnostic failures to be sent to external monitoring systems.
- Large, high contrast, custom Super-Twist display provides excellent readability even in low light conditions. The secondary line of display utilizes 5x7 dot matrix characters for clear message display Two of four measured parameters may be on the display simultaneously.
- Diagnostic messages provide a clear description of any problem with no confusing error codes to look up. Messages are also included for diagnosing calibration problems.
- Quick and easy one-point calibration method and sensor zero-cal. To provide high accuracy, all calibration methods include stability monitors that check temperature and main parameter stability before accepting data.
- High accuracy three-wire Pt100 temperature input. Temperature element can be user calibrated.
- Security lock feature to prevent unauthorized tampering with transmitter settings. All settings can be viewed while locked, but they cannot be changed.

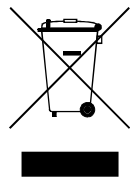
1.4 Q45H/64 System Specifications

Displayed Parameters	Main input, 0.1 ppb (0.0001 ppm) to 200.0 ppm Sensor temperature, -10.0 to 55.0 °C (23 to 131 °F) Sensor Current, 0.0–999.9 nA, 0.000 to 99.99 uA Voltage Outputs, 0-2.5V Sensor slope/offset Model number and software version Optional pH Input value.0.00 to 14.00 pH
Main Parameter Ranges	Manual selection of one of the following ranges, 0.000 to 200.0 ppb 0.0 to 2.000 ppm 0.00 to 20.00 ppm 0.00 to 200.0 ppm
Display	0.75" (19.1 mm) high 4-digit main display with sign 12-digit secondary display, 0.3" (7.6 mm) 5x7 dot matrix.
Keypad	4-key membrane type with tactile feedback, polycarbonate with UV coating
Weight	1 lb. (0.45 kg)
Ambient Temperature	Analyzer Service, -20 to 60 °C (-4 to 140 °F) Sensor Service, -5 to 55°C (23 to 131 °F) Storage, -5 to 70 °C (-22 to 158 °F)
Ambient Humidity	0 to 95%, indoor/outdoor use, non-condensing to rated ambient temperature range
Altitude	Maximum 2000 m (6562 Ft.)
Electrical Certification	Ordinary Location, cCSAus (CSA and UL standards - both approved by CSA), pollution degree 2, installation category 2
EMI/RFI Influence	Designed to EN 61326-1
Output Isolation	600 V galvanic isolation
Temperature Input	Pt100 RTD with automatic compensation
Sensor	2-electrode polarographic membrane sensor for direct measurement of ozone,

Sensor Materials	PVC and stainless steel
Sensor Cable	25 ft. (7.5 meter) cable with 6-pin plug.
Max. Sensor-to-Analyzer Distance	100 feet (30.5 meters), with junction box
Optional pH Input	0-14 pH corresponding to approx. 0.3 – 1.5 VDC
Flow Cell	Constant head overflow, clear cast acrylic, 7-30 GPH, 15 GPH recommended, inlet is 1/4" hose barb at 1/8" MNPT, outlet is 1/2" hose barb at 3/8" MNPT
Power	5-17 VDC
Enclosure:	NEMA 4X, polycarbonate, stainless steel hardware, weatherproof and corrosion resistant, HWD: 4.4" (112 mm) x 4.4" (112 mm) x 3.5" (89 mm)
Mounting Options	Wall or pipe mount bracket standard. Bracket suitable for either 1.5" or 2" I.D. U-Bolts for pipe mounting.
Conduit Openings	Two PG-9 openings with gland seals
DC Cable Type	Belden twisted-pair, shielded, 22 gauge or larger

1.5 Q45H Performance Specifications

Accuracy	0.5% of selected range or 0.01 PPM
Repeatability	0.3% of selected range or 0.01 PPM
Sensitivity	0.05% of selected range
Non-linearity	0.1% of selected range
Warm-up Time	3 seconds to rated performance (electronics only)
Supply Voltage Effects	± 0.05% span
Instrument Response Time	60 seconds to 90% of step input at lowest damping



Equipment bearing this marking may not be discarded by traditional methods in the European community after August 12 2005 per EU Directive 2002/96/EC. End users must return old equipment to the manufacturer for proper disposal.

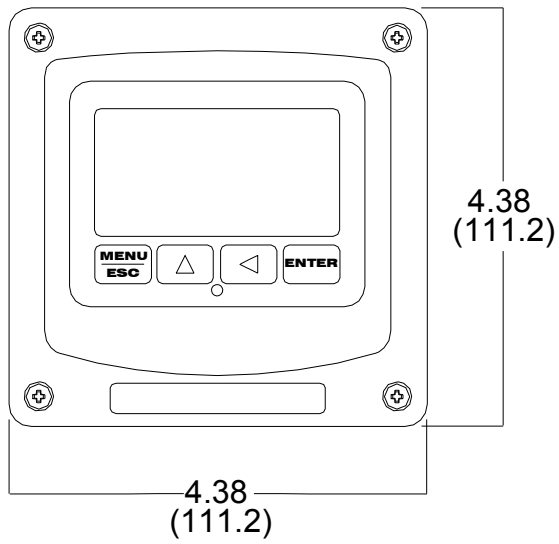
Part 2 – Analyzer Mounting

2.1 General

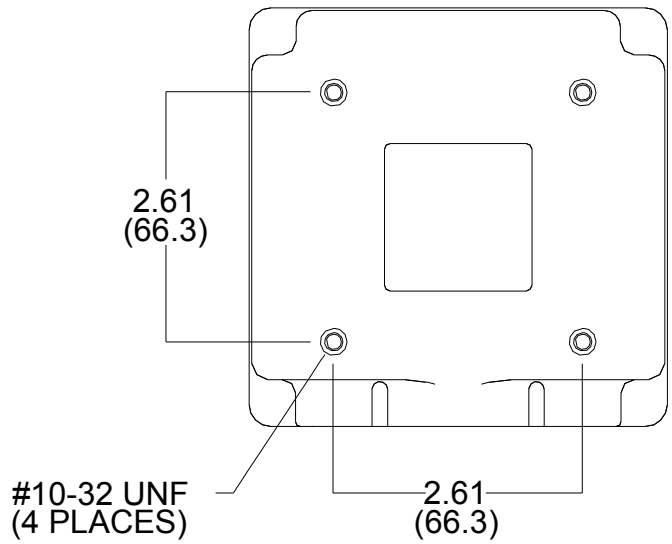
All Q45 Series instruments offer maximum mounting flexibility. A bracket is included with each unit that allows mounting to walls or pipes. In all cases, choose a location that is readily accessible for calibrations. Also consider that it may be necessary to utilize a location where solutions can be used during the calibration process. To take full advantage of the high contrast display, mount the instrument in a location where the display can be viewed from various angles and long distances.

Locate the instrument in close proximity to the point of sensor installation - this will allow easy access during calibration. The sensor-to-instrument distance should not exceed 100 feet. To maximize signal-to-noise ratio however, work with the shortest sensor cable possible. The standard cable length of the ozone sensor is 25 feet.

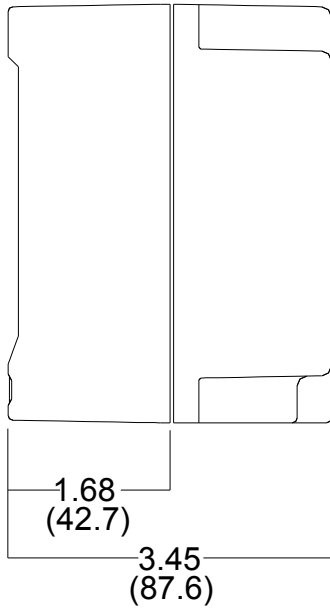
Refer to Figures 6 and 7 for mounting diagrams for each option



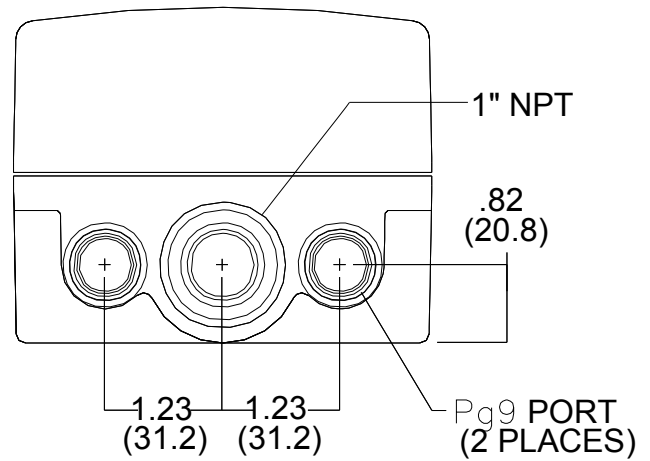
FRONT VIEW



BACK VIEW



SIDE VIEW



BOTTOM VIEW

Figure 4 - Q45 Enclosure Dimensions

2.2 Wall or Pipe Mount

A PVC mounting bracket with attachment screws is supplied with each transmitter (see **Error! Reference source not found.** for dimensions). The multi-purpose bracket is attached to the rear of the enclosure using the four flat head screws. The instrument is then attached to the wall using the four outer mounting holes in the bracket. These holes are slotted to accommodate two sizes of u-bolt that may be used to pipe mount the unit. Slots will accommodate u-bolts designed for 1½ " or 2" pipe. The actual center to center dimensions for the u-bolts are shown in the drawing. Note that these slots are for u-bolts with ¼-20 threads. The 1½" pipe u-bolt (2" I.D. clearance) is available from ATI in type 304 stainless steel under part number (47-0005).

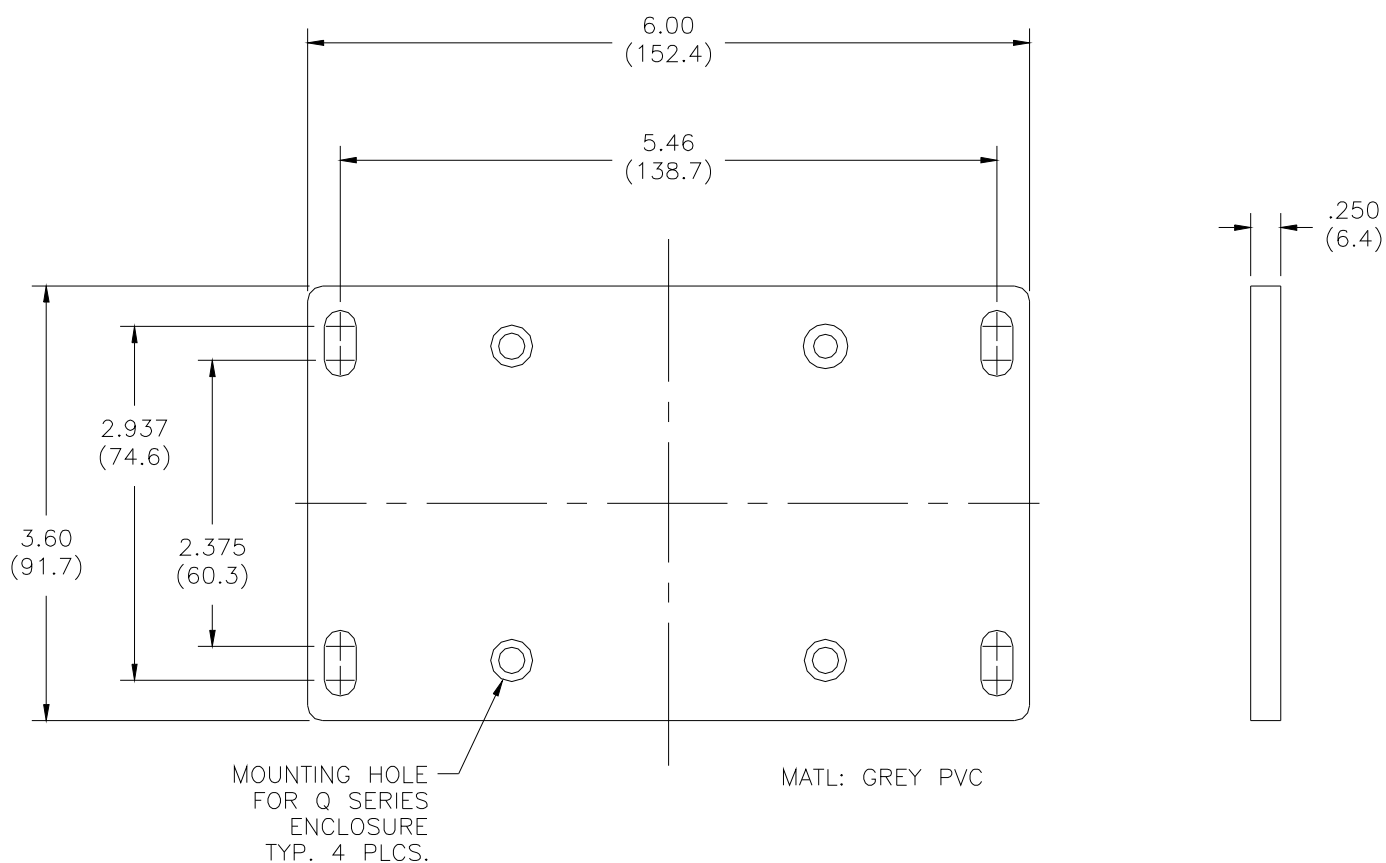


Figure 5 - Wall or Pipe mount Bracket

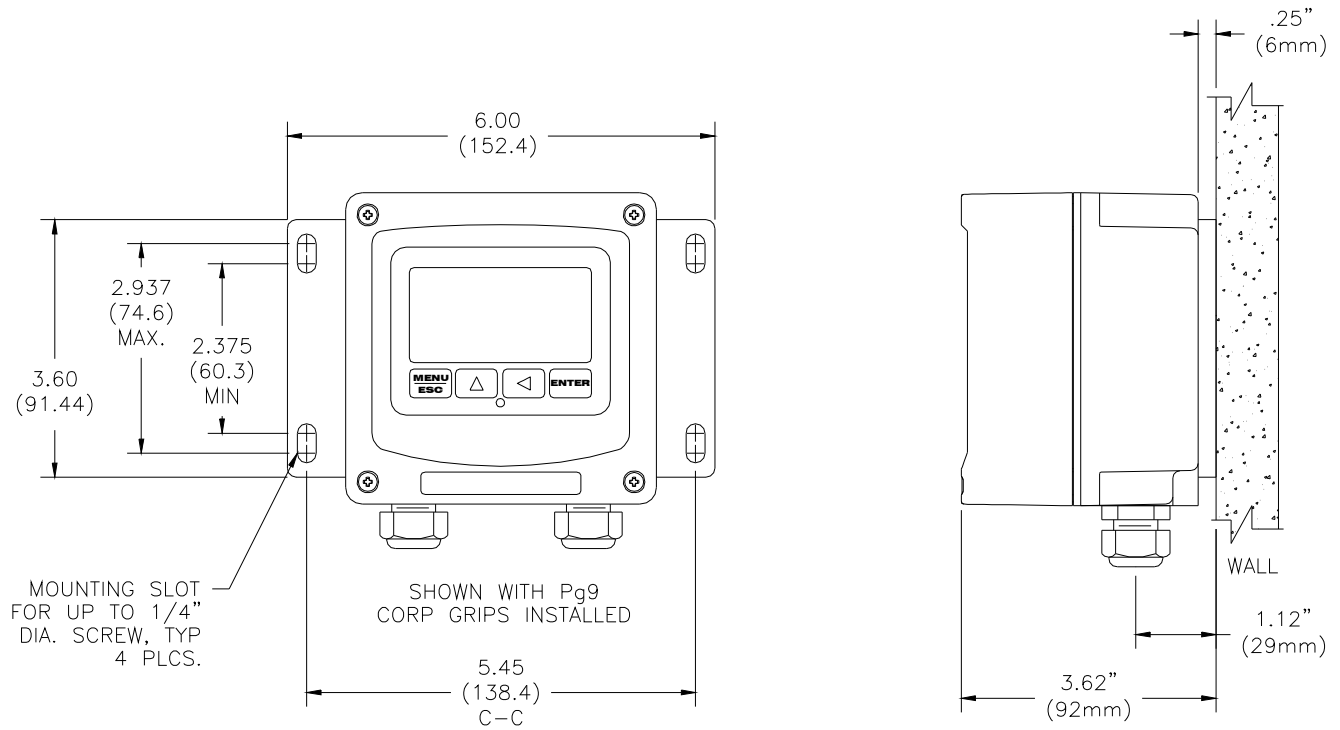


Figure 6 - Wall Mounting Diagram

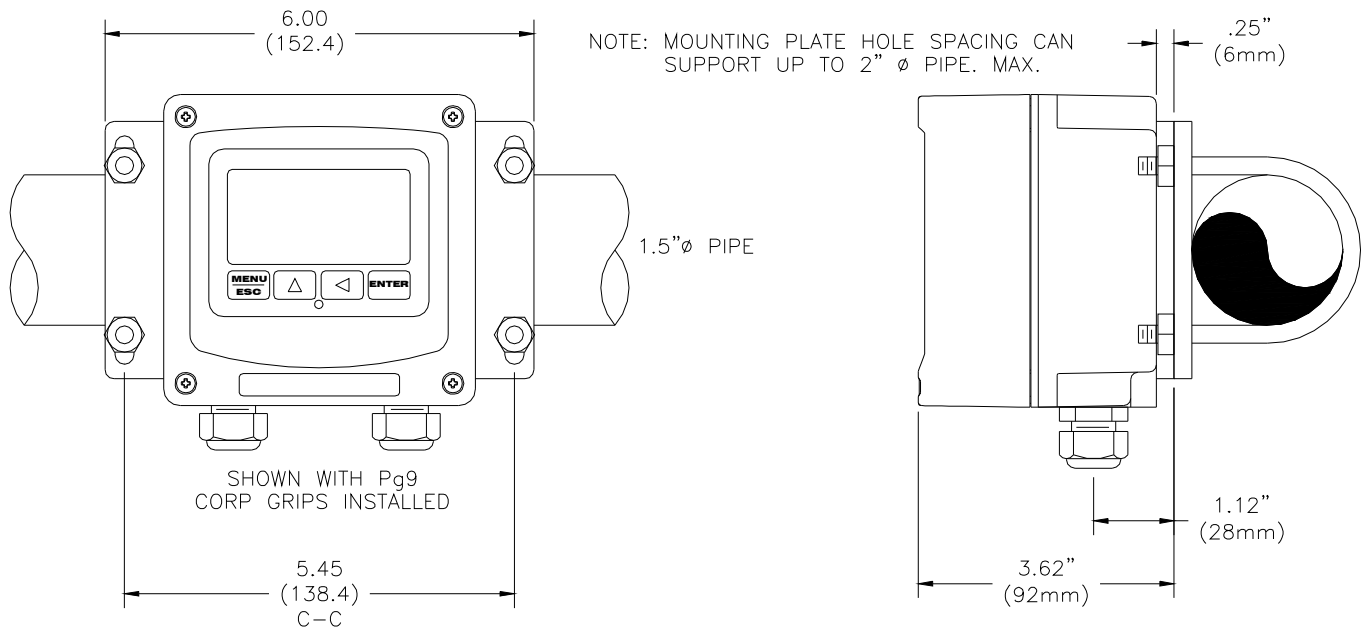


Figure 7 - Pipe Mounting Diagram

Part 3 – Sensor/Flowcell Mounting

3.1 General

Select a location within the maximum sensor cable length for mounting of the sensor flow cell.

3.2 Constant-Head Flowcell

Ozone sensors are best used in a constant-head overflow chamber because variations in sample flow rate and pressure can cause unstable readings. When monitoring low concentrations (below 0.5 PPM), this method should always be used.

Mechanical installation of the flow cell requires that it be mounted to a wall or other convenient flat surface. Alternatively, the mounting holes on the plate will accommodate a 2" U-bolt for mounting the plate to a 2" pipe. Figure 8 shows the dimensions and mounting hole locations for the flow cell. Be sure to allow enough clearance on the left side of the flow cell for insertion and removal of the sensor. About 12 inches clearance is recommended.

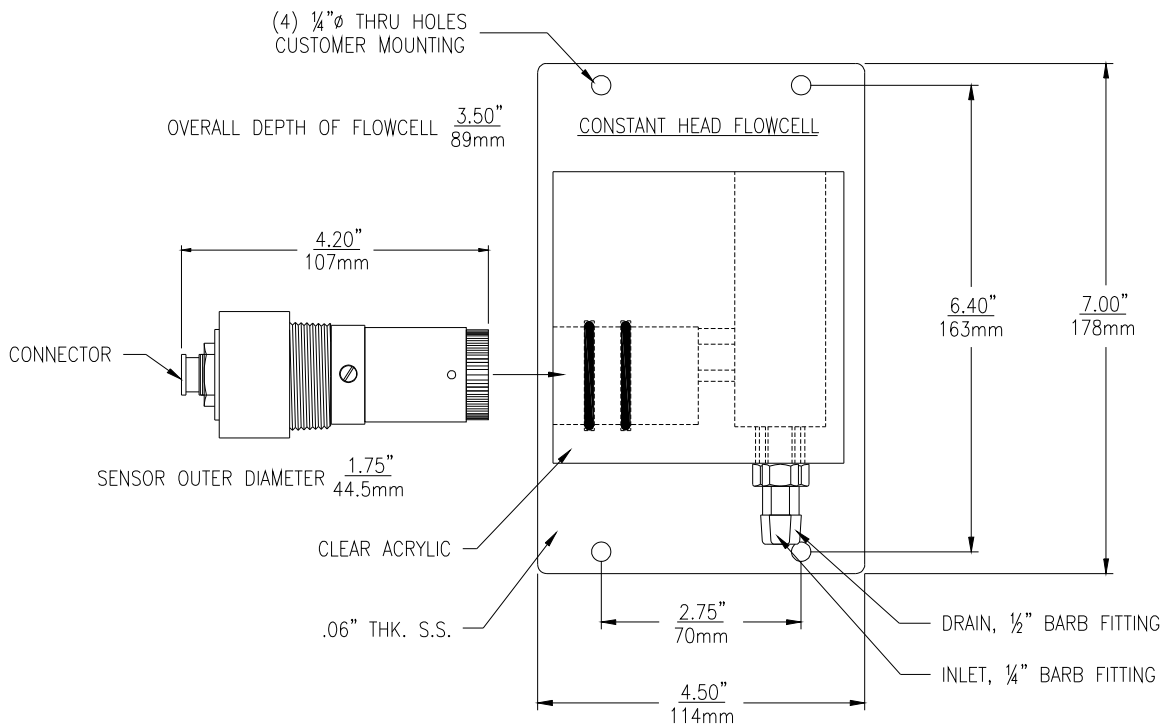


Figure 8 - Constant Head Flowcell Details

Once mounted, inlet and drain connections must be made. The flow cell contains a 1/8" MNPT inlet connection and a 3/8" MNPT drain connection. Hose barbs for the inlet and drain connections are supplied with the flow cell for use with flexible tubing. The inlet hose barb is used with 1/4" I.D. tubing and the drain hose barb is used with 1/2" I.D. tubing.

3.3 Sealed Flowcell

Applications where the sample inlet flow is well controlled can use a simpler sealed flowcell. Using this flowcell requires that flow be controlled externally to about 400 cc/min. Variable flow rate or variable pressure will cause unstable readings in this flowcell. ATI offers a special flow control element that can be used ahead of this flowcell on the incoming sample line. The flow control is part no. (55-0048). It will control the inlet flowrate at 400 cc/min. with inlet pressure variations from 5-150 PSIG. A 50 micron y-strainer ahead of the flow control element is recommended. The sealed flowcell provides a drain vent with check valve to avoid pulling a vacuum on the flow chamber.

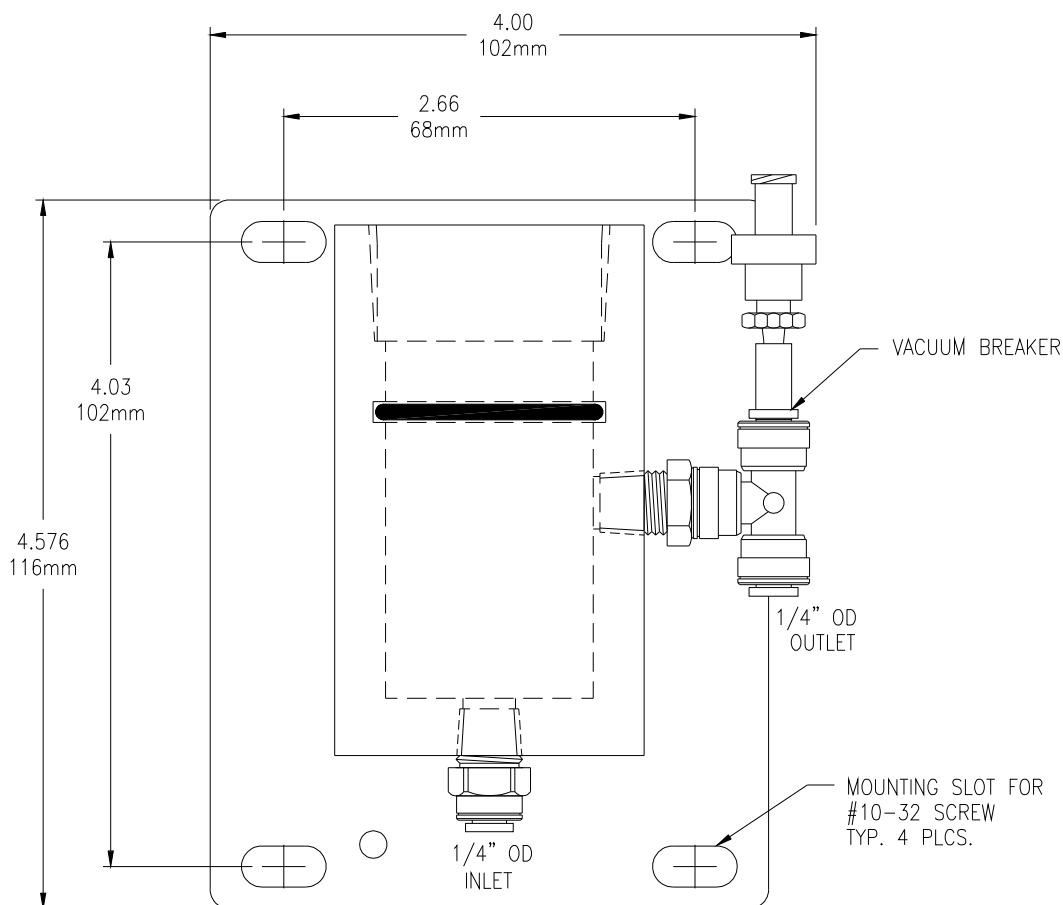


Figure 9 - Sealed Flowcell Details

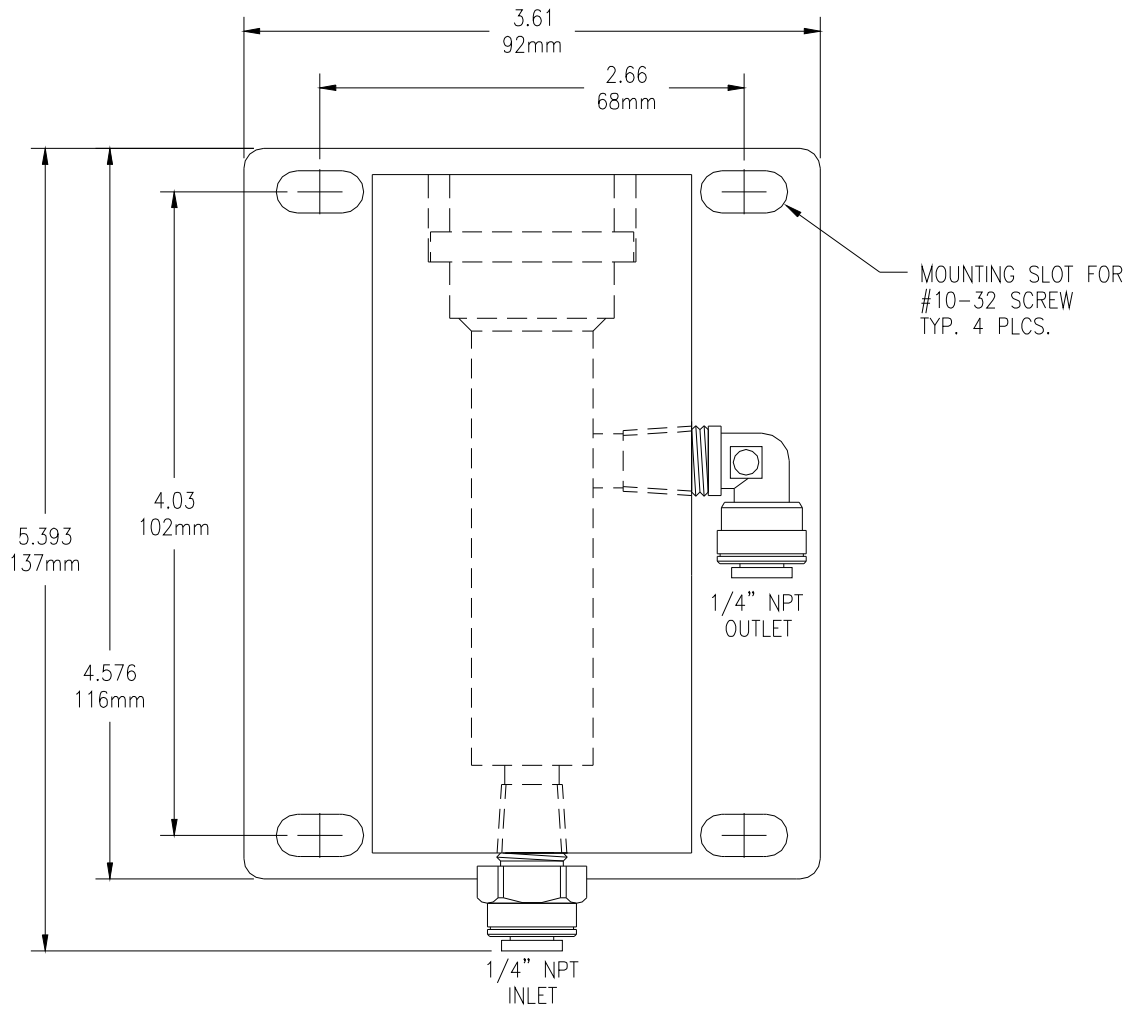


Figure 10 - Sealed pH Flowcell Details

3.4 Submersion Mounting

Some applications are much easier done using the submersible sensor. This method can sometimes be used where flow is reasonably constant, and hydraulic head does not vary appreciably. Ozone sensors can never be used in completely stagnant conditions. A flow velocity of at least 0.3 feet per second is normally required for measurement. Any applications for a submersible ozone sensor should first be discussed with ATI. A trial of such installations may be necessary.

Submersible sensors are mounted to a 1" pipe using a standard 1" PVC thread by thread pipe coupling. The mounting pipe can be secured to standard 1½" pipe rail using a mounting bracket kit available from ATI (part number 00-0628) as shown in Figure 11 - Submersible Sensor Mounting Assembly

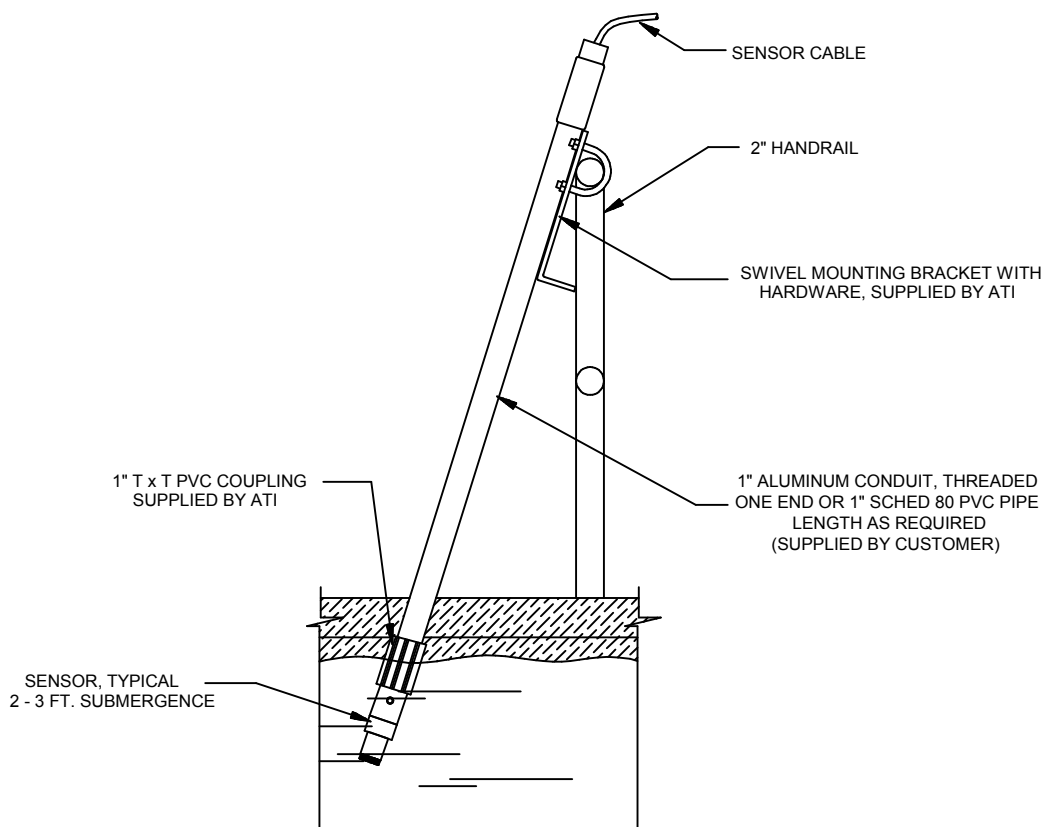


Figure 11 - Submersible Sensor Mounting Assembly

Part 4 – Electrical Installation

4.1 General

The Q45H/64, 5-17 VDC Externally Powered Transmitter is designed for low power operation for solar power applications. Please verify the type of unit before connecting any power.

WARNING: Do not connect AC line power to the PCB module. Severe damage will result.

Important Notes:

1. Use wiring practices that conform to all national, state and local electrical codes. For proper safety as well as stable measuring performance, it is important that the earth ground connection be made to a solid ground point from terminal 15 (Figure 12.)
2. Do NOT run sensor cables or instrument 4-20 mA output wiring in the same conduit that contains AC power wiring. AC power wiring should be run in a dedicated conduit to prevent electrical noise from coupling with the instrumentation signals.
3. This analyzer must be installed by specifically trained personnel in accordance with relevant local codes and instructions contained in this operating manual. Observe the analyzer's technical specifications and input ratings.

4.2 External Power

Q45H units ordered with the external connection option are designed for applications where power is to be supplied from an external source, and the two voltage outputs are to be wired to an external device. Figure 12 identifies the terminal connections for external powers.

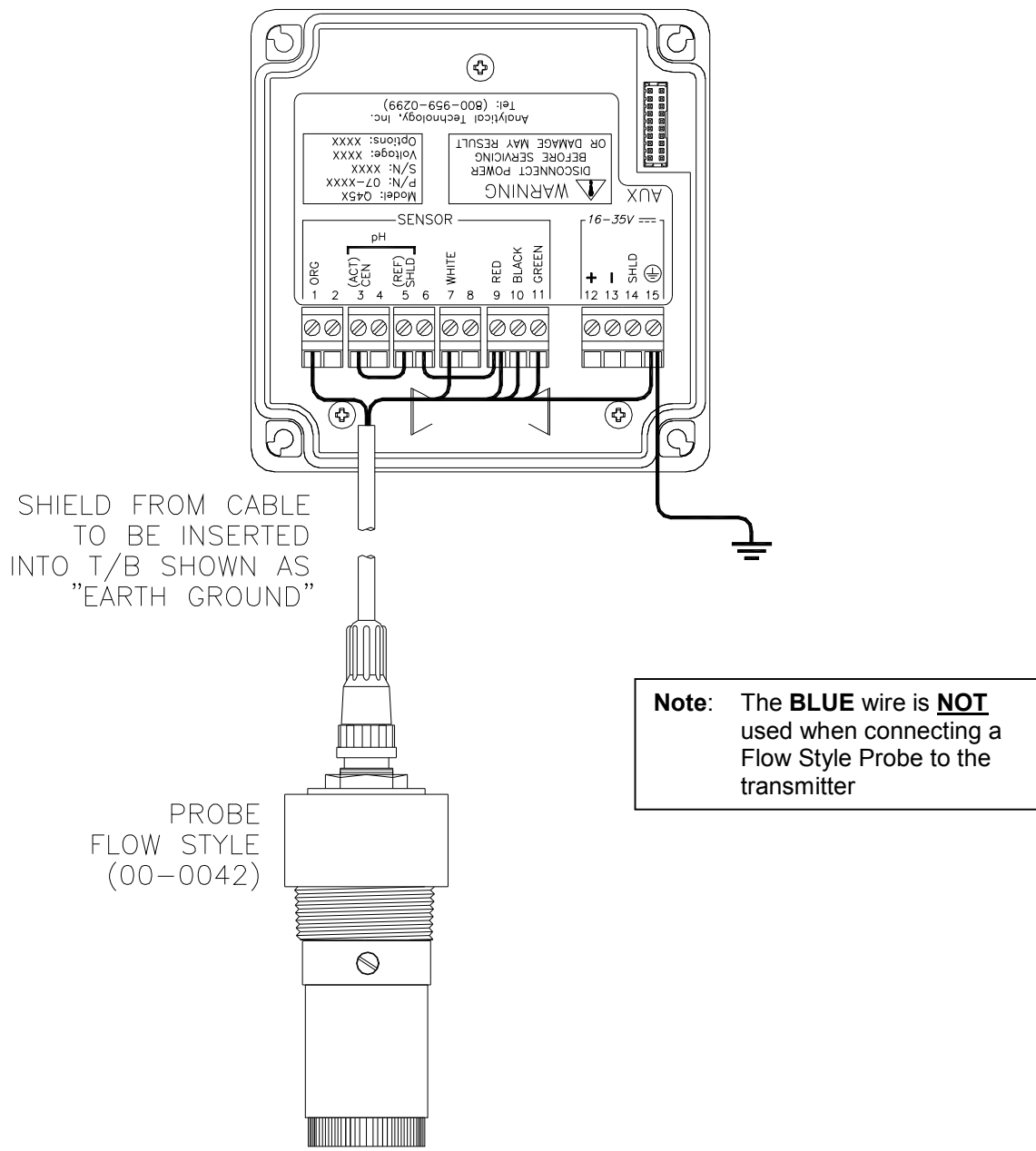


Figure 12 - Sensor Connection

Note: Earth ground into Terminal 15 is **HIGHLY** recommended. This connection can greatly improve stability in electrically noisy environments.

The external power board contains 3 switch assemblies as shown in the drawings.

The first **(S1)** is an On/Off slide switch. This switch must be in the ON position for operation. Turn it to OFF if you do not intend to operate the monitor in the next week or two.

The second switch assembly **(S2)** contains two switches, the one on the left marked LOCK and the one on the right marked MODE. The function of these two slide switches are as follow:

LOCK This switch is used to define how the monitor will turn on and off. This switch is normally in the OFF position. With the lock switch off, the monitor will be turned on manually using the MENU key on the front of the monitor. With the lock switch in the ON position, the monitor will always be on when there is enough power to run the monitor. The ON position is normally used when operating from an external power supply intended for continuous operation.

MODE This switch reserved for Battery Powered Operation. **(No Function when used with External Power Transmitter)**

The third switch assembly is a single slide switch **(S3)** which defines whether the 0-2.5 VDC signals from the monitor are isolated or non-isolated. Output isolation is not required when outputs are connected to a data logging device. However, if the outputs are connected to external devices, putting this switch in the ISO position will protect against possible ground loops. The isolation circuit will slightly increase the power requirement of the monitor.

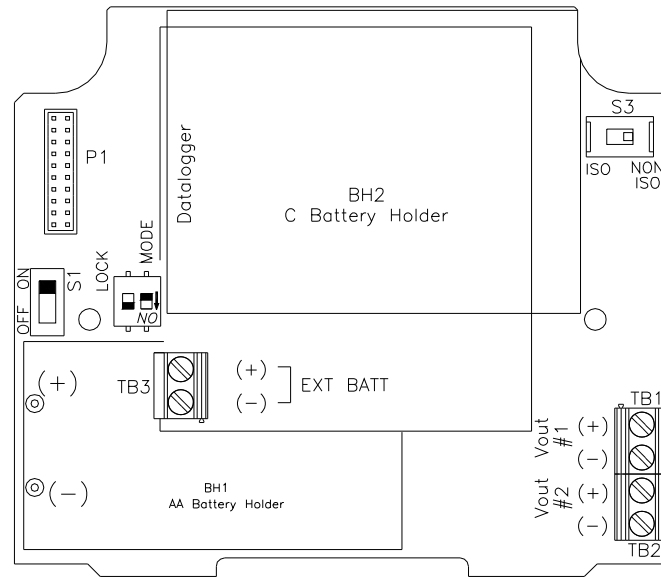


Figure 13 - External Power Board

4.3 Voltage Outputs

There are two sets of analog voltage outputs on the board that may be used to send isolated data back to remotely located recorders, PLC's, etc. Output #1 is used only for dissolved ozone, and Output #2 can be used for either temperature or pH (if the optional pH sensor is used).

4.4 Sensor Wiring

The sensor cable can be quickly connected to the Q45 terminal strip by matching the wire colors on the cable to the color designations on the label in the monitor. **Note that some submersible sensors have a brown wire instead of an orange wire.** If so, connect the brown wire to the terminal marked orange. A junction box is also available to provide a break point for long sensor cable runs. Route signal cable away from AC power lines, adjustable frequency drives, motors, or other noisy electrical signal lines. Do not run sensor or signal cables in conduit that contains AC power lines or motor leads.

4.5 Direct Sensor Connection

Sensor connections are made in accordance with Figure 12 or Figure 15. The sensor cable can be routed into the enclosure through one of cord-grips supplied with the unit. Routing sensor wiring through conduit is only recommended if a junction box is to be used. Some loose cable is needed near the installation point so that the sensor can be inserted and removed easily from the flowcell.

Cord-grips used for sealing the cable should be snugly tightened after electrical connections have been made to prevent moisture incursion. When stripping cables, leave adequate length for connections in the transmitter enclosure as shown below. The standard 25 ft. sensor cable normally supplied with the system is already stripped and ready for wiring. This cable can be cut to a shorter length if desired to remove extra cable in a given installation. Do not cut the cable so short as to make installation and removal of the sensor difficult.

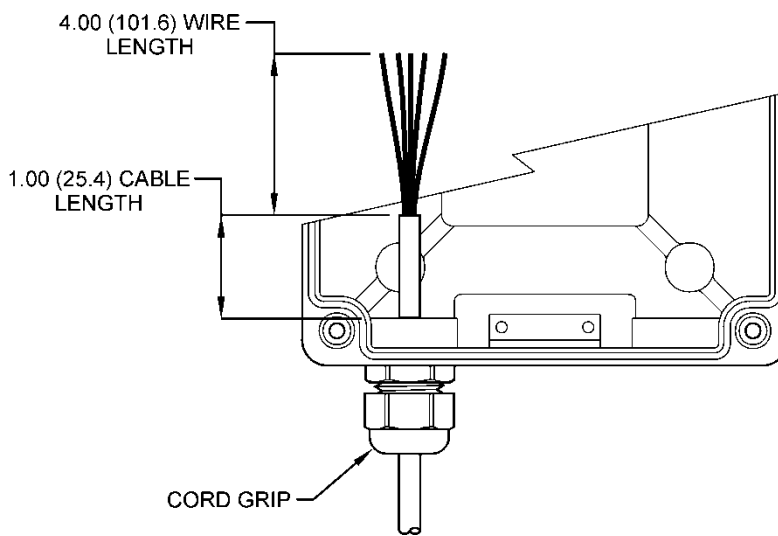


Figure 14 - Sensor Cable Preparation

4.6 Junction Box Connection

For installations where the sensor is to be located more than 25 feet from the monitor (max. 100 feet), a junction box must be used. The junction box is shown in Figure 15, and is supplied with a ½" conduit hub on one end and a sensor cable gland on the other end.

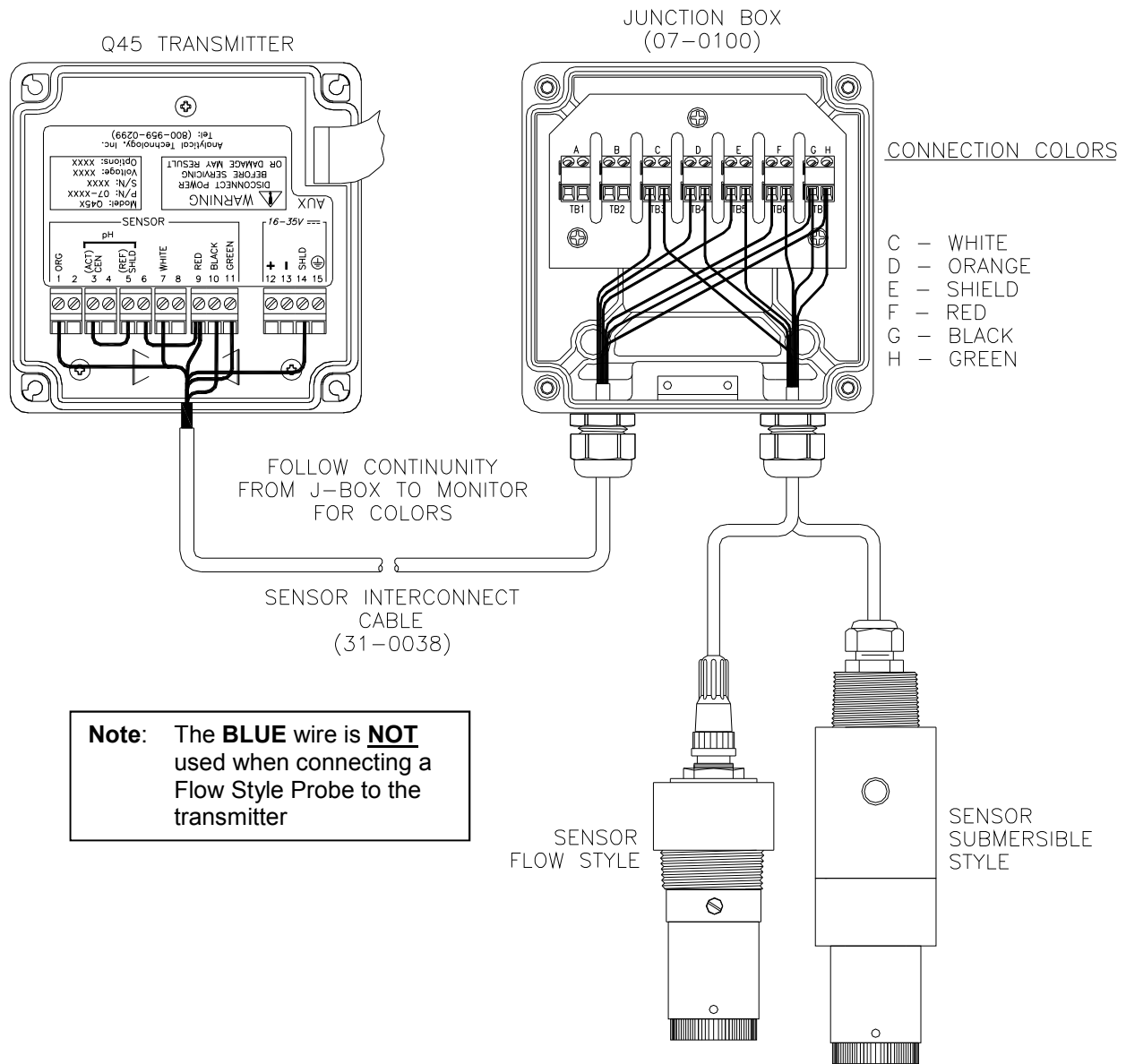


Figure 15 - Junction Box Interconnect Wiring

4.7 Optional pH Sensor Input

The Q45H may be configured for pH compensation to maintain excellent accuracy in applications where the pH can vary. To utilize the feature, a pH sensor must be connected to terminals 3 and 5 as shown in Figure 14. Note that jumpers are installed at the factory between terminals 3 and 5, and terminals 6 and 9. When no pH sensor input is connected, these jumpers reduce the potential for noise pickup in the circuit. **Remove the jumpers if a pH sensor is added.**

Two types of pH sensors are available for connection to the Q45H/64 monitor. A battery powered sensor with internal preamp, #07-0096, provides an amplified signal of 0.3 – 1.5 VDC. A standard pH sensor without preamp, #63-0101, is also available, but the maximum cable length for this sensor is 25 ft. (7.5 m.) When this sensor is used with the constant-head flowcell, an adapter is supplied to allow the sensor to sit in the inlet chamber.

The pH correction can also be done using the analog output of another pH transmitter. When using the output from a separate pH transmitter, signal isolation is critical and an isolator may be required for proper operation.

If pH compensation is to be used, the pH input feature must be enabled and the correct pH sensor type must be selected in the Configuration Menu. If an 63-0101 sensor is used, select Sensor Type #1. If you are using an 07-0096 sensor (Q22P) or an external pH Transmitter input, select Sensor Type #2. See diagram on the next page for sensor hook-up information.

Note that a junction box may not be used with a 63-0101 pH sensor.

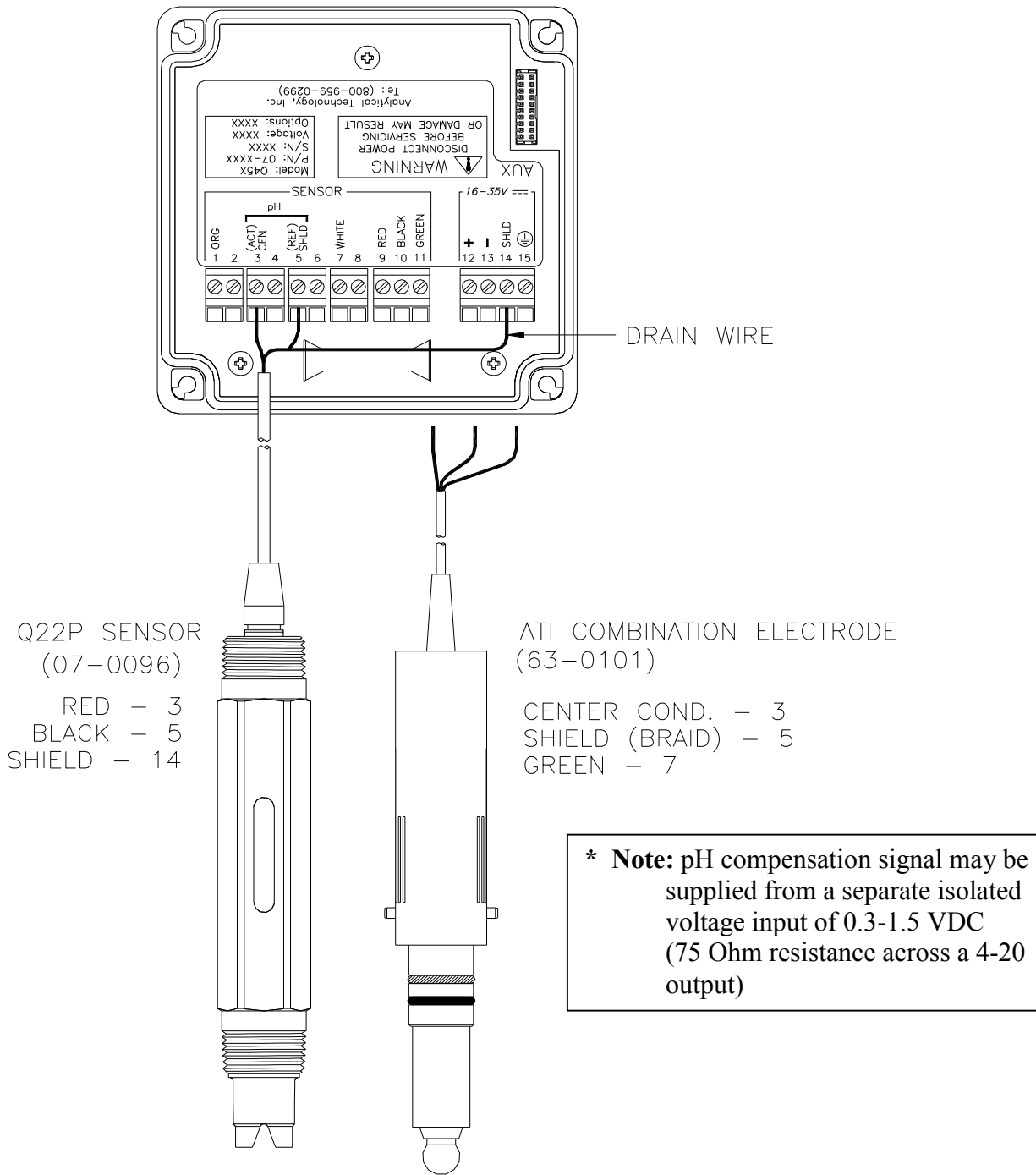


Figure 16 - Optional pH Sensor Connection

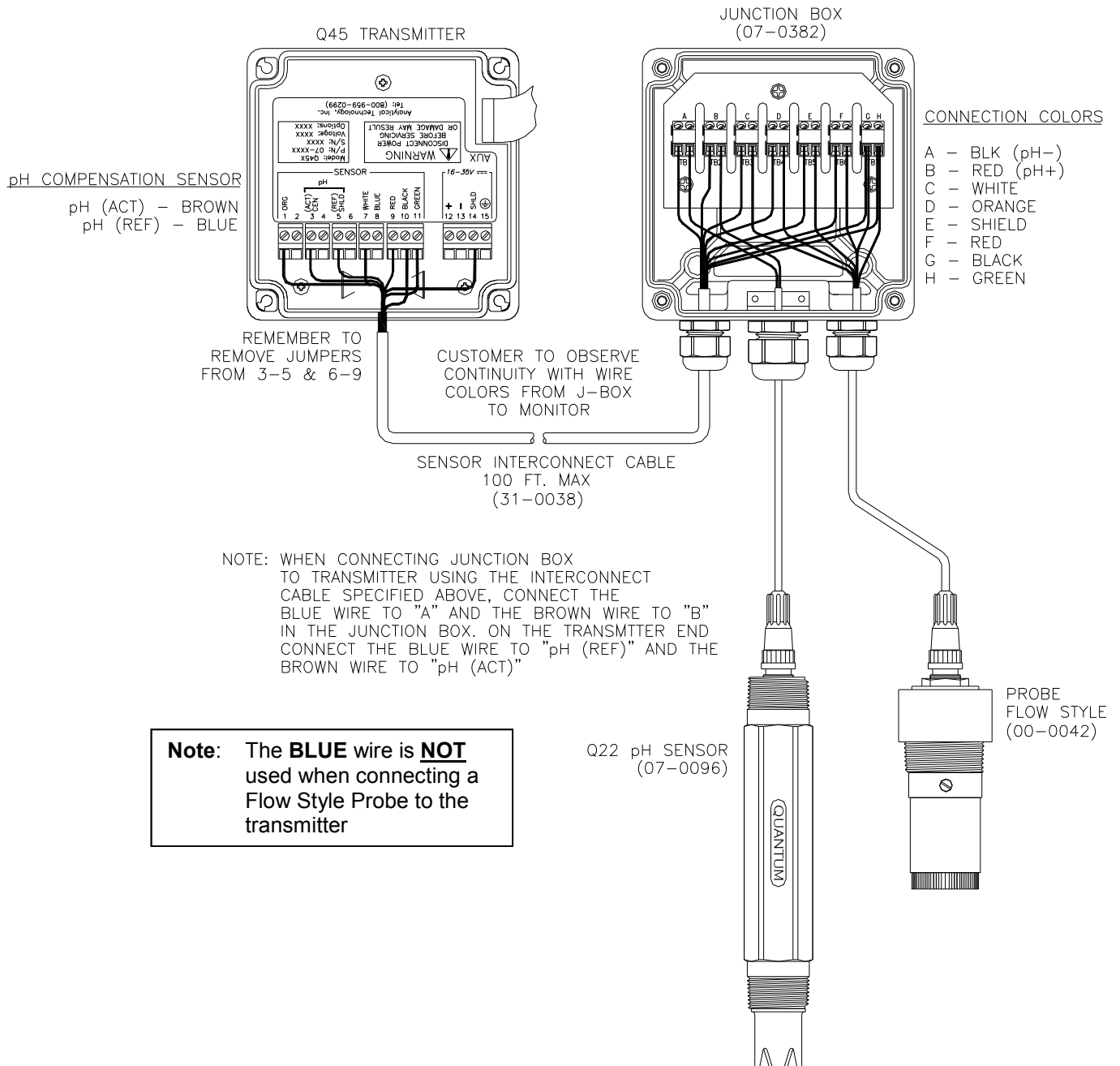


Figure 17 - Optional pH Sensor Conn. w/Junction Box

Part 5 – Sensor Assembly

5.1 Ozone Sensor Preparation

The ozone sensor supplied with the Q45H is shipped dry. It will not operate until it is prepared by adding electrolyte and a membrane. Preparation of the sensor for operation must be done carefully. The procedure should be done by a qualified technician, and it should only be done when the system is ready for operation. Until then, it is best to leave the sensor in the condition in which it is received.

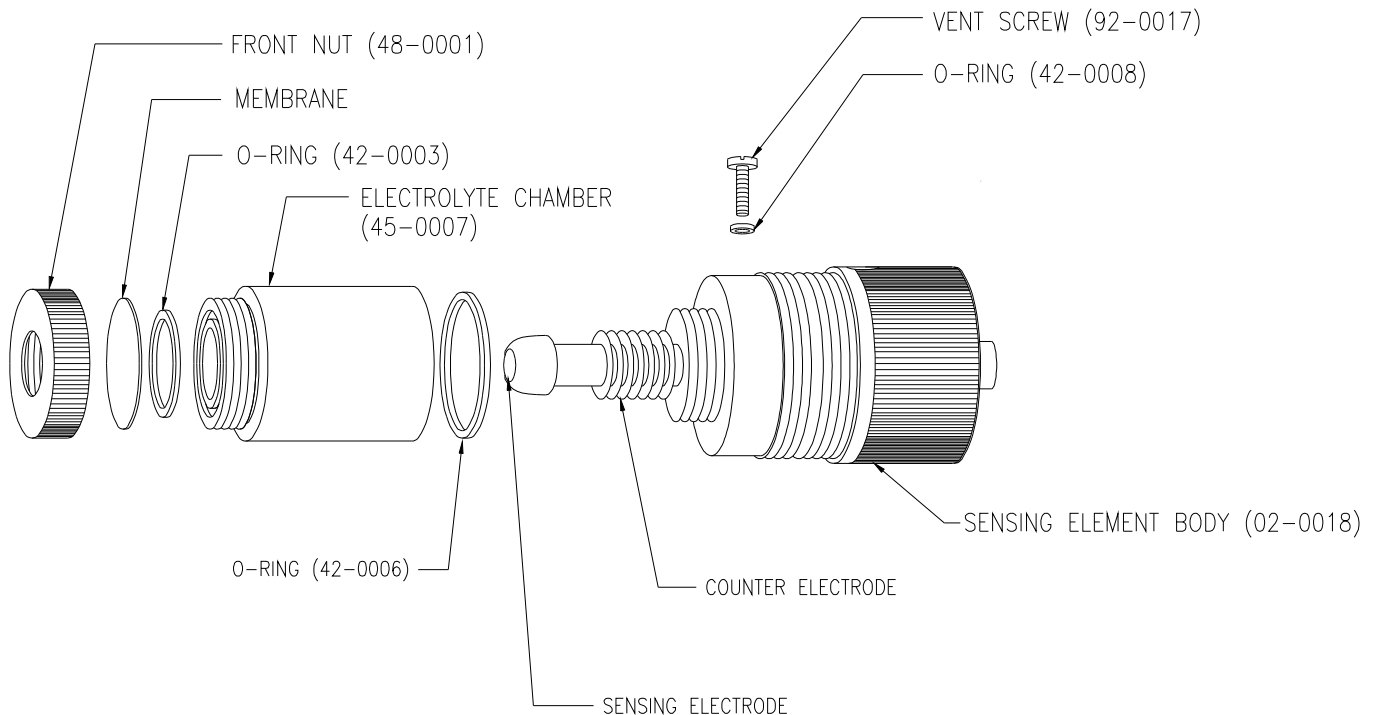


Figure 18 - Ozone Sensor Assembly

Submersible ozone sensors are made up of two separate parts, a submersion holder that also contains the temperature compensating element and a sensing module. The sensing module screws into the holder, with an o-ring providing a water tight connection.

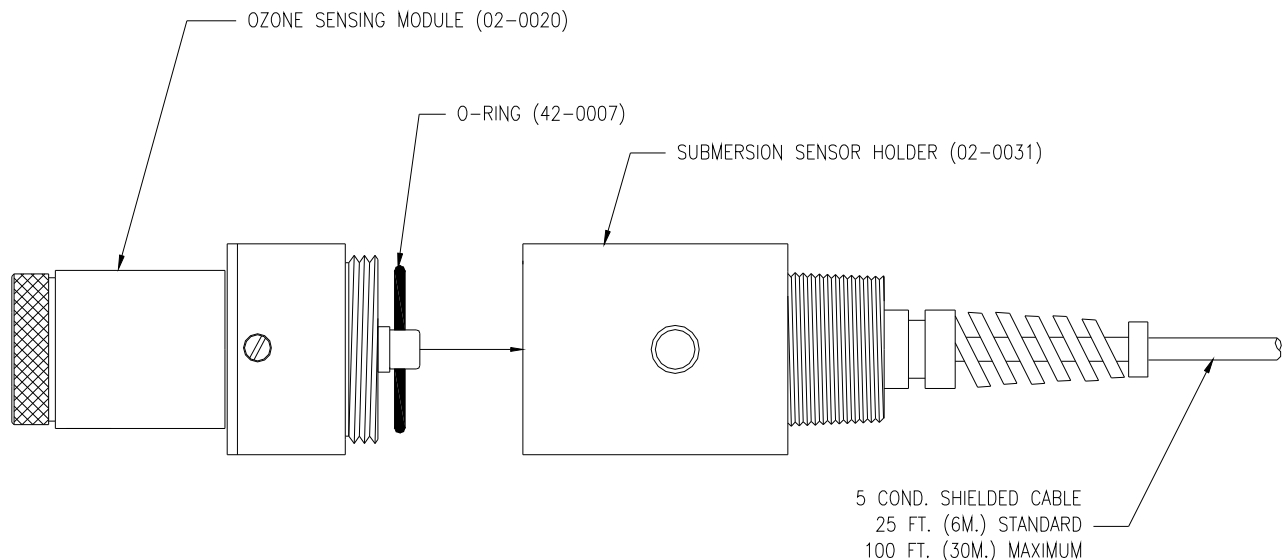


Figure 19 - Submersible Ozone Sensor Assembly

Follow the procedure below to prepare the ozone sensor for operation:

1. Unscrew the electrolyte chamber from the assembled sensor and also remove the vent screw from the side of the sensor body.
2. Remove the front nut from the bottom of the chamber and discard the protective membrane. O-rings are contained in grooves on both the bottom and top of the chamber. Be sure that these o-rings remain in place.
3. From the package of membranes supplied with the sensor, place a new membrane into the front nut. **The membrane is transparent and is separated from other membranes by a light blue paper spacer.**
4. Screw the front nut on to the chamber until you feel the o-ring compress. Hand tight compression is all that is needed. Do not use tools to tighten. The membrane should be flat across the bottom of the chamber without wrinkles.
5. Fill the chamber with electrolyte until the level reaches the bottom of the internal threads.

6. Slowly screw the chamber onto the sensor body. A small amount of electrolyte will run out of the hole from which the vent screw was removed. Place a paper towel around the sensor to absorb the electrolyte overflow. The electrolyte is harmless and will not irritate skin. Tighten the chamber until the o-ring at the top of the chamber is compressed. Once again, do not use tools to tighten.
7. Shake excess electrolyte from the fill hole on the side of the sensor and replace the vent screw.

The sensor is now ready for operation. The membrane should be stretched tightly across the tip of the sensor.

CAUTION: When handling the assembled sensor, do not set the sensor on its tip or damage to the membrane will result. Severe impacts on the tip of the sensor from dropping or other misuse may cause permanent damage to the sensor.

5.2 Optional pH Sensor

An optional pH battery powered sensor is available for use with the Q45H system that outputs a nominal signal of 0.3-1.5 VDC proportional to pH over a range of 0-14 pH units. The Q22P is also available and outputs a standard 4-20 mA analog signal. Both sensors are shipped with a protective rubber boot containing a small amount of salt solution to keep the glass elements in good condition and ready for use.

No special preparations are required for use of this electrode. The protective boot should remain in place until the system is to be placed into continuous service. **Do not remove the protective boot and allow the sensor to sit in the air for an extended period of time. The pH electrodes MUST stay wet.**

When ready for operation, simply remove the rubber boot from the end of the sensor and place the sensor into the inlet chamber of the ozone overflow cell. It is placed directly above the sample inlet tube. You will need to slide the flowcell chamber cover out of the way to put the pH sensor in place.

Part 6 – Configuration

6.1 User Interface

The user interface for the Q45 Series instrument consists of a custom display and a membrane keypad. All functions are accessed from this user interface (no internal jumpers, pots, etc.).

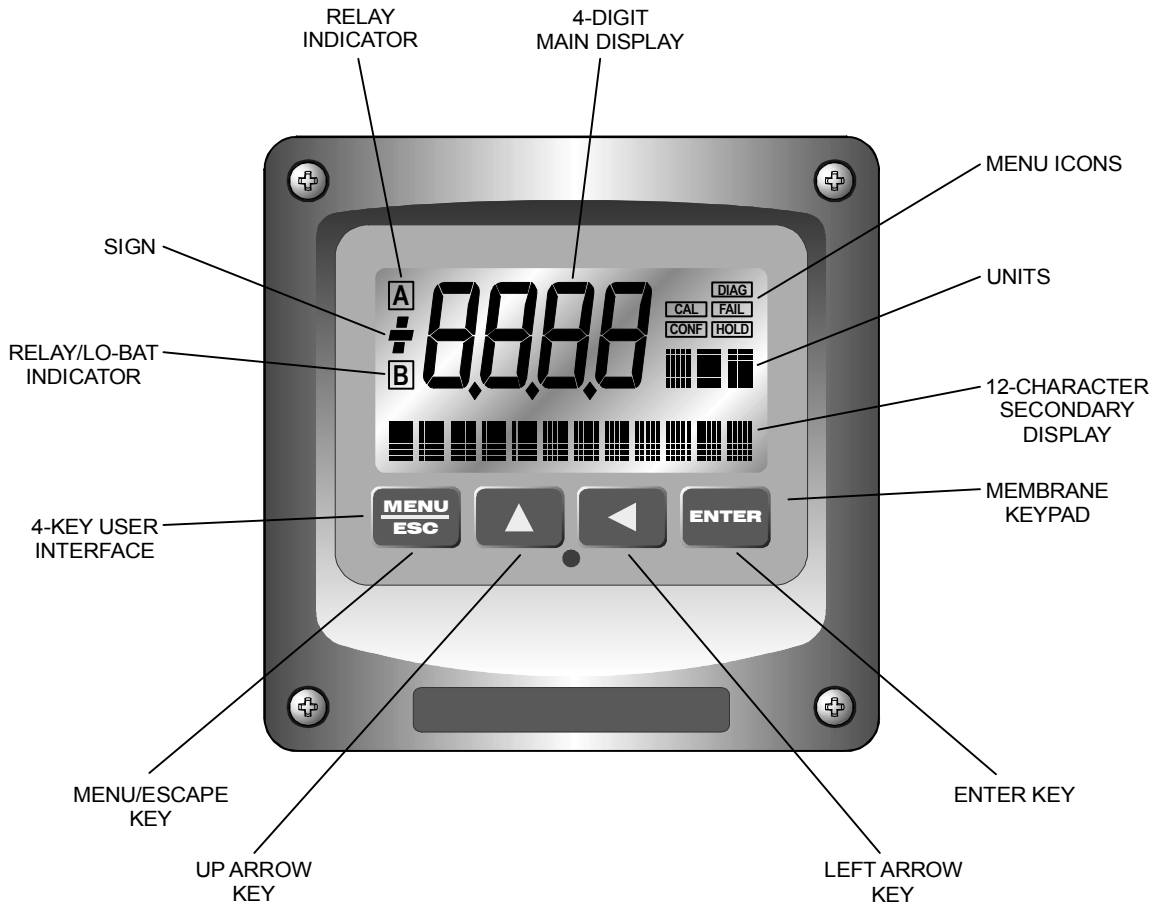


Figure 20 - User Interface

6.11 Keys

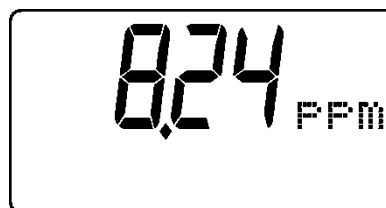
All user configurations occur through the use of four membrane keys. These keys are used as follows:

- | | |
|---------------------|---|
| MENU/ESC | To scroll through the menu section headers or to escape from anywhere in software. The escape sequence allows the user to back out of any changes in a logical manner. Using the escape key aborts all changes to the current screen and backs the user out one level in the software tree. The manual will refer to this key as either MENU or ESC, depending upon its particular function.. |
| UP (arrow) | To scroll through individual list or display items and to change number values. |
| LEFT (arrow) | To move the cursor from right to left during changes to a number value. |
| ENTER | To select a menu section or list item for change and to store any change. |

6.12 Display

The large custom display provides clear information for general measurement use and user configuration. There are three main areas of the display: the main parameter display, the secondary message line, and the icon area.

- | | |
|-----------------------|--|
| Main Parameter | During normal operation, the main parameter display indicates the present process input with sign and units. This main display may be configured to display any of the main measurements that the system provides. During configuration, this area displays other useful set-up information to the user. |
|-----------------------|--|



Lower Line

During normal operation, the lower line of the display indicates user-selected secondary measurements that the system is making. This also includes calibration data from the last calibration sequence and the transmitter model number and software version. During configuration, the lower line displays menu items and set-up prompts to the user. Finally, the lower line will display error messages when necessary. For a description of all display messages, refer to Section 9.4 Display Messages.

**Icon Area**

The icon area contains display icons that assist the user in set-up and indicate important states of system functions. The CAL, CONFIG, and DIAG icons are used to tell the user what branch of the software tree the user is in while scrolling through the menu items. This improves software map navigation dramatically. Upon entry into a menu, the title is displayed (such as CAL), and then the title disappears to make way for the actual menu item. However, the icon stays on.

**HOLD**

The HOLD icon indicates that the current output of the transmitter has been put into output hold. In this case, the output is locked to the last input value measured when the HOLD function was entered. HOLD values are retained even if the unit power is cycled.

FAIL

The FAIL icon indicates that the system diagnostic function has detected a problem that requires immediate attention. This icon is automatically cleared once the problem has been resolved.

6.2 Software

The software of the Q45H is organized in an easy to follow menu-based system. All user settings are organized under five menu sections: Measure, Calibration [CAL], Configuration [CONFIG], Control [CONTROL] and Diagnostics [DIAG].

Note: The default Measure Menu is display-only and has no menu icon.

6.21 Software Navigation

Within the CAL, CONFIG, CONTROL, and DIAG menu sections is a list of selectable items. Once a menu section (such as CONFIG) has been selected with the MENU key, the user can access the item list in this section by pressing either the ENTER key or the UP arrow key. The list items can then be scrolled through using the UP arrow key. Once the last item is reached, the list wraps around and the first list item is shown again. The items in the menu sections are organized such that more frequently used functions are first, while more permanent function settings are later in the list. See Figure 21 - Software Map for a visual description of the software.

Each list item allows a change to a stored system variable. List items are designed in one of two forms: simple single variable, or multiple variable sequences. In the single variable format, the user can quickly modify one parameter - for example, changing temperature display units from °F to °C. In the multiple variable sequence, variables are changed as the result of some process. For example, the calibration of ozone generally requires more than one piece of information to be entered. The majority of the menu items in the software consist of the single variable format type.

Any data that may be changed will be flashing. This flashing indicates user entry mode and is initiated by pressing the ENTER key. The UP arrow key will increase a flashing digit from 0 to 9. The LEFT arrow key moves the flashing digit from right to left. Once the change has been completed, pressing ENTER again stores the variable and stops the flashing. Pressing ESC aborts the change and also exits user entry mode.

The starting (default) screen is always the Measure Menu. The UP arrow key is used to select the desired display. From anywhere in this section the user can press the MENU key to select one of the four Menu Sections.

The UP arrow icon next to all list items on the display is a reminder to scroll through the list using the UP arrow key.

To select a list item for modification, first select the proper menu with the MENU key. Scroll to the list item with the UP arrow key and then press the ENTER key. This tells the system that the user wishes to perform a change on that item. For single item type screens, once the user presses the ENTER key, part or all of the variable will begin to flash, indicating that the user may modify that variable using the arrow keys. However, if the instrument is locked, the transmitter will display the message **Locked!** and will not enter user entry mode. The instrument must be unlocked by entering the proper code value to allow authorized changes to user entered values. Once the variable has been reset, pressing the ENTER key again causes the change to be stored and the flashing to stop. The message **Accepted!** will be displayed if the change is within pre-defined variable limits. If the user decides not to modify the value after it has already been partially changed, pressing the ESC key aborts the modification and returns the entry to its original stored value.

In a menu item which is a multiple variable sequence type, once the ENTER key is pressed there may be several prompts and sequences that are run to complete the modification. The ESC key can always be used to abort the sequence without changing any stored variables.

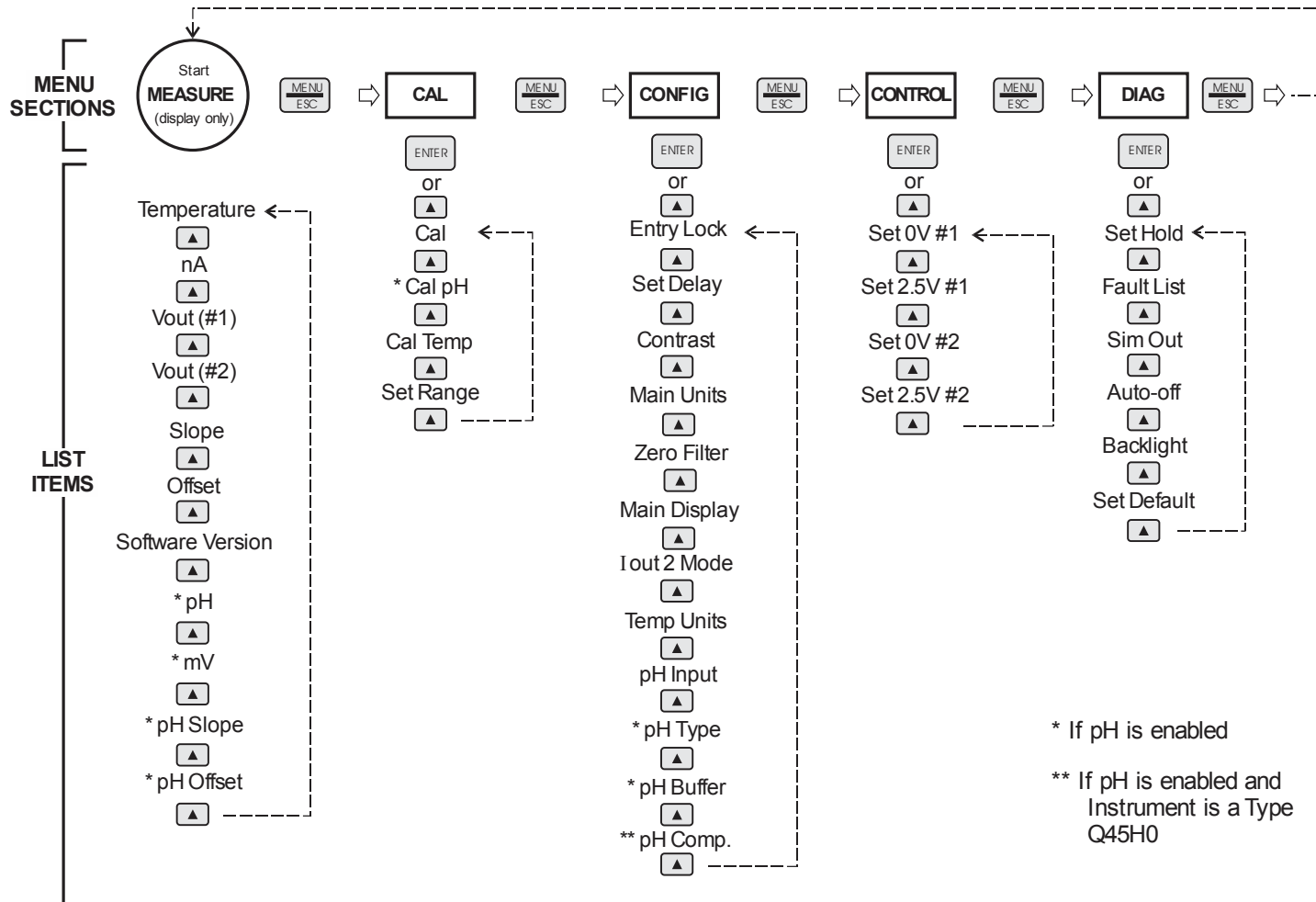


Figure 21 - Software Map

6.22 Measure Menu [MEASURE]

The default menu for the system is the display-only menu MEASURE. This menu is a display-only measurement menu, and has no changeable list items. When left alone, the instrument will automatically return to this menu after approximately 30 minutes. While in the default menu, the UP arrow allows the user to scroll through the secondary variables on the lower line of the display. A brief description of the fields in the basic transmitter version is as follows:

TRANSMITTER MEAS SCREENS:

25.7C	Temperature display. Can be displayed in C or F, depending on user selection. A small “m” on the left side of the screen indicates the transmitter has automatically jumped to a manual 25C setting due to a failure with the temperature signal input.
32.0 nA	Raw sensor current. Useful for diagnosing problems.
#1 0.00 VDC	Instrument output signal #1.
#2 1.25 VDC	Instrument output signal #2.
Slope = 100%	Sensor output response vs. ideal calibration. This value updates after each calibration. As the sensor ages, the slope reading will decay indicating sensor aging. Useful for resolving sensor problems.
Offset = 0.0 nA	Sensor output current at a zero ppm input. This value updates after a zero-calibration has been performed. Useful for resolving sensor problems.
Q45H3 v X.XX	Transmitter software version number.
7.56 pH	Measured pH value on AUX input (if enabled.)
5.00 mV	pH sensor mV output (if enabled)
pH Slp = 100%	pH sensor slope response vs. ideal calibration. This value will update after each calibration. As the pH sensor ages, the slope reading will decay. This is useful for solving sensor problems (if enabled).
pH Off = X.X mV	pH sensor current output at 7 pH input. This value updates after calibration is performed and is useful for resolving sensor problems.

Note: A display test (all segments ON) can be actuated by pressing and holding the ENTER key while viewing the model/version number on the lower line of the display.

The MEASURE screens are intended to be used as a very quick means of looking up critical values during operation or troubleshooting.

6.23 Calibration Menu [CAL]

The calibration menu contains items for frequent calibration of user parameters. There are four items in this list: Cal Ozone, Cal Temp, SetRange, and Cal Zero.

Cal O₃ The ozone calibration function allows the user to adjust the transmitter span reading to match a reference solution, or to set the sensor zero point. See Part 7 – Calibration for more details.

Cal pH The pH calibration function allows the user to **(if enabled)** adjust the transmitter offset and span to match the sample or reference buffers. See **Error! Reference source not found.** for more details.

Cal Temp The temperature calibration function allows the user to adjust the offset of the temperature response by a small factor of ± 5 °C. The temperature input is factory calibrated to very high accuracy. However, long cable lengths and junction boxes may degrade the accuracy of the temperature measurement in some extreme situations. Therefore, this feature is provided as an adjustment. See **Error! Reference source not found.** for more details.

Set Range This function allows the user to set the display range of the transmitter to a specific application. Once set, all output functions use this display range to establish configuration settings. Press ENTER to initiate user entry mode, and the value will flash. Use the arrow keys to modify value; available ranges include 200.0 ppb, 2.000 ppm, 20.00 ppm, and 200.0 ppm. Press ENTER to store the new value. The display range does not affect the internal auto ranging scaler that, therefore, sensitivity is to specification in any user selected range.

6.24 Configuration Menu [CONFIG]

The Configuration Menu contains all of the general user settings:

- Entry Lock** This function allows the user to lock out unauthorized tampering with instrument settings. All settings may be viewed while the instrument is locked, but they cannot be modified. The Entry Lock feature is a toggle-type setting; that is, entering the correct code will lock the transmitter and entering the correct code again will unlock it. The code is preset at a fixed value. Press ENTER to initiate user entry mode and the first digit will flash. Use arrow keys to modify value. **See end of manual for the Q45H lock/unlock code.** Press ENTER to toggle lock setting once code is correct. Incorrect codes do not change state of lock condition.
- Set Delay** The delay function sets the amount of damping on the instrument. This function allows the user to apply a first order time delay function to the ozone measurements being made. Both the display and the output value are affected by the degree of damping. Functions such as calibration are not affected by this parameter. The calibration routines contain their own filtering and stability monitoring functions to minimize the calibration timing. Press ENTER to initiate user entry mode, and the value will flash. Use the arrow keys to modify value; range is 0.1 to 9.9 minutes. Press ENTER to store the new value
- Contrast** This function sets the contrast level for the display. The custom display is designed with a wide temperature range, Super-Twist Nematic (STN) fluid.
- The STN display provides the highest possible contrast and widest viewing angle under all conditions. Contrast control of this type of display is generally not necessary, so contrast control is provided as a means for possible adjustment due to aging at extreme ranges. In addition, the display has an automatic temperature compensation network. Press ENTER to initiate user entry mode, and the value will flash. Use arrow keys to modify the value; range is 0 to 8 (0 being lightest). Press ENTER to update and store the new value.

Main Units	This function allows the user to select either PPM or mg/l for the dissolved ozone measurement.
Zero Filter	This function forces the reading to zero when reading is below the entered value. For example, if the entered value were 0.0020 the display at 0.0019 would indicate 0.000. This feature is useful in blanking out zero noise.
Main Display	This function allows the user to change the measurement in the primary display area. The user may select between ozone, sensor temperature, or output current. Using this function, the user may choose to put temperature in the main display area and ozone on the secondary, lower line of the display. Press ENTER to initiate user entry mode, and the entire value will flash. Use the UP arrow key to modify the desired display value. Press ENTER to store the new value.
Out#2 Mode	This function sets analog output #2 to either track ozone (default) or enables the PID controller to operate on the ozone input. Press ENTER to initiate user entry mode, and the entire value will flash. Use the UP arrow key to modify the desired value; selections include 1-ppm for ozone tracking or 2-Temperature. Press ENTER to store the new value.
Temp Units	This function sets the display units for temperature measurement. Press ENTER to initiate user entry mode, and the entire value will flash. Use the UP arrow key to modify the desired display value. The choices are °F and °C. Press ENTER to store the new value.
pH Input (if enabled)	Enables the auxiliary pH input on the instrument. Once enabled, an optional pH sensor can be added to the instrument to provide for additional monitoring of pH (dual instrument, ozone + pH output.)
pH Type (if pH enabled)	Allows the user to select either 1-Comb or 2-Q22P. The 1-Comb selection configures the monitor for a standard pH electrode without using its temperature compensation but in turn, uses the temperature compensator from the ozone sensor. The 2-Q22P selection configures the monitor for use with the Q22P sensor or for the 4-20 mA input from any other pH monitor.

pH Buffer
(if pH enabled)

This is a multiple variable function that allows the user to choose which pH buffer sets that will be utilized in the 2-point calibration mode. The Q45H contains 3 sets of built-in buffer tables with compensation values ranging from 0 to 95 °C. During 2-point calibration, the instrument will automatically identify which buffer is being used and compensate for the value based on the built-in tables. This allows very quick, highly accurate calibrations by the user. The order in which the buffers are used during calibration is unimportant, since the system automatically chooses the correct buffer.

The default setting for this feature is **OFF**, which disables the auto-recognition function. Press ENTER to change this setting. The buffer table set options are: 1: [4/7/10], 2: [4/7/9.18], and 3: [4.65/6.79/9.23]. See Figure 22 - Automatic pH Buffer Tables

for buffer tables. Once the buffer set is selected, press ENTER and the message **Accepted!** will be displayed on the lower line.

Table 1

4.00 pH		7.00 pH		10.00 pH	
°C	pH	°C	pH	°C	pH
0	4.00	0	7.10	0	10.27
10	3.99	10	7.06	10	10.15
20	4.00	20	7.02	20	10.05
30	4.01	30	6.99	30	9.95
40	4.03	40	6.97	40	9.87
50	4.05	50	6.98	50	9.80
60	4.08	60	6.98	60	9.75
70	4.12	70	6.97	70	9.73
80	4.16	80	6.99	80	9.73
90	4.21	90	7.01	90	9.75
95	4.24	95	7.01	95	9.77

Table 2

4.00 pH		7.00 pH		9.18 pH	
°C	pH	°C	pH	°C	pH
0	4.00	0	7.10	0	9.46
10	3.99	10	7.06	10	9.33
20	4.00	20	7.02	20	9.23
30	4.01	30	6.99	30	9.14
40	4.03	40	6.97	40	9.07
50	4.05	50	6.98	50	9.01
60	4.08	60	6.98	60	8.96
70	4.12	70	6.97	70	8.92
80	4.16	80	6.99	80	8.89
90	4.21	90	7.01	90	8.85
95	4.24	95	7.01	95	8.83

Table 3

4.65 pH		6.79 pH		9.23 pH	
°C	pH	°C	pH	°C	pH
0	4.67	0	6.89	0	9.48
10	4.66	10	6.84	10	9.37
20	4.65	20	6.80	20	9.27
30	4.65	30	6.78	30	9.18
40	4.66	40	6.76	40	9.09
50	4.68	50	6.76	50	9.00
60	4.70	60	6.76	60	8.92
70	4.72	70	6.76	70	8.88
80	4.75	80	6.78	80	8.85
90	4.79	90	6.80	90	8.82
95	4.79	95	6.80	95	8.82

Figure 22 - Automatic pH Buffer Tables

6.25 Control Menu [CONTROL]

The Control Menu contains all of the output control user settings:

Set 0V #1
Set 2.5V #1
Set 0V #2
Set 2.5V #2

These functions set the output range for each of the two instrument outputs. The value stored for the 0V point may be higher or lower than the value stored for the 2.5V point.

The entry values are limited to values within the range selected in the “Set Range” parameter under the CAL Menu and must be separated by at least 1% of this range. Use the LEFT arrow key to select the first digit to be modified. Then use the UP and LEFT arrow keys to select the desired numerical value. Press ENTER to store the new value.

Output #1 will always be in units of ppm or mg/l, as it is fixed to track Dissolved Ozone. Output #2 will be in either units of ppm, mg/l, pH, or °C/°F, depending on whether Dissolved ozone, pH, or temperature is set for Out#2 in the CONFIG menu.

NOTE: If the temperature units are changed between °C and °F (see Temp Units in this section), the default settings for this output will be stored (present data is not converted.)

6.26 Diagnostics Menu [DIAG]

The diagnostics menu contains all of the user settings that are specific to the system diagnostic functions, as well as functions that aid in troubleshooting application problems.

Set Hold

The Set Hold function locks the current loop output values on the present process value and halts operation of the PID controller. This function can be used prior to calibration, or when removing the sensor from the process, to hold the output in a known state. Once HOLD is released, the outputs return to their normal state of following the process input. The transfer out of HOLD is bumpless on the both analog outputs - that is, the transfer occurs in a smooth manner rather than as an abrupt change. An icon on the

display indicates the HOLD state, and the HOLD state is retained even if power is cycled. Press ENTER to initiate user entry mode, and entire value will flash. Use the UP arrow key to modify the desired value, selections are **ON** for engaging the HOLD function, and **OFF** to disengage the function. Press ENTER to store the new value.

The Set Hold function can also hold at an output value specified by the user. To customize the hold value, first turn the HOLD function on. Press the ESC key to go to the DIAG Menu and scroll to Sim Output using the UP arrow key. Press ENTER. Follow the instructions under Sim Output (see following page).

CAUTION: There is no time-out on the hold feature. Once placed into hold mode, return to normal operation must be done manually.

Fault List

The Fault List screen is a read-only screen that allows the user to display the cause of the highest priority failure. The screen indicates the number of faults present in the system and a message detailing the highest priority fault present. Note that some faults can result in multiple displayed failures due to the high number of internal tests occurring. As faults are corrected, they are immediately cleared.

Faults are not stored; therefore, they are immediately removed if power is cycled. If the problem causing the faults still exists, however, faults will be displayed again after power is re-applied and a period of time elapses during which the diagnostic system re-detects them. The exception to this rule is the calibration failure. When a calibration fails, no corrupt data is stored. Therefore, the system continues to function normally on the data that was present before the calibration was attempted.

After 30 minutes or if power to the transmitter is cycled, the failure for calibration will be cleared until calibration is attempted again. If the problem still exists, the calibration failure will re-occur. Press ENTER to initiate view of the highest priority failure. The display will automatically return to normal after a few seconds.

Sim Out

The Sim Out function allows the user to simulate the ozone level of the instrument in the user selected display range. The user enters a ppm value directly onto the screen, and the output responds as if it were actually receiving the signal from the sensor. This allows the user to check the function of attached monitoring equipment during set-up or troubleshooting. Escaping this screen returns the unit to normal operation. Press ENTER to initiate the user entry mode, and the right-most digit of the value will flash. Use arrow keys to modify desired value.

The starting display value will be the last read value of the input. The output will be under control of the SIM screen until the ESC key is pressed. The instrument will automatically terminate the simulated output after 30 minutes and return to normal operation unless the “HOLD” function is engaged.

Note: If the HOLD function is engaged before the Sim Output function is engaged, the simulated output will remain the same even when the ESC key is pressed. Disengage the HOLD function to return to normal output.

Auto-Off

Enables the automatic shut-off feature for the instrument. If ON, the instrument will automatically shut-off in 60 minutes after no keys are pressed to save power. With the external powered unit, this function should remain at **OFF**.

Back-Light

The Back-light screen is used to set the operating conditions under which the backlight will turn on. The default is AUTO, which configures the light to come on whenever any key is pressed. The light will automatically shut off if no key is pressed for 30 seconds. Other selections are OFF (always off), AL for Alarm, where the light comes on in alarm condition and flashes under a Fail condition, and ON (always on).

Set Default

The Set Default function allows the user to return the instrument back to factory default data for all user settings or for just the calibration default. It is intended to be used as a last resort troubleshooting procedure. All user settings or the calibration settings are returned to the original factory values. Hidden factory calibration data remains unchanged. Press ENTER to initiate user entry mode and select either All or CAL with the UP arrow key.

Part 7 – Calibration

7.1 Ozone Calibration

Once power is applied, the sensor must be given time to stabilize. This is best done by following the zeroing procedure below. Establishing a stable zero is critical to the proper operation of the monitor. A complete calibration will include zeroing and spanning the sensor. It is generally unnecessary to set the zero at every calibration; however, it should be done during the initial installation.

7.11 Ozone ZeroCal

Ozone sensors have extremely low offset currents at zero. For this reason, it is normally sufficient to simply leave the zero at the factory default of 0.0 nA. As an alternative, an electronic zero can be set by disconnecting the sensor from the cable and performing steps 3-5 below.

The steps below assume that the sensor has been prepared in accordance with 5.1 Ozone Sensor Preparation, earlier in this manual. Note that the 8 hour waiting time in step 2 below is not required if the monitor has been running for 24 hours prior to zeroing. If the unit has been running with the sensor connected, the sensor will normally return to a stable zero within 15 minutes.

1. Connect the sensor to the electronics by plugging the cable plug into the receptacle on the top of the sensor.
2. Place about an inch of water in a small beaker or other convenient container and immerse the tip of the sensor. The water used need not be distilled, but it must not contain dissolved ozone. For submersible sensors, submerge the entire sensor in a bucket of non-ozonated water. Allow the sensor to sit undisturbed for at least 8 hours.
3. Scroll to the CAL menu section using the MENU key and press ENTER or the UP arrow key. **Cal Ozone** will then be displayed.
4. Press the ENTER key. The screen will display a flashing **1-Ref** for span calibration or a **2-Zer** for zero calibration. Using the UP arrow key, set for a **2-Zer** zero calibration and press ENTER.

The system now begins acquiring data for the sensor zero calibration value. As data is gathered, the units for sensor current in nanoamps (nA) and temperature may flash. Flashing units indicate that this parameter is unstable. The calibration data point acquisition will stop only when the data remains stable for a pre-determined amount of time. This can be overridden by pressing ENTER. If the data remains unstable for 10 minutes, the calibration will fail and the message **CalUnstable** will be displayed.

5. If accepted, the screen will display the message **PASS** with the new sensor zero reading (offset), then it will return to the main measurement display. If the calibration fails, a message indicating the cause of the failure will be displayed and the FAIL icon will be turned on. The range of acceptable value for sensor offset is -25nA to +25 nA. Should a FAIL occur, carefully inspect the sensor for a tear in the membrane. It will probably be necessary to rebuild the sensor as described in section 5.1 Ozone Sensor Preparation. Should the offset value remain high and result in calibration failures, review the Service section of this manual, and then contact the service dept. at ATI for further assistance.

The sensor zero offset value in nA from the last zero calibration is displayed on the lower line of the Default Menus for information purposes.

7.12 Ozone Span Cal

Span calibration of the system must be done against a laboratory measurement on the same sample that the sensor is measuring. A sample should be collected from the inlet line feeding the flow cell and quickly analyzed for ozone. When calibrating, it is best to have a reasonably high concentration of ozone in the system. The higher the value, the smaller will be the calibration errors caused by errors in the laboratory analytical procedure. It is generally preferable to calibrate at values above 0.5 PPM to reduce calibration errors. If possible, the indigo colorimetric procedure for ozone should be used as the reference method. The ozone monitor should be calibrated while operating on an ozonated sample stream in the flow cell assembly.

Start flow cell and calibrate system as follows:

1. Place the previously zeroed sensor into the sensor chamber of the flow cell assembly. The sensor is inserted into the side of the flow cell and is sealed in place with a double o-ring. The o-rings are lubricated at the factory to allow the sensor to slide smoothly into place. If insertion becomes difficult, use a small amount of silicon grease to lubricate the o-rings. If the low-volume flow cell is used, screw the sensor into the flow cell until the membrane cap bottoms out on the acrylic flow cell. Do not over-tighten

2. Turn on the inlet water flow to the flow cell and adjust the inlet flow rate so that water is overflowing from the inlet chamber. The best performance will be obtained when some water is always overflowing. This maintains constant flow and pressure on the sensor at all times.
3. Allow the system to operate undisturbed for 30-60 minutes. Assuming the water contains ozone, the display will be reading positive sensor current values. If the system is stable, the value on the display will increase to some PPM value and remain at that level. At that point, calibration can continue.
4. If the sensor is on-line, the user may want to set the output HOLD feature prior to calibration to lock out any output fluctuations.
5. Scroll to the CAL menu section using the MENU key and press ENTER or the UP arrow key. **Cal Ozone** will then be displayed.
6. Press the ENTER key. The screen will display a flashing **1-Ref** for span calibration or a **2-Zer** for zero calibration. Using the UP arrow key, set for a **1-Ref** span calibration and press ENTER.
7. The system now begins acquiring data for the calibration value. As data is gathered, the units for ppm and temperature may flash. Flashing units indicate that this parameter is unstable. The calibration data point acquisition will stop only when the data remains stable for a pre-determined amount of time. This can be overridden by pressing ENTER. If the data remains unstable for 10 minutes, the calibration will fail and the message **CalUnstable** will be displayed.
8. The screen will display the last measured ppm value and a message will be displayed prompting the user for the lab value. The user must then modify the screen value with the arrow keys and press ENTER. The system then performs the proper checks.
9. If accepted, the screen will display the message **PASS** with the new sensor slope reading, and then it will return to the main measurement display. If the calibration fails, a message indicating the cause of the failure will be displayed and the FAIL icon will be turned on. The range of acceptable values for sensor slope is 20% to 500%. It may be necessary to rebuild the sensor as described in section 5.1 Ozone Sensor Preparation. Should the slope value remain out of range and result in calibration failures, review the Service Section of this manual, then contact the service dept. at ATI for further assistance.

The sensor offset value in % from the last span calibration is displayed on the lower line of the Default Menus for information purposes.

7.2 Temperature Calibration

The temperature calibration sequence is essentially a 1-point offset calibration that allows adjustments of approximately ± 5 °C.

The sensor temperature may be calibrated on line, or the sensor can be removed from the process and placed into a known solution temperature reference. In any case, it is critical that the sensor be allowed to reach temperature equilibrium with the solution in order to provide the highest accuracy. When moving the sensor between widely different temperature conditions, it may be necessary to allow the sensor to stabilize as much as one hour before the calibration sequence is initiated. If the sensor is on-line, the user may want to set the output HOLD feature prior to calibration to lock out any output fluctuations.

1. Scroll to the CAL menu section using the MENU key and press ENTER or the UP arrow key.
2. Press the UP arrow key until **Cal Temp** is displayed.
3. Press the ENTER key. The message **Place sensor in solution then press ENTER** will be displayed. Move the sensor into the calibration reference (if it hasn't been moved already) and wait for temperature equilibrium to be achieved. Press ENTER to begin the calibration sequence.
4. The calibration data gathering process will begin. The message **Wait** will flash as data is accumulated and analyzed. The °C or °F symbol may flash periodically if the reading is too unstable.
5. The message **Adjust value - press ENTER** will be displayed, and the right-most digit will begin to flash, indicating that the value can be modified. Using the UP and LEFT arrow keys, modify the value to the known ref solution temperature. Adjustments up to ± 5 °C from the factory calibrated temperature are allowed. Press ENTER.

Once completed, the display will indicate **PASS** or **FAIL**. If the unit fails, the temperature adjustment may be out of range, the sensor may not have achieved complete temperature equilibrium, or there may be a problem with the temperature element. In the event of calibration failure, it is recommended to attempt the calibration again immediately.

7.3 pH Calibration

The pH calibration menus will not be seen unless the optional pH sensor input is turned ON and a special pH sensor is connected to the input of the instrument. See Section 6.24 – Configuration for more details.

The pH calibration functions appear in the CAL menu listing when the optional pH input is enabled in the CONFIG menu. When enabled, the pH input signal is used to compensate the ozone signal. Calibration of pH is performed in one of two methods; one-point or two-point. For new sensors or for calibration in two different pH buffers with the sensor removed from the process, choose a two-point calibration. For on-line calibrations with the sensor still mounted in the process, choose a one-point calibration. For two-point calibrations, it is highly recommended to use fresh pH buffers of 7 pH and 9.18 pH.

The conductivity difference between the process water and the sensor reference solution can cause an effect called a “junction potential”. The junction material of the pH sensor is porous ceramic, which allows the sensor reference solution to be in electrical continuity with the process solution. One problem is caused by the reference junction and the diffusion rate of the electrolyte through the junction material. The inside surface of the junction material is in contact with the reference cell solution, which has a very high ionic strength. The outside surface of the junction material is in contact with the process water, which can have low ionic strength. This concentration gradient creates what is called a “junction potential” which can vary with the flow rate of the process. The magnitude of this potential can be upwards of 30 mV (half a pH unit). The lower the conductivity of the water the larger the effect.

It is not possible to eliminate this effect; however it usually is constant or very slow changing.

A full calibration of the pH sensor consists of an initial 2-point calibration in buffers. This sets the slope and zero offset of the sensor. The sensor should then be left in the process water for enough time for the system to fully stabilize to process conditions. This may take up to a few hours, depending on process conditions. A 1-point calibration must then be carried out. The ideal way to do this is by calibrating to a laboratory sample. After the 1-point calibration only the zero offset will have changed.

Routine calibration of the pH sensor is a 1point calibration

7.31 Two-Point pH Cal

1. Thoroughly clean the pH sensor and place it into the first pH calibration buffer, stirring it several times before letting it rest in the beaker. Allow sensor to sit in solution long enough to achieve temperature equilibrium with the pH buffer (maybe 5 minutes.) It is important that both pH buffers be fresh and at room temperature.
2. Scroll to the CAL menu section using the MENU key and press ENTER or the UP arrow key.
3. Press the UP arrow key until **Cal pH Type** is displayed.
4. Press the ENTER key. The display will begin to flash. Using the UP arrow key, adjust the displayed number to a **2** pt calibration type. This will allow the user to offset+slope adjust the sensor input for two separate pH point. Once value has been adjusted, press the ENTER key and the message **Accepted!** will be displayed.
5. Scroll to the next menu item by pressing the UP arrow key once. The menu item **Cal pH buf1** will be displayed.
6. Press the ENTER key. The display will begin to flash. Using the UP and LEFT arrow keys, adjust the displayed number to the known value of the pH buffer. The exact temperature compensated number for pH buffers is typically written on the side of the buffers shipping container. Once value has been adjusted, press the ENTER key.
7. The message **Accepted!** will be displayed, or an error describing the cause the failure. If the cal point was accepted, rinse the sensor in distilled or de-ionized water and move it into the second pH buffer. Stir it slightly several times and let the sensor rest in the beaker.
8. Scroll to the next menu item by pressing the UP arrow key once. The menu item **Cal pH buf2** will be displayed.
9. Press the ENTER key. The display will begin to flash. Using the UP and LEFT arrow keys, adjust the displayed number to the known value of the second (higher or lower value) pH buffer. Once value has been adjusted, press the ENTER key.
10. The message **Accepted!** will be displayed, or an error describing the cause the failure. The system is now two-point calibrated for pH.

7.32 One-Point pH Cal

1. For this calibration method, the sensor may be removed, cleaned, and placed into a known pH buffer, or, it may be calibrated on-line against a known reference value. If the sensor is removed, thoroughly clean the pH sensor and place it into the pH calibration buffer, stirring is several times before letting it rest in the beaker. Allow sensor to sit in solution long enough to achieve temperature equilibrium with the pH buffer (maybe 5 minutes.) It is important that the pH buffer be fresh and at room temperature.
2. Scroll to the CAL menu section using the MENU key and press ENTER or the UP arrow key.
3. Press the UP arrow key until **Cal pH Type** is displayed.

Press the ENTER key. The display will begin to flash. Using the UP arrow key, adjust the displayed number to a **1** pt calibration type. This will allow the user to offset-adjust the sensor input for one pH point. Once value has been adjusted, press the ENTER key and the message **Accepted!** will be displayed.

4. Scroll to the next menu item by pressing the UP arrow key once. The menu item **Cal pH buf1** will be displayed.
5. Press the ENTER key. The display will begin to flash. Using the UP and LEFT arrow keys, adjust the displayed number to the known value of the pH buffer. If the sensor is still mounted in the process, enter the known reference value. The exact temperature compensated number for pH buffers is typically written on the side of the buffers shipping container. Once value has been adjusted, press the ENTER key.
6. The message **Accepted!** will be displayed, or an error describing the cause the failure. The system is now two-point calibrated for pH.

Part 8 – System Maintenance

8.1 General

The Q45H/64 Dissolved Ozone System will generally provide unattended operation over long periods of time. With proper care, the system should continue to provide measurements indefinitely. For reliable operation, maintenance on the system must be done on a regular schedule. Keep in mind that preventive maintenance on a regular schedule is much less troublesome than emergency maintenance that always seems to come at the wrong time.

8.2 Analyzer Maintenance

No unusual maintenance of the analyzer is required if installed according to the guidelines of this operating manual. If the enclosure door is frequently opened and closed, it would be wise to periodically inspect the enclosure sealing gasket for breaks or tears.

8.3 Ozone Sensor Maintenance

Sensor maintenance is required for accurate measurements. The primary requirement is simply to keep the sensor membrane clean. The membrane is a solid polymer that is resistant to anything that will be encountered in water streams. However, deposits can form on the surface of the membrane, and these deposits will reduce the sensitivity. Certain constituents in water, mainly iron and manganese will form precipitates. These precipitates can sometimes form a coating on the membrane.

Because membranes are relatively impermeable, they are relatively easy to clean. Often, it is sufficient to simply wipe the membrane with a soft cloth or paper towel. Immersing the tip of the sensor in 1N nitric acid solution will sometimes remove deposits that cause low sensitivity, but this is not always the case. If deposits do not easily wipe off or come off with acid soaking, simply replace the membrane. To change a membrane, follow the procedure (Section 5.1 Ozone Sensor Preparation). Do not reuse the electrolyte from the sensor when changing a membrane. Always refill with fresh electrolyte. The electrolyte is stable and does not have a limited shelf life.

Refer again to the explanation of the sensor slope number after an accepted span calibration on the lower MEASURE screen. In normal operation, the slope of the sensor output will decrease over time as the membrane becomes fouled. This reduction indicates that the sensor is losing sensitivity to ozone. It is good practice to replace the membrane if the slope number falls to 30-40%. The value will not go below 20%.

Even if no buildup is apparent on the membrane, it should be changed on a regular schedule. The recommended membrane change interval is every 6 months. For high purity water applications, this can probably be extended if desired, but a more frequent changing interval is a small price to pay for avoiding membrane failure at the wrong time.

While the sensor is disassembled for membrane changing, examine the condition of the o-rings on both ends of the electrolyte chamber. If the o-rings show any signs of damage, replace them with new ones from the spare parts kit. It is good practice to change these o-rings once a year, regardless of their condition.

8.4 Sensor Acid Cleaning

Over an extended operating period, ozone sensors can slowly accumulate deposits on the surface of the gold electrode. Typically, this type of buildup occurs over years of operation, but can sometimes occur more quickly in high levels of manganese, iron, or other metals are dissolved in the water. The platinum electrode can be “acid cleaned” using nitric acid solutions.

WARNING

THIS ACID CLEANING PROCEDURE INVOLVES THE USE OF HIGHLY CORROSIVE ACID SOLUTIONS. IT SHOULD ONLY BE COMPLETED BY TRAINED PERSONNEL USING PROTECTIVE EYEWEAR AND GLOVES. IF THERE IS ANY DOUBT ABOUT YOUR ABILITY TO SAFELY ACCOMPLISH THIS PROCEDURE, RETURN THE SENSOR TO ATI FOR FACTORY CLEANING!

To acid clean the electrode assembly, remove the electrolyte chamber from the sensor so that the so that both electrodes are exposed. Then follow the procedure below.

1. Place a small amount of 50% nitric acid solution in a beaker. Put in just enough so that the platinum tip of the sensor can be submerged without any contact with the silver coil.
2. Allow the sensor to soak in this acid solution for 2 minutes. Remove the sensor body and rinse the platinum tip thoroughly with distilled water. Discard the nitric acid safely and according to all environmental regulations.

3. Fill the beaker with distilled water to the level sufficient to submerge both the tip and the silver coil. Do not allow the connector at the back of the sensor to be submerged. Allow the electrodes to soak in distilled water for 30 minutes.
4. Put a new membrane and fresh electrolyte in the electrolyte chamber and reassemble the sensor. Connect to the ozone monitor electronics and allow the sensor to stabilize for at least 24 hours. The sensor can be placed in the flow cell with ozonated water running through it during stabilization. However, the readings will not be useful for 24 hours.

8.5 Q22P Sensor Cleaning

Keep the sensor as clean as possible for optimum measurement accuracy - this includes both the saltbridge and the measuring electrode glass. Frequency of cleaning depends upon the process solution.

Carefully wipe the measuring end of the sensor with a clean soft cloth. Then rinse with clean, warm water - use distilled or de-ionized water if possible. This should remove most contaminate buildup.

Prepare a mild solution of soap and warm water. Use a non-abrasive detergent (such as dishwashing liquid).



NOTE: DO NOT use a soap containing any oils (such as lanolin). Oils can coat the glass electrode and harm sensor performance.

Soak the sensor for several minutes in the soap solution.

Use a small, extra-soft bristle brush (such as a mushroom brush) to thoroughly clean the electrode and saltbridge surfaces. If surface deposits are not completely removed after performing this step, use a dilute acid to dissolve the deposits. After soaking, rinse the sensor thoroughly with clean, warm water. Placing the sensor in pH 7 buffer for about 10 minutes will help to neutralize any remaining acid.



NOTE: DO NOT soak the sensor in dilute acid solution for more than 5 minutes. This will help to prevent the acid from being absorbed into the saltbridge.



WARNING: ACIDS ARE HAZARDOUS. Always wear eye and skin protection when handling. Follow all Material Safety Data Sheet recommendations. A hazardous chemical reaction can be created when certain acids come in contact with process chemicals. Make this determination before cleaning with any acid, regardless of concentration.

8.6 Replacing the Saltbridge and Reference Buffer Solution

1. Hold the sensor with the process electrode pointing up. Place a cloth or towel around the saltbridge. Turn the saltbridge counterclockwise (by hand) to loosen and remove the saltbridge. Do NOT use pliers.
2. Pour out the old reference buffer by inverting the sensor (process electrode pointing down). If the reference buffer does not run out, gently shake or tap the sensor.
3. Rinse the reference chamber of the sensor with de-ionized water. Fill the reference chamber of the sensor with fresh Reference Cell Buffer. The chamber holds 6 to 7 mL of solution. MAKE SURE that 6 to 7 mL is used when refilling. The chamber should be FULL.
4. Inspect the new saltbridge to verify that there are 2 o-rings inside the threaded section of the saltbridge
5. Place the new saltbridge over the ground assembly of the sensor. Place a cloth or towel around the saltbridge and hand-tighten the saltbridge by turning it clockwise.



NOTE: Every ATI Q25P Sensor includes a spare bottle of Reference Buffer Solution, 7.0 pH. This is NOT typical pH 7 buffer, it is a special “high-capacity” buffer developed to ensure the highest possible stability of the reference portion of the pH measurement. No substitutions should be made.

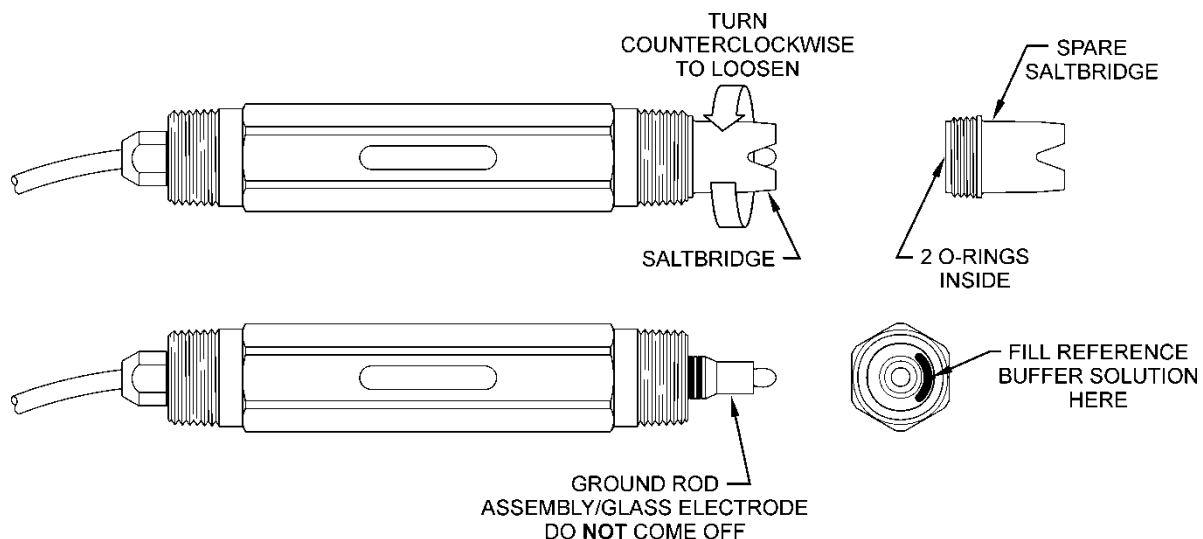


Figure 23 - Replacing the Saltbridge and Reference Buffer

8.7 Flow Cell Maintenance

The maintenance on the flow cell is simple cleaning. The flow cell is clear to make examination of the condition of the sensor easier without interfering with operations. The flow cell may be cleaned by wiping or by washing with detergents or dilute acids. Do not try to clean with solvents as the acrylic may craze or crack.

Change the o-ring in the flow cell yearly or if any damage is observed. If insertion of the sensor into the flow cell becomes difficult, use silicon grease to lubricate the o-rings that hold the sensor in place. Use only enough grease to provide surface lubrication. Excess grease could foul the sensor membrane.

Part 9 – Troubleshooting

9.1 General

The information included in this section is intended to be used in an attempt to quickly resolve an operational problem with the system. During any troubleshooting process, it will save the most time if the operator can first determine if the problem is related to the analyzer, sensor, or some external source. Therefore, this section is organized from the approach of excluding any likely external sources, isolating the analyzer, and finally isolating the sensor. If these procedures still do not resolve the operational problems, any results the operator may have noted here will be very helpful when discussing the problem with the factory technical support group.

9.2 External Sources of Problems

To begin this process, review the connections of the system to all external connections.

1. Verify the analyzer is earth grounded. For all configurations of the analyzer, an earth ground connection **MUST** be present for the shielding systems in the electronics to be active. Grounded conduit provides no earth connection to the plastic enclosure, so an earth ground wiring connection must be made at the power input terminal strip. Verify metal shield is present over incoming power connections. This shield is for safety purposes, but also blocks electrical spikes from relay and power wiring.
2. Do not run sensor cables or analog output wiring in the same conduits as power wiring. If low voltage signal cables must come near power wiring, cross them at 90° to minimize coupling.
3. If rigid conduit has been run directly to the Q45 enclosure, check for signs that moisture has followed conduit into the enclosure.
4. Check for ground loops. Although the membrane sensor is electrically isolated from the process water, high frequency sources of electrical noise may still cause erratic behavior in extreme conditions. If readings are very erratic after wiring has been checked, check for a possible AC ground loop by temporarily disconnecting feed and drain lines from the flow cell while there is still water on the inside. The reading should be initially stable and then fall very slowly in a smooth fashion as ozone is depleted in the static sample.

5. Carefully examine any junction box connections for loose wiring or bad wire stripping. If possible, connect the sensor directly to the analyzer for testing.
6. Check sensor membrane for fouling. Look closely for signs of grease or oil which may be present. Replace membrane and electrolyte, allow to stabilize, and re-check. The procedure in Section 5.1 Ozone Sensor Preparation, must be followed when replacing the membrane.

9.3 Analyzer Tests

1. Disconnect power and completely disconnect all output wiring coming from the analyzer. Remove sensor wiring, relay wiring, and analog output wiring. Re-apply power to the analyzer.
2. Using the Simulate feature, check operation of analog outputs and relays with a DMM.
3. Check cell drive circuit. With a digital voltmeter (DVM), measure the voltage between ORANGE (-) terminal and WHITE (+) terminals. Verify that the millivolt value is actually -400 mV.
4. Check TC drive circuit. Place a wire-short between the GREEN and BLACK terminals. With a digital voltmeter (DVM), measure the voltage between the BLACK and RED terminals on the back of the monitor to verify that the TC drive circuit is producing about 4.8-5.1 VDC open circuit. Remove DVM completely and connect a 100 Ohm resistor from the BLACK to RED terminals. The temperature reading should display approximately 0°C and the ozone reading should display approximately 0 ppm.

9.4 Display Messages

The Q45 Series instruments provide a number of diagnostic messages which indicate problems during normal operation and calibration. These messages appear as prompts on the secondary line of the display or as items on the Fault List.

MESSAGE	DESCRIPTION	POSSIBLE CORRECTION
Max is 200	Entry failed, maximum user value allowed is 200.	Reduce value to ≤ 200
Min is 200	Entry failed, minimum value allowed is 200.	Increase value to ≥ 200
Cal Unstable	Calibration problem, data too unstable to calibrate. Icons will not stop flashing if data is too unstable. User can bypass by pressing ENTER.	Clean sensor, get fresh cal solutions, allow temperature and conductivity readings to fully stabilize, do not handle sensor or cable during calibration.
Out of Range	Input value is outside selected range of the specific list item being configured.	Check manual for limits of the function to be configured.
Locked!	Transmitter security setting is locked.	Enter security code to allow modifications to settings.
Unlocked!	Transmitter security has just been unlocked.	Displayed just after security code has been entered.
Offset High	The sensor zero offset point is out of the acceptable range of -20 to +20 nA.	Check wiring connections to sensor. Allow sensor to operate powered a minimum of 12 hours prior to first zero cal.
Sensor High	The raw signal from the sensor is too high and out of instrument range.	Check wiring connections to sensor.
Sensor Low	The raw signal from the sensor is too low.	Check wiring connections to sensor.
Ozone High	The ozone reading is greater than the maximum of the User-selected range.	The ozone reading is over operating limits. Set measuring range to the next highest level.
Temp High	The temperature reading is $> 55^{\circ}\text{C}$.	The temperature reading is over operating limits. Check wiring and expected temp level. Perform RTD test as described in sensor manual. Recalibrate sensor temperature element if necessary.
Temp Low	The temperature reading is $< -10^{\circ}\text{C}$	Same as "Temp High" above.
TC Error	TC may be open or shorted.	Check sensor wiring and perform RTD test as described in sensor manual. Check j-box connections.

Figure 24 - Q45H Display Messages

MESSAGE	DESCRIPTION	POSSIBLE CORRECTION
Ozone Cal Fail	Failure of ozone calibration. FAIL icon will not extinguish until successful calibration has been performed, or 30 minutes passes with no keys being pressed.	Clean sensor redo zero and span calibration. If still failure, sensor slope may be less than 25% or greater than 250%. Perform sensor tests as described in section 9.5. Replace sensor if still failure.
TC Cal Fail	Failure of temperature calibration. FAIL icon will not extinguish until successful calibration has been performed, or 30 minutes passes with no keys being pressed.	Clean sensor, check cal solution temperature and repeat sensor temp calibration. TC calibration function only allows adjustments of +/- 6 °C. If still failure, perform sensor tests as described in section 9.5. Replace sensor if still failure. .
EPROM Fail	Internal nonvolatile memory failure	System failure, consult factory.
Chcksum Fail	Internal software storage error.	System failure, consult factory.
Display Fail	Internal display driver fail.	System failure, consult factory.
Range Cal Fail	Failure of factory temperature calibration.	Consult factory.

Figure 25 - Display Messages (Continued)

9.5 Sensor Tests

1. Check the membrane condition. A membrane that is not stretched smoothly across the tip of the sensor will cause unstable measurements. If necessary, change membrane and electrolyte.
2. Residual ozone sensors can be tested with a digital voltmeter (DVM) to determine if a major sensor problem exists. Follow the steps below to verify sensor integrity:
 - A. Disconnect the five sensor wires from the back of the ozone monitor. Those wires are color coded white, brown, red, black, and green. Note that the brown wire may be replaced with an orange wire in some cables.
 - B. Remove the electrolyte chamber from the sensor and dry the electrodes with a paper towel.
 - C. Connect a DVM between the white and brown (or orange) wires. Reading resistance, you should find an open circuit value of infinite resistance. There must be no measurable resistance at all between these wires. Any resistance at all indicates either water in the cable connector or the breakdown in an electrode seal.
 - D. Connect a DVM between the red and white wires. The red wire is part of the RTD circuit and the white wire is part of the measuring cell. There should be no connection. Reading resistance, you should find an open circuit value of infinite resistance. Any resistance at all indicates either water in the cable connector or the breakdown in an electrode seal.
 - E. Connect the DVM between the red and black wires. These are the RTD leads, and you should find a resistance value that depends on the temperature. The table below lists the resistance values for various temperatures. Reading resistance between the red and green wires should give exactly the same values as between red and black.

Temperature °C	Resistance Ω
0	100.0
5	101.9
10	103.9
15	105.8
20	107.8
25	109.7
30	111.7
35	113.6
40	115.5
45	117.5
50	119.4

Figure 26 - Pt100 RTD Table

If you suspect that water has gotten into a cable connection on a flow type sensor or into the plug connection of a submersible sensor, disconnect the cable and allow the parts of the sensor to sit in a warm place for 24 hours. If water in the connector is the problem, it should dry out sufficiently to allow normal sensor operation. However, steps 2c thru 2e above will have to be repeated after drying to see if the problem is gone.

3. Acid clean the sensor electrodes in accordance with the procedure on the previous page.

9.6 Troubleshooting (Q22P Sensor)

The first step in resolving any measurement problem is to determine whether the trouble lies in the sensor or the transmitter. Since measurement problems can often be traced to dirty sensor electrode glass and/or saltbridge, cleaning the sensor using the method outlined in Section 9 should always be the first step in any troubleshooting.

If the sensor cannot be calibrated after cleaning, replace the saltbridge and reference cell buffer pH 7 as outlined in Section 9.

If the sensor still cannot be calibrated, perform the following test. A multimeter, pH 7 buffer and pH 4 buffer will be needed.

1. With transmitter power on and sensor connected, place the multimeter's positive (+) lead on the white position of the transmitter terminal strip and the negative (-) lead on the black position. The multimeter should read between -4.2 and -6.5 VDC.
2. Disconnect the sensor's black and red wires from the transmitter or junction box. Re-check Step 1.
3. Place the sensor in pH 7 buffer. As in calibration, allow the temperatures of the sensor and buffer to equilibrate at room temperature (approximately 25 °C).
4. Connect the multimeter's positive (+) lead to the red wire and its negative (-) lead to the black wire. With the sensor in the pH 7 buffer at approximately 20-30 °C, measure the DC millivolts. The sensor reading should be between 680 – 750 mV. If it is not, replace sensor reference solution, saltbridge and re-test.

With the multimeter connected as in Step 4, rinse the sensor with clean water and place it in the pH 4 buffer. Allow the temperatures to equilibrate as before. Now measure the sensor span reading. It should be between +450 – 550 mV.

Spare Parts

Part No.

Description

Spare Electronics

07-0034	Q45H D.O ₃ monitor, external power, 5-17 VDC
05-0058	Q45 Mounting Kit
03-0338-3	Q45H/64 Front Lid Assy
31-0173	Ribbon Cable, 20 pin
03-0361	External Power PCB Assy

Spare Sensors

00-0042	Flow D.O ₃ Sensor
00-0065	Submersible D.O ₃ Sensor with 25' cable
07-0096	Q22 pH Sensor (Convertible / Flowcell)
07-0132	Q22 pH Sensor (Immersion)
05-0066	Saltbridge, pH
05-0067	Regeneration Kit, pH
63-0101	Standard pH Sensor with 25 ft. cable

Spare Sensor Components

02-0018	Flow D.O ₃ sensing element body (for #00-0042)
02-0020	Submersible D.O ₃ sensing module (for #00-0065)
02-0019	Submersible D.O ₃ sensing element body (for #02-0020)
02-0031	Submersion holder, 25' cable (for #00-0065)
03-0029	Sensor interconnect cable, 25 ft.
45-0007	Electrolyte chamber
45-0010	Membrane holder, Noryl
45-0268	1" NPT Flow Adapter
03-0315	Vented electrolyte chamber
48-0001	Membrane holder, type 316 stainless steel
45-0144	Membrane holder, Kynar
05-0002*	Membranes, pkg. of 10
05-0036	Membranes, pkg. of 10, microporous
05-0004*	Spare Parts Kit, screw & o-ring, (for flow/In-line sensor)
05-0010	Spare Parts Kit, screw & o-ring, (for submersible sensor)
09-0008*	D.O ₃ electrolyte, 4 oz (120 cc)
09-0052	Reference Solution for pH sensor (07-0096)

Spare Flowcells

00-0043	Constant head flowcell assembly with mounting plate
00-0633	Low volume flowcell assembly
42-0014	Flowcell o-ring (each)
00-0625	1½" Flow Tee assembly
00-1522	Sealed flowcell, O ₃ Sensor
00-1527	Sealed flowcell, pH Sensor (for 63-0101 sensor)

Spare Parts Cont'd

Misc Components

07-0100	Junction Box
07-0382	Junction box for 2 nd Input Sensor
31-0038	Interconnect cable for junction box to monitor wiring
44-0260	Pg9 cord grip (each)
44-0019	Pg11 cord grip (each)
03-0371	Fixed flow regulator Assy
05-0110	Sealed Flowcell Vacuum Breaker

Note: Instrument is supplied with sufficient spare parts for 6-12 months of operation. For 2 year spare parts inventory, 3 each of the items marked with an asterisk are required.

Lock/Unlock Code: 1456