



ABAW Series AWWA

C504 and C517 Quarter-turn
Worm Gear Operator



ABAW Quarter-turn Worm Gear Operator

The ABAW AWWA C504 & C517 worm gear operators are suitable for manual actuation of AWWA C504 butterfly valves and C517 plug valves. They are designed to meet or exceed all aspects of AWWA C504 & C517 specifications and are manufactured from high quality and reliable materials. Overload and life tests reports are available upon request. All Rotork Gears actuators are made to ISO 9001 standards.

Features

- 90% grease filled for life and fully sealed
- Self-lubricating sleeve bearings
- -4 to +250°F (-20 to +120°C) standard temperature range
- Adjustable travel stops +/- 5 degrees
- Above or buried service
- 300 ft-lbs Overload Capability for AB550AW
- 450 ft-lbs Overload Capability for AB880AW & AB1250AW

Options

- Stem extensions
- Square nut
- Padlock kit
- NAMUR & Westlock position indicator mounting kit
- High temperature to +392°F (+200°C)
- Low temperature to -76°F (-60°C)
- Open Right Service

Keeping the World Flowing

rotork®

Gears

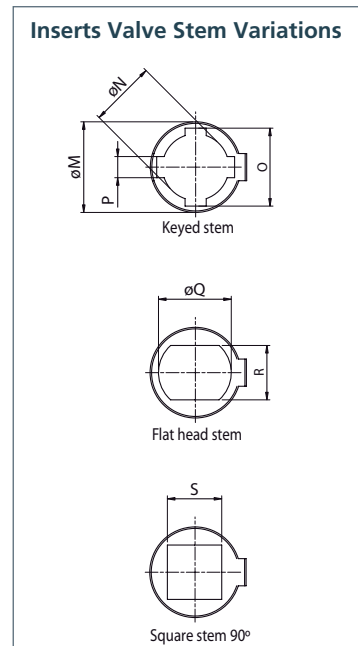
Type	Ratio	Max. Torque lbf.in (Nm)	M.A. ±15%	Max. Stem Height inch (mm)
AB550AW	34 : 1	5310 (600)	12	3.11 (79)
AB880AW	38 : 1	10621 (1200)	12.4	3.23 (82)
AB1250AW	48 : 1	17702 (2000)	16.2	3.58 (91)

The published M.A. is achieved after a few cycles.

Type	Dimensions Maximum (Inserts)						
	ØM	ØN	O	P	ØQ	R	S
AB550AW	1.78 (45.3)	1.18 (30)	1.44 (36.6)	0.31 (8)	1.43 (36.2)	1.06 (27)	1.06 (27)
AB880AW	2.36 (60)	1.73 (44)	1.99 (50.6)	0.47 (12)	1.90 (48.2)	1.42 (36)	1.42 (36)
AB1250AW	2.36 (60)	1.73 (44)	1.99 (50.6)	0.47 (12)	1.90 (48.2)	1.42 (36)	1.42 (36)

The ABAW Series can have the quadrant machined to suit the valve stem or delivered with a blank insert to be machined by others.

Note: The insert option will reduce the stem size acceptance.



Material specification for Rotork ABAW Quarter-turn Gear Series

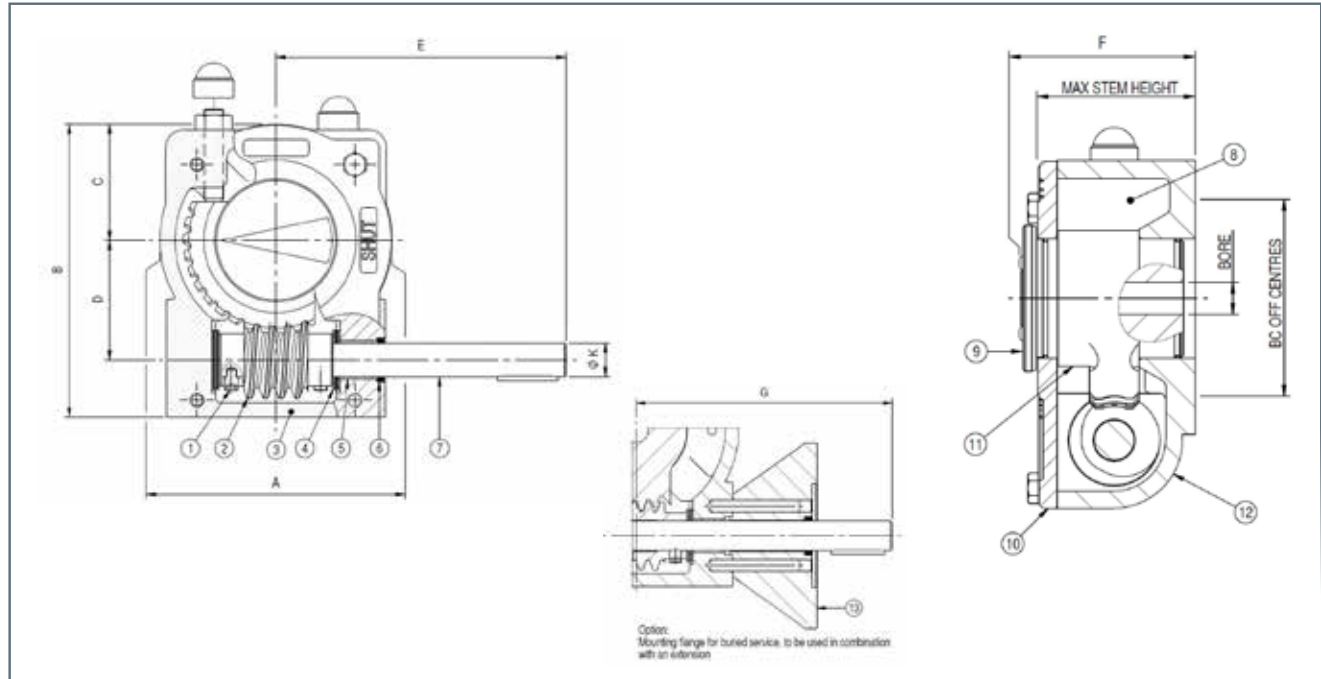
No.	Description	Material	Notes
1	Set-screw	Carbon Steel	DIN915 / grade 12.9
2	Worm	Treated Carbon Steel	C45 / AISI1045
3	Gasket	Liquid seal	-
4	Axial-bearing	Hardened Steel	-
5	Bushing	P10,P14	PAP
6	Oil-seal	Nitrile	-
7	Shaft	Protected Steel	C45 / AISI1045
8	Grease	Renolit CLX2	-
9	Position indicator	Scanblend FS7 PC/ASA	-
10	Coverplate	Ductile iron	GGG40 / ASTM D60-40-18
11	Quadrant	Treated Ductile iron	GGG40 / ASTM D60-40-18 (AB1250 GGG50 / EN-GLS-500-7)
12	Body	Ductile iron	GGG40 / ASTM D60-40-18
13	Cover + E-flange	Ductile iron	GGG40 / ASTM D60-40-18

Note: Due to the company's policy of continuous improvement, Rotork Gears reserves the right to change specification details without prior notice.

ABAW Series AWWA

C504 and C517 Quarter-turn
Worm Gear Operator

Gearbox ABAW Series



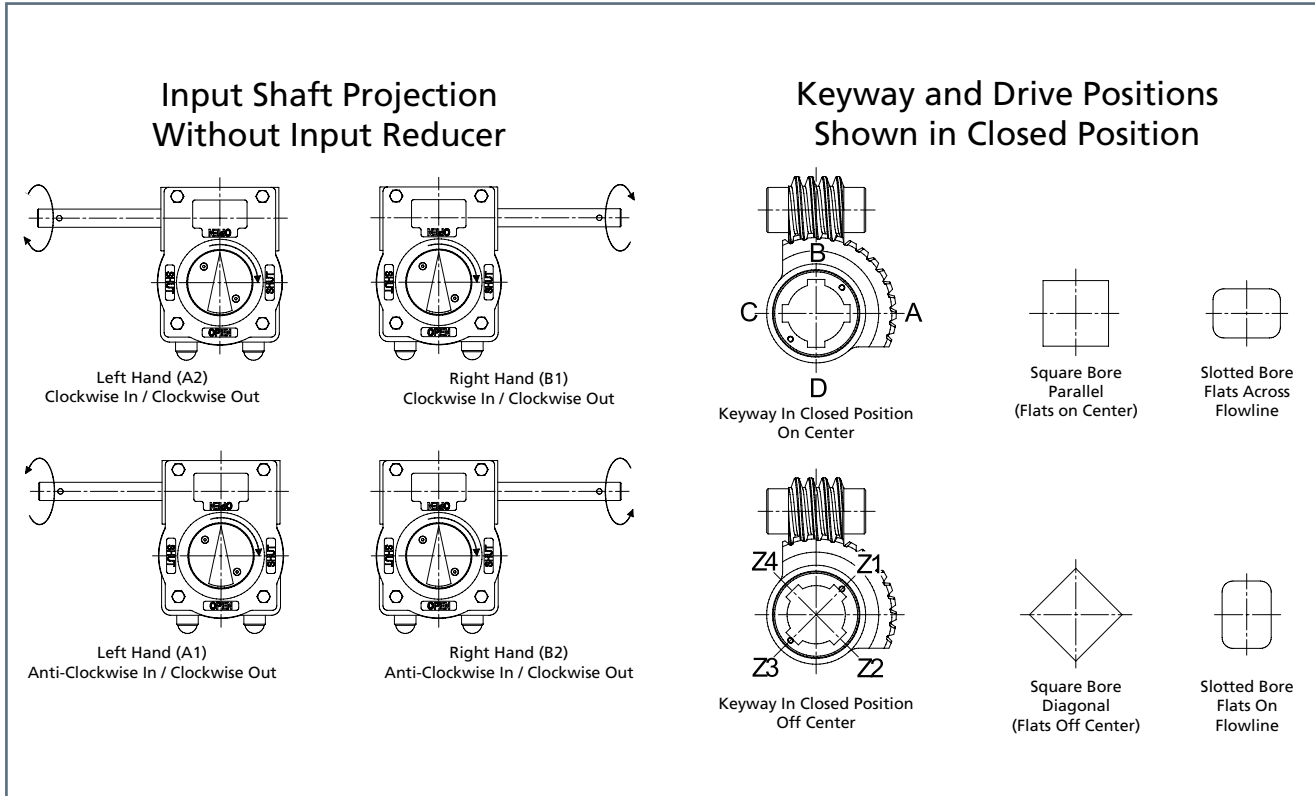
Type	A	B	C	D	E	F	G	ØK	Max Bore with insert		Max Bore in quadrant		Valve Connection BC acc. ISO 5211
									Square inch (mm)	Round inch (mm)	Square inch (mm)	Round inch (mm)	
AB550AW	5.43 (138)	6.85 (174)	2.72 (69)	2.80 (71)	6.77 (172)	3.46 (88)	6.77 (172)	0.79 (20)	1.06 (27)	1.18 (30)	1.49 (38)	1.77 (45)	FA/F07,FA/F10,FA/F12,FA/F14 FA/F16
AB880AW	7.87 (200)	8.90 (226)	3.94 (100)	3.39 (86)	7.17 (182)	3.64 (92.5)	7.17 (182)	0.79 (20)	1.42 (36)	1.73 (44)	1.81 (46)	2.36 (60)	FA/F10,FA/F12,FA/F14,FA/F16
AB1250AW	8.69 (221)	10.16 (258)	4.33 (110)	4.11 (104.5)	7.87 (200)	4.05 (103)	7.87 (200)	0.79 (20)	1.42 (36)	1.73 (44)	1.97 (50)	2.56 (65)	FA/F10,FA/F12,FA/F14,FA/F16

All dimensions in inches (mm).

IP RATING AND SPECIFICATION FOR ABAW SERIES GEARBOXES

Service:	Standard Duty	Marinised Duty	Buried Service Duty
Duty	N	W	G
IP Rating	IP67	IP68	IP68
Time & Depth	30 min to a depth of 1 meter (3 feet)	72 hours to a depth of 1 meter (3 feet) in clean water.	Buried service
Input Shafts	C45 Carbon Steel or Stainless Steel	C45 Carbon Steel or Stainless Steel	C45 Carbon Steel or Stainless Steel
Fasteners	Steel	Stainless Steel A4	Stainless Steel A4
Position Indicator	FS7 (plastic)	Powder coated metal with O-Ring	Metal non-rotating plate

Customer Drive and Orientation Options



Rotork Gears UK
9 Brown Lane West
Holbeck
Leeds
West Yorkshire LS12 6BH
England

tel +44 (0)113 2567922
email sales@rotorkgears.com

Rotork Gears India
165/166, Bommasandra,
Jigani Link Road,
Kiadb Industrial Area,
Anekal Thaluk, Jigani Hobli,
Bangalore 562106

tel +91 80 3098 1600
fax +91 80 3098 1610
email sales@rotork.co.in

Rotork Gears BV
Nijverheidstraat 25
7581 PV Losser
P.O. Box 98
7580 AB Losser
The Netherlands

tel +31 (0)53-5388677
fax +31 (0)53-5383939
email info@rotorkgears.nl

Rotork Valvekits
Brookside Way
Nunn Park
Huthwaite
Nottinghamshire NG17 2NL
England

tel +44 (0)1623 440211
fax +44 (0)1623 440214
email sales@rotorkvalvekits.com

Rotork Gears Americas
1811 Brittmoore
Houston
Texas 77043
USA

tel +1 713 983 7381
fax +1 713 856 8022
email gears@rotorkgears.com

Rotork Valvekits Americas
Rotork Tulsa, Inc.
4433 West 49th Street, Suite D
Tulsa, OK 74107
USA

tel +1 (918) 259-8100
fax +1 (918) 259-9167
email usasales@rotorkvalvekits.com

Rotork Gears Shanghai
No. 260 Lian Cao Road
Xin Mei Urban Industrial Park
Min Hang District
Shang Hai 201108
China

tel +86-21-33236200
fax +86-21-64348388
email info@rotorkgears.com.cn

Roto Hammer Industries
Rotork Tulsa, Inc
4433 West 49th Street, Suite D
Tulsa, OK 74107
USA

tel +1 918 446 3500
fax +1 918 446 6218
email sales@rotohammer.com

Rotork Gears S.R.L.
Viale Europa 17
20090 Cusago (MI)
Italy

tel +39 0290 16711
fax +39 0290 390368
email rgsl.sales@rotork.com

A full listing of our worldwide sales and service network is available on our website at

www.rotork.com