

Level Switches

SOR® mechanical level switches

are rugged, industrial products specifically designed for versatility of application. This catalog contains application and ordering data for float and displacer-operated level switches. Switches are available with flanged or sealed chambers or as insertion models.

Options available for each type of switch include: switch type and number, housing type, chamber material, process connections, accessories, and more. Units may be customized to suit customers' needs.

Inside this catalog you will find solutions to your level sensing puzzles. SOR mechanical level switches have many configurations available. **If you don't see what you need, we will engineer a custom solution for your application.**



200 Series



300 Series



700 Series



Features and Benefits

- Five-year warranty
- ASME Section IX and AWS qualified welding system
- Designed to ASME B31.1 and B31.3 guidelines
- Hermetically sealed switching mechanisms available
- Stainless steel switching mechanisms
- High-temperature capability (up to 1200 °F)
- Wide variety of explosion-proof housings
- Versatile switching mechanisms which retro-fit into other manufacturers' units
- Worldwide listings and certifications
- Quick worldwide delivery
- ASTM grade materials with certified mill test reports used
- EAC Certificate for Russia
- Safety Certified to IEC 61508 (SIL) SOR products are certified to IEC 61508 for non-redundant use in SIL1 and SIL2 Safety Instrumented Systems for most models. For more details or values applicable to a specific product, see the Safety Integrity Level Quick Guide (Form 1528).

Standard Chamber Materials All SOR level switch chambers are constructed using ASTM grade materials with full material certification. Mill Test Reports are kept on file for all raw materials. Copies are available upon request at the time of order placement.

Carbon Steel Construction	Chamber Center Section	A106 Grade B
	Flanges/Weld Fittings	A105
	Weld Cap	A234-WPB
	Studs/Nuts.....	A193-B7/A194-2H
Stainless Steel Construction	Chamber Center Section	A312-TP316/316L
	Flanges/Weld Fittings	A182-316/316L
	Weld Cap	A403-316/316L
	Studs/Nuts.....	A193-B7/A194-2H

Quality Assurance

SOR maintains a high level of quality throughout our corporation. Many quality assurance features are built into our products.

- ISO 9001 certified engineering design and production system (certified since 1993).
- Level-welded chambers designed to the guidelines of ASME B31.1 and B31.3 (inspection certificate available – see page 29).
- All welders and weld procedures are qualified and maintained to ASME Section IX.
- All ASTM grade materials used - Certified Mill Test Reports required on all raw materials.

Switching Mechanisms

SOR switching mechanisms are designed for use in punishing industrial conditions.

- All stainless steel construction - no aluminum or brass.
- Temperature ratings available from -65°F (-54°C) to 1000°F (538°C) on dry, non-condensing services.
- Condensing service (steam) temperature ratings available up to 800°F (427°C), and up to 1200°F (649°C) with protection (see page 26).
- Available switching mechanisms include hermetically sealed, standard open contacts, or pneumatic contacts.
- Agency listings are available on most switch mechanisms: UL, CSA, ATEX or IECEx.

Gaskets

- All standard models are provided with a Nitrile binder composite gasket that is selected for its resistance to hydrocarbons and steam.
- For high-temperature, high-pressure or NACE-constructed units, a spiral-wound gasket is used with 316SS wound-around Grafoil.
- Extreme high-pressure model 802 uses a soft-iron, ring-joint gasket on the chamber head flange.

Internal Trim

- All sensing elements (floats and displacers) are constructed of either 316/316LSS or porcelain as a minimum.
- Attraction sleeves are available in 400SS as a standard, with 316/316LSS or other exotic metals as an option.
- All other wetted internal parts are 316SS or better. Displacer springs are made of Inconel 600.

Product Support

SOR has a full-time engineering staff dedicated to solving your mechanical level switch problems.

Engineers and technicians are knowledgeable about sales and production techniques, and are dedicated to providing the best solution to our customers at the best price.

Section	Page
Principles of Operation	4
Model Tree	6
Step 1a: Float or Displacer & Model Series	7
Step 1b: Pressure Rating and Specific Gravity	8
Step 2: Chamber/Process Connection Material	14
Step 3: Process Connection.....	15
Step 4: Trim Material	18
Step 5: Switching Mechanism	19
Step 6: Housing	22
Step 7: Accessories/Certificates	23
High Temperature Selection	25
Manual Check (MC) & True Check (TC) Options	28
Examination and Testing Requirements	29
ASTM Material Designations	30
Weights	31
Specific Gravity of Water	32
Dimensions	
100 Series.....	33
200 Series.....	35
108/208 Models.....	37
300 Series.....	38
400 Series.....	39
741-743, 802 Models	40
740, 804 Models	42
700 Series	44
730 Series.....	45
750 Series.....	46

Float-Operated Level Switches - Vertical

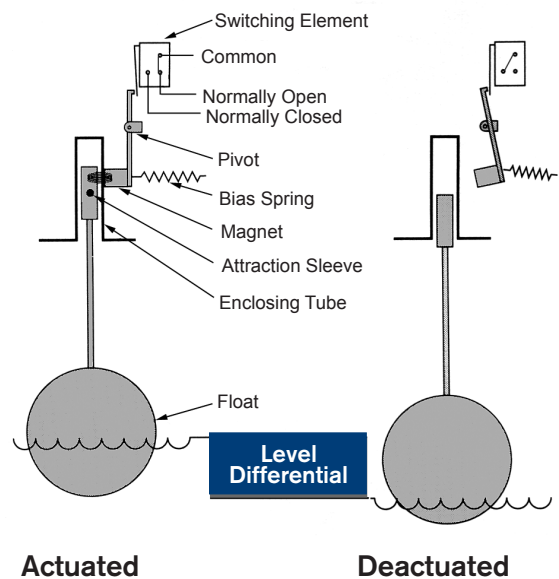
Model Series 100, 200 and 300

The float rides on the process liquid surface, precisely tracking liquid surface motion.

Rising liquid level lifts the float, sliding the attraction sleeve up inside the enclosing tube and into the magnetic field to actuate the electrical or pneumatic switch (signaling liquid presence).

Subsequently, falling liquid level lowers the float, drawing the attraction sleeve out of the magnetic field to deactivate the electrical or pneumatic switch (signaling liquid absence). Float-type level switches are generally able to handle high-temperature applications, and sometimes prove useful for close interface detection.

Floats can operate up to two switching elements. Independent switching levels may be obtained with tandem floats. **Consult the factory for special float-switching arrangements.**



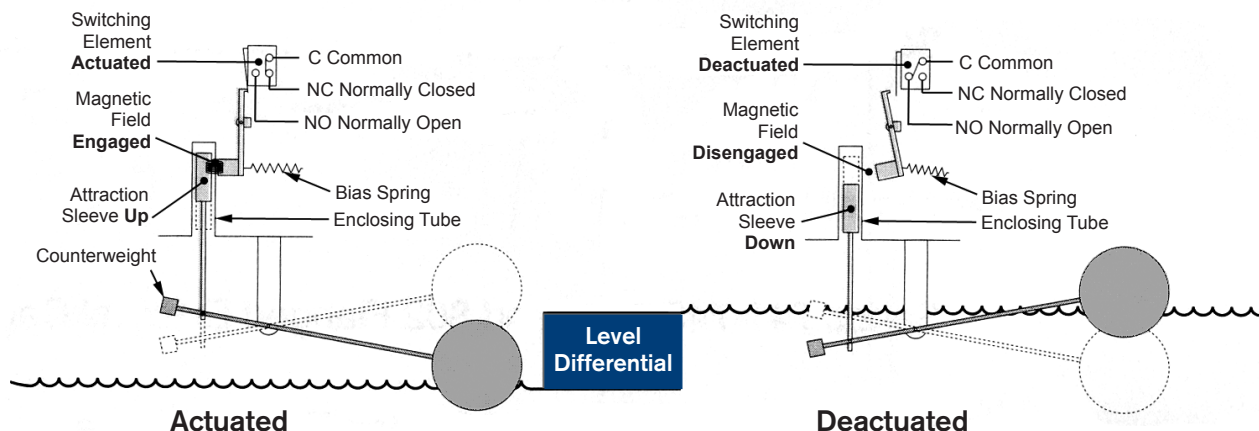
Float-Operated Level Switches - Horizontal

Model Series 108/208 and 400

The float rides on the process liquid surface, precisely tracking liquid surface motion.

Rising liquid level lifts the float via a pivot mechanism, sliding the attraction sleeve down inside the enclosing tube and out of the magnetic field to deactivate the electrical or pneumatic switch (signaling liquid presence).

Subsequently, falling liquid level lowers the float, drawing the attraction sleeve into the magnetic field to actuate the electrical or pneumatic switch (signaling liquid absence). Float-type level switches are generally able to handle high-temperature applications.



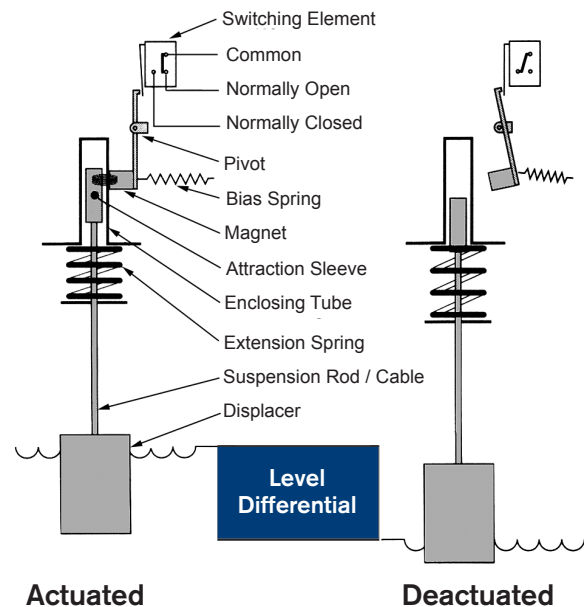
Displacer-Operated Level Switches

Model Series 700, 730, 740, 750 and 800

Displacer controls offer alternative features to the float-operated control. The sensor is a weight (displacer), heavier than the liquid, that is suspended by a spring. When liquid contacts the displacer, a buoyancy force is produced, which causes the effective weight of the displacer to change. This causes the spring to retract slightly to a new equilibrium position. When the spring retracts, the attraction sleeve also moves upward into the field of the external magnet, thus overcoming the force of the bias spring and actuating the switching element.

This principle provides for narrow or wide switching differential, and allows switching point alteration by moving the displacer(s) up or down the suspension cables.

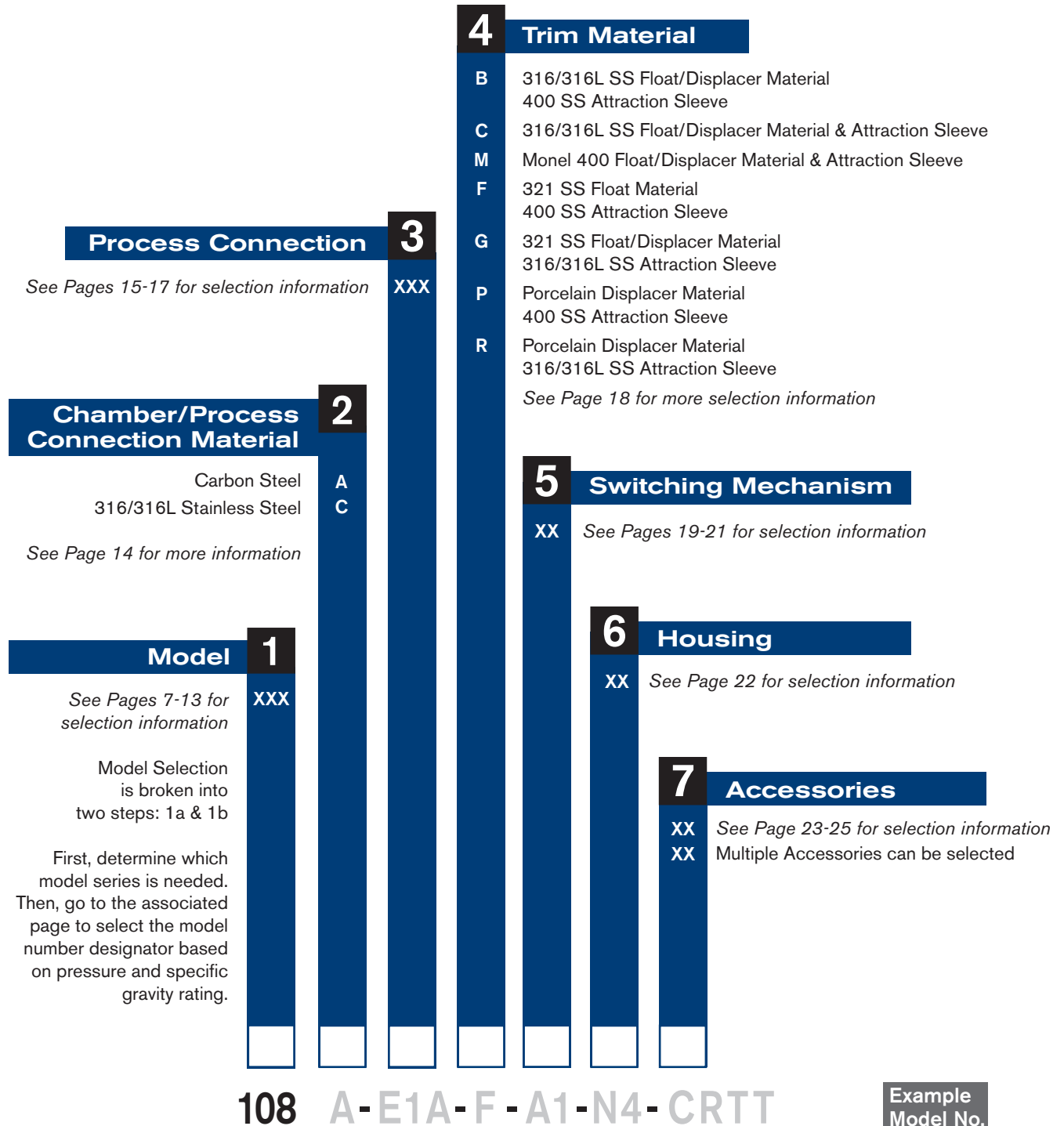
Displacers may be arranged in combinations of narrow and wide differential to operate up to three switching stages. Displacer controls operate under higher pressure conditions than float-operated switches.



How to Order

Below is the SOR quick select model number tree that provides you with options to configure and order a product for your application.

- You must select a **designator** for each component (see corresponding pages)
- Reference tables, charts and additional information are provided throughout the catalog to help you make your selections.



Step 1a: Model Selection FLOAT or DISPLACER

Level Switches

The first step to creating your model number is to determine whether a float or a displacer-based level switch is needed. See below for the different options for selecting the right technology for a specific application.






Float Selection

Float switches are inherently less expensive as they have a very simple operating mechanism compared to displacer technology. Because of this, they can operate extremely well in high temperature applications. The performance and functionality of a float switch are unaffected by changes in process conditions such as temperature, pressure, and dielectric properties. Floats however have limited pressure and SG capabilities compared to displacer technologies.

Displacer Selection

Displacer based type level switches have high pressure capabilities and can be used for level control and interface detection. Because it operates as a force balance, displacers can achieve lower SG capabilities than float based technologies. Displacer technologies are limited by temperature as the higher temperatures change the properties of the spring used as a counterforce of the displacer.

Model Series	Application
 <p>100 Series Flanged Serviceable External Chamber Float Switch (p. 8)</p>	<ul style="list-style-type: none"> Indirect mount is required because tank cannot be easily shutdown for service When turbulence is high enough to cause false readings/damage to the float Flanged service connection for maintenance, cleaning, or troubleshooting
 <p>200 Series Sealed Non-Serviceable External Chamber Float Switch (p. 9)</p>	<ul style="list-style-type: none"> Indirect mount is required because tank cannot be easily shutdown for service When turbulence is high enough to cause false readings/damage to the float The chamber is welded to prevent tampering and is lower cost
 <p>108, 208 Steam Condensate External Chamber Float Switch (p. 9)</p>	<ul style="list-style-type: none"> Horizontal float switch designed specifically to handle high temperature/pressure Low SG capabilities Steam applications Serviceable/Non-serviceable options
 <p>300 Series Top Insertion Mount Float Switch (p. 10)</p>	<ul style="list-style-type: none"> Quick and easy installation; direct mount Low Cost Solution Used for high level alarm/overflow protection
 <p>400 Series Side Insertion Mount Float Switch (p. 10)</p>	<ul style="list-style-type: none"> Quick and easy installation; direct mount Used for specific point level indication Can be installed at any height of the tank

Model Series	Application
 <p>741-743, 802 Flanged Serviceable External Chamber Displacer Switch (p. 11)</p>	<ul style="list-style-type: none"> Indirect mount is required because tank cannot be easily shutdown for service When turbulence is high enough to cause false readings/damage to the displacer Flanged service connection for maintenance, cleaning, or troubleshooting
 <p>740, 804 Sealed Non-Serviceable External Chamber Displacer Switch (p. 11)</p>	<ul style="list-style-type: none"> Indirect mount is required because tank cannot be easily shutdown for service When turbulence is high enough to cause false readings/damage to the displacer The chamber is welded to prevent tampering and is lower cost
 <p>700 Series Single-Stage Top Insertion Mount Displacer Switch (p. 12)</p>	<ul style="list-style-type: none"> Used for high alarm or level control through adjustable wide differential option Direct tank mount
 <p>730 Dual-Stage Top Insertion Mount Displacer Switch (p. 12)</p>	<ul style="list-style-type: none"> Used for high-high, high-low, and low-low level alarms Direct tank mount
 <p>750 Triple-Stage Top Insertion Mount Displacer Switch (p. 13)</p>	<ul style="list-style-type: none"> Three switching points to provide numerous combinations of ways to configure the point level switch outputs Direct tank mount

Level Switches

Step 1b: Model Selection Pressure Rating & Specific Gravity

108 A-E1A-F-A1-N4-CRTT

Using selected Model, refer to the charts on pages 8-13 to match required pressure rating and specific gravity, based on design temperature. Once model number has been selected, go to page 14 for Step 2.



100 Series Float operated with a flanged, serviceable external chamber.

Maximum Working Pressure See page 27 for higher temperatures.

Model	Chamber Material	Pressure at Listed Temperature in psi (bar)*					
		100°F (38°C)	200°F (93°C)	300°F (149°C)	350°F (177°C)	400°F (204°C)	450°F (232°C)
101	A106B	285 (19.7)	260 (17.9)	230 (15.9)	215 (14.8)	200 (13.8)	185 (12.8)
	316SS	275 (18.9)	235 (16.2)	215 (14.8)	205 (14.1)	195 (13.4)	182 (12.6)
102	A106B	500 (34.5)	500 (34.5)	500 (34.5)	486 (33.5)	473 (32.6)	460 (31.7)
	316SS	500 (34.5)	500 (34.5)	500 (34.5)	486 (33.5)	473 (32.6)	460 (31.7)
103	A106B	740 (51.0)	675 (46.6)	655 (45.2)	645 (44.5)	635 (43.8)	622 (42.9)
	316SS	720 (49.7)	620 (42.8)	560 (38.6)	537 (37.0)	515 (35.5)	497 (34.3)
104	A106B	990 (68.2)	900 (62.0)	875 (60.3)	860 (59.2)	845 (58.2)	822 (56.6)
	316SS	1000 (69.0)	1000 (69.0)	1000 (69.0)	973 (67.1)	946 (65.2)	920 (63.4)
109	A106B	285 (19.7)	260 (17.9)	230 (15.9)	215 (14.8)	200 (13.8)	185 (12.8)
	316SS	275 (18.9)	235 (16.2)	215 (14.8)	205 (14.1)	195 (13.4)	182 (12.6)
121	A106B	285 (19.7)	260 (17.9)	230 (15.9)	215 (14.8)	200 (13.8)	185 (12.8)
	316SS	275 (18.9)	235 (16.2)	215 (14.8)	205 (14.1)	195 (13.4)	182 (12.6)
122	A106B	350 (24.1)	350 (24.1)	350 (24.1)	340 (23.4)	331 (22.8)	322 (22.2)
	316SS	350 (24.1)	350 (24.1)	350 (24.1)	340 (23.4)	331 (22.8)	322 (22.2)
123	A106B	740 (51.0)	675 (46.6)	655 (45.2)	645 (44.5)	635 (43.8)	622 (42.9)
	316SS	720 (49.7)	620 (42.8)	560 (38.6)	537 (37.0)	515 (35.5)	497 (34.3)
124	A106B	1250 (86.2)	1250 (86.2)	1250 (86.2)	1216 (83.9)	1182 (81.5)	1150 (79.3)
	316SS	1250 (86.2)	1250 (86.2)	1120 (77.2)	1075 (74.1)	1030 (71.0)	992 (68.2)

Minimum Specific Gravity

Model	Single Switch			
	Note: Dual Switch, anti-vibration, pneumatic or extra-high temperature in ()			
	Standard		w/ ET or FE Option	
	316SS / 400SS "B" Trim	All 316SS "C" Trim	316SS / 400SS "B" Trim	All 316SS "C" Trim
101	0.52 (0.64)	0.56 (0.67)	0.56 (0.67)	0.60 (0.71)
102	0.62 (0.73)	0.66 (0.77)	0.65 (0.76)	0.69 (0.80)
103	0.51 (0.57)	0.53 (0.59)	0.53 (0.59)	0.55 (0.61)
104	0.62 (0.68)	0.64 (0.70)	0.64 (0.70)	0.66 (0.72)
109	0.38 (0.41)	0.39 (0.42)	0.39 (0.42)	0.40 (0.43)
121	0.66 (0.87)	0.73 (0.94)	0.72 (0.93)	0.79 (1.01)
122	0.66 (0.87)	0.73 (0.94)	0.72 (0.94)	0.79 (1.01)
123	0.93	0.98	0.99	1.04
124	0.94	0.99	1.00	1.05

*Consult the factory for pressure ratings and minimum SG of units with Monel trim.

Level Switches

Step 1b: Model Selection Pressure Rating & Specific Gravity

108 A-E1A-F-A1-N4-CRTT

200 Series Float-operated with sealed, tamper-proof external chamber.

Maximum Working Pressure See page 27 for higher temperatures.

Model	Chamber Material	Pressure at Listed Temperature in psi (bar)*					
		100°F (38°C)	200°F (93°C)	300°F (149°C)	350°F (177°C)	400°F (204°C)	450°F (232°C)
201	A106B 316SS	225 (15.5)	225 (15.5)	225 (15.5)	219 (15.1)	213 (14.7)	207 (14.3)
202	A106B 316SS	300 (20.7)	300 (20.7)	300 (20.7)	292 (20.1)	284 (19.5)	276 (19.0)
203	A106B 316SS	500 (34.5)	500 (34.5)	500 (34.5)	486 (33.5)	473 (32.6)	460 (31.7)
204	A106B 316SS	1250 (86.2)	1250 (86.2)	1250 (86.2) 1187 (81.9)	1216 (83.9) 1139 (78.6)	1182 (81.5) 1091 (75.2)	1150 (79.3) 1052 (72.6)
205	A106B 316SS	750 (51.7)	750 (51.7)	750 (51.7)	729 (50.3)	709 (48.9)	690 (47.6)
206	A106B 316SS	1000 (68.9)	1000 (68.9)	1000 (68.9) 945 (65.2)	973 (67.1) 907 (62.6)	946 (65.2) 869 (59.9)	920 (63.4) 838 (57.8)
207	A106B 316SS	1000 (68.9)	1000 (68.9)	1000 (68.9) 945 (65.2)	973 (67.1) 907 (62.6)	946 (65.2) 869 (59.9)	920 (63.4) 838 (57.8)
209	A106B 316SS	450 (31.0)	450 (31.0)	450 (31.0)	438 (30.2)	426 (29.4)	414 (28.6)
221	A106B 316SS	350 (24.1)	350 (24.1)	350 (24.1)	340 (23.4)	331 (22.8)	322 (22.2)



Minimum Specific Gravity

Model	Single Switch			
	Note: Dual Switch, anti-vibration, pneumatic or extra-high temperature in ()			
	Standard		w/ ET or FE Option	
	316SS / 400SS "B" Trim	All 316SS "C" Trim	316SS / 400SS "B" Trim	All 316SS "C" Trim
201	0.38 (0.44)	0.40 (0.46)	0.40 (0.44)	0.42 (0.48)
202	0.52 (0.63)	0.55 (0.67)	0.55 (0.66)	0.59 (0.70)
203	0.61 (0.72)	0.65 (0.76)	0.64 (0.75)	0.68 (0.79)
204	0.91	0.96	0.98	1.03
205	0.50 (0.56)	0.52 (0.58)	0.52 (0.58)	0.54 (0.60)
206	0.65 (0.75)	0.68 (0.79)	0.68 (0.79)	0.71 (0.82)
207	0.61 (0.67)	0.63 (0.69)	0.63 (0.69)	0.65 (0.71)
209	0.38 (0.41)	0.39 (0.42)	0.39 (0.42)	0.40 (0.43)
221	0.64 (0.86)	0.72 (0.93)	0.71 (0.92)	0.78 (0.99)

*Consult the factory for pressure ratings and minimum SG of units with Monel trim.

108/208 Float operated, horizontal mounted switches with sealed, tamper-proof or flanged, serviceable chambers. See page 27 for pressure ratings at higher temperatures.

Maximum Working Pressure

Model	Chamber Material	Pressure at Listed Temperature in psi (bar)					
		100°F (38°C)	200°F (93°C)	300°F (149°C)	350°F (177°C)	400°F (204°C)	450°F (232°C)
108	A106B 316SS	740 (51.0)	675 (46.5)	655 (45.1)	645 (44.4)	635 (43.7)	622 (42.8)
		720 (49.6)	620 (42.7)	560 (38.6)	537 (37.0)	515 (35.5)	497 (34.2)
208	A106B 316SS	1794 (123.6)	1794 (123.6)	1794 (123.6)	1794 (123.6)	1794 (128.0)	1794 (128.0)
		2248 (155.0)	1937 (133.5)	1746 (120.3)	1644 (113.4)	1602 (110.4)	1548 (106.7)



Minimum Specific Gravity For all model series 108/208, single switch only is equal to .65. Consult the factory for units used with specific gravity lower than .65.

Level Switches

Step 1b: Model Selection Pressure Rating & Specific Gravity

108 A-E1A-F-A1-N4-CRTT

300 Series Float-operated and suitable for top-insertion mounting.

Maximum Working Pressure

Model	Pressure at Listed Temperature in psi (bar)*					
	100°F (38°C)	200°F (93°C)	300°F (149°C)	350°F (177°C)	400°F (204°C)	450°F (232°C)
301	225 (15.5)	225 (15.5)	225 (15.5)	219 (15.1)	213 (14.6)	207 (14.2)
303	500 (34.4)	500 (34.4)	500 (34.4)	486 (33.5)	473 (32.6)	460 (31.7)
304	750 (51.7)	750 (51.7)	750 (51.7)	729 (50.2)	709 (48.8)	690 (47.5)

Minimum Specific Gravity

Model	Insertion Depth** (inches)	Single Switch		
		Note: Dual Switch, anti-vibration, pneumatic or extra-high temperature in ()		
		316SS/400SS Trim (B)	All 316SS Trim (C)	All Monel Trim (M)
301	24	.40 (.45)	.42 (.48)	.48 (.54)
	48	.44 (.49)	.46 (.52)	.53 (.59)
303	24	.68 (.79)	.72 (.84)	.82 (.93)
	48	.75 (.87)	.80 (.91)	.91 (1.02)
304	24	.52 (.58)	.55 (.61)	.62 (.68)
	48	.56 (.62)	.59 (.65)	.67 (.73)



* Consult the factory for pressure ratings and minimum SG of units with Monel trim.

** Insertion depth is defined as the approximate value of a rising level setpoint at a Specific Gravity of 1.0.

If more precise setpoint action is required, please select the SC option from the accessories section of the catalog.

Note: An insertion depth or SC information must be supplied at the time of order on all 300 series switches.

400 Series Float-operated and suitable for horizontal-insertion mounting.

Maximum Working Pressure

Model	Chamber Material	Pressure at Listed Temperature in psi (bar)*					
		100°F (38°C)	200°F (93°C)	300°F (149°C)	350°F (177°C)	400°F (204°C)	450°F (232°C)
401	A106B 316SS	230 (15.8)	230 (15.8)	230 (15.8)	224 (15.4)	218 (15.0)	212 (14.6)
402	A106B 316SS	350 (24.1)	350 (24.1)	350 (24.1)	340 (23.4)	331 (22.8)	322 (22.2)
403	A106B 316SS	230 (15.8)	230 (15.8)	230 (15.8) 215 (14.8)	215 (14.8) 205 (14.1)	200 (13.7) 195 (13.4)	185 (12.7) 182 (12.5)
404	A106B 316SS	500 (34.4)	500 (34.4)	500 (34.4)	486 (33.5)	473 (32.6)	460 (31.7)
405	A106B 316SS	740 (51.0)	675 (46.5)	655 (46.1)	645 (44.4)	635 (43.7)	618 (42.6)
		720 (49.6)	620 (42.7)	560 (38.6)	537 (37.0)	515 (35.5)	497 (34.2)
406	A106B 316SS	1250 (86.2)	1250 (86.2)	1250 (86.2)	1216 (83.8)	1182 (81.5)	1150 (79.3)
			1240 (85.5)	1120 (77.2)	1075 (74.1)	1030 (71.0)	992 (68.4)

Minimum Specific Gravity

Model	Single Switch
401	.50
402	.90
403	.50
404	.60
405	.60
406	.60

Note: Insertion depth may affect minimum specific gravity.

*Consult the factory for pressure ratings and minimum SG of units with Monel trim



Level Switches

Step 1b: Model Selection Pressure Rating & Specific Gravity

108 A-E1A-F-A1-N4-CRTT

741-743 and 802 Displacer-operated with flanged, serviceable external chambers.

Maximum Working Pressure

Model	Chamber Material	Pressure at Listed Temperature in psi (bar)*					
		100°F (38°C)	200°F (93°C)	300°F (149°C)	350°F (177°C)	400°F (204°C)	450°F (232°C)
741	A106B	285 (19.7)	260 (17.4)	230 (15.8)	215 (14.8)	200 (13.7)	185 (12.7)
	316SS	275 (18.9)	240 (16.5)	215 (14.8)	205 (14.1)	195 (13.4)	182 (12.5)
742	A106B	740 (51.0)	680 (46.9)	655 (45.1)	645 (44.4)	635 (43.7)	618 (42.6)
	316SS	720 (49.6)	620 (42.7)	560 (38.6)	537 (37.0)	515 (35.5)	497 (34.2)
743	A106B	1480 (102.0)	1294 (89.2)	1166 (80.4)	1118 (77.1)	1070 (73.8)	1034 (71.3)
	316SS	1440 (99.3)	1240 (85.5)	1120 (77.2)	1075 (74.1)	1025 (70.7)	990 (68.3)
802	A106B	3376 (232.8)	3376 (232.8)	3270 (225.5)	3220 (222.0)	3170 (218.6)	3092 (213.2)
	316SS	3600 (248.2)	3095 (213.4)	2795 (192.7)	2683 (185.0)	2570 (177.2)	2480 (171.0)

*Consult the factory for pressure ratings of units with Monel trim. Standard displacer units are not available above 450°F (232°C). For higher temperatures up to 650°F (343°C), a special high temperature spring is available.

Minimum Specific Gravity

Model	Standard Switch	Anti-Vibration or Pneumatic Switch
741		
742	0.43	0.57
743		
802	0.41	0.5

740 and 804 Displacer-operated with sealed, tamper-proof external chambers.

Maximum Working Pressure

Model	Chamber Material	Pressure at Listed Temperature in psi (bar)*					
		100°F (38°C)	200°F (93°C)	300°F (149°C)	350°F (177°C)	400°F (204°C)	450°F (232°C)
740	A106B 316SS	1480 (102.0)	1465 (101.0)	1450 (100.0)	1436 (99.0)	1420 (97.9)	1380 (95.1)
804	A106B	3376 (232.8)	3376 (232.8)	3376 (232.8)	3376 (232.8)	3376 (232.8)	3376 (232.8)
	316SS	3728 (257.0)	3647 (251.5)	3286 (226.6)	3151 (217.3)	3016 (207.9)	2915 (201.0)

*Consult the factory for pressure ratings of units with Monel trim. Standard displacer units are not available over 450°F (232°C). For higher temperatures up to 650°F (343°C), a special high temperature spring is available.

Minimum Specific Gravity

Model	Standard Switch	Anti-Vibration or Pneumatic Switch
740	0.43	0.57
804	0.41	0.50

Level Switches

Step 1b: Model Selection Pressure Rating & Specific Gravity

108 A-E1A-F-A1-N4-CRTT

700 Series Single-stage, displacer-operated and suitable for top-insertion tank mounting.
Maximum Working Pressure

Model	Minimum Specific Gravity ^{1,2,3}	Function	Connection Style	Displacer Material	Connection Material	Pressure Rating - psi (bar)	
						100°F (38°C)	450°F (232°C) ⁴
701	0.48	Narrow Differential	NPT	Porcelain	All	1000 (69)	750 (52)
702	0.43			SS	All	1000 (69)	750 (52)
703	0.48		Flange	Porcelain	A105	285 (20)	185 (13)
					316SS	275 (19)	182 (13)
704	0.43	Flange	SS	A105	285 (20)	185 (13)	
				316SS	275 (19)	182 (13)	
705	0.32	Wide Differential	NPT	Porcelain	All	1000 (69)	750 (52)
706	0.29			SS	All	1000 (69)	750 (52)
707	0.32		Flange	Porcelain	A105	285 (20)	185 (13)
					316SS	275 (20)	182 (13)
708	0.29		Flange	SS	A105	285 (20)	185 (13)
					316SS	275 (19)	182 (13)

- Notes:**
1. An operating specific gravity is required for all 705 through 708 models at time of order.
 2. Minimum SG based on standard sized displacers and units without anti-vibration, pneumatic or extra high temperature switches.
 3. For SS displacers, lower SG's may be achieved using non-standard sized sensors.
 4. Standard displacer units are not available over 450°F (232°C). For higher temperatures up to 650°F (343°C), a special high temperature spring is available.

730 Series Dual-stage, displacer-operated and suitable for top-insertion tank mounting.
Maximum Working Pressure

Model	Minimum Specific Gravity ^{1,2,3}	Function	Connection Style	Displacer Material	Connection Material	Pressure Rating - psi (bar)	
						100°F (38°C)	450°F (232°C) ⁴
730	0.64	Narrow Differential	NPT	Porcelain	All	1000 (69)	750 (52)
731	0.57			SS	All	1000 (69)	750 (52)
732	0.64		Flange	Porcelain	A105	285 (20)	185 (13)
					316SS	275 (19)	182 (13)
733	0.57	Flange	SS	A105	285 (20)	185 (13)	
				316SS	275 (19)	182 (13)	
734	0.55	Wide Differential	NPT	Porcelain	All	1000 (69)	750 (52)
735	0.49			SS	All	1000 (69)	750 (52)
736	.055		Flange	Porcelain	A105	285 (20)	185 (13)
					316SS	275 (20)	182 (13)
737	0.49		Flange	SS	A105	285 (20)	185 (13)
					316SS	275 (19)	182 (13)

- Notes:**
1. An operating specific gravity is required for all 730 models at time of order.
 2. Minimum SG based on standard sized displacers and units without anti-vibration, pneumatic or extra high temperature switches.
 3. For SS displacers, lower SG's may be achieved using non-standard sized sensors.
 4. Standard displacer units are not available over 450°F (232°C). For higher temperatures up to 650°F (343°C), a special high temperature spring is available.

Level Switches

Step 1b: Model Selection Pressure Rating & Specific Gravity

108 A-E1A-F-A1-N4-CRTT

750 Series Three-stage, displacer-operated and suitable for top-insertion tank mounting.
Maximum Working Pressure

Model	Minimum Specific Gravity ^{1 2 3}	Function	Connection Style	Displacer Material	Connection Material	Pressure Rating - psi (bar)	
						100°F (38°C)	450°F (232°C) ⁴
750	0.80	Narrow Differential	NPT	Porcelain	All	1000 (69)	750 (52)
751	0.71			SS	All	1000 (69)	750 (52)
752	0.80		Flange	Porcelain	A105	285 (20)	185 (13)
					316SS	275 (19)	182 (13)
753	0.71	Flange	SS	A105	285 (20)	185 (13)	
				316SS	275 (19)	182 (13)	
754	0.85	Wide Differential	NPT	Porcelain	All	1000 (69)	750 (52)
755	0.81			SS	All	1000 (69)	750 (52)
756	0.85		Flange	Porcelain	A105	285 (20)	185 (13)
					316SS	275 (20)	182 (13)
757	0.81	Flange	SS	A105	285 (20)	185 (13)	
				316SS	275 (19)	182 (13)	



- Notes:**
1. An operating specific gravity is required for all 750 models at time of order.
 2. Minimum SG based on standard sized displacers and units without anti-vibration, pneumatic or extra high temperature switches.
 3. For SS displacers, lower SG's may be achieved using non-standard sized sensors.
 4. Standard displacer units are not available over 450°F (232°C). For higher temperatures up to 650°F (343°C), a special high temperature spring is available.

Level Switches

Step 2: Chamber/Process Connection Material

108 **A**-E1A-F-A1-N4-CRTT

Select chamber process connection material from the following chart. Maximum working pressure shown in the charts in Step 1b is based on the material selected here. **Alternate materials can be provided, please consult the factory.**

Model	Material	Designator
All Models	Carbon Steel	A
	316/316L Stainless Steel	C

Note: Chambered models supplied with A105 and A234-WPB fittings for Carbon steel and A182-316/316L and A403-316/316L fittings for Stainless Steel configurations.

High Temperature Selection Chart

Chamber Material (Select one)	Designator	Maximum Temperature																	
		0-400°F (204°C)	≤ 450°F (232°C)	≤ 500°F (260°C)	≤ 550°F (288°C)	≤ 600°F (316°C)	≤ 650°F (343°C)	≤ 700°F (371°C)	≤ 750°F (399°C)	≤ 800°F (427°C)	≤ 850°F (454°C)	≤ 900°F (482°C)	≤ 950°F (510°C)	≤ 1000°F (538°C)	≤ 1050°F (566°C)	≤ 1100°F (593°C)	≤ 1150°F (621°C)	≤ 1200°F (649°C)	
A106B Carbon Steel 304/304LSS 316/316LSS	A	-----																	
	Consult Factory	-----																	
	C	-----																	
	Consult Factory	-----																	
A333 GR.6	Consult Factory	-----																	
A335-P11 Chrome Moly	Consult Factory	-----																	
A335-P91	Consult Factory	-----																	
Hastelloy C	Consult Factory	-----																	
Alloy-20	Consult Factory	-----																	
Monel-400	Consult Factory	-----																	

Level Switches

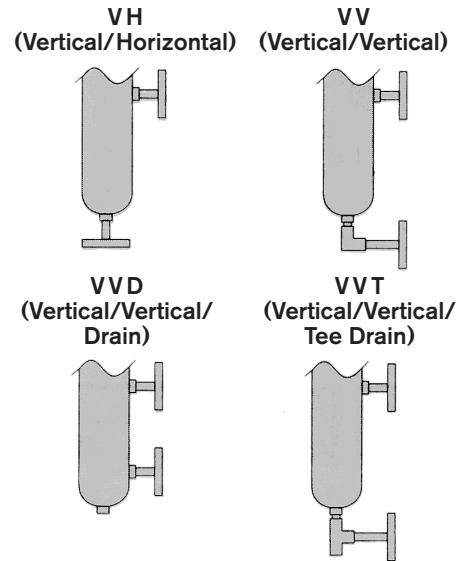
Step 3: Process Connection

108 A-E1A-F-A1-N4-CRTT

Select a process connection, size, style and rating from the charts below. Consult the factory for variations. Flanged process connections may reduce the maximum working pressure of the unit.

100 and 200 Series See page 33-36 for dimensions.

Model	Style	Size	Connection Designator				
			Standard		Flange		
			NPT Thread	Socket Weld	150#	300#	600#
100 Series	VH	1"	A1A	A1B	A1C	A1D	A1E
	VV		-	-	B1C	B1D	B1E
	VVD		C1A	C1B	C1C	C1D	C1E
	VVT		-	-	D1C	D1D	D1E
200 Series	VH	1-1/2"	A5A	A5B	A5C	A5D	A5E
	VV		-	-	B5C	B5D	B5E
	VVD		C5A	C5B	C5C	C5D	C5E
	VVT		-	-	D5C	D5D	D5E
	VH	2"	A2A*	A2B*	A2C	A2D	A2E
	VV		-	-	B2C	B2D	B2E
	VVD		C2A*	C2B*	C2C	C2D	C2E
	VVT		-	-	D2C	D2D	D2E



*Not available on models 121, 122, 221.

108 and 208 Series See page 37 for dimensions.

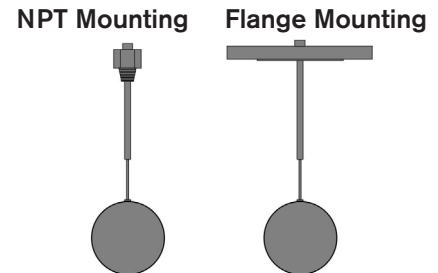
Model	Size	Style	Connection Designator
108 208	1"	NPT	E1A
		Socket Weld	E1B
	1-1/2"	NPT	E5A
		Socket Weld	E5B
	2"	NPT	E2A
		Socket Weld	E2B

NPT connections not recommended above 900°F.



300 Series See page 38 for dimensions.

Model	Size	Connection Designator			
		Standard		Flange	
		NPT Thread	150#	300#	600#
300 Series	1"	F1A	-	-	-
	2"	F2A	-	-	-
	3"	F3A	F3C	F3D	F3E
	4"	-	F4C	F4D	F4E
	6"	-	F6C	F6D	F6E



Note: It is important to consider the installation configuration when selecting the process connection. Be sure that the float will fit through the process connection, or that the vessel has access to attach the float from inside the vessel after instrument installation. See page 38 for float dimensions.

Level Switches

Step 3: Process Connection

108 A-E1A-F-A1-N4-CRTT

400 Series See page 39 for dimensions.

Model	Float Size	Connection Designator		
		Connection Size	Style	Designator
401	3"	3"	NPT(M) Thread	G3A
402	2-1/2"	2-1/2"	NPT(M) Thread	G7A
403	3"	3"	150# RF Weld Neck Flange	G3F
403	3"	4"	150# RF Weld Neck Flange	G4F
404	3 x 6"	3"	NPT(M) Thread	G3A
405	3 x 6"	3"	300# RF Weld Neck Flange	G3G
405	3 x 6"	4"	300# RF Weld Neck Flange	G4G
406	3 x 6"	3"	600# RF Weld Neck Flange	G3H
406	3 x 6"	4"	600# RF Weld Neck Flange	G4H

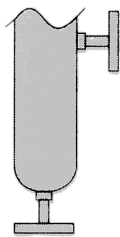
Note: 3" flanged process connections may require the float to be installed from inside the process connection.

740 Series, 741-743, 802, 804 See page 40-43 for dimensions.

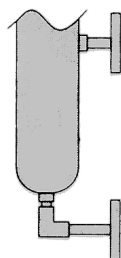
Model	Style	Connection Size	Standard		Flange			
			NPT Thread	Socket Weld	150# RF	300# RF	600# RF	1500# RTJ
740 741-743 802 804	VH	1"	A1A	A1B	A1C	A1D	A1E	A1T
	VV		-	-	B1C	B1D	B1E	B1T
	VVD		C1A	C1B	C1C	C1D	C1E	C1T
	VVT		-	-	D1C	D1D	D1E	D1T
	VH	1-1/2"	A5A	A5B	A5C	A5D	A5E	A5T
	VV		-	-	B5C	B5D	B5E	B5T
	VVD		C5A	C5B	C5C	C5D	C5E	C5T
	VVT		-	-	D5C	D5D	D5E	D5T
	VH	2"	A2A*	A2B*	A2C	A2D	A2E	A2T
	VV		-	-	B2C	B2D	B2E	B2T
	VVD		C2A*	C2B*	C2C	C2D	C2E	C2T
	VVT		-	-	D2C	D2D	D2E	D2T

*Not available on Models 740, 741, 742, and 743.

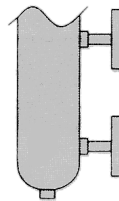
Note: Flanged process connections may reduce the maximum working pressure of the unit.



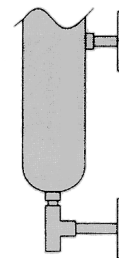
VH
(Vertical/Horizontal)



VV
(Vertical/Vertical)



VVD
(Vertical/Vertical/Drain)



VVT
(Vertical/Vertical/Tee Drain)

Level Switches

Step 3: Process Connection

108 A-E1A-F-A1-N4-CRTT

700, 730 and 750 Series See page 44-46 for dimensions.

Model	Connection Size	Style	Connection Designator
701 702 705 706 730 731 734	2-1/2"	NPT	F7A
735 750 751 754 755	3"	NPT	F3A
703 704 707 708	3"	150# RF Flange	F3C
732 733 736 737		300# RF Flange	F3D
752 753 756 757	4"	150# RF Flange	F4C
		300# RF Flange	F4D
	6"	150# RF Flange	F6C
		300# RF Flange	F6D

Note: Flanged process connections may reduce the maximum working pressure of the unit.

Level Switches

Step 4: Trim Material

108 A-E1A-F-A1-N4-CRTT

Select the internal trim material from the chart below.

Model	Float/Displacer Material	Attraction Sleeve Material	Available with Chamber Material	Trim Designator
100 Series 200 Series	316/316L SS	400 SS	A106 Carbon Steel (A) only	B
300 Series 400 Series 741-743	316/316L SS	316/316L SS	A106 Carbon Steel (A) or 316/316L SS (C)	C
802 740-804	Monel 400	Monel 400	A106 Carbon Steel (A) or 316/316L SS (C)	M
108	321 SS	400 SS	A106 Carbon Steel (A) only	F
208	321 SS	316/316L SS	A106 Carbon Steel (A) or 316/316L SS (C)	G
702 704 706 708 731 733 735 737	316/316L SS	400 SS	A106 Carbon Steel (A) only	B
751 753 755 757	316/316L SS	316/316L SS	A106 Carbon Steel (A) or 316/316L SS (C)	C
701 703 705 707 730 732 734 736 750 752 754 756	Porcelain	400 SS	A106 Carbon Steel (A) only	P
	Porcelain	316/316L SS	A106 Carbon Steel (A) or 316/316L SS (C)	R

Note: Consult the factory for pressure ratings on Monel trim. Standard displacer spring material is Inconel 600.

Level Switches

Step 5: Switching Mechanism

108 A-E1A-F-A1-N4-CRTT

SOR switching mechanisms are designed for use in harsh industrial atmospheres. SOR offers a variety of electrical and pneumatic switching mechanism types to fit a wide range of applications. The basic types of switch mechanisms available are listed below. See page 20 for specifications.

All SOR switching mechanisms are constructed from stainless steel and other durable manufactured materials. Each mechanism is individually calibrated and inspected to insure accuracy and repeatability. See below for the benefits and application of each switch type. All mechanisms are interchangeable with most competitor units.



Types A, B, C, E; Standard Dry-Contact Switches

Standard dry-contact switches have open mechanisms and exposed switching elements. These switching mechanisms are easy to maintain. Visual confirmation of operation is obvious. Dry-contact switch mechanisms are recommended for most level switch applications and are available in SPDT and DPDT switch arrangements.

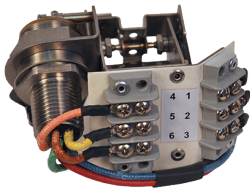
- High-load carrying capacity
- High-quality phenolic insulator
- Vibration resistance
- Versatility of application



Types F, G, H; Hermetically Sealed Switches

Hermetically sealed switches are entirely enclosed in a hermetically sealed enclosure. Both switching elements and mechanisms are sealed. Good for volatile atmospheres and low temperatures.

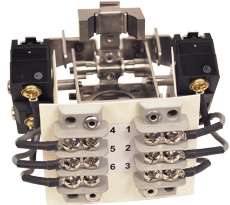
- Completely enclosed switching mechanism and switch contacts
- Long-term reliability in harsh environmental conditions
- Vibration resistance



Types L, S, T, V; Mini-Hermetically Sealed Switches

Mini-hermetically sealed switches have a hermetically sealed switch element on an exposed mechanism. Good for high-temperature service and normal applications that require hermetically sealed contacts.

- Rugged stainless steel construction
- Class I Group A rating for use in hazardous areas
- Vibration resistance
- High operating temperature limits



Types D and R; Anti-Vibration Switches

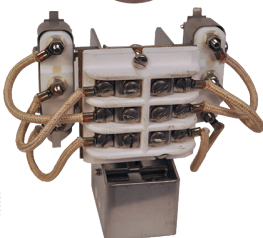
Anti-Vibration Switches employ two magnets to provide vibration protection. Dual magnets prevent false trips by providing a positive mechanical lock to the enclosing tube when the switch is in any position. (Type T switches are mini-hermetically sealed units with dual magnets.)



Type J: Pneumatic Switch

Pneumatic switches are available for applications that prohibit electrical switching or where electricity is not available.

- Three-way aluminum valve
- Anti-vibration design
- 1/4" NPT ports in 316SS for additional corrosion resistance



Type Y: Extra-High Temperature Switch

The Y Series level switch mechanism is designed to operate normally under extremely high-temperature conditions. Constructed of stainless steel, ceramic, and oxidation-resistant alloys, the Y Series is designed to counteract the warping and seizure normally associated with this type of mechanism in high temperatures. The Y Series switch is especially well suited for power plant conditions.

- Mica/glass insulation on wires and switches
- Stainless steel and ceramic switch element and terminal block
- Switch mechanism rated at 800°F (427°C) continuous process temperature
- Can be combined with external temperature protection to function in temperatures up to 1200°F (649°C)
- Dual magnets for vibration protection

Level Switches

Step 5: Switching Mechanism

108 A-E1A-F-A1-N4-CRTT

Switch Designator		Resistive Amperage					Inductive Amperage					Minimum Temperature ¹	Maximum Temperature ²
		110-130VAC	210-250VAC	20-30VDC	110-130VDC	210-250VDC	110-130VAC	210-250VAC	20-30VDC	110-130VDC	210-250VDC		
A	Standard Dry Contact	15	15	5	.5	.25	15	15	5	.4	.13	-15°F (-26°C)	250°F (121°C)
B	Hi-Temperature Dry Contact	5	5	1.5	.5	-	5	5	1	.25	-	-15°F (-26°C)	400°F (204°C)
C	Gold Contact	1	-	1	-	-	1	-	.5	-	-	-15°F (-26°C)	250°F (121°C)
D	Anti-Vibration	15	15	5	.5	.25	15	15	5	.4	.13	-15°F (-26°C)	250°F (121°C)
E	High-Amp DC	-	-	10	10	3	-	-	10	10	3	-15°F (-26°C)	250°F (121°C)
F	Hermetically Sealed	11	11	5	.5	.25	11	11	.25	.25	.13	-65°F (-54°C)	250°F (121°C)
G ⁷	Gold Contact Hermetically Sealed	1	-	1	-	-	1	-	.5	-	-	-65°F (-54°C)	250°F (121°C)
H	High-Temperature Hermetically Sealed	5	5	1.5	.3	-	5	5	1	.25	-	-65°F (-54°C)	350°F (177°C)
L ⁵	Mini-Hermetically Sealed	DPDT	5	5	5	.5	-	5	5	2.5	.25	-15°F (-26°C)	250°F (121°C)
		SPDT	11	11	5	.5	.25	11	11	2.5	.25		
R	Anti-Vibration Gold Contact	1	-	1	-	-	1	-	.5	-	-	-15°F (-26°C)	250°F (121°C)
S ⁷	Gold Contact Mini-Hermet	1	-	1	-	-	1	-	.5	-	-	-15°F (-26°C)	250°F (121°C)
T ⁵	Anti-Vibration Mini-Hermet	DPDT	5	5	5	.5	-	5	5	2.5	.25	-15°F (-26°C)	250°F (121°C)
		SPDT	11	11	5	.5	.25	11	11	2.5	.5		
V ⁷	High-Temperature Mini-Hermet	5	5	1.5	.5	-	5	5	1	.25	-	-15°F (-26°C)	400°F (204°C)
Y ⁶	Extra-High Temperature (Ceramic)	1	1	1	.4	-	1	1	.4	-	-	-40°F (-40°C) Note 3	800°F (427°C)
J ⁴	Pneumatic 316SS Fittings	Non-bleed 3-way aluminum valve body. Buna-N O-Rings 150 psi maximum supply, 24CFM @ 100 psi										5°F (-15°C)	200°F (93°C)

Notes

1. Minimum ambient temperature at which the switch mechanism will operate normally. This may vary according to actual climatic conditions. Actual minimum process temperature may be much lower. Consult the factory for details.
2. Maximum process temperature at which the switch mechanism will operate normally. This can be increased according to the type of process. Refer to pages 25-26 for more details.
3. -40°F Temperature rating with no icing.
4. Pneumatic switches must be used with clean, dry air or gas.
5. These switch designators have higher current rating for SPDT than DPDT.
6. Manufacturer specifications state maximum operating humidity must be <85% and minimum power rating is 100mW.
7. For high humidity environments and low current (<100mA), use hermetically sealed gold contact switches (S & G switches). For high temperatures, high humidity, and low current, a "V" switch is available with gold contacts upon request.

Level Switches

Step 5: Switching Mechanism 108 A-E1A-F-A1-N4-CRTT

Select the switch mechanism from the chart below. See page 20 for contact and temperature ratings.

Switch Type	SPDT Single Pole Double Throw			DPDT Double Pole Double Throw			3-Way Valve	Available Agency Listings						
	Single	Dual	Triple	Single	Dual	Triple	Single	CSA	UL	ATEX/IECEX (flameproof)	ATEX/IECEX (IS)	INMETRO (flameproof)	INMETRO (IS)	Rostechnadzor (RTN)
Switching Stages														
Switching Description	Designator													
Standard Dry Contact	A1	A2	A3	A4	A5	A8	-	•	•	•		•		•
High-Temperature Dry Contact	B1	B2	B3	B4	B5	B8	-	•	•	•		•		•
Gold Contact	C1	C2	C3	C4	C5	C8	-	•	•	•	•	•	•	•
Anti-Vibration Dry Contact ¹	D1 ¹	-	-	D4 ¹	-	-	-	•	•	•		•		•
High-Amperage DC Service	E1	E2	E3	E4	E5	E8	-	•	•	•		•		•
Hermetically Sealed	F1	F2	F3	F4	F5	F8	-	•	•	•		•		•
Gold Contact Hermetically Sealed	G1	G2	G3	G4	G5	G8	-	•	•	•	•	•	•	•
High-Temperature Hermetically Sealed	H1	H2	H3	H4	H5	H8	-	•	•	•		•		•
Standard Mini-Hermetically Sealed	L1	L2	L3	L4	L5	L8	-	•	•	•		•		•
Anti-Vibration Gold Contact ¹	R1 ¹	-	-	R4 ¹	-	-	-	•	•	•	•	•	•	•
Gold Contact Mini-Hermet	S1	S2	S3	S4	S5	S8	-	•	•	•	•	•	•	•
Anti-Vibration Mini-Hermet ¹	T1 ¹	-	-	T4 ¹	-	-	-	•	•	•		•		•
High-Temperature Mini-Hermet	V1	V2	V3	V4	V5	V8	-	•	•	•		•		•
Extra-High Temperature (Ceramic) Pneumatic Non-Bleed with 316SS Fittings	Y1 ¹	-	-	Y4 ¹	-	-	-	•	•	•	•	•	•	•
	-	-	-	-	-	-	JO ^{1,2}							
Available with models:														
100-200-300-740-800 Series	•	•		•	•			•	•	•	•	•	•	•
108/208-400 Series	•			•				•	•	•	•	•	•	•
700 Series	•			•				•	•	•	•	•	•	•
730		•			•			•	•	•	•	•	•	•
750 (enclosures N1, N8 or B5 only)			•			•		•	•	•	•	•	•	•

Notes

1. These switches use two magnets and must be considered dual mechanisms when figuring minimum specific gravity.
2. Pneumatic switching mechanisms must be specified with P1 housing.

Level Switches

Step 6: Housing

108 A-E1A-F-A1-**N4**-CRTT

SOR housings are designed to protect the switching mechanisms from harsh environmental conditions, as well as protecting the surrounding atmosphere from potential ignition sources. The basic types of housings are listed below.

General Purpose, NEMA 4x Housings

- Heavy duty cast aluminum
- All housings are rated NEMA 4x (IP66) as a minimum

Explosion-Proof Housings

- Available in aluminum or cast iron
- Ratings as shown in chart below

Pneumatic Switch Housings

- Required for use with a pneumatic switching mechanism
- General Purpose, NEMA 4 (IP66) only



Switch Housings

Select the housings from the chart below

Housing Designator	Description	Electical/ Pneumatic Connections	Enclosure Rating ²	Approvals						Available with Models					
				Canada	USA	ATEX	IECEX	Rostechnadzor	INMETRO	100, 200, 300	108, 208, 400	740, 800	700's	730's	750's
B1	Aluminum	1" NPT	Groups B C D E F G	■	■			○		○	○	○	○	○	
B2	Cast Iron		Groups B C D E F G	■	■			○		○	○	○	○	○	
B5 ²	Aluminum Extended		Groups B C D E F G	■	■			○							○
N1	Aluminum Extended		NEMA 4, 4X	■				○							○
N4	Aluminum		NEMA 4, 4X	○	■			○		○	○	○	○	○	
N7	Aluminum		Groups C D F G	■	■			○		○	○	○	○	○	
N8	Aluminum Extended		Groups C D E F G	■	■			○							○
P1 ¹	Aluminum Pneumatic		(3) 1/4" NPT	NEMA 4, 4X							○	○	○	○	
S3	Aluminum	1" NPT w/ M20 x 1.5 adapter ³	Ex d IIC T6 Gb			○	■	○	○	○	○	○	○	○	
S8 ²	Cast Iron		Ex d IIC T6				■	○		○	○	○	○	○	
T6 ²	Cast Iron		Ex d IIC T6 Gb			■	■	○		○	○	○	○	○	

- – Available
- – Standard

Notes:

1. P1 housing must be used with pneumatic switch mechanisms.
2. B5 housing is rated for Groups B C D E F G in Canada, and Groups C D F G in the USA.
3. M20 adapters are brass. Consult factory for alternate materials.

Level Switches

Step 7: Accessories/Certificates

108 A-E1A-F-A1-N4-**CRTT**

SOR accessories are provided for customizing the level switches in this catalog according to the requirements of the application. Place accessory designator(s) from the table below at the end of the model number. Check the compatibility chart below for correct use of each accessory.

Accessory Designator	Description	Model Series									
		100	200	108/208	300	400	741-743 802	740 804	700	730	750
AF ¹	Air Filter & Gauge	●	●	●	●	●	●	●	●	●	
CL	ATEX/IECEX Approval for S3 Hsg	●	●	●	●	●	●	●	●	●	
CN ⁷	Conduit Reducer M20 x 1.5	●	●	●	●	●	●	●	●	●	●
CP ⁷	Conduit Reducer 1/2" NPT	●	●	●	●	●	●	●	●	●	●
CR ⁷	Conduit Reducer 3/4" NPT	●	●	●	●	●	●	●	●	●	●
CS ²	CSA Certification	●	●	●	●	●	●	●	●	●	●
CV	Canadian Registration Number (CRN)	●	●	●	●	●	●	●	●	●	●
CY	Certificate of Conformance (Power Piping, ASME 31.1)	●	●	●		●	●	●			
CZ ³	Certificate of Conformance (Process Piping, ASME 31.3)	●	●	●		●	●	●			
DN	Special Drain Connection	●	●				●	●			
EC ⁸	Extra Chamber Connection	C/F	C/F	C/F			C/F	C/F			
ET ⁵	Temperature Extension	●	●	●	●	●	●	●	●	●	●
FE ⁵	Finned Extension	●	●	●	●	●	●	●			
GG	Sealed Conduit	●	●	●	●	●	●	●	●	●	
ID ⁹	Interface Detection	●	●		●		●	●			
KK	Housing Breather Drain	●	●	●	●	●	●	●	●	●	●
MC ⁴	Manual Check								●	●	
MR	Mill Test Report	●	●	●	●	●	●	●	●	●	●
MT ¹⁰	Mag Particle Examination	●	●	●		●	●	●			
NC	NACE Construction	●	●	●	●	●	●	●	●	●	●
NM	INMETRO Approved for S3 Hsg	●	●	●	●	●	●	●	●	●	
PP	Fiber Tag	●	●	●	●	●	●	●	●	●	●
PT	Dye Penetration Examination	●	●	●		●	●	●			
PY	Powder coat epoxy coating. No coating on stainless steel parts or plated screws. (500 hrs. salt spray)	●	●	●	●	●	●	●	●	●	●
RR	SS Tag wired to housing	●	●	●	●	●	●	●	●	●	●
RT	Radiograph Examination	●	●	●		●	●	●			
SC ¹¹	Special Calibration	C/F	C/F	C/F	C/F	C/F	C/F	C/F	C/F	C/F	C/F
SD ¹²	Special Dimensions	C/F	C/F	C/F			C/F	C/F			
SL ¹³	Special Cable Length								●	●	●
TC ⁴	Tru-Check								●	●	
TF	Tandem Floats	C/F	C/F		●						
TT	Oversized Nameplate for customer tagging	●	●	●	●	●	●	●	●	●	●
UT	Ultrasonic Examination	●	●	●		●	●	●			
VV	Fungicidal Varnish	●	●	●	●	●	●	●	●	●	●
WC	Water Column Unit	C/F									
WV ²	UL Listed	●	●	●	●	●	●	●	●	●	●
YY	Epoxy Coating (enclosure only)	●	●	●	●	●	●	●	●	●	●

Notes: C/F = Consult the Factory

- Pneumatic switching mechanisms only (P1)
- Consult switch and housing sections for agency availability.
- Process media must be known prior to manufacture. Different processes (service categories) require different quality inspection procedures. Consult the factory for details.
- Appropriate for Model Series 701 through 704 & 730 through 733. See page 28 for details. Not available with NACE.
- See high-temperature selection for application. Pages 26-27
- Not available with agency-listed housings.
- Not available with T6 and S3 (ATEX) housings.
- Need connection size, type, and location on chamber.
- The upper & lower specific gravity required to determine functionality.
- No MT option on Stainless Steel
- Operating specific gravity, Set Point (referenced from upper process connection) and if Set Point is rising or falling are required.
- Specific details of chamber dimensional changes.
- Length of cable required (10 ft. is standard).

Level Switches

Step 7: Accessories/Certificates

108 A-E1A-F-A1-N4-[CRTT](#)

Test Certificates

Model Series	Certificate Designator	Certificates						
		Calibration	Hydrostatic Pressure Test	Inspection Report	Compliance / Conformance	Dielectric Test	Insulation Resistance	QA Test Report
100	C1	◆						
	C2		◆					
	C3			◆				
	C4				◆			
	C5					◆		
	C6						◆	
	C7							◆
	200	B2	◆	◆	◆			◆
	300	B3	◆	◆	◆	◆		◆
	400	B5	◆		◆		◆	◆
	108/208	B6	◆		◆		◆	
		B7	◆		◆	◆		
		A2	◆	◆		◆		
		A3	◆	◆	◆			
		A4	◆	◆	◆	◆		
		A7	◆	◆	◆		◆	◆
		A8	◆	◆	◆	◆		◆
		A9	◆	◆	◆	◆		◆
	700	C1	◆					
	C3			◆				
730	C4				◆			
750	C5					◆		
*740, 804	C6						◆	
	C7						◆	
741-743	B5	◆		◆		◆	◆	
802	B6	◆		◆		◆	◆	
	B7	◆		◆	◆			

*These products also have Certificate C2 - Hydrostatic Pressure Test.

SOR level switches can accommodate high-temperature applications up to 1200°F (649°C). These temperatures may be safely reached by a proper combination of chamber material, switch mechanism and temperature extension. Refer to page 26 to select the proper components for your process temperature.

ET Accessory

The straight temperature extension provides physical distance between the process and the switching mechanism. It is constructed of a straight piece of pipe welded between the chamber and enclosing tube connection.

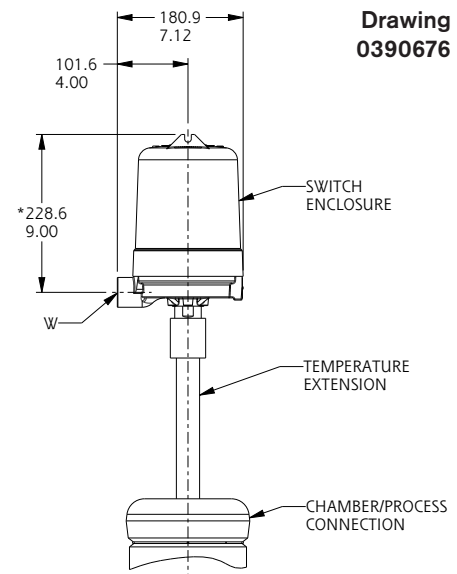
How It Works

The straight temperature extension is designed to remove the switch from direct radiant heat in dry heat processes. Consult the chart on page 26 for application.

To Specify

Add Accessory Designator ET to the end of the SOR level switch model number per the selection chart on page 26.

The ET accessory automatically matches the material and rating of the specified level switch chamber. This option can be supplied on SOR level switches 100, 200, 300 and 400 Series.



FE Accessories

The finned temperature extension is designed to protect the electrical portion of a level switch from heat damage due to condensing processes. When used in combination with high-temperature switch mechanisms, this option allows operation in process temperatures up to 1200°F (649°C).

How It Works

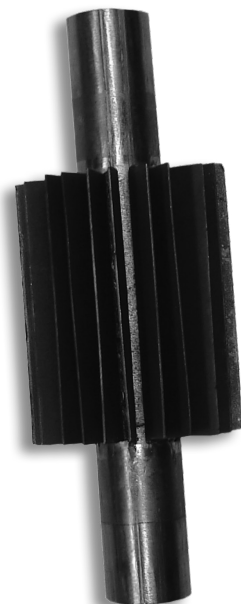
The finned temperature extension condenses process steam and reduces its heat before it can reach the switching mechanism. The design reduces steam to its saturation temperature in the enclosing tube, protecting the switching mechanism from deterioration due to high temperatures. The process pressure dictates the saturation temperature, see page 32.

To Specify

Add Accessory Designator FE to the end of the SOR level switch model number per the selection chart on page 26.

The finned temperature extension automatically matches the material and rating of the specified level switch chamber. These options can be supplied on SOR level switches 100, 200, 108/208, 300 and 400 Series.

Note: For proper cooling, temperature extensions must not be insulated or placed inside an enclosed structure. High ambient temperatures (over 100°F/38°C), intense direct sunlight, or heat loading from adjacent piping or vessels will affect cooling performance. Consult the factory if any of these conditions exist.



Fundamental differences in condensing (steam) and non-condensing (dry) heat require different methods of protection.

Steam Heat processes carry it's heat with the vapor. These processes effectively heat every portion of their enclosure. To reduce the heat effects of condensing processes, we must either condense or physically block the vapor. SOR uses a condensing system to avoid the sealing problems associated with blocking the steam.

Dry Heat processes transfer heat through direct conduction. Heat is only passed to the areas where they touch the enclosure. Therefore, radiant heat is the only concern with these processes. This may be resolved by adding distance between the process and the protected portion of the control.

Using the charts below, find your desired maximum temperature and select a corresponding chamber material. In the process type chart, select a switch mechanism based on whether you are using Steam Heat or Dry Heat. The symbol will indicate if a temperature reduction device is required.

High Temperature Selection Chart

Chamber Material (Select one)	Designator	Maximum Temperature																
		0-400°F (204°C)	≤ 450°F (232°C)	≤ 500°F (260°C)	≤ 550°F (288°C)	≤ 600°F (316°C)	≤ 650°F (343°C)	≤ 700°F (371°C)	≤ 750°F (399°C)	≤ 800°F (427°C)	≤ 850°F (454°C)	≤ 900°F (482°C)	≤ 950°F (510°C)	≤ 1000°F (538°C)	≤ 1050°F (566°C)	≤ 1100°F (593°C)	≤ 1150°F (621°C)	≤ 1200°F (649 °C)
A106B Carbon Steel	A																	
304/304LSS	Consult Factory																	
316/316LSS	C																	
A333 GR.6	Consult Factory																	
A335-P11 Chrome Moly	Consult Factory																	
A335-P91	Consult Factory																	
Hastelloy C	Consult Factory																	
Alloy-20	Consult Factory																	
Monel-400	Consult Factory																	

Heat Type

Steam Heat Applications - Switch Mechanism (Select one)

Hi-Temp Dry Contact or Mini-Hermet	B/V	■	●	●	❖	❖												
Hi-Temperature Ceramic/SS	Y	■	■	■	■	■	■	■	■	■	❖	❖	❖	❖	❖	❖	❖	❖

Dry Heat Applications - Switch Mechanism (Select one)

Hi-Temp Mini-Hermet or Dry Contact	B/V	■	●	●	●	●												
Hi-Temperature Ceramic/SS	Y	■	■	■	■	■	■	■	■	■	●	●	●	●				

For proper cooling, temperature extensions and finned extensions must not be insulated or placed inside an enclosed structure. High ambient temperatures (over 100°F/38°C), intense direct sunlight or heat loading from adjacent piping or vessels will affect cooling performance. Consult the factory if any of these conditions exist.

■ = Switch Only ❖ = Finned Extension ● = Temperature Extension

Float Switch Pressure Ratings (in psi) above 450°F (232°C). Higher temperatures available with other materials. Consult factory.

Model	Material	Pressure at Listed Temperature in psi					
		500°F (260°C)	550°F (288°C)	600°F (316°C)	650°F (343°C)	700°F (371°C)	750°F (399°C)
101	CS & SS	170	155	140	125	110	95
102	CS & SS	447	435	423	411	400	389
103	CS	600	575	550	535	535	505
	SS	480	465	450	445	430	425
104	CS & SS	894	870	846	823	800	778
108	CS	600	575	550	535	535	505
	SS	480	465	450	445	430	425
109	CS & SS	170	155	140	125	110	95
121	CS & SS	170	155	140	125	110	95
122	CS & SS	313	304	296	288	280	272
201	CS & SS	201	196	190	185	180	175
202	CS & SS	268	261	254	247	240	233
203	CS & SS	447	435	423	411	400	389
204	CS & SS	1118	1087	1057	1029	1000	972
205	CS & SS	671	652	634	617	600	584
206	CS & SS	894	870	846	823	800	778
207	CS & SS	894	870	846	823	800	778
208	CS	1794	1794	1794	1794	1722	1554
	SS	1495	1453	1411	1387	1351	1339
209	CS & SS	403	391	381	370	360	350
221	CS & SS	313	304	296	288	280	272

CS = Carbon Steel
SS = Stainless Steel

Manual Check (MC) and Tru-Check (TC) options permit manual actuation of vertical displacer level switches, addressing EPA and OSHA safety requirements. The standard 30-foot stainless steel chain allows manual actuation from the tank base, eliminating potentially hazardous trips to the top of the tank. Specify either an MC or TC option by placing the designator in the accessory section of the model number.

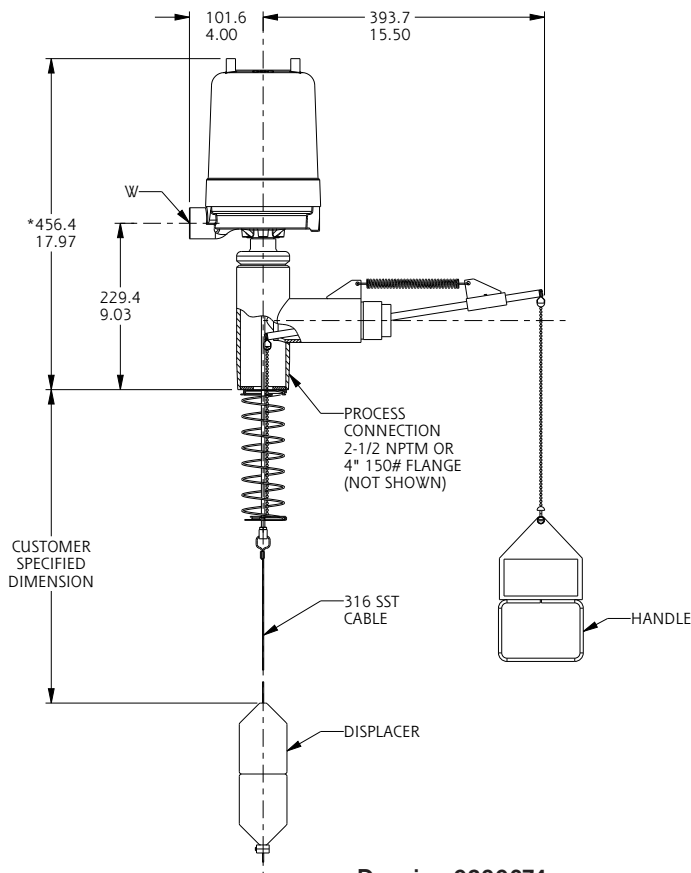
Designator	Application
TC	Tanks or vessels pressurized to 100 psi
MC	Atmospheric vented tanks or vessels

These options are available on SOR level switch Series 701 through 704 and 730 through 733. MC and TC option available on carbon steel units only. Series 730 through 733 are more sensitive to both high and low SG values. Please consult factory before ordering the MC or TC options for these models.

How It Works

Pulling the handle transfers downward motion to the actuator lever by means of the beaded stainless steel chain. The resultant motion lifts the entire level sensing assembly which moves the attraction sleeve and actuates the switching element to simulate a high-level condition. Switching action for alarm, shutdown or control is verified.

Dimensions



Product Specifications

Pressure Range

TC (Tru-Check)	*0 to 100 psi
MC (Manual Check)	0 psi (vented to atmosphere)

*Maximum pressure for entire level sensing assembly is 100 psi with Tru-Check installed.

Temperature Range -40 to 300°F (-40 to 150°C)

Wetted Parts

Ball	Chrome Plated Brass
Seal	Teflon
Spring	Spring Steel
Body	1018 Steel

Design and specifications are subject to change without notice. For latest revision, see www.sorinc.com.

Specify either a CY or CZ option in the accessory section of the model number for a certificate of conformance.

Designator	Certificate of Conformance to
CY	ASME B31.1 Power Piping
CZ	ASME B31.3 Process Piping

If certification to B31.3 is required, SOR Inc. must know the fluid category per the chart below. Read the ASME B31.3 Fluid Category Section at the bottom of this page to determine the applicable category.

Units Covered	Visual Examination ¹	Radiographic (X-Ray) RT	Magnetic Particle MT	Dye Penetrant PT	Hydrotest
Standard Inspection					
All Chambers	100%	0%	0%	0%	1.5 x pressure for 3 minutes
CY Option (ASME B31.1)					
Below 750°F Below 1025 psi	100%	-	-	-	1.5 x pressure for 10 minutes
Below 350°F All pressures	100%	-	-	-	
350°F - 750°F Above 1025 psi	100%	All butt welds $\geq 2"$	-	-	
Above 750°F All pressures	100%	All butt welds $\geq 2"$	Butt welds $\geq 2"$ all other welds	Butt welds $\geq 2"$ all other welds	
CZ Option (ASME B31.3)					
Normal Fluid	5%	5% ²	-	-	1.5 x pressure for 10 minutes
Category D	Engineering/QA Choice	-	-	-	
Category M	100%	20% of all welds ³	-	-	
High Pressure	100%	100% of girth/branch welds	-	-	

Notes

1. In process visual inspection: inspecting pipe bevel prior to welding, check fit-up, check after-tack weld, and check during weld passes. After completion visual inspection: welding and grinding is checked.
2. In process examination may be substituted on a weld-for-weld basis.
3. In process examination supplemented by appropriate NDE (MT or PT) may be substituted on a weld-for-weld basis.

ASME B31.3 Fluid Category

Normal	A fluid service not subject to the following four categories.
Category D	A fluid service in which all of the following apply: <ol style="list-style-type: none"> 1. The fluid handled is non-flammable, non-toxic, and not damaging to human skin. 2. The design gage pressure does not exceed 150 psi. 3. The design temperature is between -20°F and 366°F.
Category M	A fluid service in which the potential for personnel exposure is judged to be significant and in which a single exposure to a very small quantity of a toxic fluid, caused by leakage, can produce serious irreversible harm to persons on breathing or bodily contact, even when prompt restorative measures are taken.
High Pressure	Pressure in excess of that allowed by the ASME B16.5 Class 2500 rating for the specified temperature and material group or any piping so designated by the customer.

SOR uses all ASTM grade materials in the construction of mechanical level switches. The following chart lists the specific ASTM (or UNS) materials that are normally used for each component in our switches. Consult the factory if you do not see the specific material required for your application.

Material	ASTM Spec-Grade	ASME B16.9	ASME 16.11	ASME B16.5	Temperature Range
	Seamless Pipe	Wrought Butt Weld Fitting	Forged Fittings SW/Threaded	Pipe Flanges	
Carbon Steel	A106B	A234-WPB	A105	A105	-20°F to 800°F
304/304LSS ²	A312-TP304	A403-WP304	A182-F304	A182-F304	-425°F to 1000°F
316/316LSS	A312-TP316	A403-WP316	A182-F316	A182-F316	-325°F to 1000°F
Low Temperature Carbon Steel ²	A333 Gr. 6	A420-WPL6	A350-LF2	A350-LF2	-50°F to 700°F
1-1/4% Chrome 1/2% Moly ²	A335-P11	A234-WP11	A182-F11	A182-F11	-20°F to 1100°F
Hastelloy-C276 ² N10276	B622 ¹	B366/B564	B366/B564	B366/B564	-325°F to 800°F
Alloy-20 ² N08020	B464 ¹	B366/B962	B366/B462	B366/B462	-325°F to 800°F
Monel 400 ² N04400	B-165 ¹	B366	B564	B564 Gr N0 4400	-325°F to 900°F
Duplex SS ²	A-790	A-815	A182-F51	A182-F51	-60°F to 600°F
2-1/4% Chrome 1% Moly ²	A335-P22	A335-WP22	A182-F22	A182-F22	-20°F to 1100°F
9% Chrome 1% Moly Vanadium ²	A335-P91	A234-WP91	A182-F91	A182-F91	-20°F to 1200°F

Notes

1. UNS numbers are given for special alloys.
2. These materials are available by special order only.

Flange Face Finishes

The most common flange face finishes are shown in the table below.

Raised Face Flanges (RF)

All raised-face flange finishes are given as a range. AARH (Average Arithmetic Root Height) values are given with their metric equivalent.

AARH (µin.)	1000-2000	500-1000	250-500	125-250	63-125	32-63	16-32
Ra (µm)	25-50	12.5-25	6.3-12.5	3.2-6.3	1.6-3.2	0.8-1.6	0.4-0.8

Ring Tight Joint Flanges (RTJ)

The side surfaces of RTJ gasket surfaces shall not exceed 63µ" (1.6µm) roughness per ANSI B16.5.

The approximate shipping weights shown below are for standard models. Weights will vary based on pipe size, length and flange size. Consult the factory for the weight of a specific unit.

Floats				Displacers			
Model	pounds	kilograms	Page	Model	pounds	kilograms	Page
101*	55	25	33	701	18	8.5	44
102*	80	37	33	702	18	8.5	44
103*	130	60	33	703	30	13.5	44
108	130	59	37	704	30	13.5	44
109*	125	53	33	705	20	9	44
121*	40	18	33	706	30	9	44
122*	50	23	33	707	32	14.5	44
123*	80	36	33	708	32	14.5	44
124*	90	42	33	730	20	9	45
201*	45	20.5	35	731	20	9	45
202*	26	12	35	732	32	14.5	45
203*	26	12	35	733	32	14.5	45
204*	26	12	35	734	22	10	45
205*	45	20.5	35	735	22	10	45
206*	45	20.5	35	736	34	15.5	45
207*	45	20.5	35	737	34	15.5	45
208	89	22	37	740*	28	12.5	42
209*	62	29	35	741*	48	22	40
221*	22	10	35	742*	60	27	40
301	12	5.5	38	743*	68	31	40
303	12	5.5	38	750	24	11	46
304	12	5.5	38	751	24	11	46
401	15	7	39	752	36	16	46
402	12	5.5	39	753	36	16	46
403	28	12.5	39	754	26	12	46
404	15	7	39	755	26	12	46
405	12	19	39	756	38	17	46
406	70	32	39	757	38	17	46
				802	185	82	40
				804	50	22.5	42

* Add weights from the table below to the base model weight for VV, VVT, or VH configurations with flanges.

VV, VVT and VH Additional Weights

Size	150#		300#		600#	
	pounds	kilograms	pounds	kilograms	pounds	kilograms
1"	5	2.5	8	4	9	4.5
1-1/2"	8	4	15	7	15	7
2"	12	5.5	16	7.5	18	8.5

Weights shown in this table include two flanges, pipe nipples, and fittings.

Note: Consult the factory for additional weight due to accessories or non-standard requirements.

The specific gravity of water changes depending on its temperature and pressure. The chart below lists properties of saturated steam. Saturated steam is the state where water is in transition between liquid and vapor. The chart provides the process temperature with the associated pressure and specific gravity of the condensate water. If a water application has a high temperature and low pressure, condensate will only be present at the temperature that corresponds to the maximum pressure. Select the proper row based on the temperature and pressure, and read the specific gravity.

Figures are based on saturated steam.

Boiling Temperature F°	Vacuum Inches Hg	Specific Gravity
32	29.74	.9999
40	29.67	1.0000
50	29.56	.9997
60	29.40	.9990
70	29.18	.9980
80	28.89	.9966
90	28.50	.9950
100	27.99	.9931
110	27.33	.9909
120	26.48	.9886
130	25.40	.9860
140	24.04	.9832
150	22.35	.9803
160	20.27	.9772
170	17.72	.9730
180	14.63	.9704
190	10.91	.9668
200	6.46	.9631
210	1.17	.9592

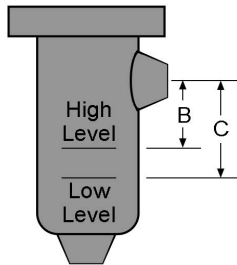
Boiling Temperature F°	Pressure psi	Specific Gravity
212	0.0	.96
220	2.49	.96
230	6.08	.95
240	10.27	.95
250	15.13	.94
260	20.14	.94
270	27.17	.93
280	34.52	.93
290	42.87	.92
300	52.30	.92
310	63.00	.91
320	75.00	.91
330	89.3	.91
340	103.3	.90
350	119.9	.89
360	138.3	.88
370	158.5	.88
380	180.9	.87
390	205.4	.86
400	232.3	.86
410	261.6	.85
420	293.4	.84
430	328.4	.84
440	366.2	.83

Boiling Temperature F°	Pressure psi	Specific Gravity
450	407.0	.82
460	451.2	.81
470	498.8	.80
480	550.1	.80
490	605.2	.79
500	664.3	.78
510	728.3	.77
520	795.3	.76
530	868.3	.76
540	945.3	.74
550	1028.3	.73
560	1116.3	.71
570	1209.3	.70
580	1308.3	.69
590	1414.3	.68
600	1529.3	.67
610	1644.3	.66
620	1769.3	.65
630	1902.3	.63
640	2042.3	.62
650	2190.3	.60
660	2346.3	.58
670	2511.3	.56
680	2690	.49
690	2883	.48
700	3075	.44
705	3189	.32

Level Switches

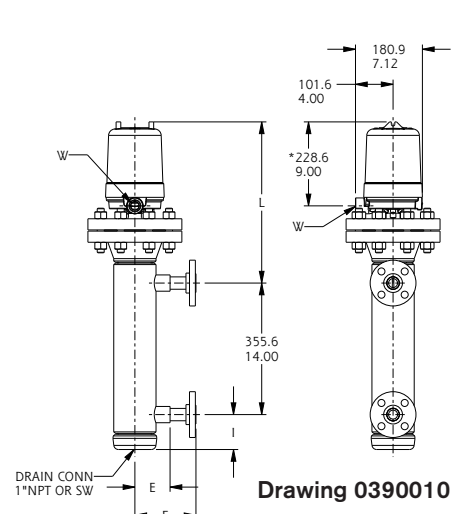
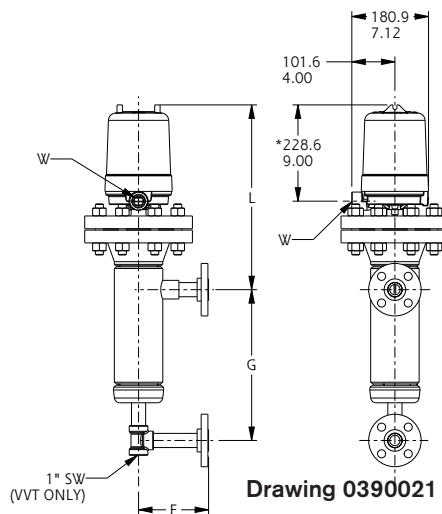
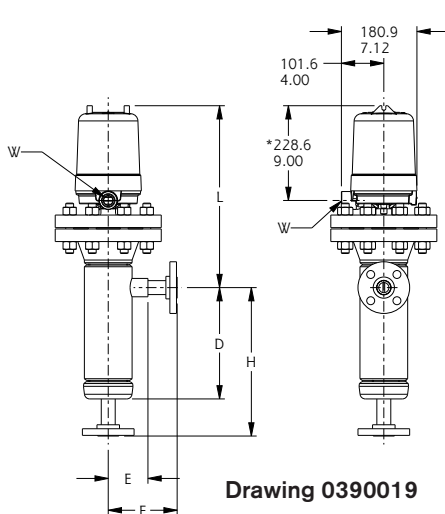
100 SERIES CALIBRATION DIMENSIONS

The chart here provides typical standard Set Points. As the specific gravity used on a level switch changes, the Set Points will also change. These values are based on the specific gravity listed and units with "B" trim and an A1 switch. For other materials or switches, please consult factory. If a specific Set Point is needed, please use the "SC" option found in the accessories section of this catalog.



Model	Specific Gravity	B inch (mm)	C inch (mm)
101	.52	3-1/4 (83)	4-7/16 (113)
	1.0	5-1/4 (133)	5-15/16 (151)
102	.62	2-3/4 (70)	3-13/16 (97)
	1.0	4-7/16 (113)	5-1/8 (130)
103	.51	3-1/4 (83)	3-7/8 (98)
	1.0	4-13/16 (122)	5-3/16 (132)
104	.62	3-3/8 (86)	3-15/16 (100)
	1.0	4-5/8 (117)	5 (127)
109	.38	4-3/4 (121)	5-15/16 (151)
	1.0	7-1/4 (184)	7-9/16 (192)
121	.66	2-11/16 (68)	4-1/8 (105)
	1.0	3-13/16 (97)	4-13/16 (122)
122	.66	2-1/2 (64)	3-15/16 (100)
	1.0	3-5/8 (92)	4-5/8 (117)
123	.93	2-7/8 (73)	3-13/16 (97)
	1.0	3-3/16 (81)	4-1/16 (103)
124	.94	2-7/8 (73)	3-13/16 (97)
	1.0	3-1/8 (79)	4 (102)

Chamber Dimensions listed are for reference only and are expressed as millimeters over inches. (Linear = mm/in.) They are subject to change without notice. Contact SOR for certified drawings of particular models or if special dimensions are required. "W" designates electrical connection, see page 22 for more housing information.



1" Connection

Model	D ^{1,2}	E ^{1,2}	F ⁴	G	H ⁴	I ²	L ²
	inch (mm)	inch (mm)	inch (mm)	inch (mm)	inch (mm)	inch (mm)	inch (mm)
101	10-1/2 (267)	3-3/4 (95)	6-1/2 (165)	14 (356)	14 (356)	3-3/4 (95)	16-5/8 (422)
102							17-5/16 (440)
103	10-1/4 (260)	4-13/16 (122)	7-7/16 (189)	14 (356)	14 (356)	4-9/16 (116)	18 (457)
104							19-3/4 (502)
109	12-5/8 (321)	5-13/16 (148)	8-7/16 (214)	16 (406)	16 (406)	7-1/2 (191)	17-13/16 (452)
121	9 (229)	3-1/4 (83)	6 (152)	14 (356)	14 (356)	3-3/4 (95)	16-3/8 (416)
122							16-15/16 (430)
123	10-1/2 (267)	3-3/4 (95)	6-1/2 (165)	14 (356)	14 (356)	3-3/4 (95)	17-5/16 (440)
124							18-3/4 (476)

1-1/2" Connection

Model	D ^{1,2}	E ^{1,2}	F ⁴	G	H ⁴	I ²	L ²
	inch (mm)	inch (mm)	inch (mm)	inch (mm)	inch (mm)	inch (mm)	inch (mm)
101	10-1/2 (267)	4 (102)	6-1/2 (165)	14 (356)	14 (356)	3-3/4 (95)	16-5/8 (422)
102							17-5/16 (440)
103	10-1/4 (260)	5-1/16 (129)	7-7/16 (189)	14 (356)	14 (356)	4-9/16 (116)	18 (457)
104							19-3/4 (502)
109	13-1/16 (332)	6-1/16 (154)	8-7/16 (214)	16 (406)	16 (406)	7-1/2 (191)	17-13/16 (452)
121	9 (229)	3-1/2 (89)	6 (152)	14 (356)	14 (356)	3-3/4 (95)	16-3/8 (416)
122							16-15/16 (430)
123	10-1/2 (267)	4 (102)	6-1/2 (165)	14 (356)	14 (356)	3-3/4 (95)	17-5/16 (440)
124							18-3/4 (476)

2" Connection

Model	D ^{1,2}	E ^{1,2}	F ⁴	G	H ⁴	I ^{2,3}	L ^{2,3}
	inch (mm)	inch (mm)	inch (mm)	inch (mm)	inch (mm)	inch (mm)	inch (mm)
101	10-1/2 (267)	4-5/16 (110)	6-1/2 (165)	14 (356)	14 (356)	4-3/4 (121)	17-5/8 (448)
102							18-5/16 (467)
103	10-1/4 (260)	5-3/8 (137)	7-7/16 (189)	14 (356)	14 (356)	4-9/16 (116)	19 (483)
104							20-3/4 (527)
109	13-3/8 (340)	6-3/8 (162)	8-7/16 (214)	16 (406)	16 (406)	8-1/2 (216)	18-13/16 (478)
121	-	-	6 (152)	14 (356)	14 (356)	3-3/4 (95) ⁵	16-3/8 (416) ⁵
122							16-15/16 (430) ⁵
123	10-1/2 (267)	4-5/16 (110)	6-1/2 (165)	14 (356)	14 (356)	4-3/4 (121)	18-5/16 (465)
124							19-3/4 (502)

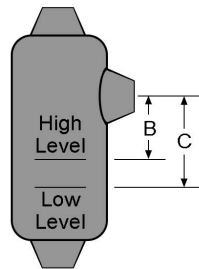
Notes

- Dimensions D and E apply to socket-weld connections only. Consult factory for NPT dimensions.
- Consult factory for dimensions for materials other than carbon steel.
- Applies to socket weld or NPT process connections only.
- Consult the factory if weld neck process flanges are required. Dimensions may vary from those shown above.
- Applies to flanged process connections only.

Level Switches

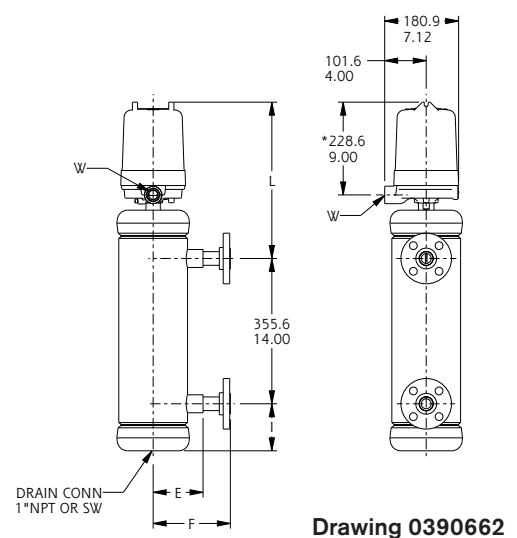
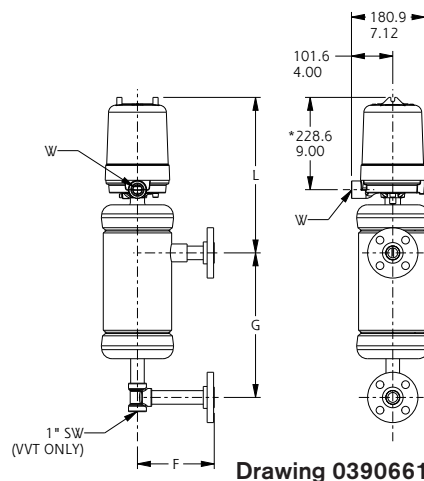
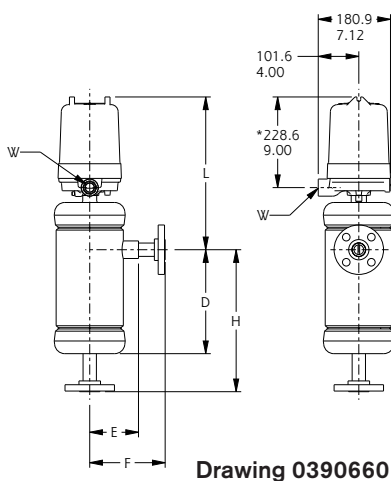
200 SERIES CALIBRATION DIMENSIONS

The chart here provides typical standard Set Points. As the specific gravity used on a level switch changes, the Set Points will also change. These values are based on the specific gravity listed and units with "B" trim and an A1 switch. For other materials or switches, please consult factory. If a specific Set Point is needed, please use the "SC" option found in the accessories section of this catalog.



Model	Specific Gravity	B inch (mm)	C inch (mm)
201	.38	3-3/16 (81)	4 (102)
	1.0	5-3/16 (132)	5-9/16 (141)
202	.52	3-1/4 (83)	4-7/16 (113)
	1.0	5-1/4 (133)	5-15/16 (151)
203	.61	3 (76)	4-1/16 (103)
	1.0	4-3/4 (121)	5-7/16 (138)
204	.91	3 (76)	3-15/16 (100)
	1.0	3-3/8 (86)	4-1/4 (108)
205	.50	3 (76)	3-11/16 (94)
	1.0	4-11/16 (119)	5 (127)
206	.65	3-1/2 (89)	4-1/4 (108)
	1.0	4-5/8 (117)	5-1/16 (129)
207	.61	3 (76)	3-9/16 (90)
	1.0	4-5/16 (110)	4-5/8 (117)
209	.38	4-3/4 (121)	5-1/4 (133)
	1.0	7-1/4 (184)	7-1/2 (191)
221	.64	2-9/16 (65)	4-1/16 (103)
	1.0	3-13/16 (97)	4-13/16 (122)

Dimensions listed are for reference only and are expressed as millimeters over inches. (Linear = mm/in.) They are subject to change without notice. Contact SOR for certified drawings of particular models or if special dimensions are required. "W" designates electrical connection, see page 22 for more housing information.



1" Connections

Model	D ^{1,2}	E ^{1,2}	F ⁴	G	H ⁴	I ^{1,2}	L ²
	inch (mm)	inch (mm)	inch (mm)	inch (mm)	inch (mm)	inch (mm)	inch (mm)
201	10-1/4 (260)	4-13/16 (122)	7-7/16 (189)	14 (356)	14 (356)	4-9/16 (116)	15-3/16 (386)
202	10-1/2 (267)	3-3/4 (95)	6-1/2 (165)	14 (356)	14 (356)	3-3/4 (95)	14-3/8 (365)
203							
204							
205	10-1/4 (260)	4-13/16 (122)	7-7/16 (189)	14 (356)	14 (356)	4-9/16 (116)	15-3/16 (386)
206							
207							
209	12-5/8 (321)	5-13/16 (148)	8-7/16 (214)	16 (406)	16 (406)	7-1/2 (191)	18-1/16 (459)
221	9 (229)	3-1/4 (83)	6 (152)	14 (356)	14 (356)	3-3/4 (95)	14-3/8 (365)

1-1/2" Connections

Model	D ²	E ²	F ⁴	G	H ⁴	I ²	L ²
	inch (mm)	inch (mm)	inch (mm)	inch (mm)	inch (mm)	inch (mm)	inch (mm)
201	10-1/4 (260)	4-13/16 (122)	7-7/16 (189)	14 (356)	14 (356)	4-9/16 (116)	15-3/16 (386)
202	10-1/2 (267)	4 (102)	6-1/2 (165)	14 (356)	14 (356)	3-3/4 (95)	14-3/8 (365)
203							
204							
205	10-1/4 (260)	5-1/16 (129)	7-7/16 (189)	14 (356)	14 (356)	4-9/16 (116)	15-3/16 (386)
206							
207							
209	13-1/16 (332)	6-1/16 (154)	8-7/16 (214)	16 (406)	16 (406)	7-1/2 (191)	18-1/16 (459)
221	9 (229)	3-1/2 (89)	6 (152)	14 (356)	14 (356)	3-3/4 (95)	14-3/8 (365)

2" Connections

Model	D ²	E ²	F ⁴	G	H ⁴	I ^{2,3}	L ^{2,3}
	inch (mm)	inch	inch	inch	inch	inch	inch
201	10-1/4 (260)	5-3/8 (137)	7-7/16 (189)	14 (356)	14 (356)	5-9/16 (141)	16-3/16 (411)
202	10-1/2 (267)	4-5/16 (110)	6-1/2 (165)	14 (356)	14 (356)	4-3/4 (121)	15-3/8 (391)
203							
204							
205	10-1/4 (260)	5-3/8 (137)	7-7/16 (189)	14 (356)	14 (356)	5-9/16 (141)	16-3/16 (411)
206							
207							
209	13-3/8 (340)	6-3/16 (162)	8-7/16 (214)	16 (406)	16 (406)	7-1/2 (191)	19-1/16 (484)
221	-	-	6 (152)	14 (356)	14 (356)	3-3/4 (95) ⁵	14-3/8 (365)

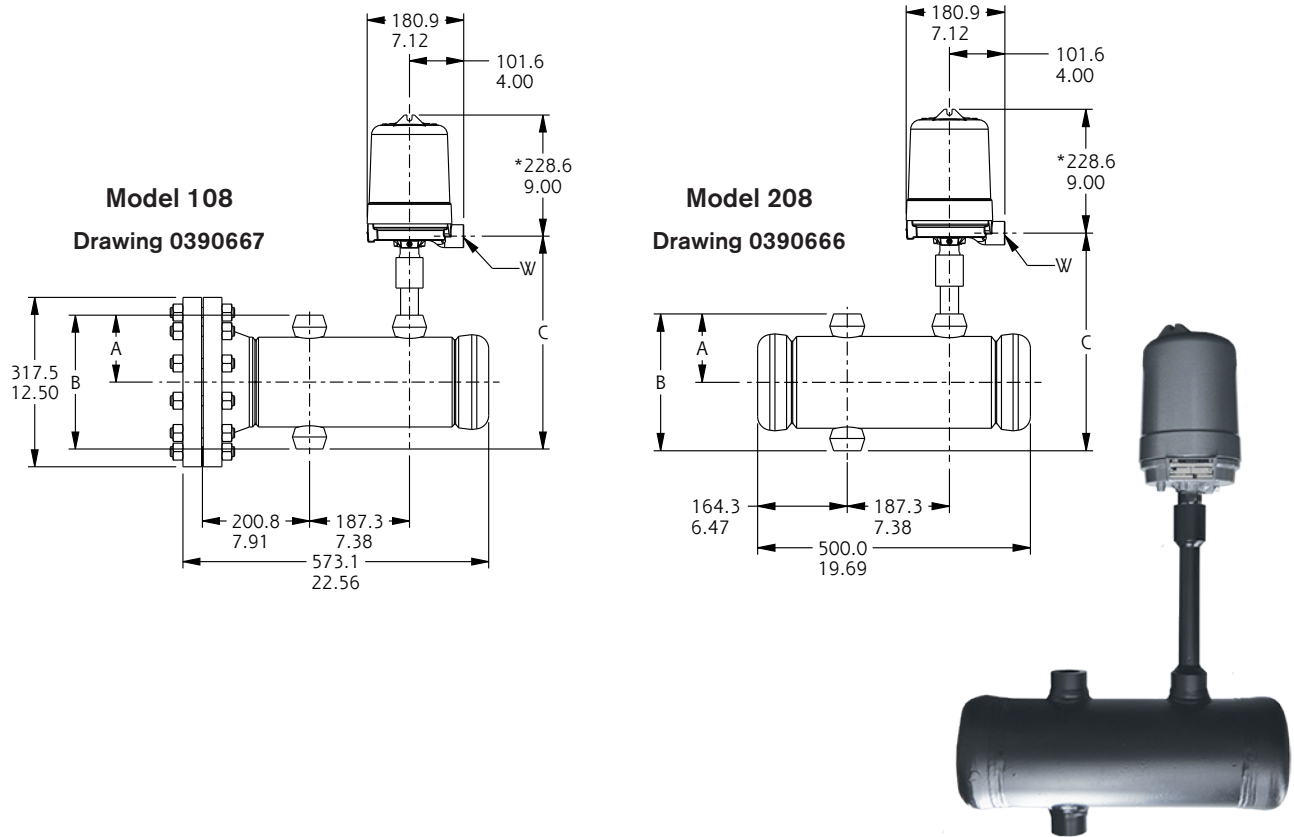
Notes

1. Dimensions D and E apply to socket-weld connections only. Consult factory for NPT dimensions.
2. Consult factory for dimensions for materials other than carbon steel.
3. Applies to socket weld or NPT process connections only.
4. Consult the factory if weld neck process flanges are required. Dimensions may vary from those shown above.
5. Applies to flanged process connections only.

Level Switches

108/208 CHAMBER DIMENSIONS

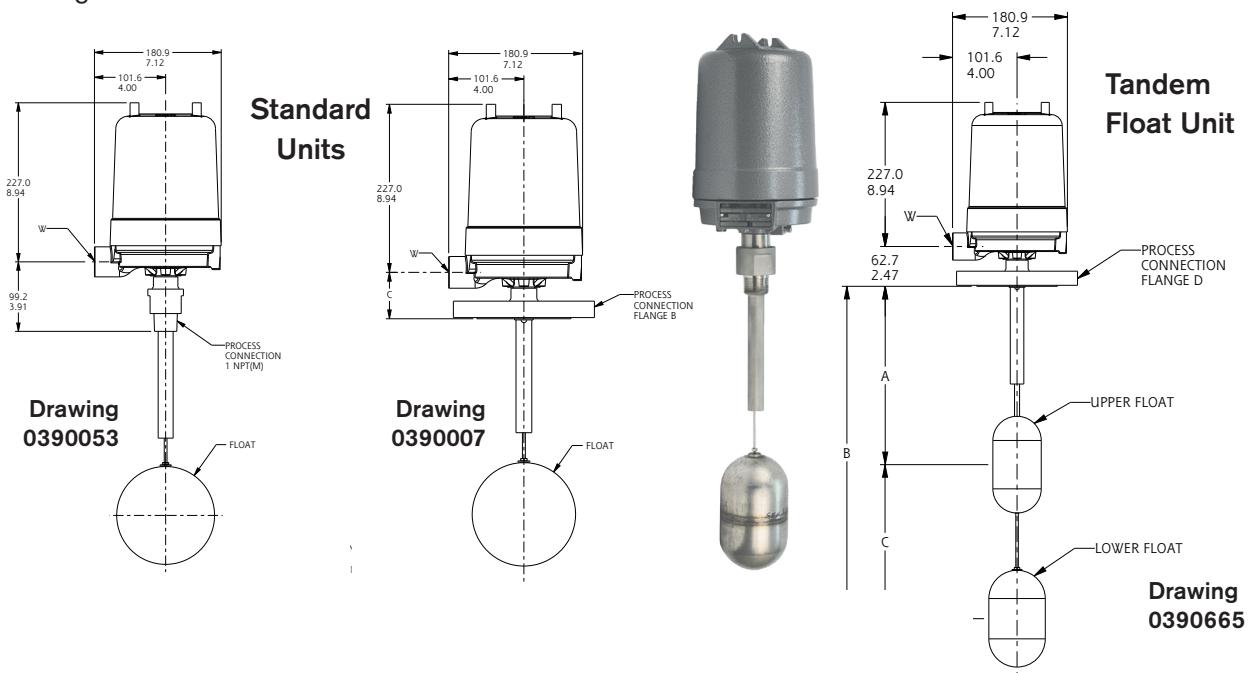
Dimensions listed are for reference only and are expressed as millimeters over inches. (Linear = mm/in.) They are subject to change without notice. Contact SOR for certified drawings of particular models or if special dimensions are required. "W" designates electrical connection, see page 22 for more housing information.



Model	Connection Size	A	B	C
		inch (mm)	inch (mm)	inch (mm)
108	1"	4-13/16 (122)*	9-5/8 (244)*	15-1/2 (394)
	1-1/2"	5-1/16 (129)*	10-1/8 (258)*	15-3/4 (401)*
	2"	5-3/8 (137)*	10-3/4 (274)*	16-1/8 (409)*
208	1"	4-15/16 (125)	9-7/8 (250)	15-5/8 (396)
	1-1/2"	5-1/16 (129)*	10-1/8 (258)*	15-3/4 (401)*
	2"	5-3/8 (137)*	10-3/4 (274)*	16-1/8 (409)*

*Dimensions valid for socket weld process connections. Consult factory for threaded connection dimensions.

Dimensions in this catalog are for reference only. They may be changed without notice. Contact the factory for certified drawings for a particular model number. Dimensions are expressed as millimeters over inches. (Linear = mm/in.) "W" designates electrical connection, see page 22 for more housing information.



Standard Units			
Series	Float Size	Minimum Insertion	Maximum Insertion
		inch (mm)	inch (mm)
303	3-1/2 x 6"	4-1/2 (114)	48 (1219)
301	5-1/2"	4-1/4 (108)	
304			

** See Housing section (page 22).

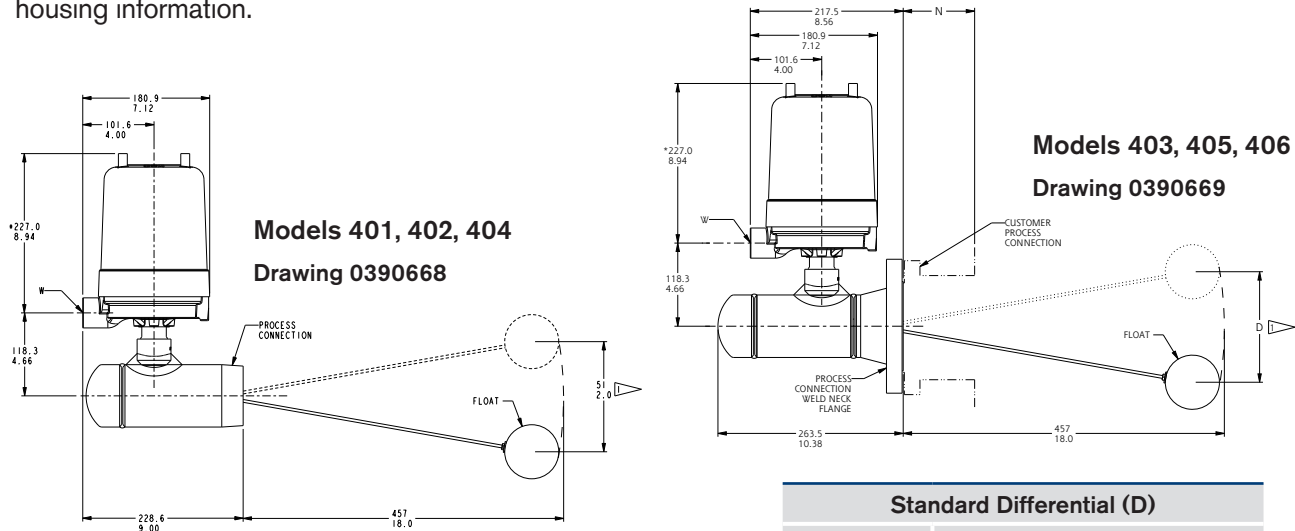
*** M20 adapters are brass. Contact the factory for alternate materials.

Tandem Float Units in inches (mm)							
Series	Float Size	High Insertion		Low Insertion		Differential	
		Minimum	Maximum	Minimum	Maximum	Minimum	Maximum
303	3-1/2 x 6"	4-1/2 (114)	40 (1016)	12 (305)	48 (1219)	8 (203)	43-1/2 (1105)
301	5-1/2"	4-1/4 (108)	41 (1041)	11 (279)	48 (1219)	7 (178)	43-3/4 (1111)
304							

Notes

- Standard Units:** It is important to consider the installation configuration when selecting the process connection. Be sure that the float will fit through the process connection, or that the vessel has access to attach the float from inside the vessel after instrument installation. Minimum 5-3/4" (146 mm) overhead clearance required to remove housing cover.
- Tandem Float Units:** It is important to consider the installation configuration when selecting the process connection. Be sure that the float will fit through the process connection. Tandem floats are not removable and must be installed through the nozzle opening. Operating specific gravity and insertion depths must be specified. Minimum 5-3/4" (146 mm) overhead clearance required to remove housing cover.

Dimensions in this catalog are for reference only. They may be changed without notice. Contact the factory for certified drawings for a particular model number. Dimensions are expressed as millimeters over inches. (Linear = mm/in.) "W" designates electrical connection, see page 22 for more housing information.



Standard Differential (D)	
Model	D @ Minimum Specific Gravity
	inch (mm)
401	3 (76)
402	
403	
404	
405	2-3/4 (70)
406	

Note: With anti-vibration, extra-high temperature and pneumatic switch, minimum differential will increase.

Maximum Differential (D) Differential Dimension "D" is calibrated to the minimum shown above as standard. Wider differentials are available by placing an SC in the accessory section of the model number. The charts below give the maximum differentials available.

Model	NPT Units - Customer Mounting	
	1/2 Coupling	Full Coupling
	inch (mm)	inch (mm)
401	12-3/8 (356)	10-1/4 (292)
402	8-7/8 (292)	8-7/8 (292)
404	12-3/8 (356)	10-1/4 (292)



Model	Flanged Units - Customer Nozzle Length (N)				
	2 (51)	4 (102)	6 (152)	8 (203)	10 (254)
403	13 (330)	9 (229)	7 (178)	5 (127)	4-1/2 (114)
405*	6 (152)		5 (127)		
406*	6 (152)		5 (127)		

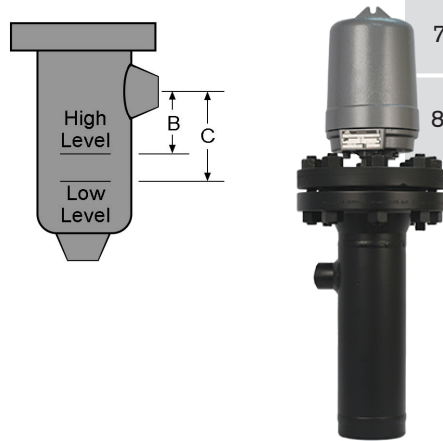
*Based on 4-inch flange size.

Level Switches

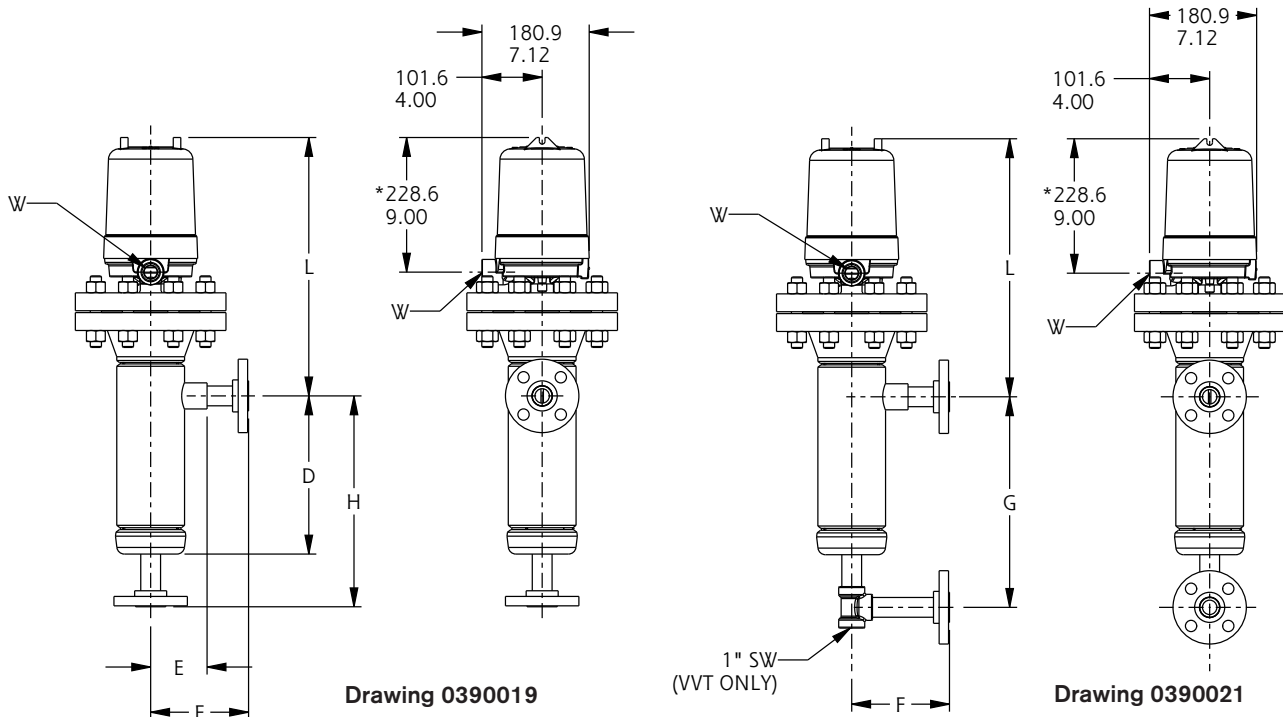
741-743 & 802 CHAMBER DIMENSIONS

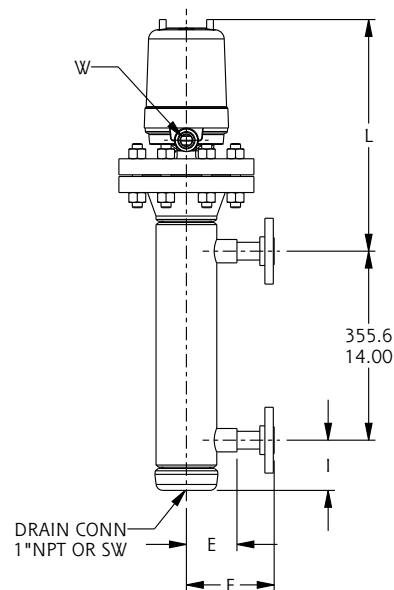
The chart here provides typical standard Set Points. As the specific gravity used on a level switch changes, the Set Points will also change. These values are based on the specific gravity listed and units with "B" trim and an A1 switch. For other materials or switches, please consult factory. If a specific Set Point is needed, please use the "SC" option found in the accessories section of this catalog.

Model	Specific Gravity	B inch (mm)	C inch (mm)
741	.43	1-13/16 (46)	4-5/8 (117)
	1.0	4-9/16 (116)	6-1/16 (154)
742	.43	1-13/16 (46)	4-5/8 (117)
	1.0	4-9/16 (116)	6-1/16 (154)
743	.43	1-13/16 (46)	4-5/8 (117)
	1.0	4-9/16 (116)	6-1/16 (154)
802	.41	2-3/8 (60)	5-5/16 (135)
	1.0	5-1/16 (129)	6-7/16 (164)

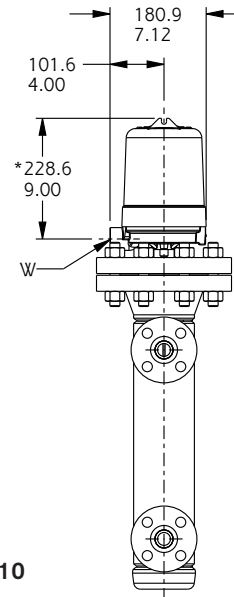


Dimensions in this catalog are for reference only. They may be changed without notice. Contact the factory for certified drawings for a particular model number. Dimensions are expressed as millimeters over inches. (Linear = mm/in.) "W" designates electrical connection, see page 22 for more housing information.





Drawing 0390010



1" Connections

Model	D ^{1,2}	E ^{1,2}	F ⁴	G	H ⁴	I ²	L ²
	inch (mm)	inch (mm)	inch (mm)	inch (mm)	inch (mm)	inch (mm)	inch (mm)
741	13 (330)	3-1/4 (83)	6 (152)	16 (406)	16 (406)	3-3/4 (95)	19-5/16 (491)
742							19-1/2 (495)
743							19-7/8 (505)
802	12-3/4 (324)	3-7/8 (98)	8 (203)	16 (406)	16 (406)	6-3/4 (171)	20-3/4 (527)

1-1/2" Connections

Model	D ²	E ²	F ⁴	G	H ⁴	I ²	L ²
	inch (mm)	inch (mm)	inch (mm)	inch (mm)	inch (mm)	inch (mm)	inch (mm)
741	13 (330)	3-1/2 (89)	6 (152)	16 (406)	16 (406)	3-3/4 (95)	19-5/16 (491)
742							19-1/2 (495)
743							19-7/8 (505)
802	12-7/8 (327)	4 (102)	8 (203)	16 (406)	16 (406)	6-3/4 (171)	20-3/4 (527)

2" Connections

Model	D ²	E ²	F ⁴	G	H ⁴	I ^{2,3}	L ^{2,3}
	inch (mm)	inch (mm)	inch (mm)	inch (mm)	inch (mm)	inch (mm)	inch (mm)
741	-	-	6 (152)	16 (406)	16 (406)	3-3/4 (95) ⁵	19-5/16 (491) ⁵
742							19-1/2 (495) ⁵
743							19-7/8 (505) ⁵
802	13-3/16 (335)	4-5/16 (110)	8 (203)	16 (406)	16 (406)	7-3/4 (197)	21-5/16 (541)

Notes

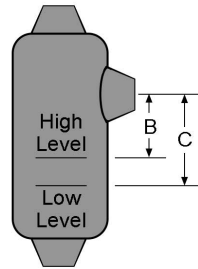
- Dimensions D and E apply to socket-weld connections only. Consult factory for NPT dimensions.
- Consult factory for dimensions for materials other than carbon steel.
- Applies to socket weld or NPT process connections only.
- Consult the factory if weld neck process flanges are required. Dimensions may vary from those shown above.
- Applies to flanged process connections only.

Level Switches

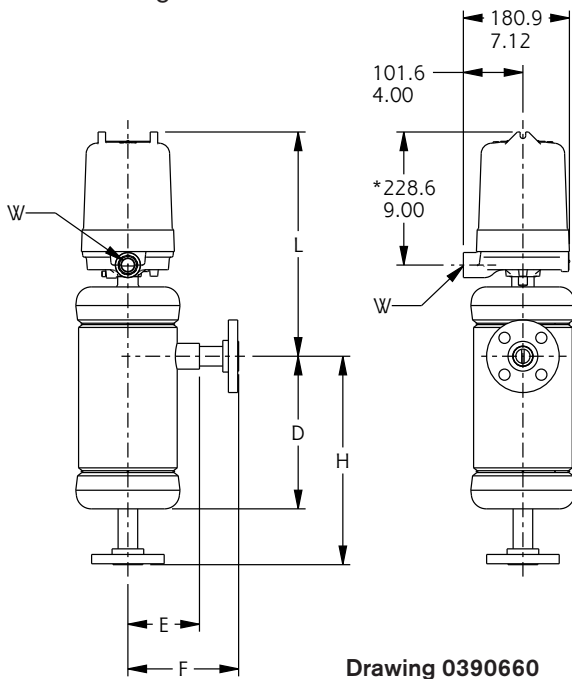
740 & 804 CALIBRATION DIMENSIONS

The chart here provides typical standard Set Points. As the specific gravity used on a level switch changes, the Set Points will also change. These values are based on the specific gravity listed and units with "B" trim and an A1 switch. For other materials or switches, please consult factory. If a specific Set Point is needed, please use the "SC" option found in the accessories section of this catalog.

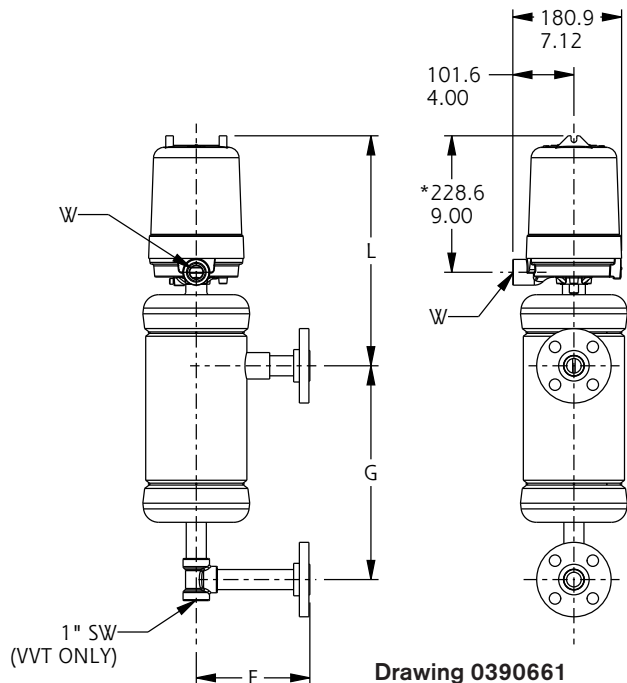
Model	Specific Gravity	B inch (mm)	C inch (mm)
740	.43	1-13/16 (46)	4-5/8 (143)
	1.0	4-9/16 (116)	6-1/16 (154)
804	.41	2-3/8 (60)	5-5/16 (135)
	1.0	5-1/16 (129)	6-7/16 (164)



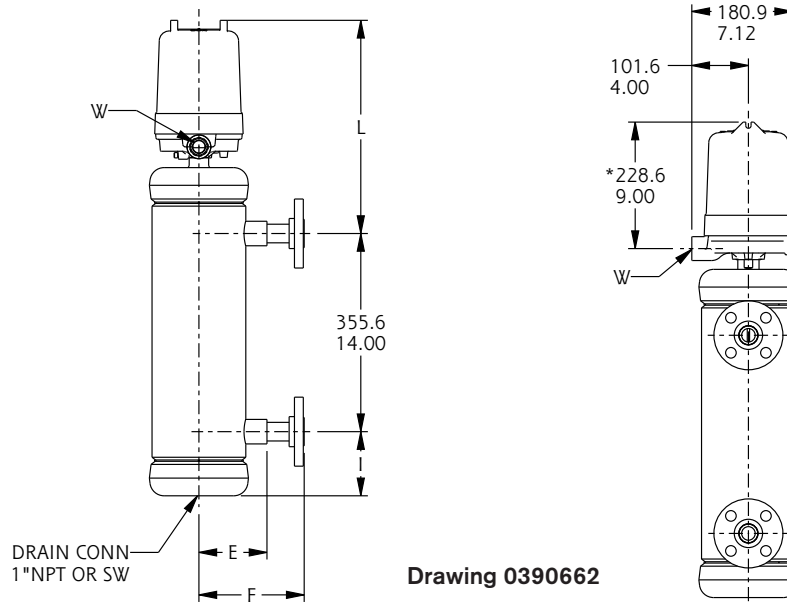
Dimensions in this catalog are for reference only. They may be changed without notice. Contact the factory for certified drawings for a particular model number. Dimensions are expressed as millimeters over inches. (Linear = mm/in.) "W" designates electrical connection, see page 22 for more housing information.



Drawing 0390660



Drawing 0390661



1" Connection

Model	D ^{1,2}	E ^{1,2}	F ⁴	G	H ⁴	I ²	L ²
	inch (mm)	inch (mm)	inch (mm)	inch (mm)	inch (mm)	inch (mm)	inch (mm)
740	13 (330)	3-1/4 (83)	6 (152)	16 (406)	16 (406)	3-3/4 (95)	20-1/4 (514)
804	12-3/4 (324)	3-7/8 (98)	8 (203)	16 (406)	16 (406)	6-3/4 (171)	21-3/4 (552)

1-1/2" Connection

Model	D ²	E ²	F ⁴	G	H ⁴	I ²	L ²
	inch (mm)	inch (mm)	inch (mm)	inch (mm)	inch (mm)	inch (mm)	inch (mm)
740	13 (330)	3-1/2 (89)	6 (152)	16 (406)	16 (406)	3-3/4 (95)	20-1/4 (514)
804	12-7/8 (327)	4 (102)	8 (203)	16 (406)	16 (406)	6-3/4 (171)	21-3/4 (552)

2" Connection

Model	D ²	E ²	F ⁴	G	H ⁴	I ^{2,3}	L ^{2,3}
	inch (mm)	inch (mm)	inch (mm)	inch (mm)	inch (mm)	inch (mm)	inch (mm)
740	-	-	6 (152)	16 (406)	16 (406)	3-3/4 (95) ⁵	20-1/4 (514) ⁵
804	13-3/16 (335)	4-5/16 (110)	8 (203)	16 (406)	16 (406)	7-3/4 (197)	21-3/4 (552)

Notes

1. Dimensions D and E apply to socket-weld connections only. Consult factory for NPT dimensions.
2. Consult factory for dimensions for materials other than carbon steel.
3. Applies to socket weld or NPT process connections only.
4. Consult the factory if weld neck process flanges are required. Dimensions may vary from those shown above.
5. Applies to flanged process connections only.

Dimensions in this catalog are for reference only. They may be changed without notice. Contact the factory for certified drawings for a particular model number. Dimensions are expressed as millimeters over inches. (Linear = mm/in.) "W" designates electrical connection, see page 22 for more housing information.

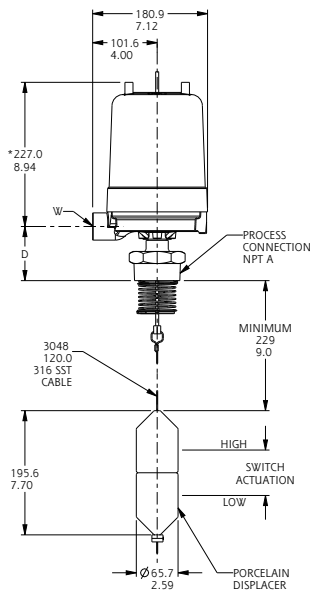
Narrow Differential Models 701-704:

Actuation differential is approximately 1-7/16"
@ Specific Gravity of 1.0 @ 100°F.

Wide Differential Models 705-708:

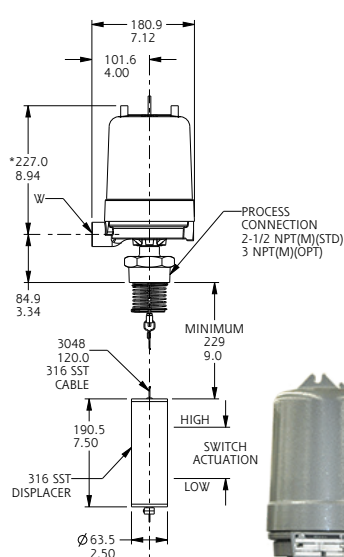
Actuation differential is adjustable from approximately
9-1/2" (minimum @ Specific Gravity of 1.0 @ 100°F)
to available cable length.

Model 701/703
Narrow Differential



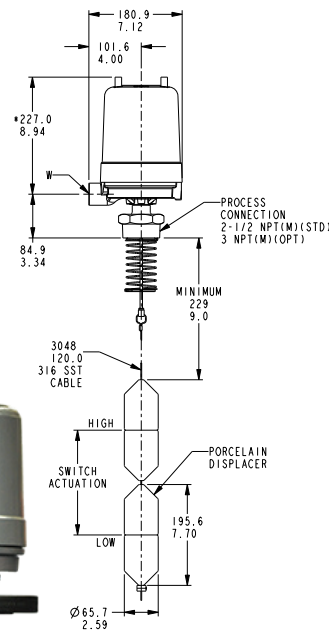
Drawing 0390670

Model 702/704
Narrow Differential



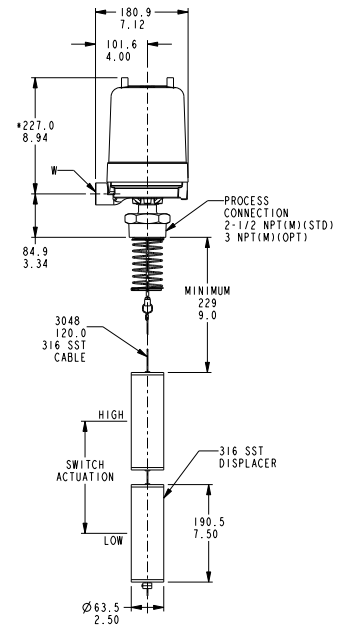
Drawing 0390671

Model 705/707
Wide Differential



Drawing 0390672

Model 706/708
Wide Differential



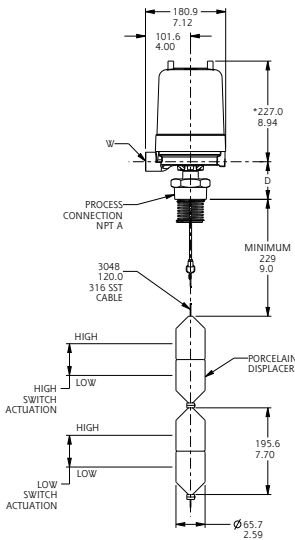
Drawing 0390673



Dimensions in this catalog are for reference only. They may be changed without notice. Contact the factory for certified drawings for a particular model number. Dimensions are expressed as millimeters over inches. (Linear = mm/in.) "W" designates electrical connection, see page 22 for more housing information.

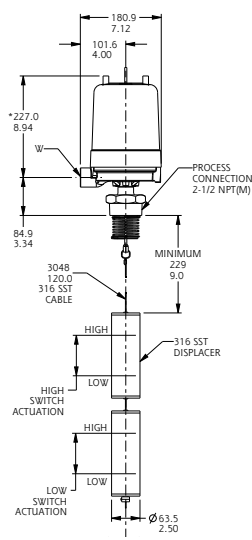


Model 730/732
Narrow Differential



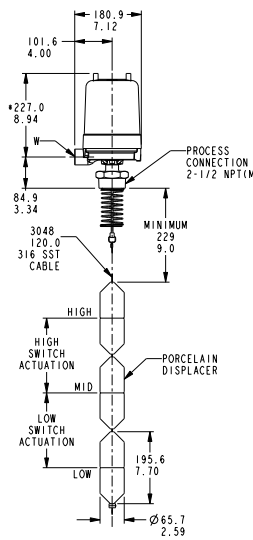
Drawing 0390677

Model 731/733
Narrow Differential



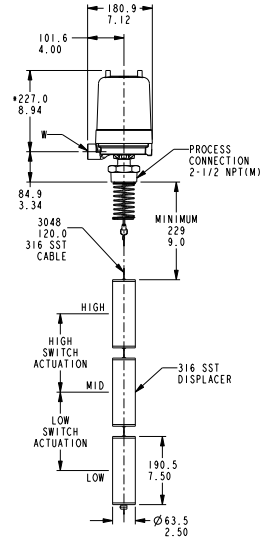
Drawing 0390678

Model 734/736
Wide Differential



Drawing 0390679

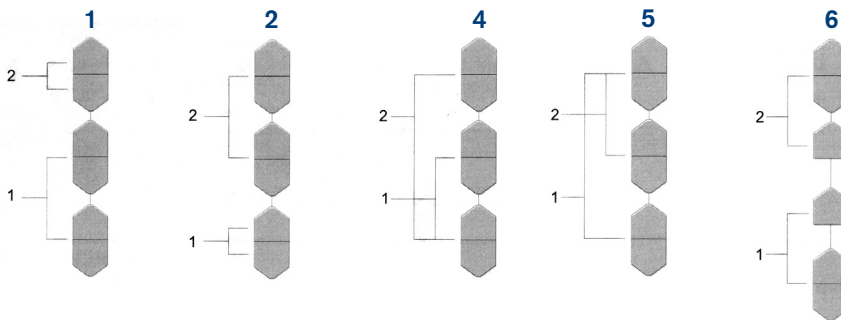
Model 735/737
Wide Differential



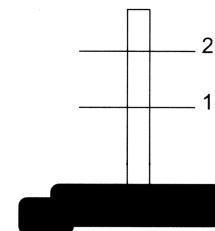
Drawing 0390680

Optional Switching Arrangements

Dual-stage, wide differential switches may be ordered with switching arrangements different from those shown above. To order, select the desired arrangement below and add **SC** to the accessory section of the model number. At the time of order, specify the required arrangement number. Porcelain displacers are shown for pictorial purposes only.



Switch Position



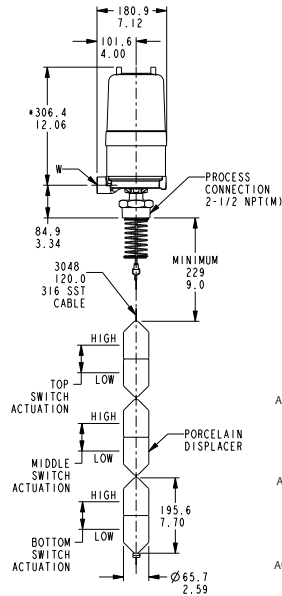
Level Switches

750 UNIT DIMENSIONS

Dimensions in this catalog are for reference only. They may be changed without notice. Contact the factory for certified drawings for a particular model number. Dimensions are expressed as millimeters over inches. (Linear = mm/in.) "W" designates electrical connection.

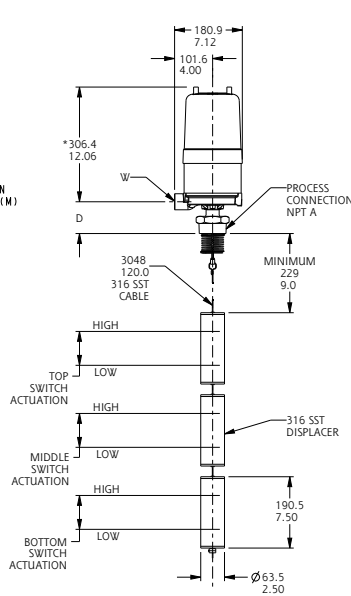


Model 750/752
Narrow Differential



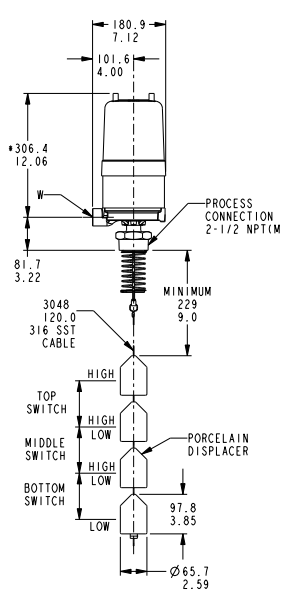
Drawing 0390681

Model 751/753
Narrow Differential



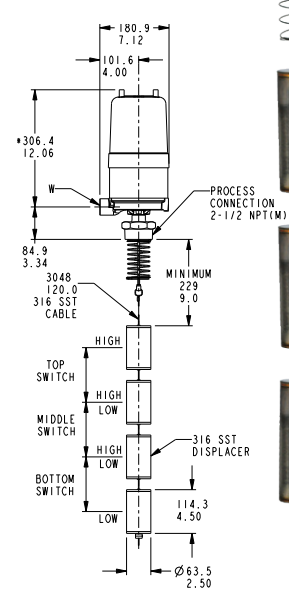
Drawing 0390682

Model 754/756
Wide Differential



Drawing 0390683

Model 755/757
Wide Differential

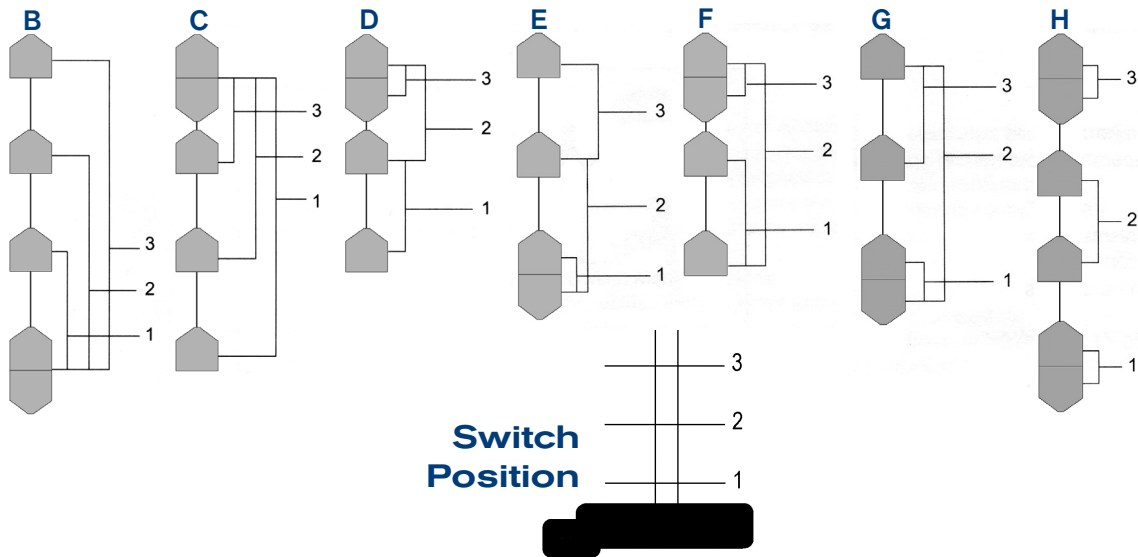


Drawing 0390684

* Minimum 8-3/4" (222 mm) overhead clearance required to remove housing cover.

Optional Switching Arrangements

Three-stage, wide differential switches may be ordered with switching arrangements different from those shown above. To order, select the desired arrangement below and add **SC** to the accessory section of the model number. At the time of order, specify the required arrangement number. Porcelain displacers are shown for pictorial purposes only.





MEASUREMENT AND CONTROL

SOR Inc. | Lenexa, KS USA | 913-888-2630 | Fax 913-888-0767 | SORInc.com

REGIONAL OFFICES

China

SOR China | Beijing, China | china@SORInc.com
+86 (10) 5820 8767 | Fax +86 (10) 58 20 8770

Middle East

SOR Measurement & Control Equipment Trading DMCC | Dubai, UAE
middleeast@SORInc.com | +971 4 363 3637 | Fax + 1 913 312 3596