

# E22

## Operation Manual

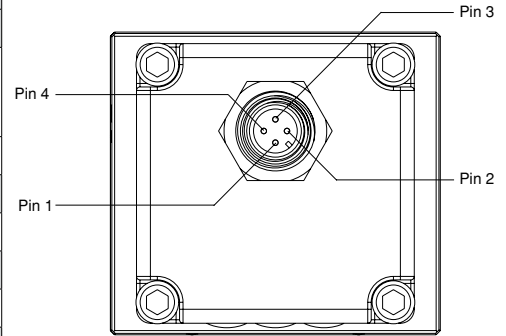
## Installation Manual



Specifications		E22
Minimum Supply Pressure		Set Pressure + 15 PSI (1 BAR)
Maximum Supply Pressure		Standard Pressure: 150 PSI (10 BAR) High Pressure: 190 PSI (13 BAR)
Regulating Pressure Ranges		Standard Pressure: 0-100 PSI (0-6.9 BAR) High Pressure: 0-150 PSI (0-10.2 BAR)
Power Supply	Voltage	24VDC ±10%
	Current Consumption	0.04 A
Input Signal	Current	4-20mA
	Voltage	0-5VDC, 0-10VDC
Input Impedance	0-5 VDC	10 KΩ
	0-10 VDC	20 KΩ
	4-20 mA	100 Ω
Output Signal	Analog Output	0-5VDC 0-10VDC 4-20mA
	Switch Output	24VDC (PNP or NPN)
Linearity		≤ ±1% of span
Hysteresis		≤ ±.5% of span
Repeatability		≤ ±.5% of span
Sensitivity		≤ ±.2% of span
Temp Characteristics		±.5% of span /°C
Output Display	Accuracy	±3% of span
	Minimum unit	PSI 0.1, BAR 0.01, kPa 001., kgf/cm² 0.01
Temperature Range		40-120°F 4-50°C
Enclosure		IP65 and NEMA 4 Equivalent
Weight		1.4 lbs (0.64kg)

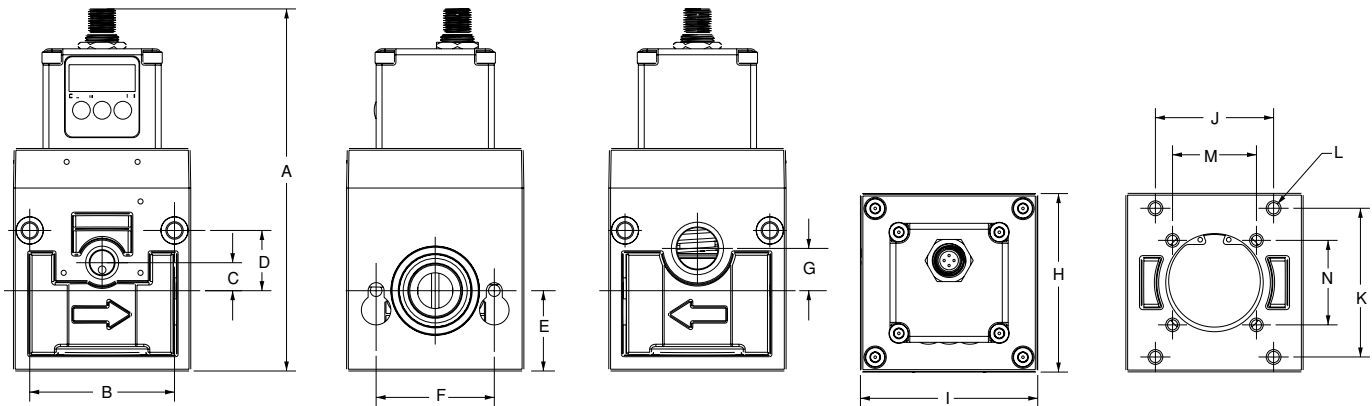
**Pin Configuration**

Pin Configuration		
Command Signal		
	Analog	Digital
Pin 1	+24VDC	
Pin 2	Command Signal	Input Signal 1
Pin 3	+0VDC common	
Pin 4	Monitor Output	Input Signal 2



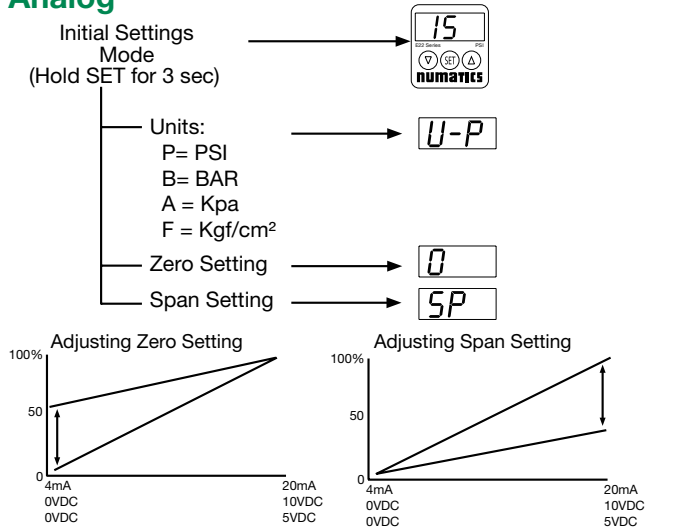
**Dimensions: Inches (mm)**

**E22 Series**



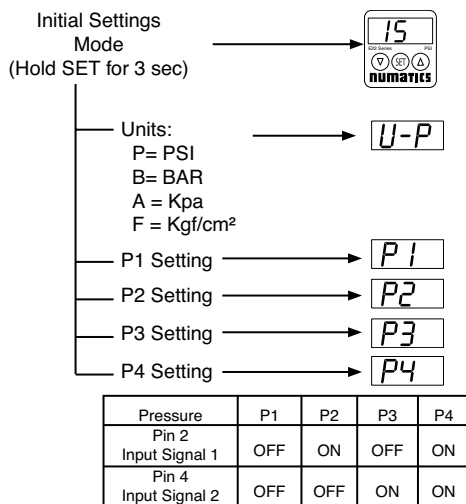
Dimensions	A	B	C	D	E	F	G	H	I	J	K	L	M	N
E22	5.57 (141)	1.83 (46)	0.29 (7)	.70 (18)	1.00 (25)	1.58 (40)	0.70 (18)	2.17 (55)	2.38 (60)	1.70 (43)	1.80 (46)	0.19 (5)	1.42 (36)	1.42 (36)

### Analog

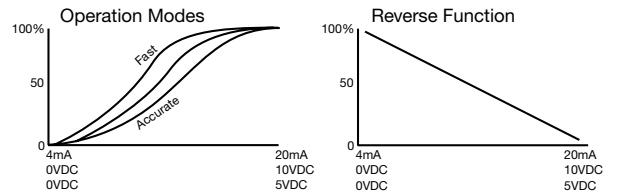
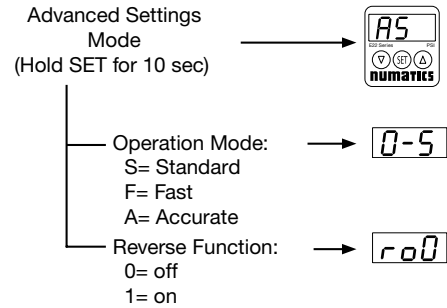


Hold the set button for 3 seconds or until "I S" is displayed. Once the set button is released the unit of measure is displayed as "U - P". To select the desired unit, scroll using the up or down arrow buttons. Once the appropriate unit is displayed, press the set button, which prompts the zero setting. This is shown by flashing between a left justified zero and a right justified setting. Use the up or down arrow buttons to select the desired minimum pressure. Press the set button to store the zero setting and prompts the span setting shown by flashing between "S P" and the setting. Use the up or down arrow buttons to select the span setting. Finally press the set button to store the span setting and return to normal operation.

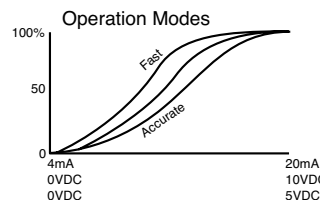
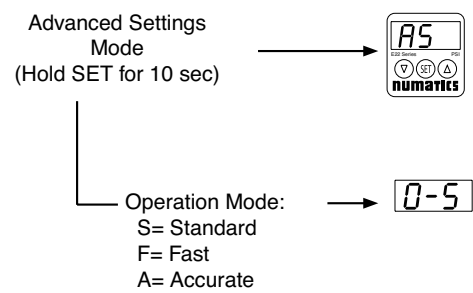
### Digital



Hold the set button for 3 seconds or until "I S" is displayed. Once the set button is released the unit of measure is displayed as "U - P". To select the desired unit, scroll using the up or down arrow buttons. Once the appropriate unit is displayed, press the set button, which prompts the first pressure point settings. The prompt is shown by flashing between a left justified "P1" and the right justified setting. Use the up or down arrow buttons to select the desired pressure set point. Press the set button to store the "P1" setting and prompts the next pressure set point. Use the same procedure to set the remaining three pressure set points. After "P4" is set, pressing the set button will store the setting and return to the normal operation mode.



Hold the set button for 10 seconds or until "A S" is displayed. Once the set button is released the operation mode is displayed as "O - S". Use the up or down arrow buttons, to select the optimal operation mode. The best mode will be determined by the application. Generally, the accurate mode should be used when response time is less critical than accuracy and the fast mode should be used when the response time is more critical than accuracy. Press the set button to store the appropriate operation mode and prompts the reverse function, displayed as "r". Use the up or down arrow buttons to turn the reverse function on or off. Finally, press the set button to store the reverse function and return to normal operation.

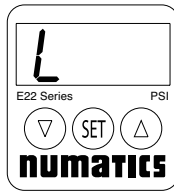


Hold the set button for 10 seconds or until "A S" is displayed. Once the set button is released the operation mode is displayed as "O - S". Use the up or down arrow buttons, to select the optimal operation mode. The best mode will be determined by the application. Generally, the accurate mode should be used when response time is less critical than accuracy and the fast mode should be used when the response time is more critical than accuracy. Press the set button to store the appropriate operation mode and returns to normal operation.

**Locked Mode**

Prevents any unintentional changes in the settings

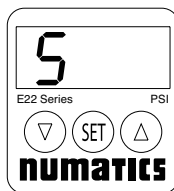
Press and hold the up and down arrow buttons for 10 seconds to activate the locked mode with will be displayed by a “L”. To unlock the display, press and hold the up and down arrow buttons for 10 seconds until the “U” is displayed.



**Self-Test Mode**

Allows for manual operation without a control signal. Use the up or down arrow keys to change pressures, helps determine the optimal pressure for the application.

Push and hold the SET button before power is applied. Continue to hold the SET button for 3 seconds after power is applied. Push and hold the UP and DOWN buttons for 10 seconds.



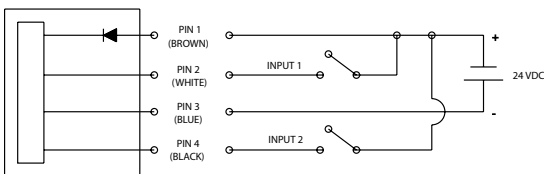
**Notes:**

1. This product is not intended to be used as a safety device to protect life or prevent injury.
2. Misapplication of this product could result in injury or equipment damage.
3. Supply air must be filtered to 5µ or less and free of moisture and lubricants.
4. Before installation, flush piping to insure that it is free of oil, pipe scale, rust, etc.
5. When using sealing tape, leave 1 1/2 or 2 threads bare to prevent contamination.
6. Operating device without supply pressure for prolonged periods of time could result in internal damage.
7. When the monitor output is not used, use proper shielding to protect the contact.
8. Unless otherwise specified, when power is removed from the unit, output pressure will remain at the last commanded pressure, until supply pressure is removed.
9. After the zero setting has been changed, the regulator will output that pressure after pressing the set button, even if there is no command signal present.
10. Disassembling this unit will void all warranties.

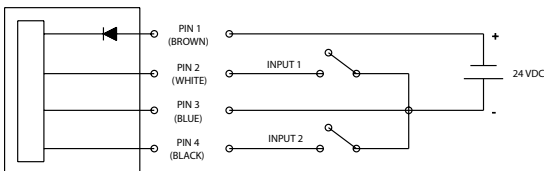
**Attention** Self-Test Mode will cause output pressure to change without a command signal. This may cause unexpected motion and/or unsafe conditions

**Wiring Diagrams:**

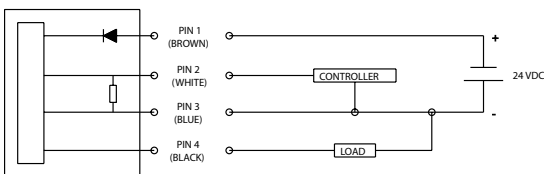
2 BIT, 4 PRESSURE SELECT WITH PNP INPUTS



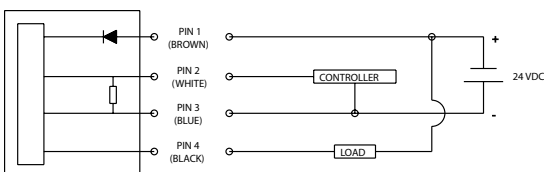
2 BIT, 4 PRESSURE SELECT WITH NPN INPUTS



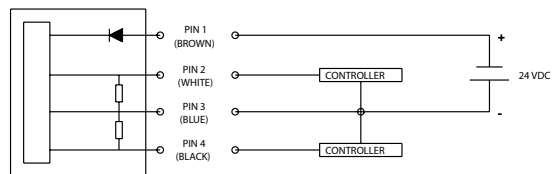
ANALOG INPUTS WITH A PNP OUTPUT



ANALOG INPUTS WITH A NPN OUTPUT



ANALOG INPUTS WITH ANALOG OUTPUTS



**How to Order**

**E 22 3 - 04 3 H**

<p><b>Series</b> 22 = 22 Series</p> <p><b>Input Signal</b> 1 = 4 - 20mA 2 = 0 - 5VDC 3 = 0 - 10VDC 9 = 2 bit, 4 pressure select (PNP sourcing) 0 = 2 bit, 4 pressure select (NPN sinking)</p> <p><b>Thread Types</b> - = NPTF G = GTap (BSPP) R = PT (BSPT)</p>	<p><b>Options</b> H = 0 - 150 PSI (10 BAR) regulating pressure range (For 0-100 PSI standard unit no suffix necessary)</p> <p><b>Feedback Signal</b> 1 = 4 - 20mA 2 = 0 - 5VDC 3 = 0 - 10VDC 8 = 24VDC Switched (PNP) 9 = 24VDC Switched (NPN) 0 = use with 2 bit, 4 pressure select (type 9 or 0 command signal)</p> <p><b>Port Tap Size</b> 02 = 1/4 03 = 3/8 04 = 1/2</p>
---	--



World Class Supplier of Pneumatic Components



## World Headquarters

### **USA Numatics, Incorporated**

46280 Dylan Drive  
Novi, Michigan 48377

P: 248-596-3200  
F: 248-596-3201

### **Canada Numatics, Ltd**

P: 519-758-2700  
F: 519-758-5540

### **Mexico Numatics de Mexico S.A. de C.V.**

P: 52-222-284-6176  
F: 52-222-284-6179

### **Brazil Ascoval Ind.e Comercio Ltda**

P: (55) 11-4208-1700  
F: (55) 11-4195-3970