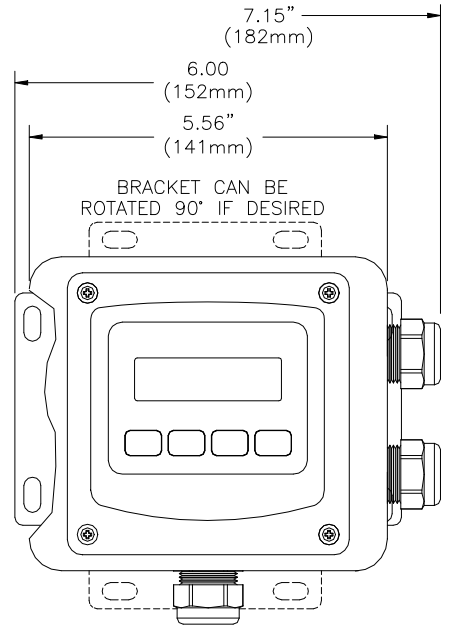
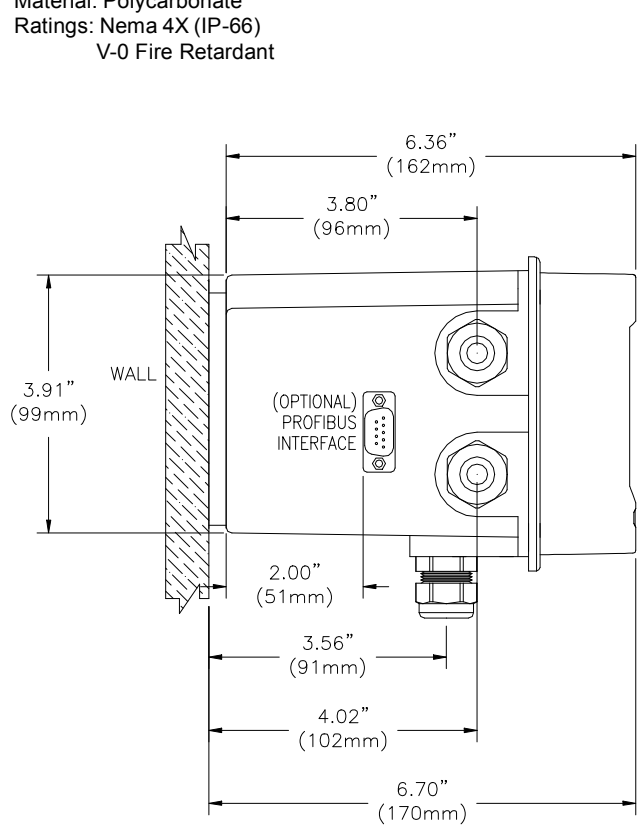


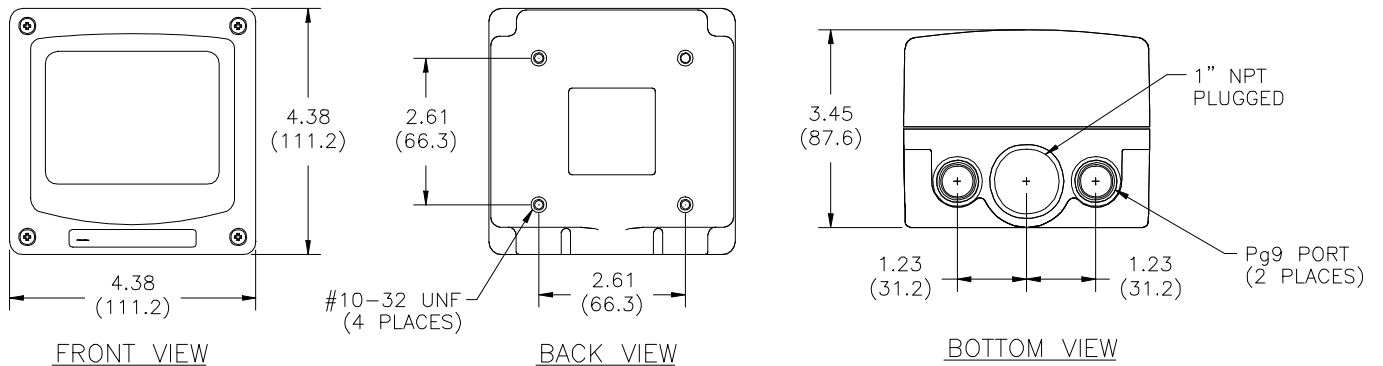
**ANALYZER DIMENSIONS (WALL MOUNT SHOWN)**

Material: Polycarbonate  
 Ratings: Nema 4X (IP-66)  
 V-0 Fire Retardant



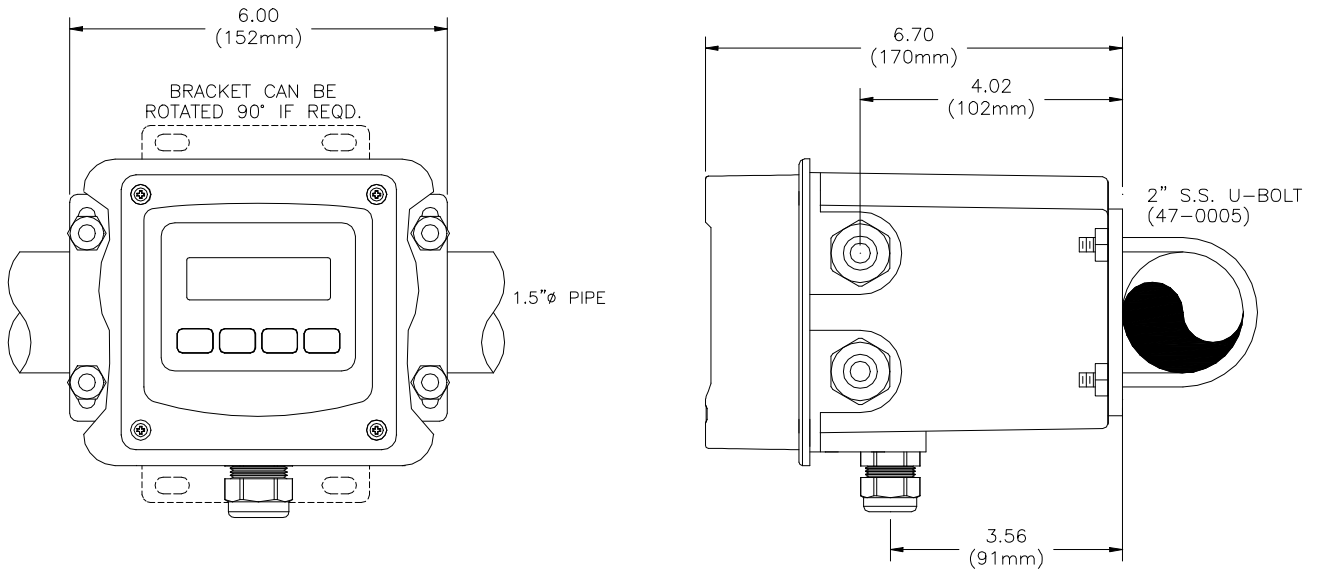
ATI-0926

**JUNCTION BOX**



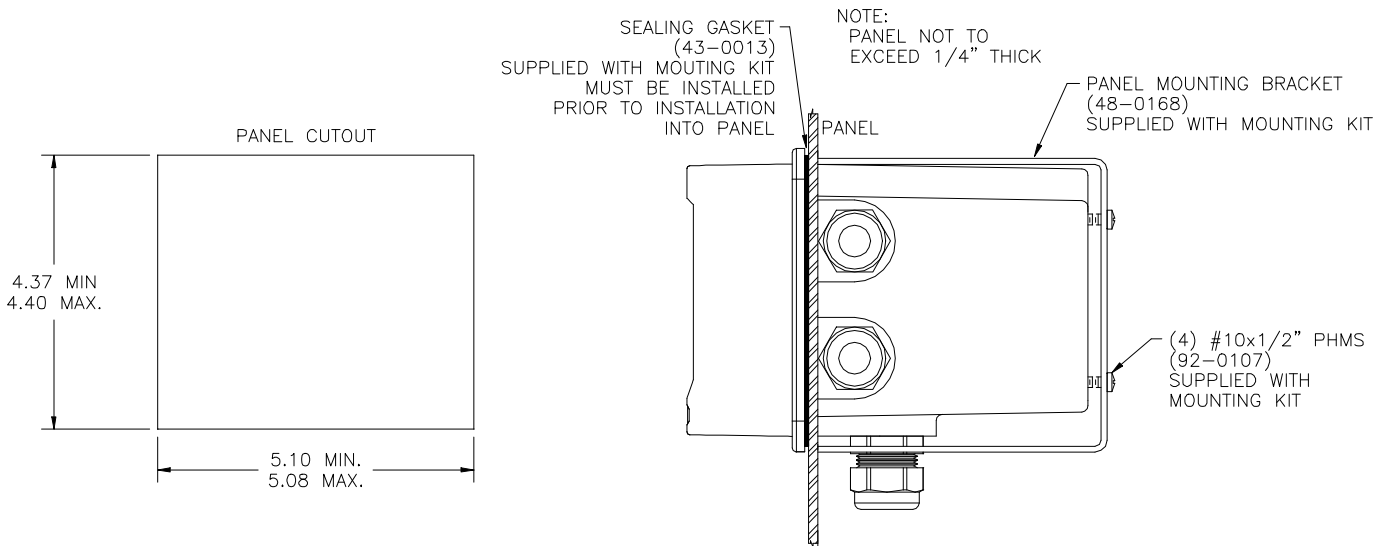
ATI-0655

**PIPE MOUNTING**



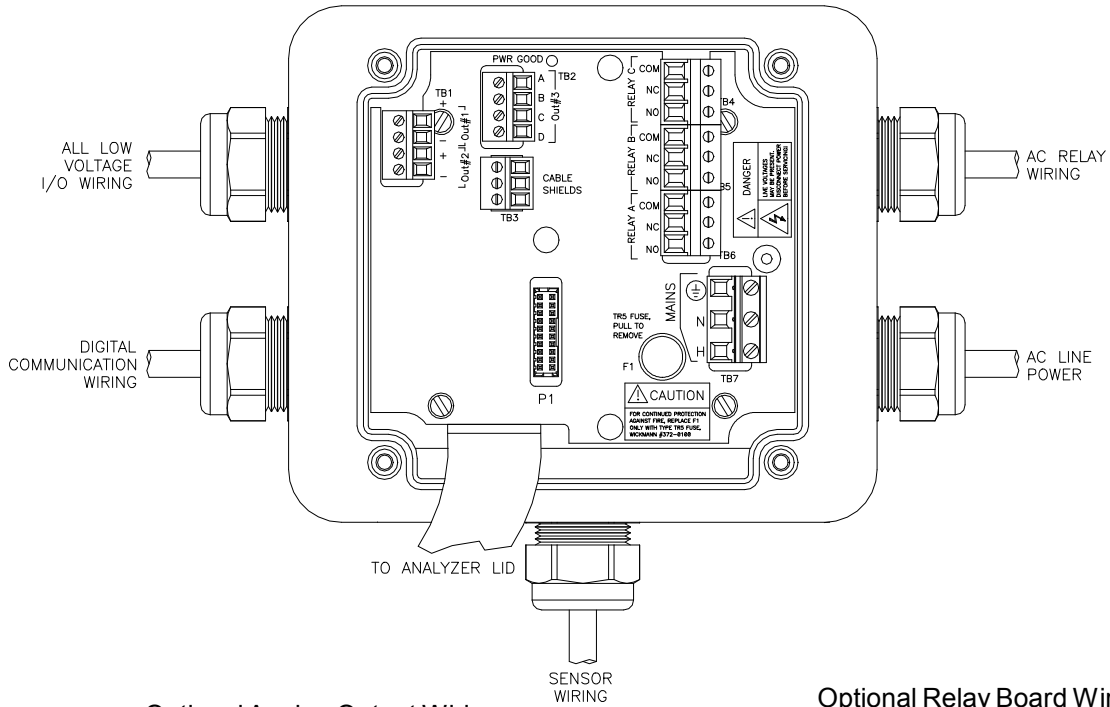
ATI-0927

**PANEL MOUNTING DIAGRAM**

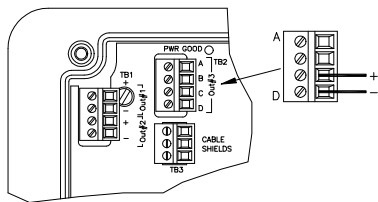


ATI-0928

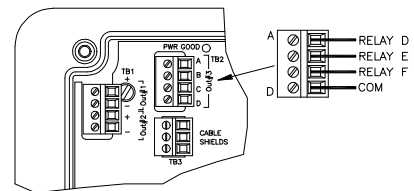
**POWER, RELAY, AND OUTPUT CONNECTIONS**



Optional Analog Output Wiring



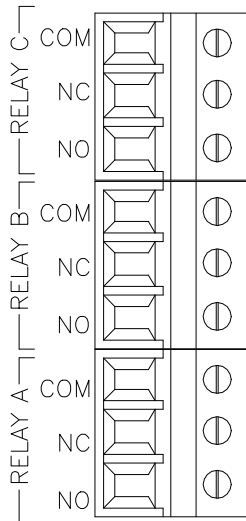
Optional Relay Board Wiring (30V Max.)



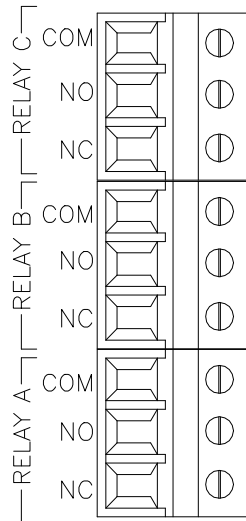
ATI-0930,  
0932, 0933

**RELAY WIRING TB4,5,6 DETAIL**

FACTORY DEFAULT (NORMAL MODE)

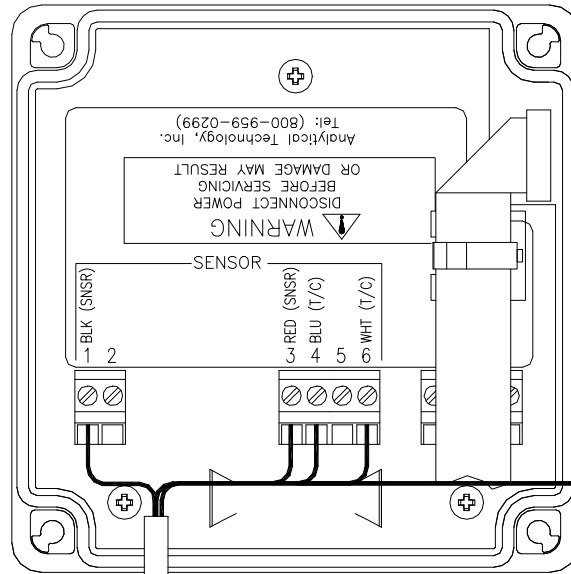


(FAILSAFE MODE)



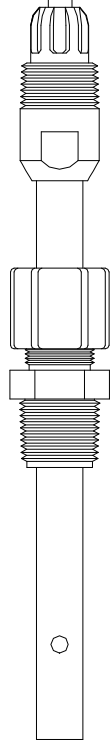
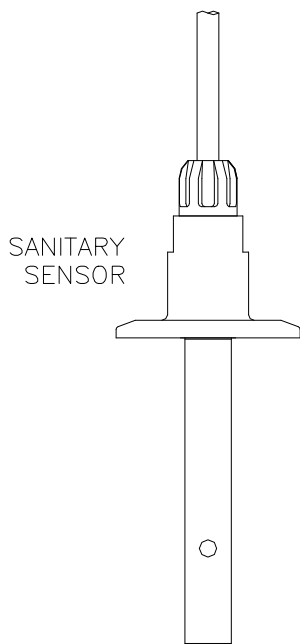
ATI-0931

**ELECTRICAL CONNECTIONS**



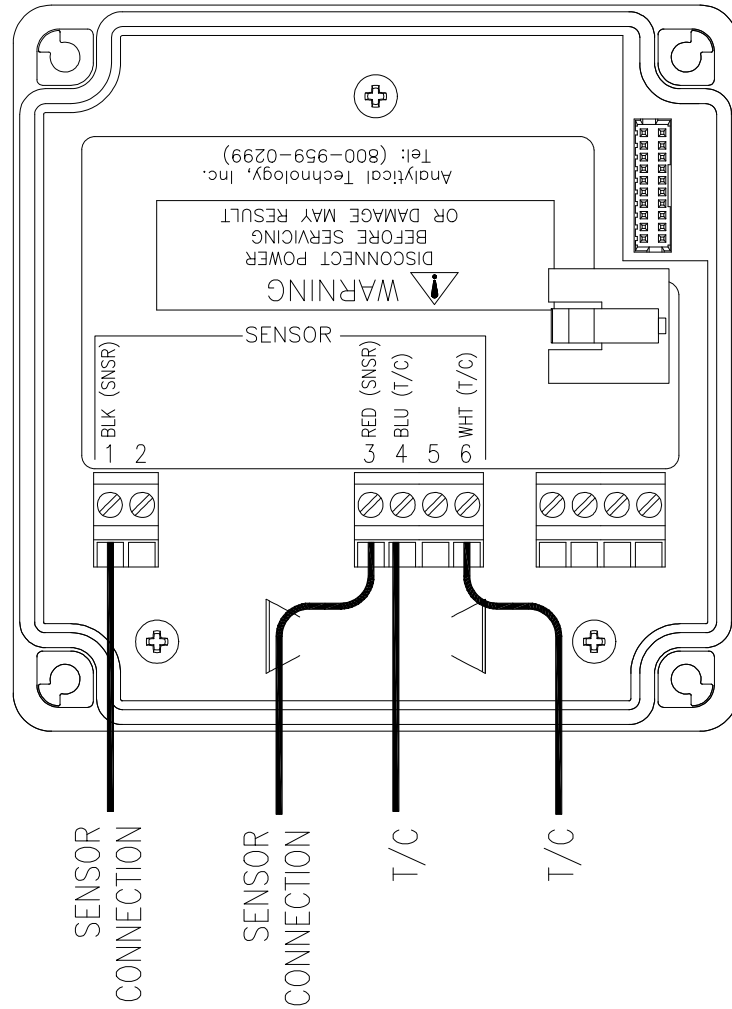
NOTE: SENSOR CONNECTIONS TYPICAL FOR DC POWER OPTION AS WELL

CONNECT BOTH INNER & OUTER CABLE SHIELDS TO T/B LABELED AS "CABLE SHIELDS" LOCATED INSIDE ENCLOSURE BOTTOM OF TRANSMITTER



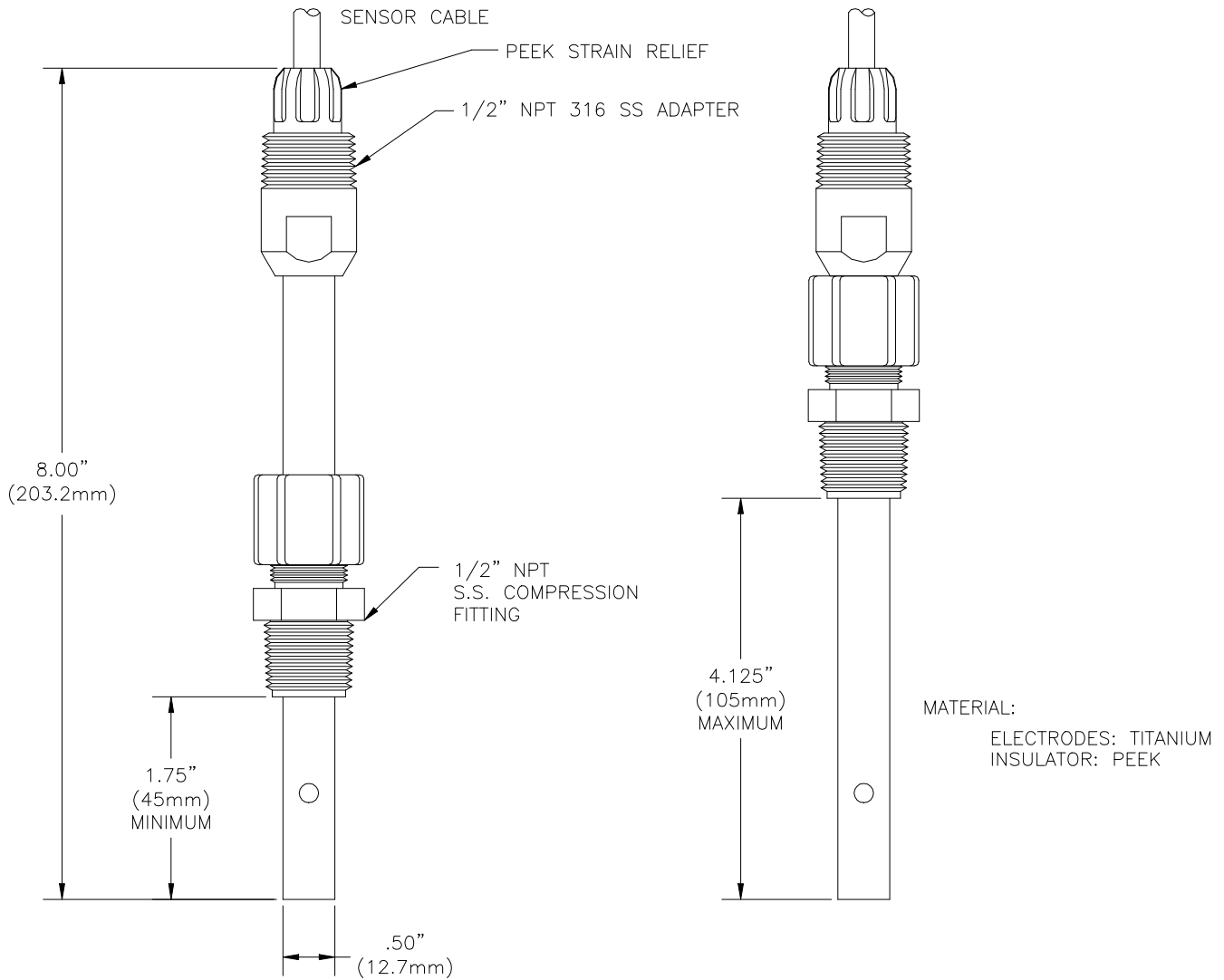
Q25C2 SENSOR

**SENSOR CONNECTIONS - OEM SENSORS**

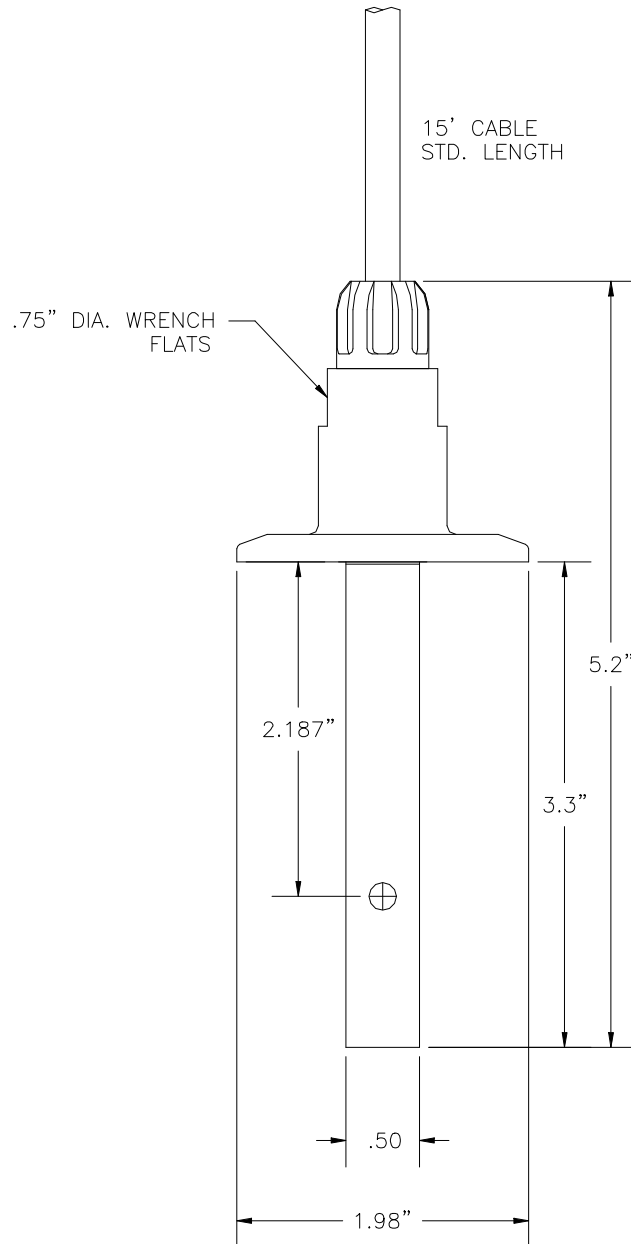


ATI-0950

**Q25C2 2-ELECTRODE CONDUCTIVITY SENSOR DIMENSIONS**

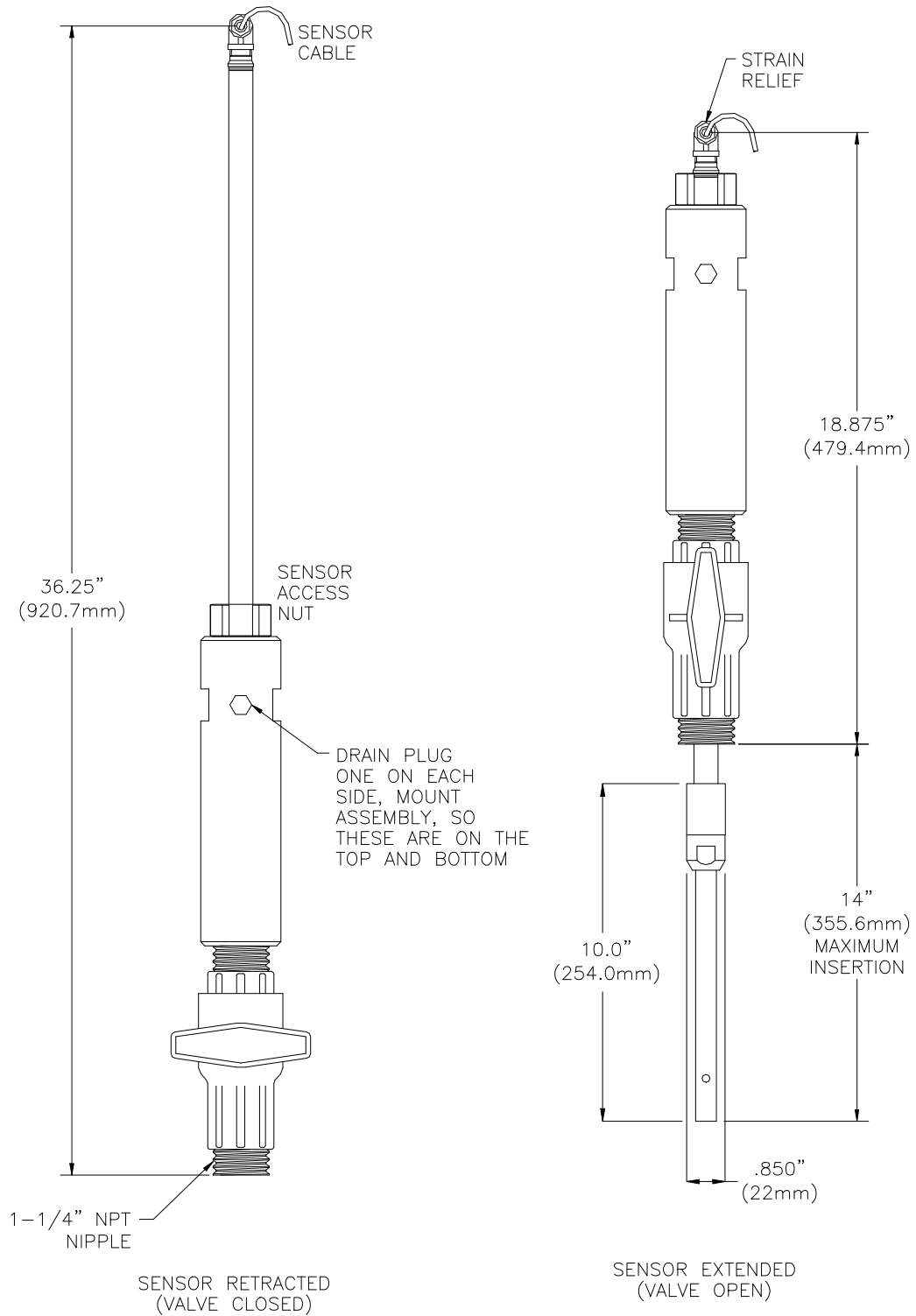


ATI-0741

**SANITARY SENSOR DIMENSIONS**

ATI-0919

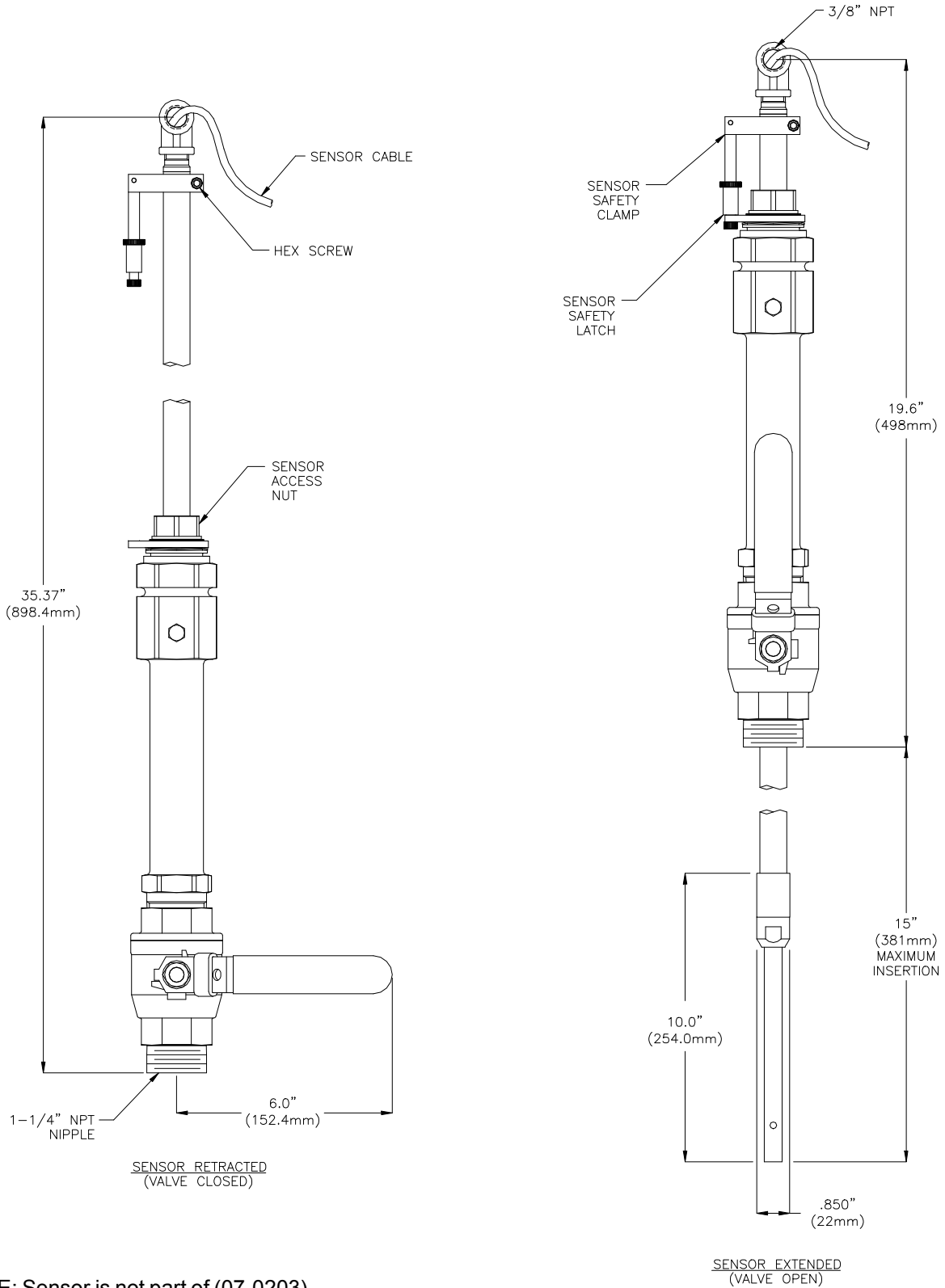
**INSERTION ASSEMBLY DETAIL (07-0223) - (CPVC VERSION)**



**NOTE:** Sensor is not part of (07-0223) insertion assembly



**INSERTION ASSEMBLY DETAIL (07-0203) - (SS VERSION)**



NOTE: Sensor is not part of (07-0203) insertion assembly