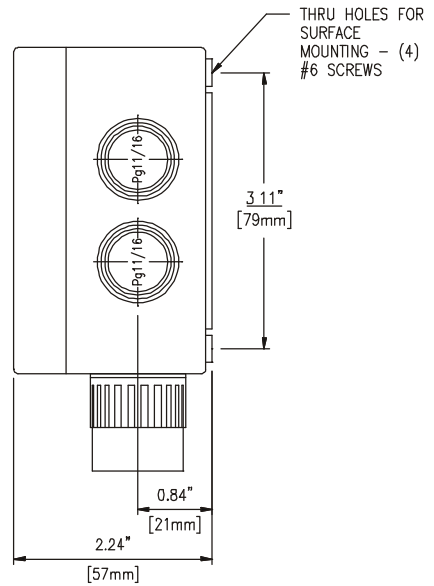
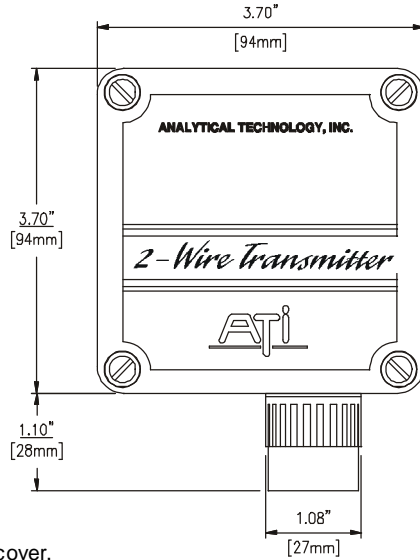


B12 SENSOR / TRANSMITTER



1) Enclosure Ratings:

Nema-4X / IP 66

2) Enclosure Material:

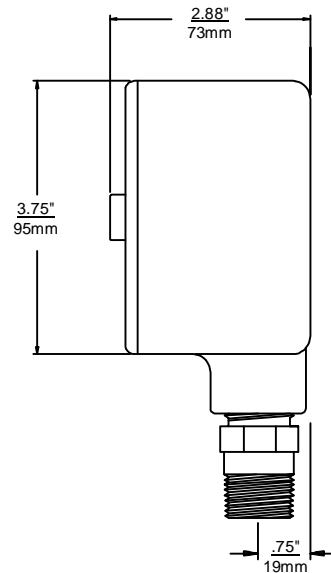
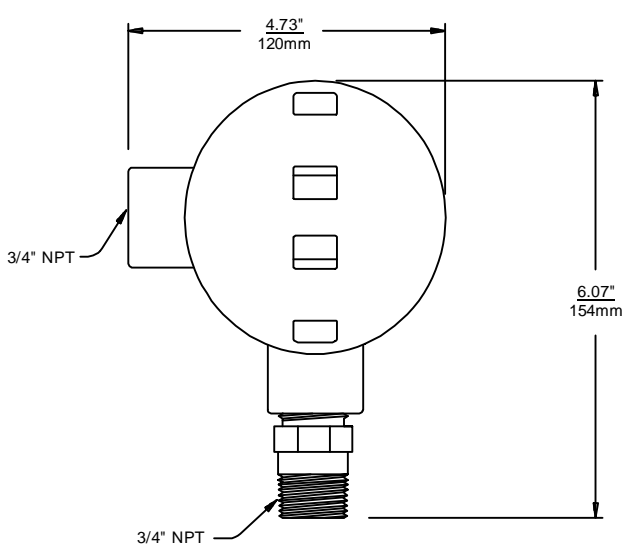
Polystyrene base and cover,
Standard Gray

3) Knockouts:

Pg 11 (.75" dia.)

Pg 16 (.90" dia.)

B12 SENSOR / TRANSMITTER - EXPLOSION-PROOF



1) Enclosure Ratings:

CLASS I, GROUPS B,C,D
CLASS II, GROUPS E,F,G
CLASS III

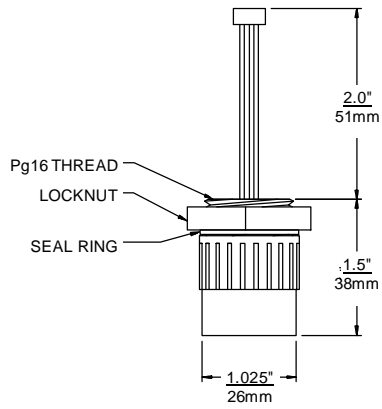
2) Assembly is normally mounted directly to suitable explosion-proof conduit.

3) To maintain the integrity of the transmitter, explosion-proof conduit and cable entry seals are required by local electrical codes.

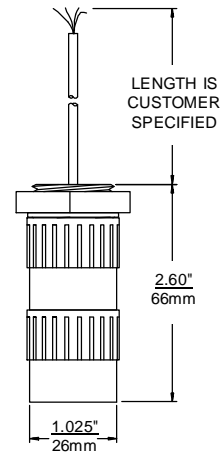
4) Remote C10 Sensor is dimensionally the same as the standard version. Cable length is specified by customer. Dual conduit required for installation.

GAS SENSORS

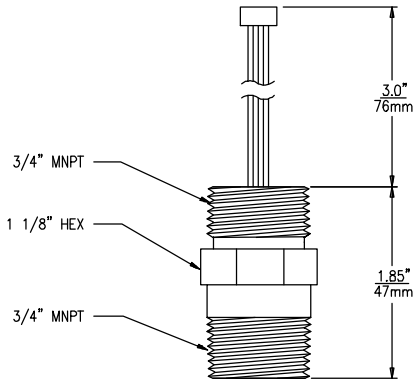
A10 SENSOR
GAS SPECIFIC



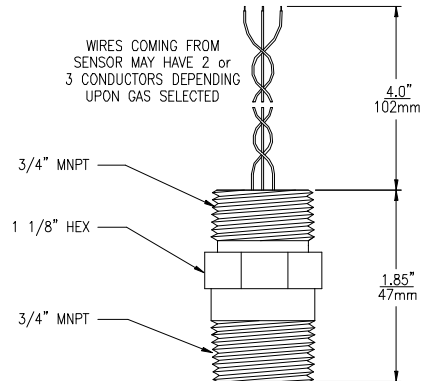
A10 REMOTE SENSOR
GAS SPECIFIC



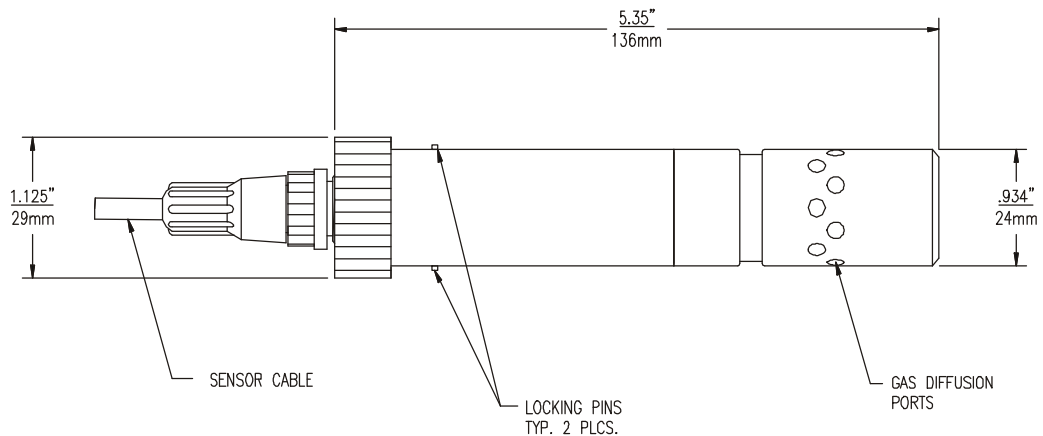
C10 EXPLOSION-PROOF SENSOR
GAS SPECIFIC



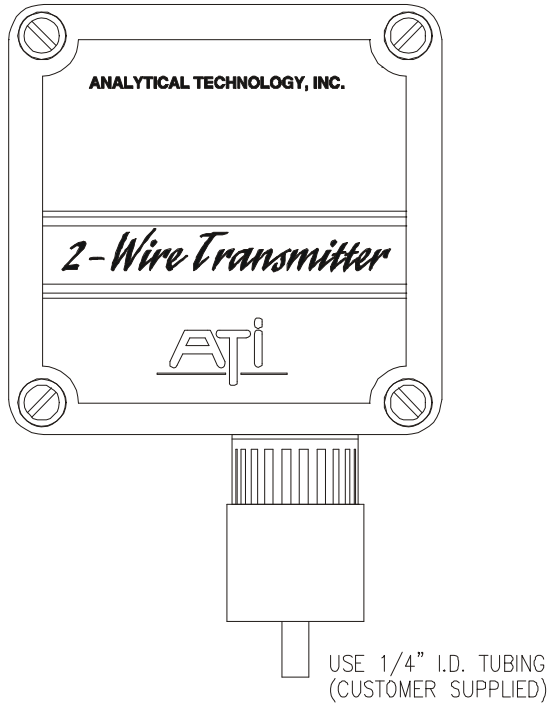
C10 LEADED EXPLOSION-PROOF
SENSOR
GAS SPECIFIC



G10 SENSOR
GAS SPECIFIC

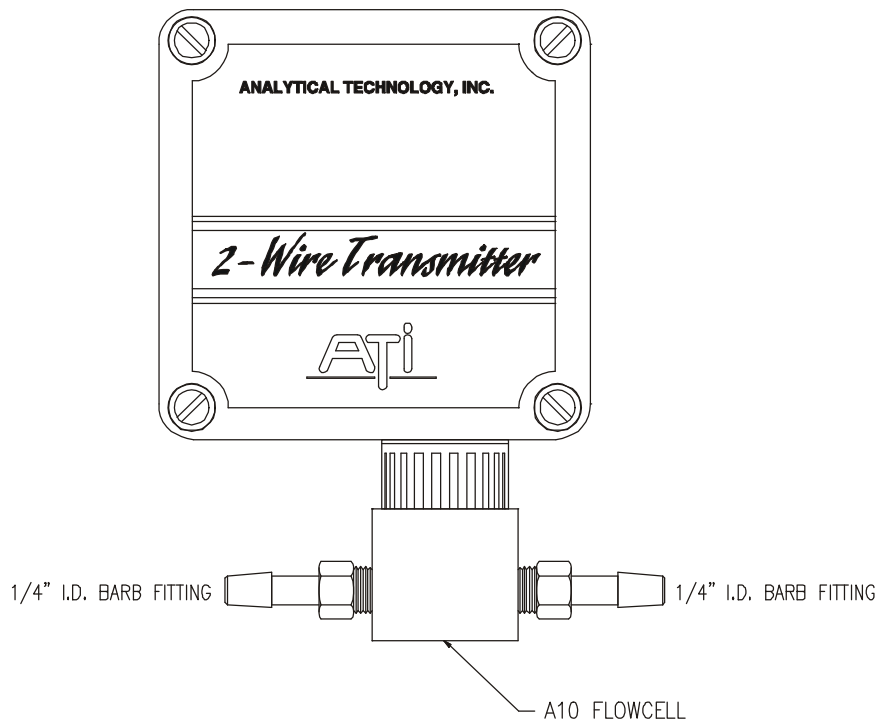


B12 w/ A10 SENSOR CALIBRATION ADAPTER



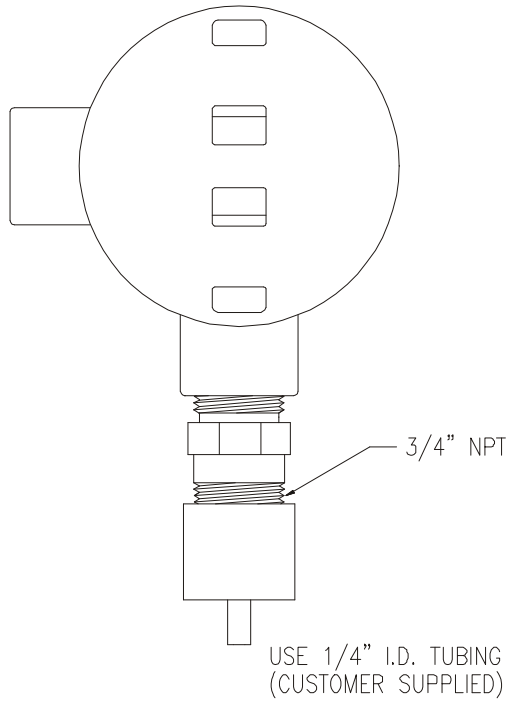
ATI-0467

B12 w/ A10 SENSOR FLOWCELL ASSEMBLY



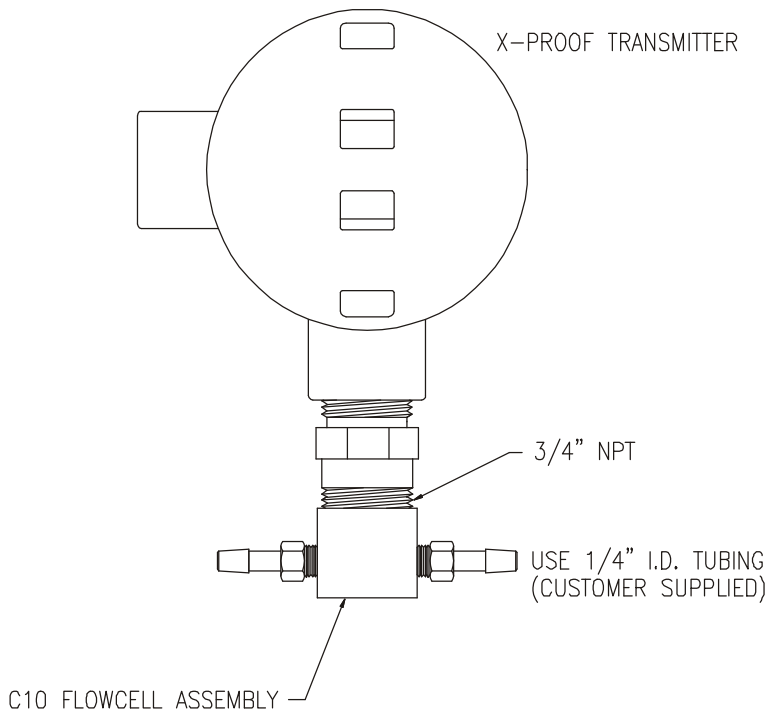
ATI-0468

X-PROOF TRANSMITTER w/ C10 SENSOR CALIBRATION ADAPTER



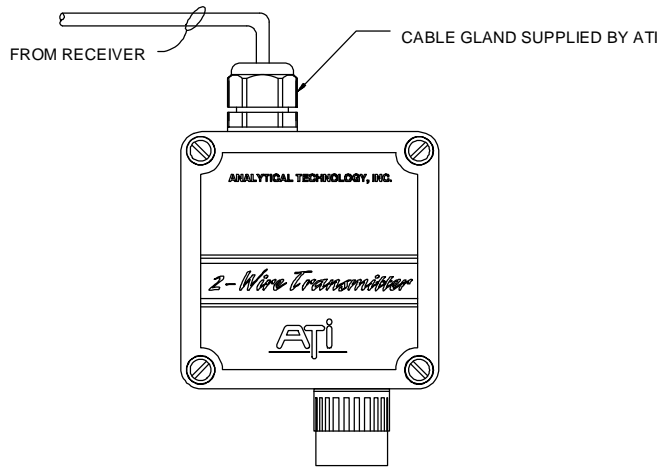
ATI-0466

XPROOF TRANSMITTER w/ C10 SENSOR FLOWCELL ASSEMBLY

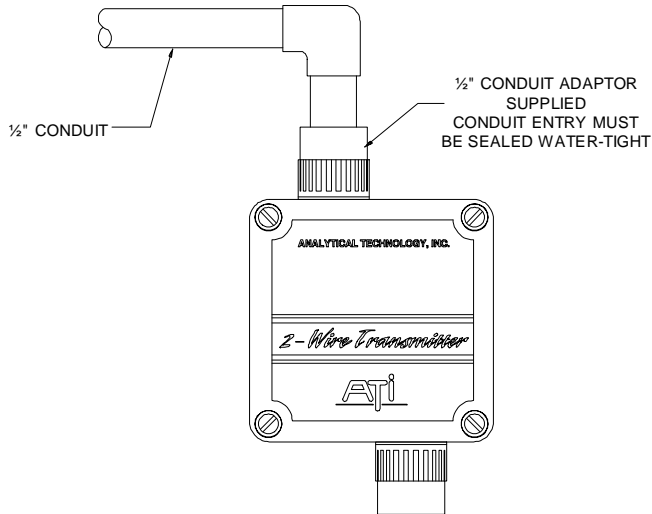


ATI-0465

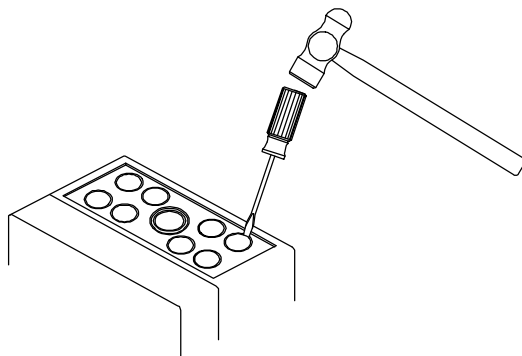
CABLE GLAND INSTALLATION



CONDUIT MOUNT INSTALLATION



REMOVING KNOCKOUTS



NOTES

- 1) Mount Transmitter to wall with screws inserted in blind mounting holes, (accessible with cover removed).
- 2) Cable gland supplied uses Pg 11 knockout. Use extreme care in removing knockout. Score inside of concentric knockout with razor knife.
- 3) Sun shade is recommended for outdoor applications.

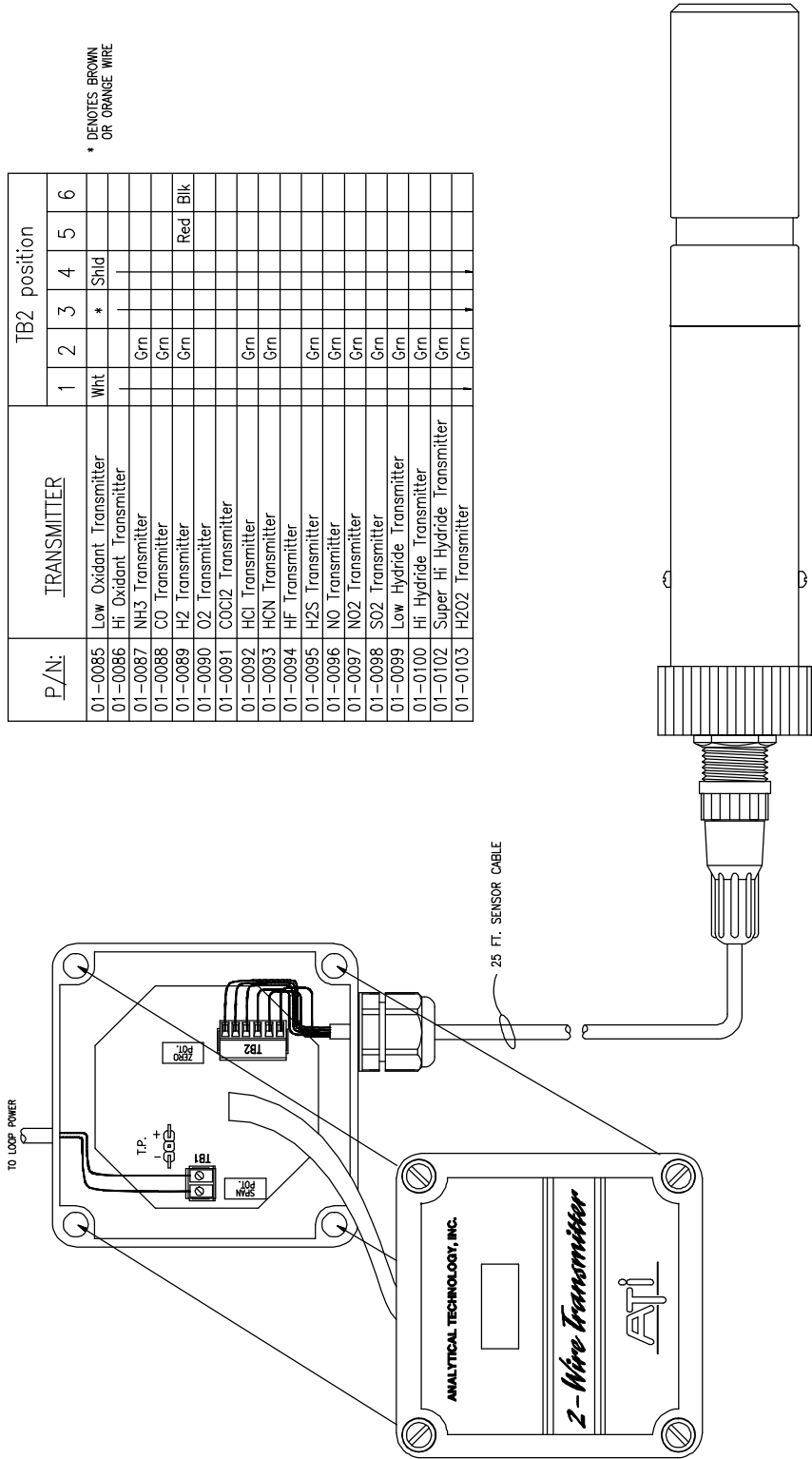
- 1) Transmitter may be supported by conduit or screwed to wall through blind mounting holes.
- 2) Sun shade is recommended for outdoor applications.

- 1) To remove knockouts, place a thin bladed screwdriver into the circular slot or the desired knockout size and tap firmly with a hammer.
- 2) Remove Transmitter PCB prior to removing knockouts, to prevent damage to the PCB.

B12/G10 Insertion Sensor (Customer Wiring)

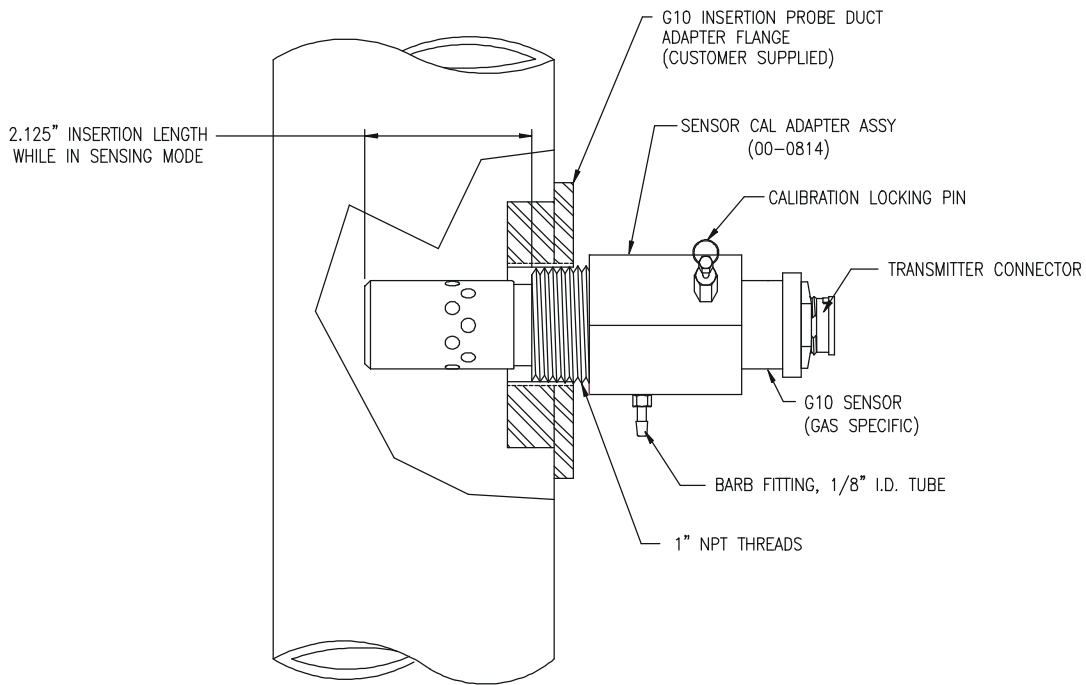
P/N:	TRANSMITTER	TB2 position					
		1	2	3	4	5	6
01-0085	Low Oxidant Transmitter	Wht		*	Shld		
01-0086	Hi Oxidant Transmitter						
01-0087	NH3 Transmitter		Grn				
01-0088	CO Transmitter		Grn				
01-0089	H2 Transmitter		Grn			Red	Blk
01-0090	O2 Transmitter						
01-0091	COCl2 Transmitter						
01-0092	HCl Transmitter		Grn				
01-0093	HCN Transmitter		Grn				
01-0094	HF Transmitter		Grn				
01-0095	H2S Transmitter		Grn				
01-0096	NO Transmitter		Grn				
01-0097	NO2 Transmitter		Grn				
01-0098	SO2 Transmitter		Grn				
01-0099	Low Hydride Transmitter		Grn				
01-0100	Hi Hydride Transmitter		Grn				
01-0102	Super Hi Hydride Transmitter		Grn				
01-0103	H2O2 Transmitter		Grn				

* DENOTES BROWN OR ORANGE WIRE



ATI-0348

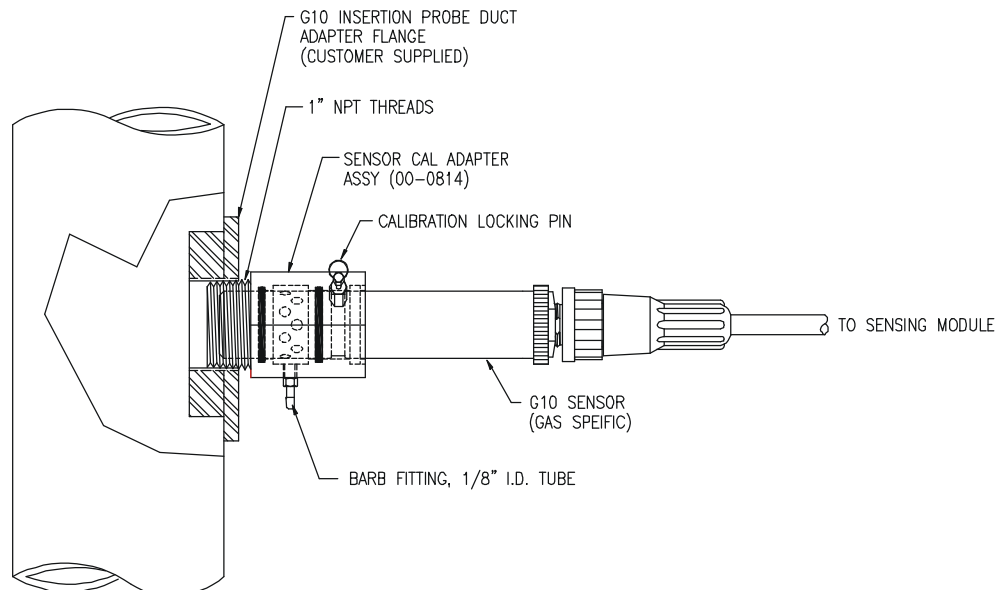
G10 INSERTION PROBE (SENSING POSITION)



ATI-0298

G10 INSERTION PROBE (CALIBRATION POSITION)

- 1) To place sensor into the Calibration position, slowly back the sensor out of the housing, until you here a click and the sensor doesn't move any more. The sensor is now positioned to be calibrated. Attach tubing to barb fitting, and proceed with calibration. When calibration is complete, the sensor is now ready to be placed back into the sensing position. To do this pull up on the locking pin, and slide the sensor in a little bit release the pin, then continue to slide the sensor all the way into the pipe. The sensor is now in operation again.



ATI-0299