

FEATURES

- Compact pilot boxes with direct operated, integrated pilot valves
- Especially designed for the remote control of pulse valves (series 353)
- Pilot valves are assembled in base plate
- Heating element for trouble free operation at low ambient temperatures
- Class of protection: IP 65
- The components satisfy all relevant EC directives

GENERAL

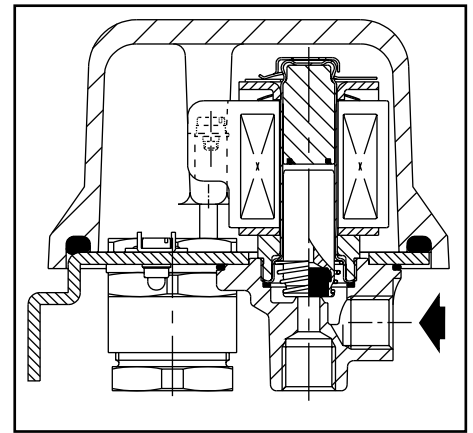
Differential pressure (PS) 0 - 7 bar [1 bar = 100kPa]
Response times 5 - 25 ms

fluid	temperature range (TS)	seal material
air	-20 to +80°C	NBR (nitrile)



CONSTRUCTION

Base-plate	Steel (zinc plated)
Cover	Cast-aluminium
Core tube	Stainless steel
Core and plugnut	Stainless steel
Spring	Stainless steel
Disc	NBR
Pilot body	Brass
Shading coil	Copper
Coil insulation class	F
Electrical connection	Coil with screw terminal



ELECTRICAL CHARACTERISTICS

Standard voltages DC (=) 24V
AC (~) 24V - 115V - 230V/50Hz

coil type	nominal power ratings				ambient temperature range (°C)	protection	replacement coil	
	inrush ~ (VA)	holding		hot/cold = (W)			~ 230 V/50 Hz	= 24 V DC
		~ (VA)	(W)					
SMXX-FB	56	35	16,7	-	0 to +85	moulded IP65	400405-217	-
SMXX-FI (1)	-	-	-	30			-	400405-642

SPECIFICATIONS

number of pilot valves	pipe size Rp	orifice size (mm)	flow coefficient kv (m³/h) (l/min)		operating pressure differential (bar)		catalogue number for boxes (2)	
					min.	maximum (PS)	without heating	with 1 heating element (3)
						air ~/=		
4 5 6	1/4	5,6	0,71 11,8	0	7	C204-220 C205-220 C206-220	C204-221 C205-221 C206-221	

- (1) Intermittent duty, Relative Duty Time is 10%. Max on time 1 min.
(2) Without heating elements: minimum ambient temperature 0°C; with one heating element: -15°C
(3) Heating element: refer to "Ordering Information". Heating element rating: 80 watt.

OPTIONS

- Heating element for low ambient temperatures
- Special customer adapted executions on request

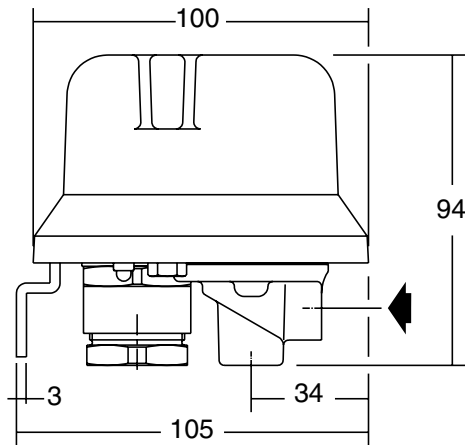
INSTALLATION

- The pilot boxes can be mounted in any position without affecting operation
- Pipe connections are: Rp 1/4 according to ISO 7/1 for pilot connection
- Cable entries: control cable on box : cable Ø 13 - 18 mm
connection cable heating element : cable Ø 6 - 12 mm
- Spare parts kit and replacement coils are available

SPARE PARTS KITS

catalogue number	Spare parts kit no.	
	~	=
C204.220/221	C112838	C112682
C205.220/221		
C206.220/221		

DIMENSIONS (mm), WEIGHT (kg)



ORDERING INFORMATION

C20 6 - 2 2 0 230/50

Volts / Hz

Optional execution

- 0 = no heating element
- 1 = element with same voltage as coils. If coil voltage deviates from heating element voltage, please consult us for exact codification

Pipe size Rp 1/4

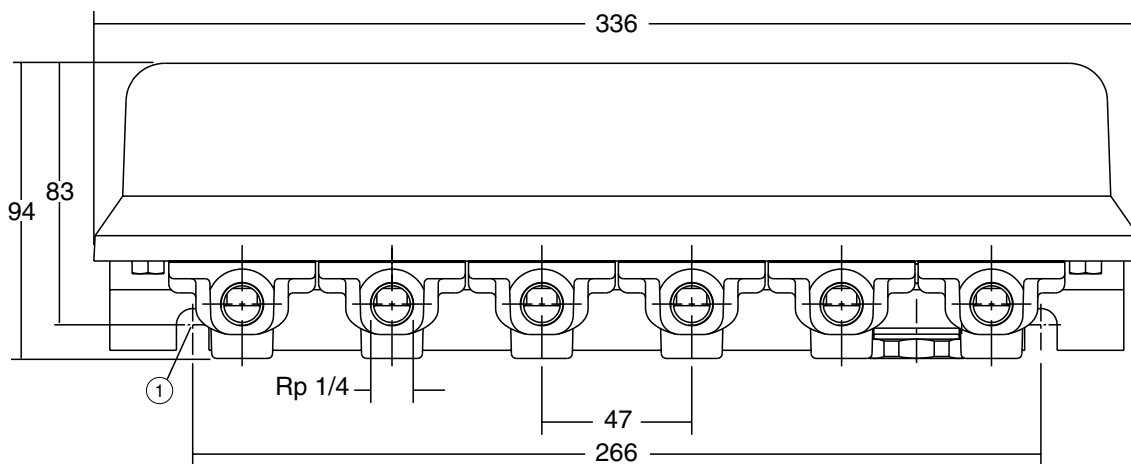
Coil type only SMXX

Change letter

Number of pilots

- 4 = 4 pilot valves
- 5 = 5 pilot valves
- 6 = 6 pilot valves

Basic number C20



① Mounting : 2 holes Ø 10 with pitch D

pipe connections	weight
C204	3,7
C205 Rp 1/4	4,1
C206	4,6