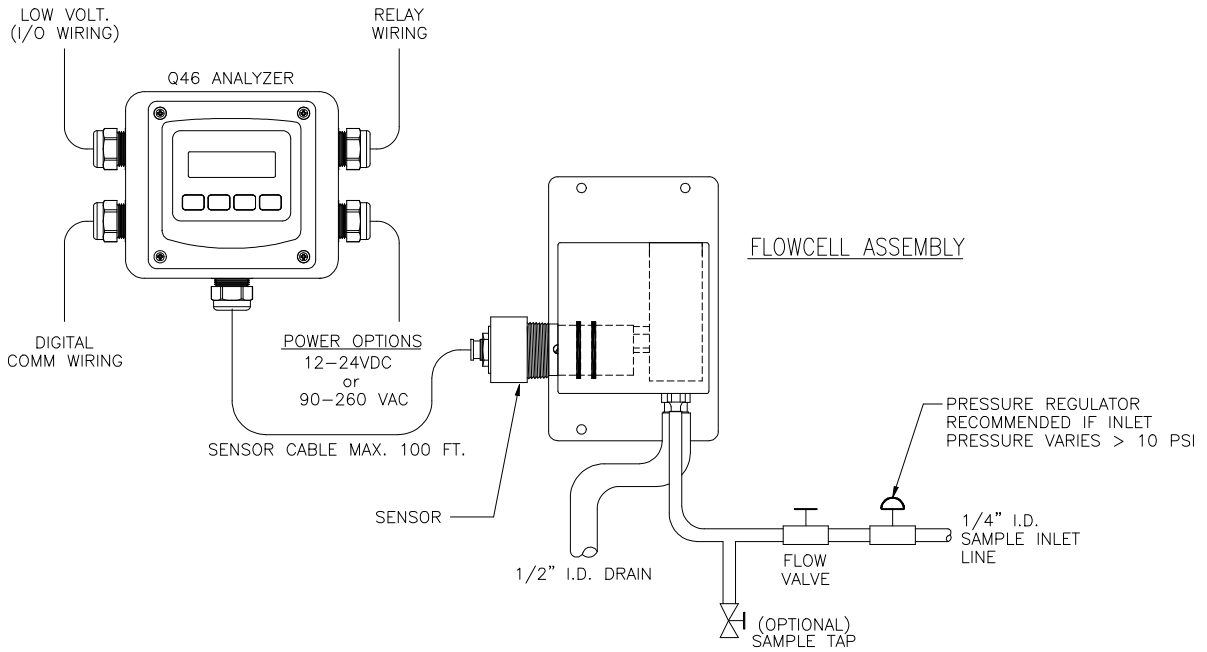
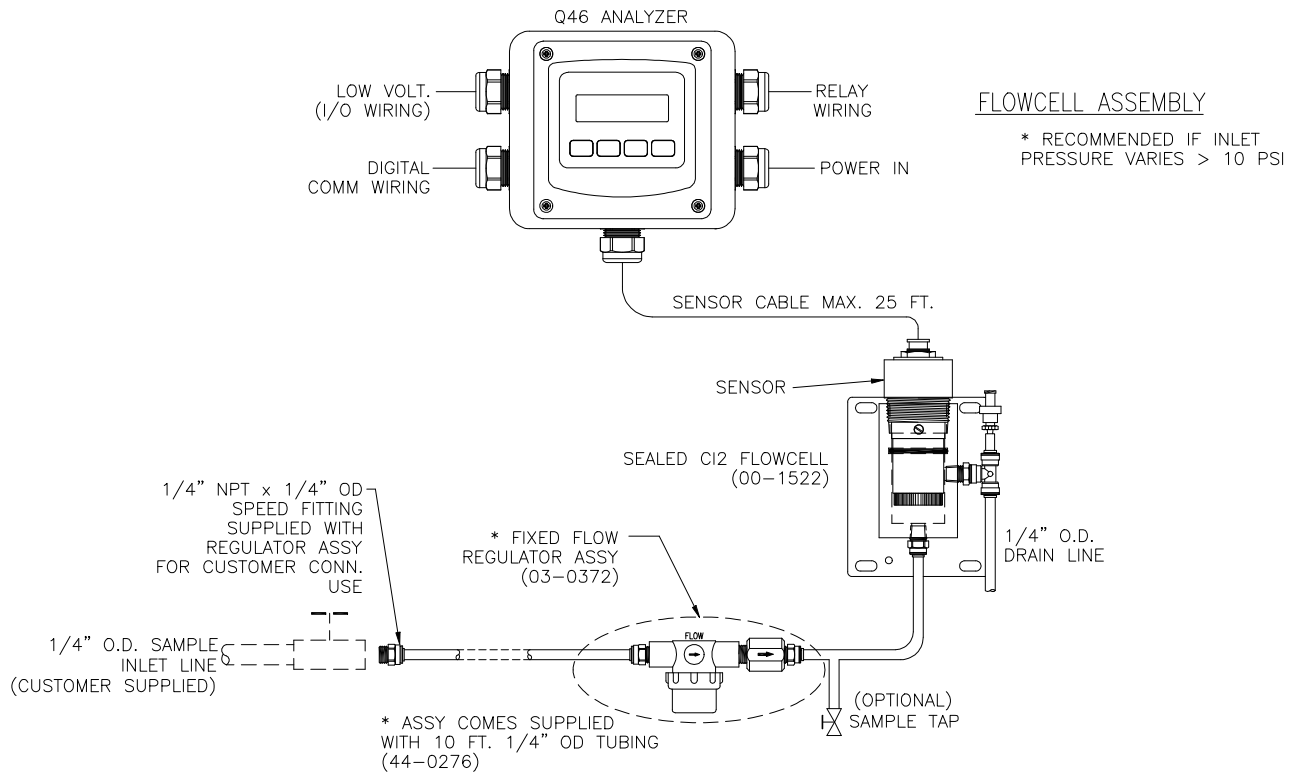


**STANDARD SYSTEM DIAGRAM**



ATI-0922

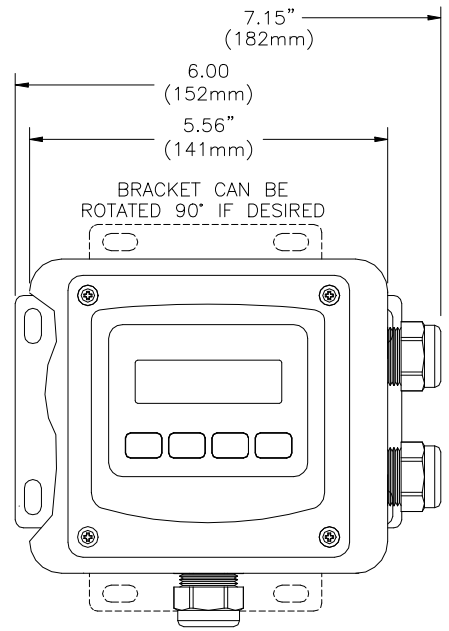
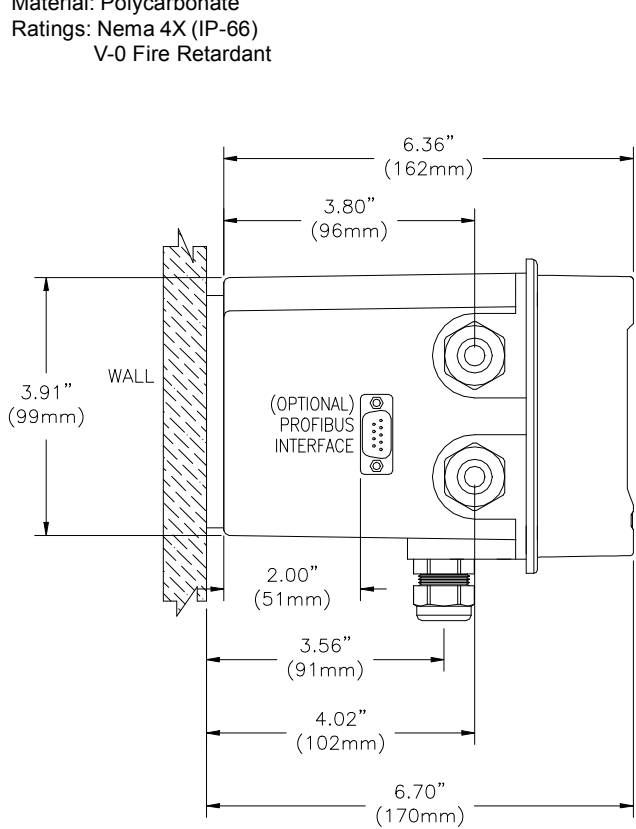
**SYSTEM DIAGRAM w/SEALED FLOWCELL**



ATI-0924

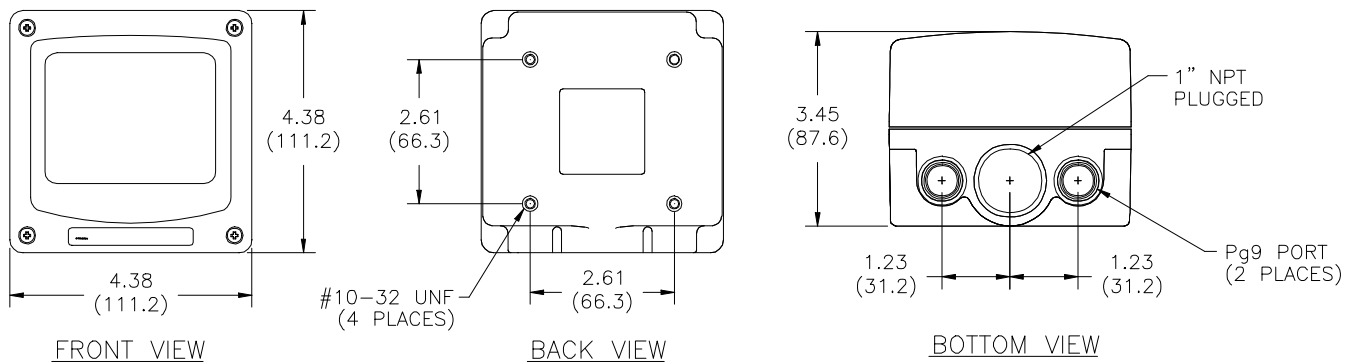
**ANALYZER DIMENSIONS (WALL MOUNT SHOWN)**

Material: Polycarbonate  
 Ratings: Nema 4X (IP-66)  
 V-0 Fire Retardant



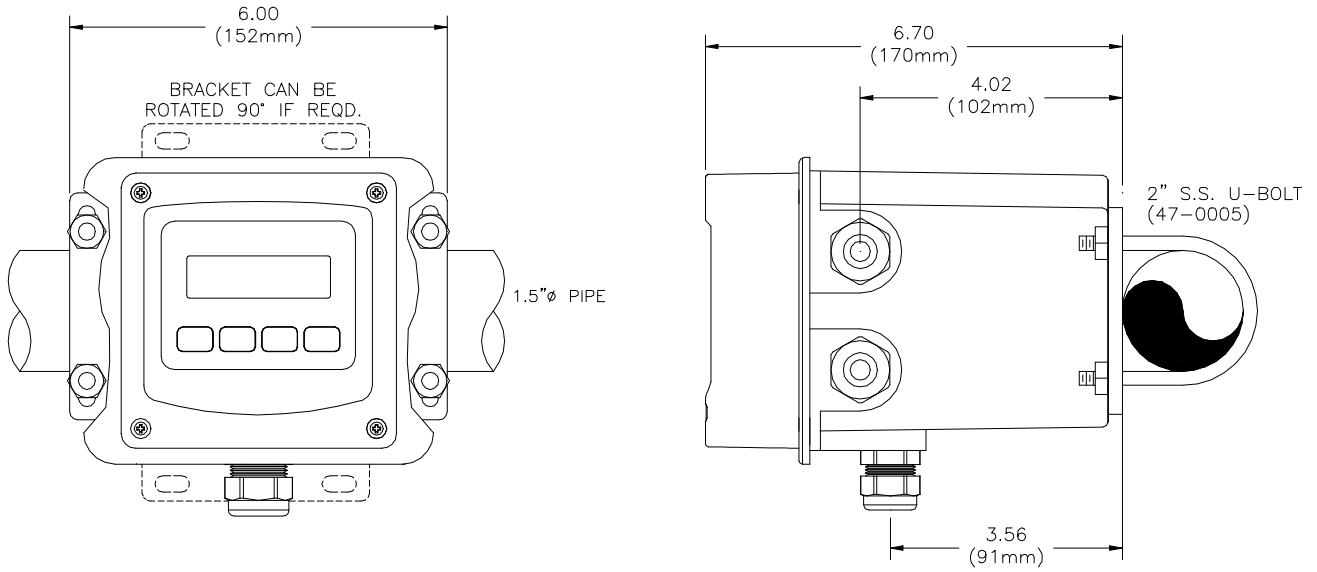
ATI-0926

**JUNCTION BOX**



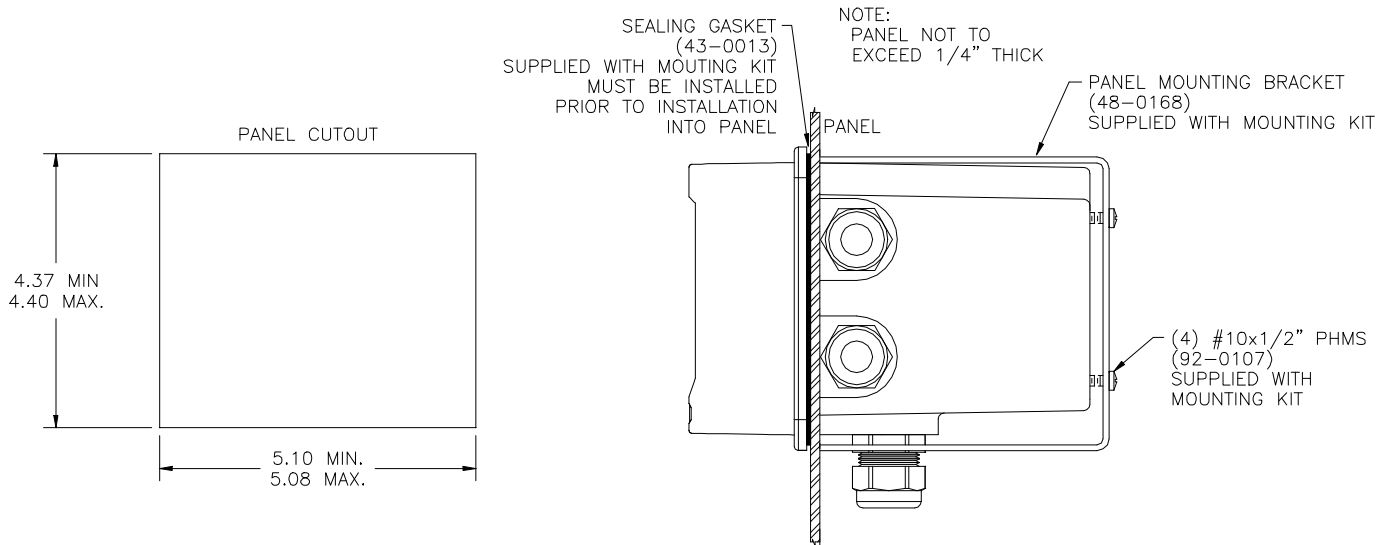
ATI-0655

**PIPE MOUNTING**



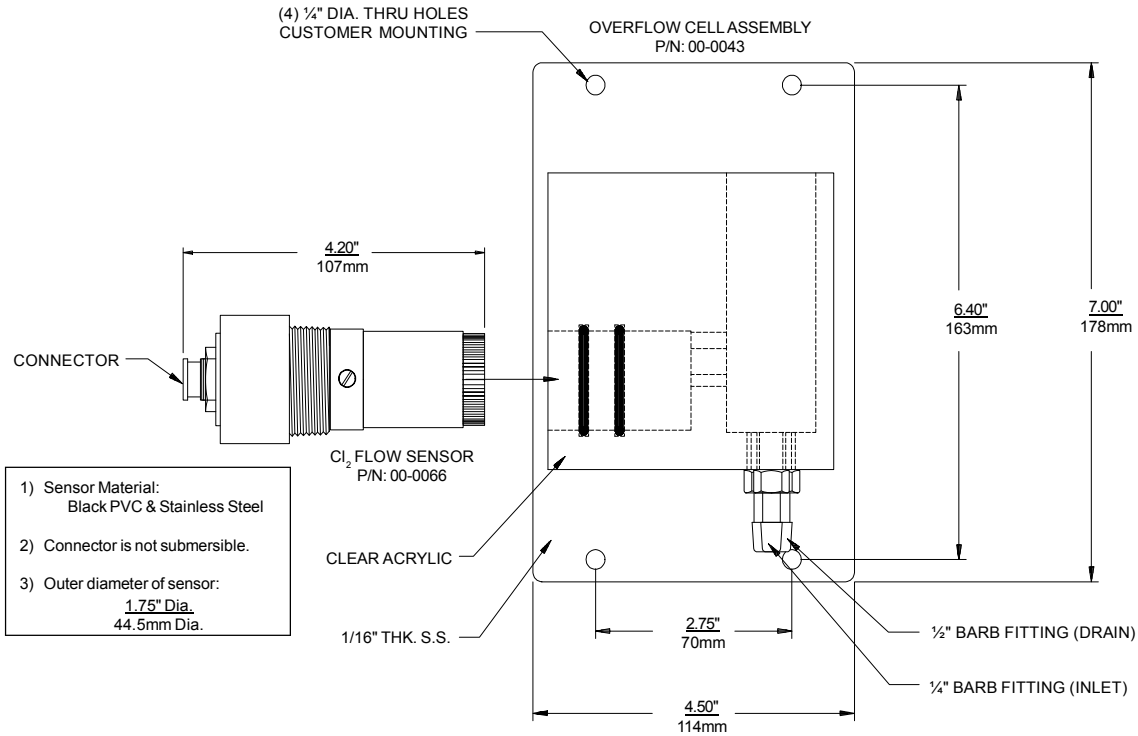
ATI-0927

**PANEL MOUNTING DIAGRAM**



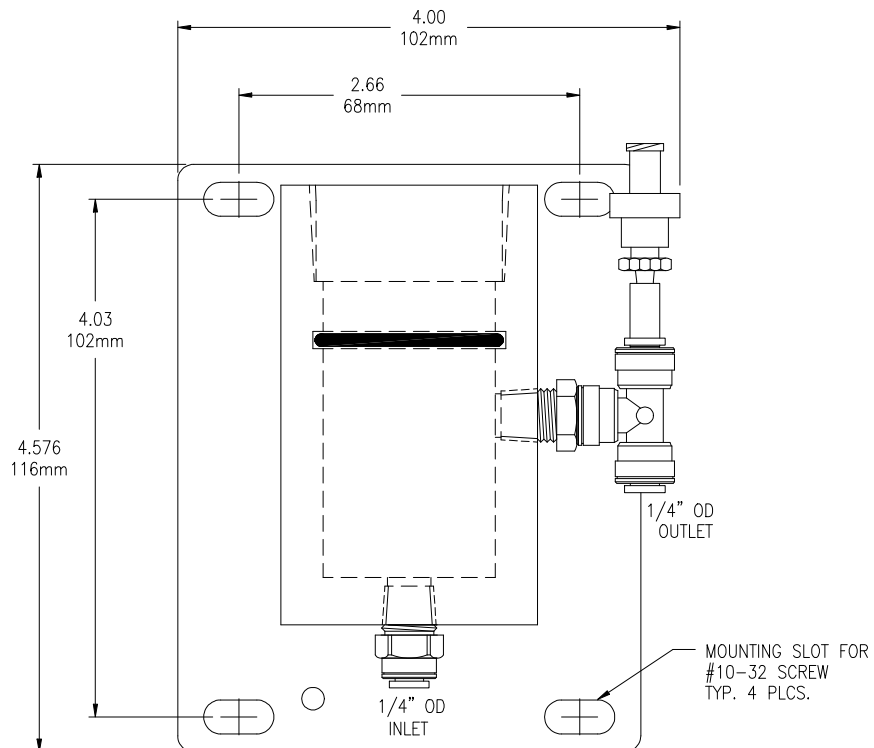
ATI-0928

**FLOW SENSOR DIMENSIONS & OVERFLOW CELL INSTALLATION**



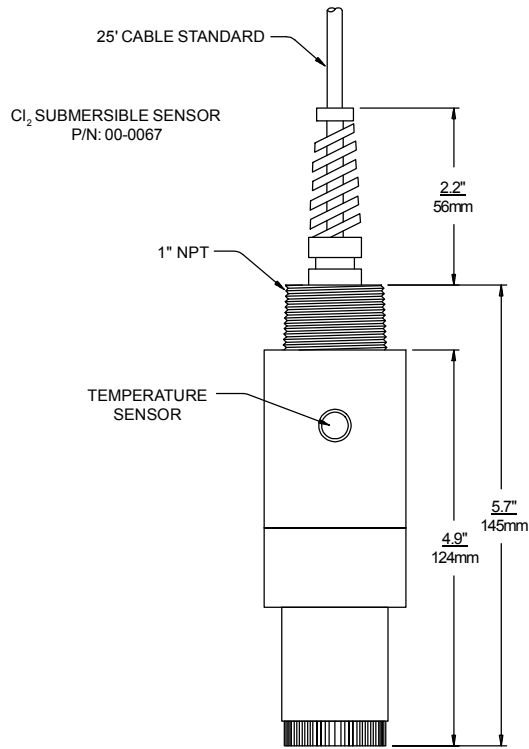
ATI-0196

**SEALED FLOWCELL ASSEMBLY DIMENSIONS (00-1522)**



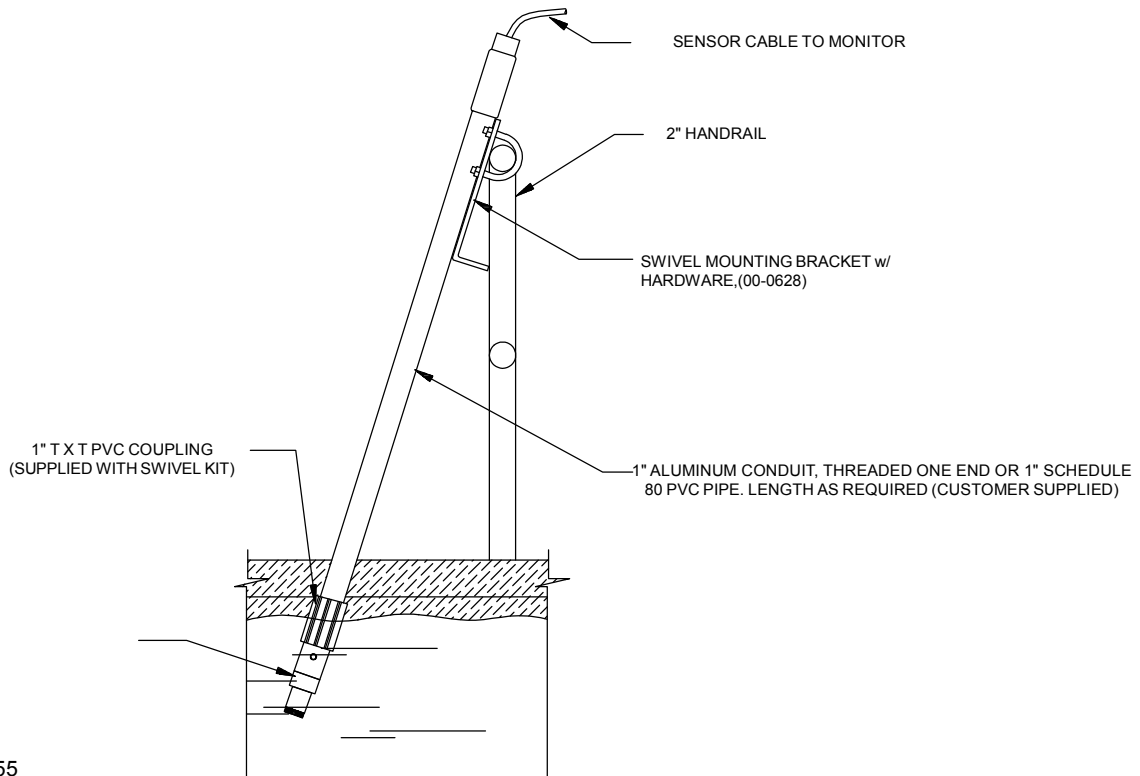
Material: Acrylic  
Mounting Plate: PVC

**SUBMERSIBLE SENSOR DIMENSIONS**



ATI-004

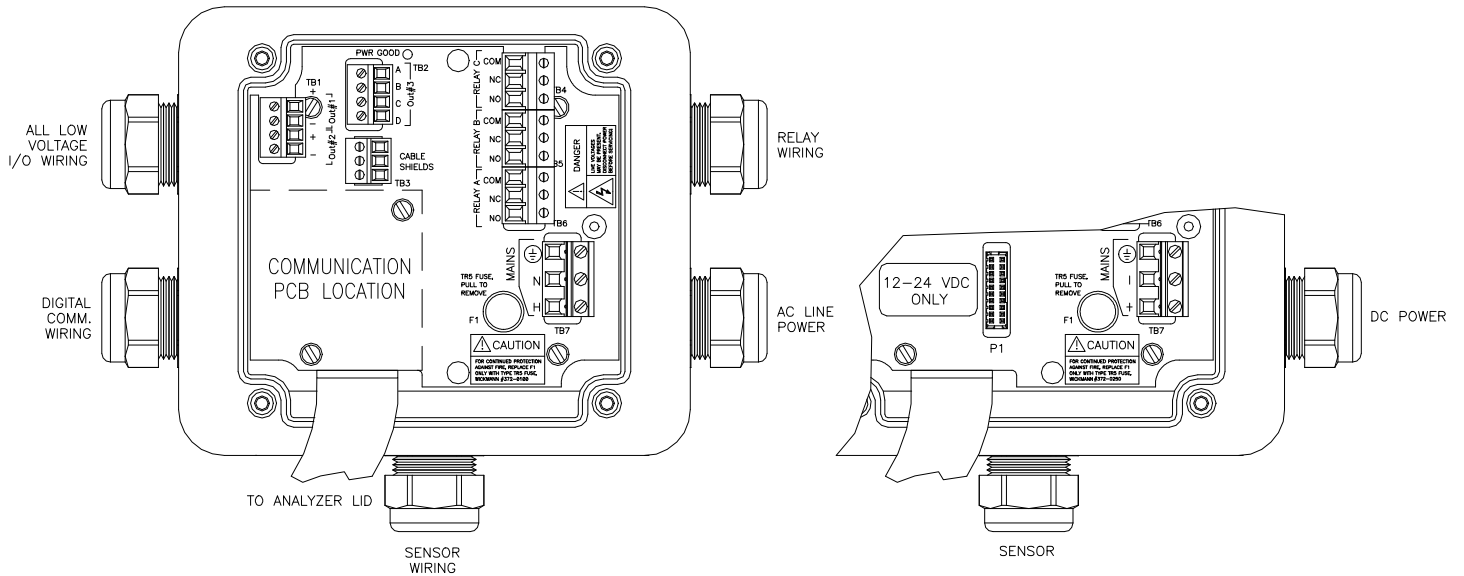
**SUBMERSIBLE SENSOR INSTALLATION**



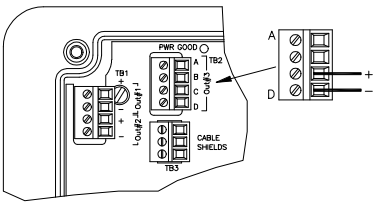
ATI-0155

**POWER, RELAY, AND OUTPUT CONNECTIONS**

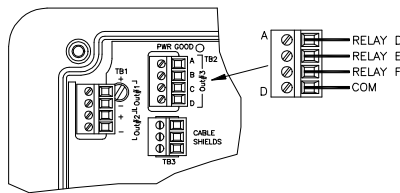
ATI-0930,  
0932, 0933, 0989



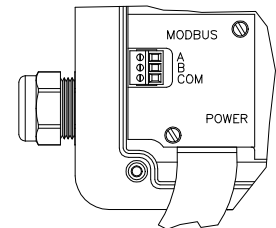
Optional Analog Output Wiring



Optional Relay Board Wiring (30V Max.)

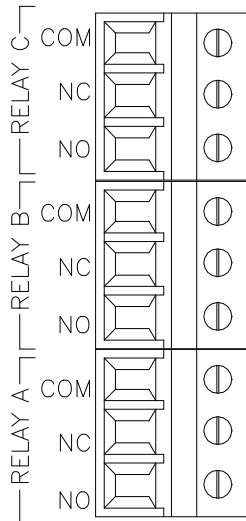


MODBUS Communication

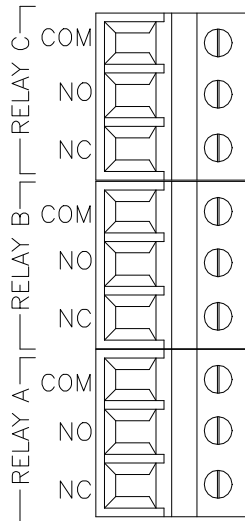


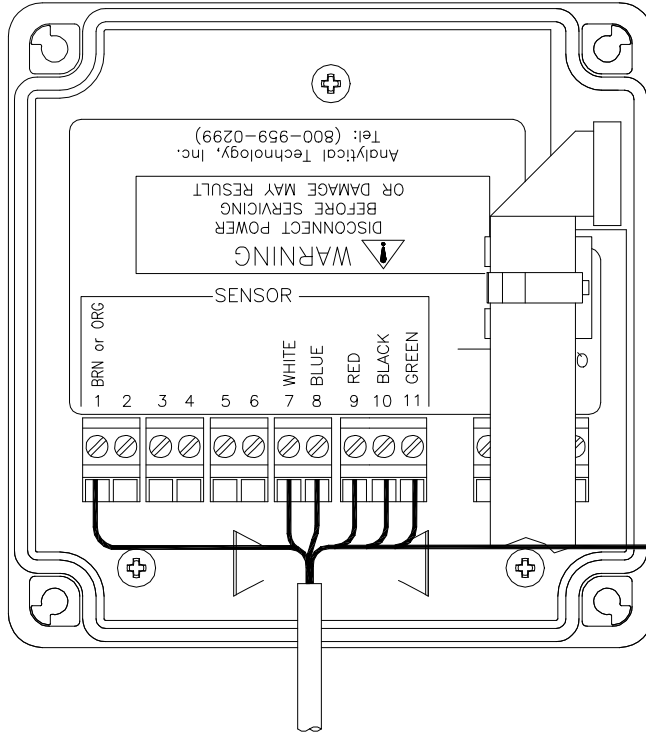
**RELAY WIRING TB4,5,6 DETAIL**

FACTORY DEFAULT (NORMAL MODE)



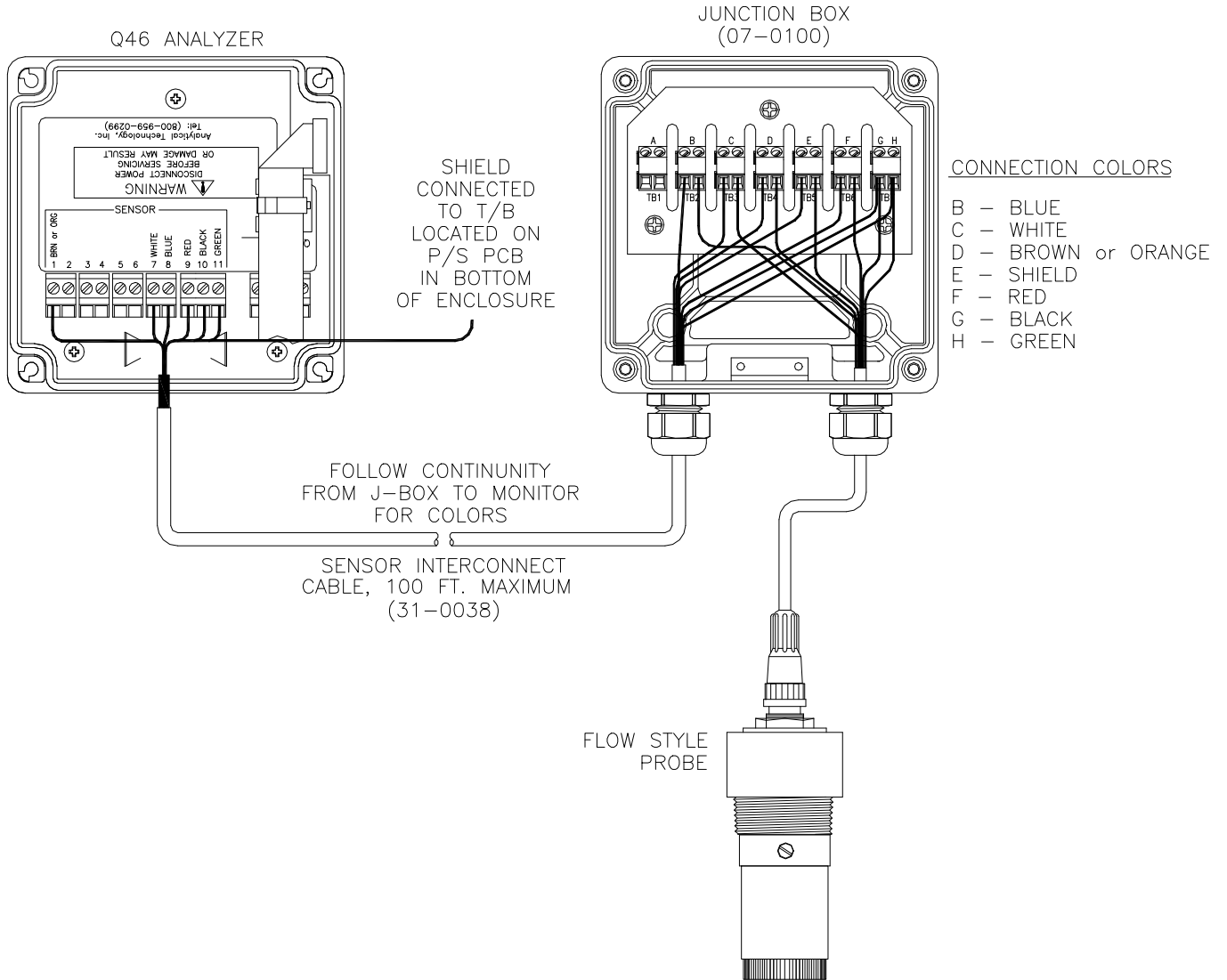
(FAILSAFE MODE)



**ELECTRICAL CONNECTIONS**

\*CONNECT SHIELD TO T/B LABELED "CABLE SHIELDS" LOCATED ON P/S PCB INSIDE OF ENCLOSURE

**SENSOR CONNECTIONS - REMOTE JUNCTION BOX**



ATI-1017