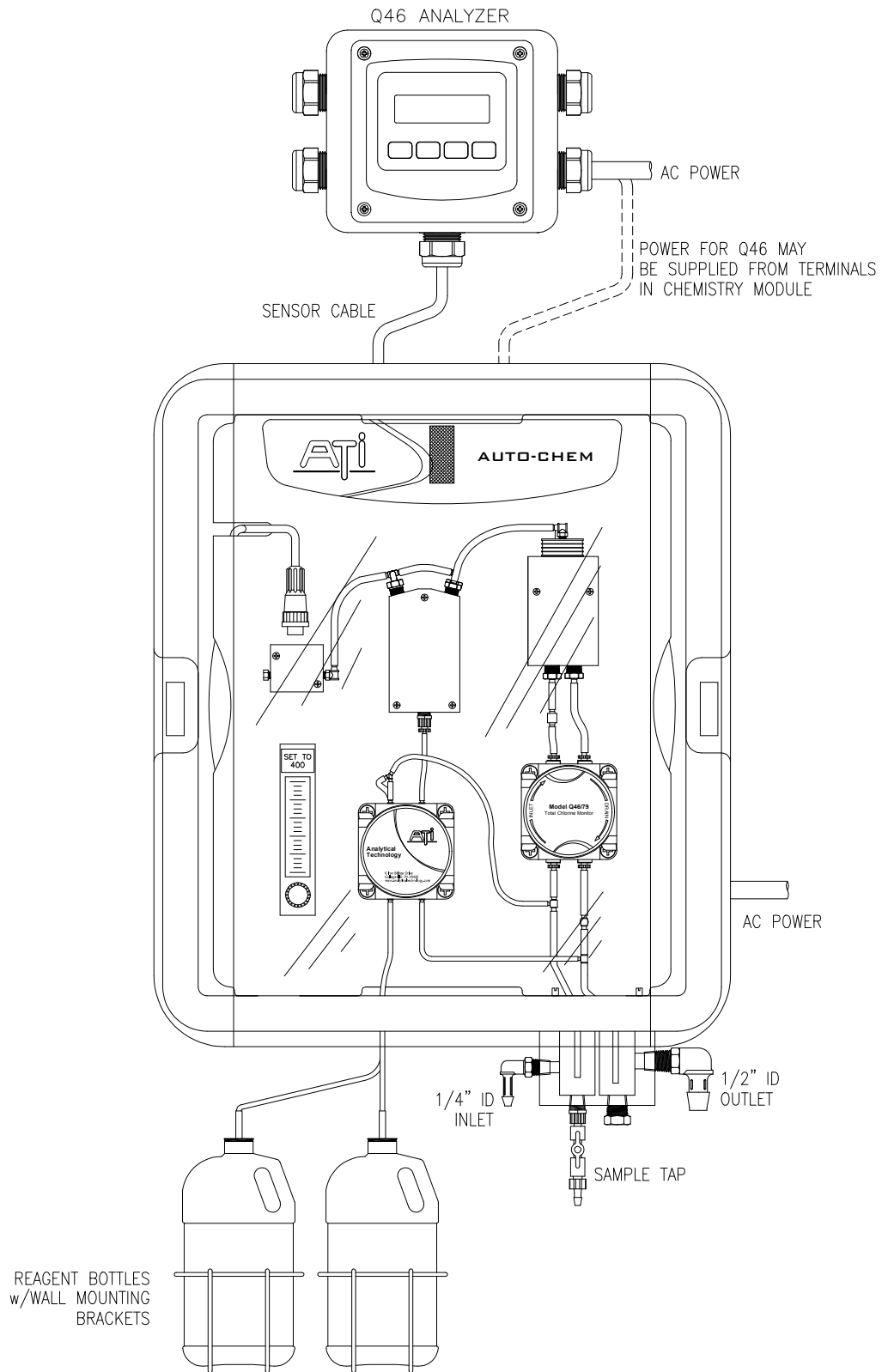
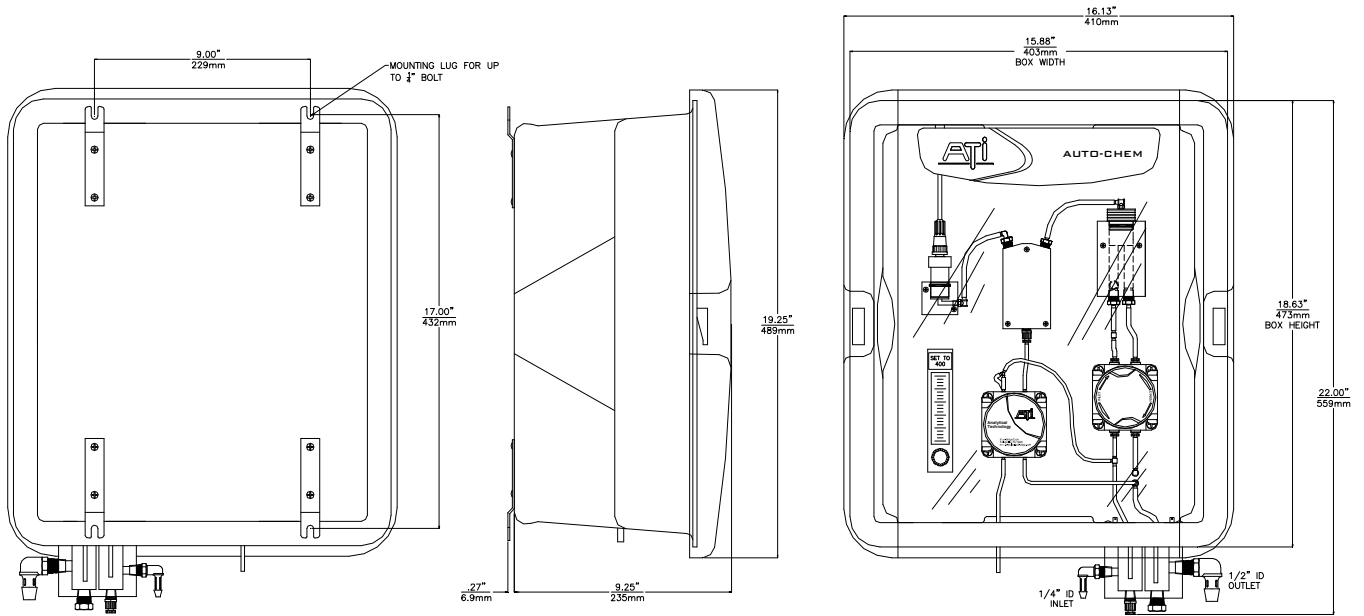


TYPICAL SYSTEM DIAGRAM



ATI-1014

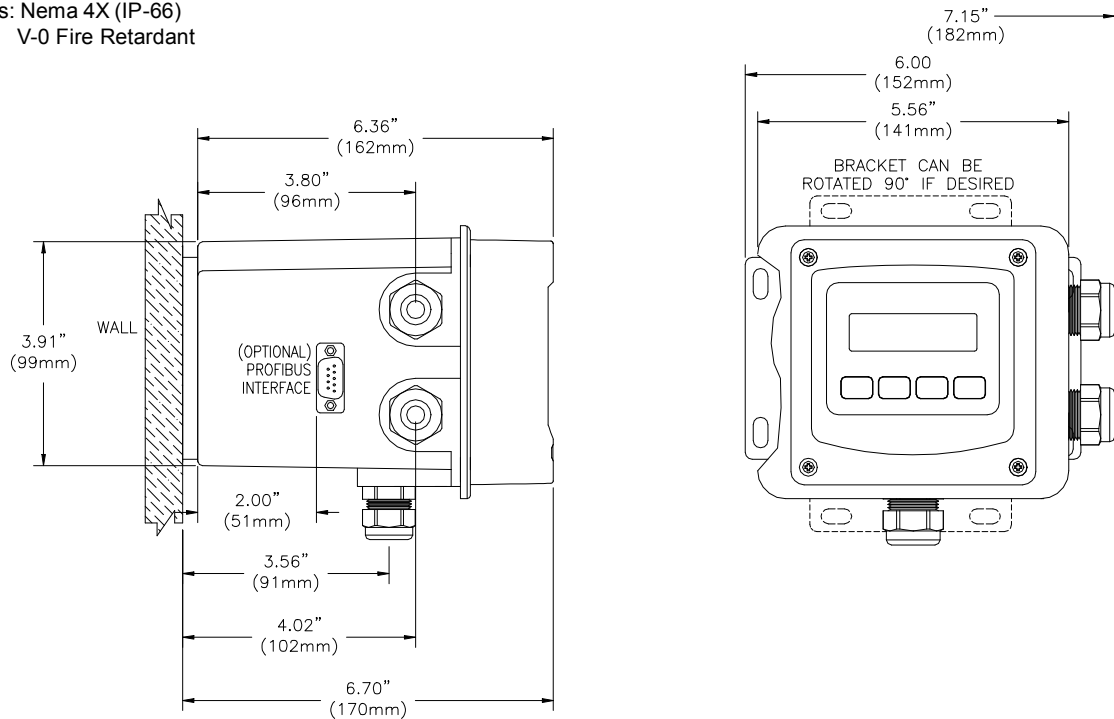
CHEMISTRY MODULE DIMENSIONAL



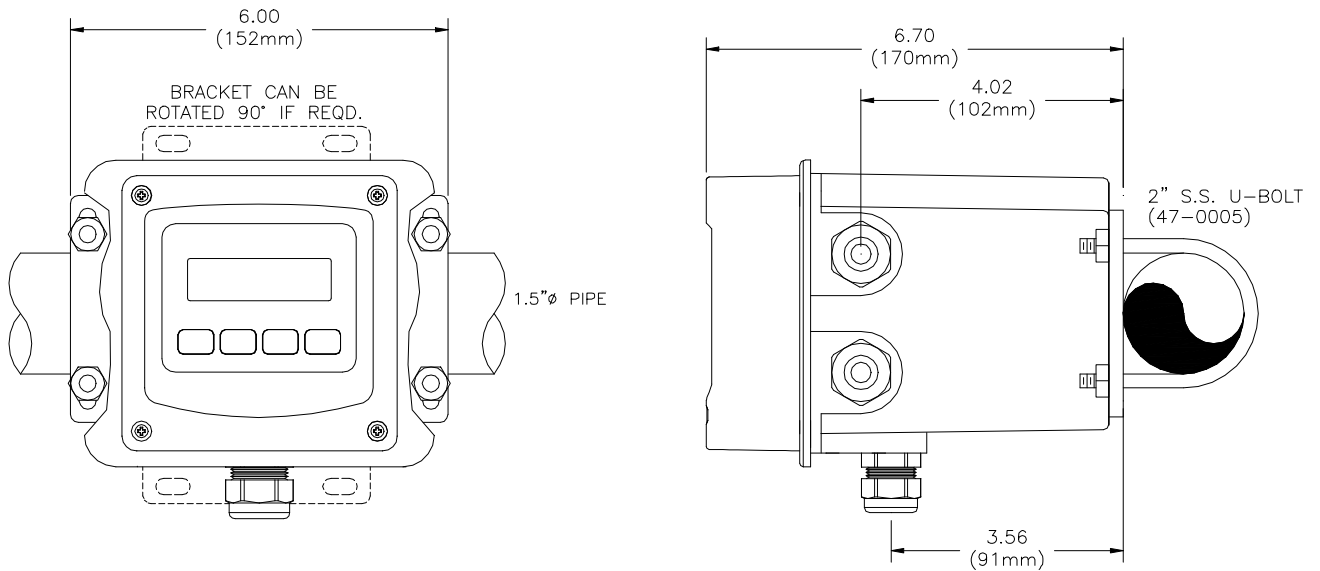
ATI-1029

ANALYZER DIMENSIONS (WALL MOUNT SHOWN)

Material: Polycarbonate
 Ratings: Nema 4X (IP-66)
 V-0 Fire Retardant

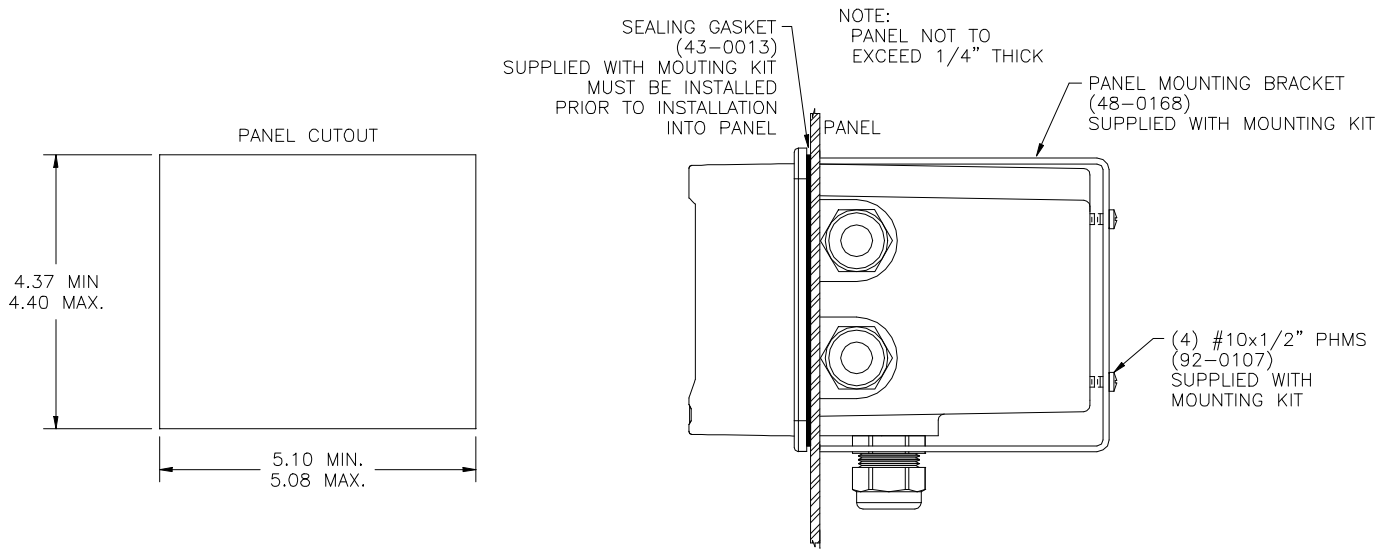


PIPE MOUNTING



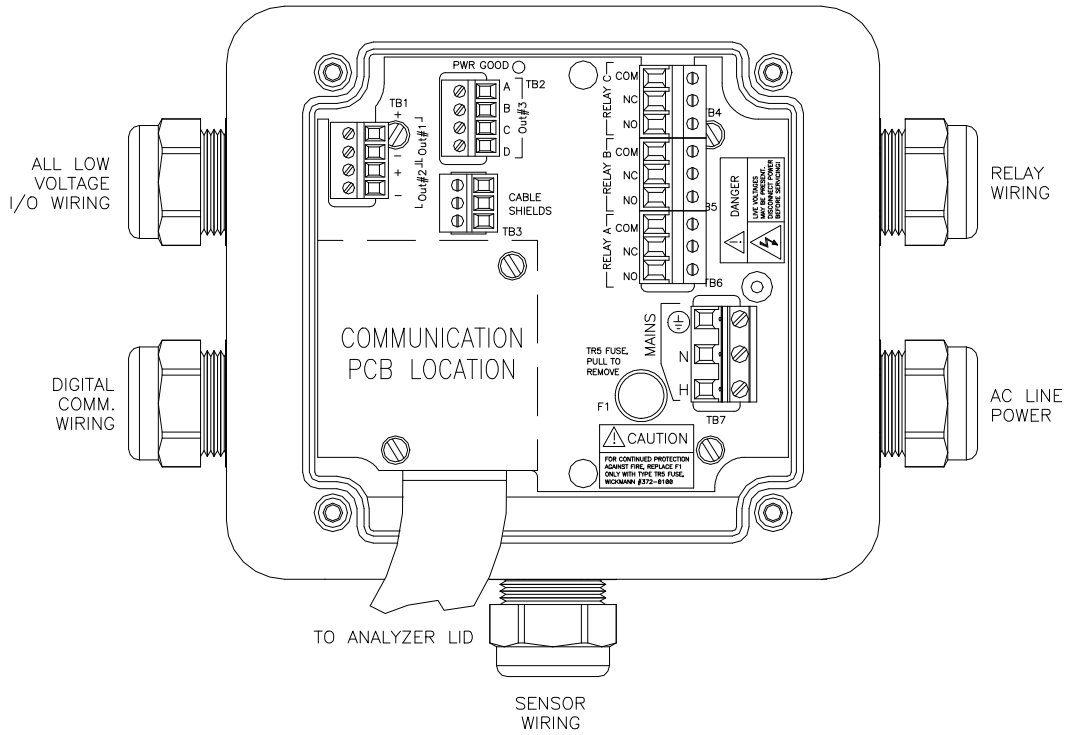
ATI-0927

PANEL MOUNTING



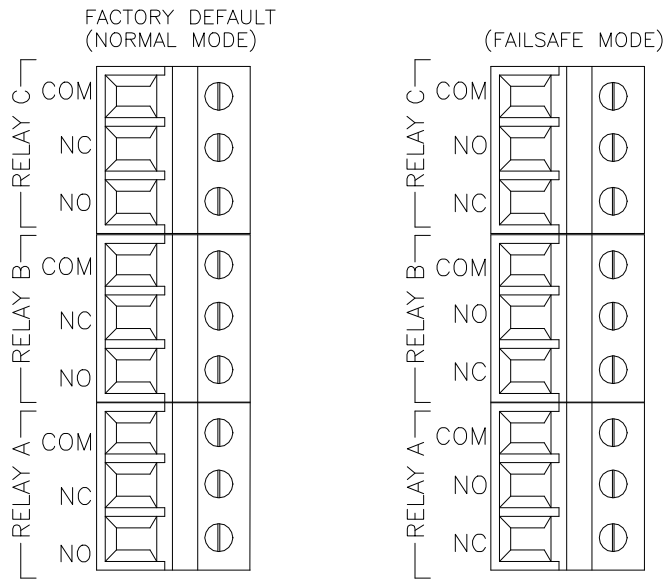
ATI-0928

POWER AND RELAY CONNECTIONS



ATI-0930

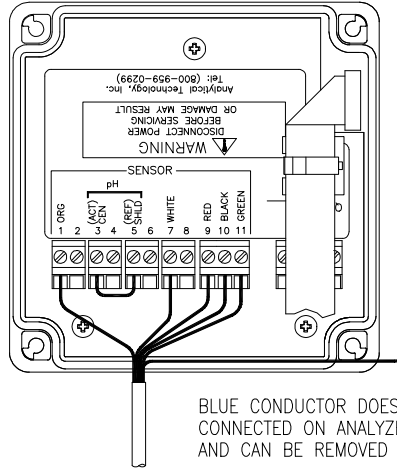
RELAY WIRING TB4,5,6 DETAIL



ATI-0931

CUSTOMER CONNECTIONS

Q46 ANALYZER



CONNECT SHIELD TO T/B LABELED "CABLE SHIELDS" LOCATED ON P/S PCB INSIDE OF ENCLOSURE

BLUE CONDUCTOR DOES NOT GET CONNECTED ON ANALYZER END AND CAN BE REMOVED

