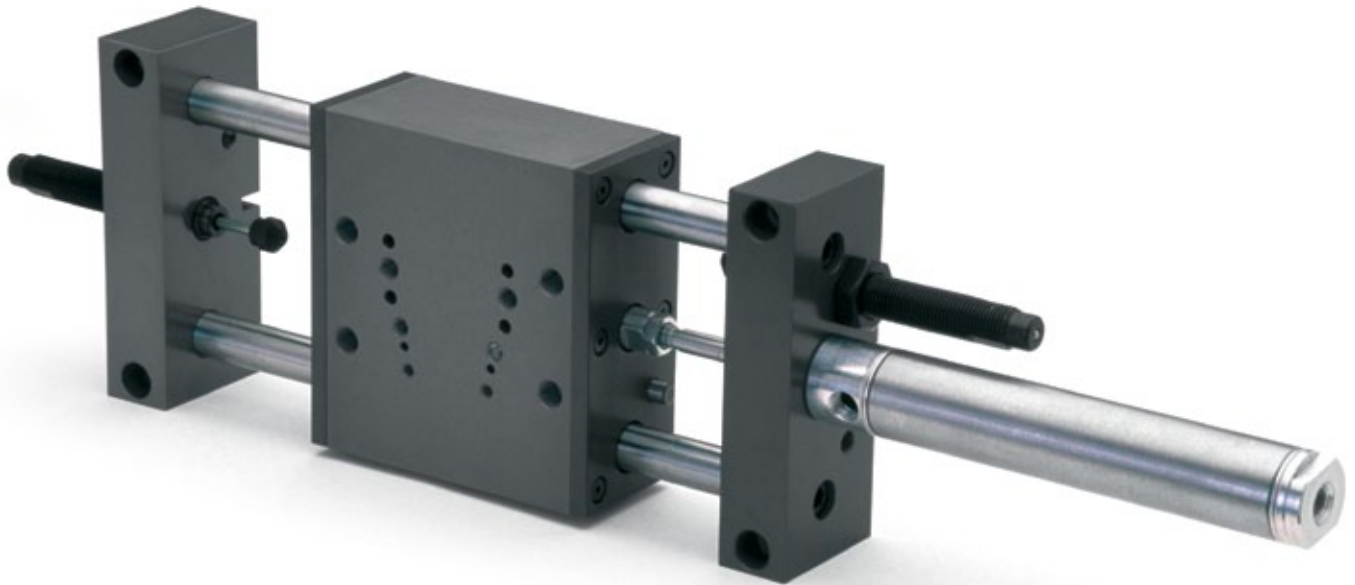


NUMATICS®

GS Series

Gantry Slide



www.numatics.com

GS Series Gantry Slides

Features and Benefits	3
How to Order	4
Dimensions	5
Technical Specification	6
Cylinder Orientation	7
Shock Absorbers	7
NuMate Mounting System	8
Multi-Position How to Order	9
Multi-Position Dimensions	10
Sensing Part Numbers	11-13
Quick Disconnect Cables and Switch Information	14

Designed to handle heavier loads and travel greater distances.

The design centers around a moving carriage between two fixed tool bars. The carriage is supported and guided by four bearings and two hardened guide shafts.

A. Carriage:

Hardcoat Anodized Aluminum..... lightweight, high durability.
NuMate™ Direct Mounting Pattern is a patented mounting system eliminating the need for adaptor/transition plates.
 Slide, gantries and grippers mount directly to the GS gantry.

B. Air Cylinder:

Standard Stainless Steel Body and Rodcorrosion resistant.
 Standard Magnetic Pistonsensing options Reed, Hall, Prox sensors, able to be added in field.

C. Alignment Coupler:

360 Degrees of Float isolates cylinder, eliminates destructive side load, maximizes life.

D. Tool Bars:

Standard Dowel Locating Hole and Slot.....accurate mounting and positioning.
 Standard Tapped Holes for Shock Absorbers..... accepts industry standard shocks.

E. Guide Shafts: (Two Choices)

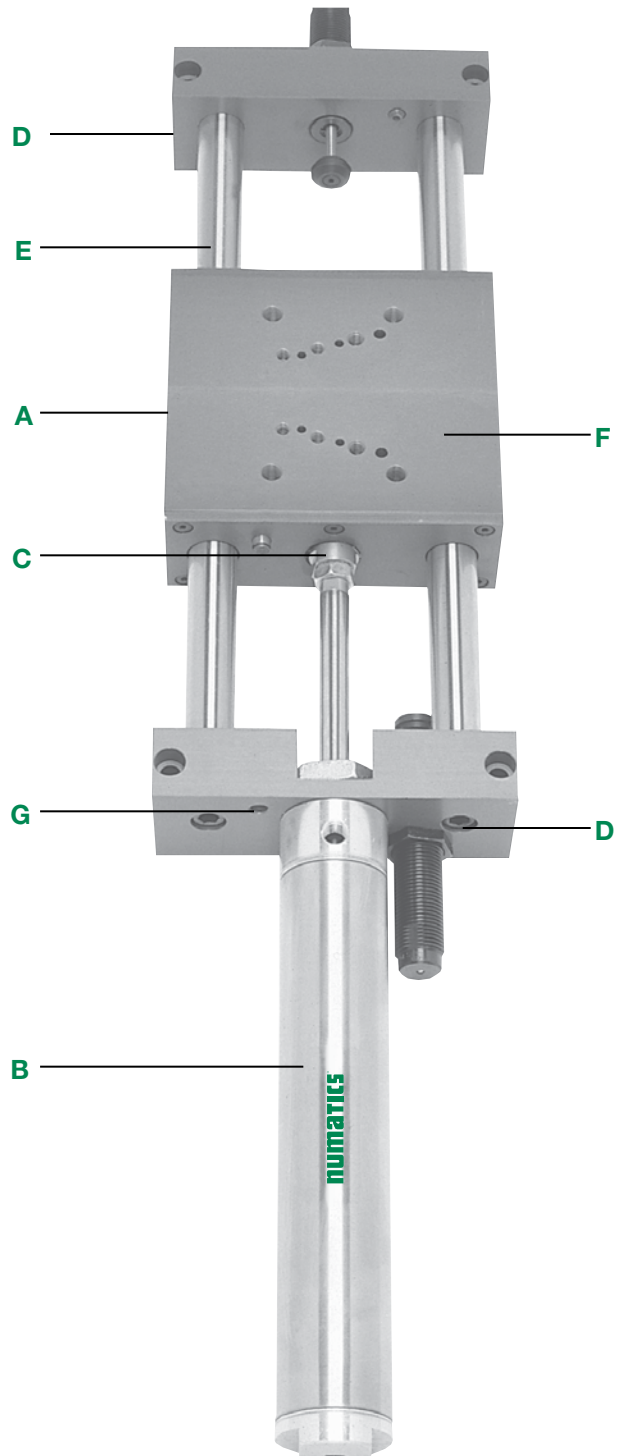
Hardened Steel.....hardness Rc 60-65, long life.
 Hardened Stainless Steelhardness Rc 50-55, corrosion resistant.
 Precision Ground and Polished 15u RMS.....smooth cycling, low breakaway.
 Large Diameter increased load capacity.
 Pilot Mounted to Tool Bar.....maximum rigidity, increased strength.

F. Bearings: (Two Choices)

Four Linear Ball Bearingsgreatest load capacity, self-lubricating, built-in seals and wipers, self-aligning.
 Four Frelon® Compounded PTFE..... self-lubricating, self-aligning, long service life, ideal for cleanroom.

G. Stroke Adjustment Screws:

Standard Extend and Retract..... fine adjustment for carriage travel.



Frelon® is a registered trademark of Pacific Bearing Co.

How to Order

GS 075 03 LB 1 H 3 C R 4

Bore Sizes

- 075 = 3/4 Inch
- 106 = 1-1/16 Inches
- 150 = 1-1/2 Inches
- 200 = 2 Inches

Standard Stroke

- | | | |
|----------|----------|----------|
| 01 = 1" | 13 = 13" | 24 = 24" |
| 02 = 2" | 14 = 14" | 25 = 25" |
| 03 = 3" | 15 = 15" | 26 = 26" |
| 04 = 4" | 16 = 16" | 27 = 27" |
| 05 = 5" | 17 = 17" | 28 = 28" |
| 06 = 6" | 18 = 18" | 29 = 29" |
| 07 = 7" | 19 = 19" | 30 = 30" |
| 08 = 8" | 20 = 20" | 31 = 31" |
| 09 = 9" | 21 = 21" | 32 = 32" |
| 10 = 10" | 22 = 22" | 33 = 33" |
| 11 = 11" | 23 = 23" | 34 = 34" |
| 12 = 12" | | |

Bearing Option

- LB = Linear Ball
- TB = PTFE

Cylinder Type

- 1 = Buna-N Seals
- 2 = FKM Seals (no magnet)
- 3 = Buna-N Seals w/Cushions
- 4 = FKM Seals with Magnet

Guide Shaft Material

- H = Hardened Steel
- S = Stainless Steel (includes all stainless hardware)

Shock Absorbers

- 1 = Extend
- 2 = Retract
- 3 = Extend and Retract
- 4 = No Shocks

Cylinder Orientation

- R = Extend Stroke
- L = Retract Stroke

Sensing Position

- A = Single Position Extend
- B = Single Position Retract
- C = Two Position Sensing
- D = No Sensing

Sensing Type

- Standard Cord Set
- 1 = Hall Effect - PNP (sourcing)
- 2 = Hall Effect - NPN (sinking)
- 3 = Reed Switch
- 6 = No Sensing
- 7* = 8 mm Prox Ready
- Quick Disconnect Cord Set
- Z = Hall Effect - PNP (sourcing)
- Y = Hall Effect - NPN (sinking)
- X = Reed Switch
- See Sensor section
- *Does not include switch.

Example order:

Part Number: GS07503LB1H3CR4*

Part Description: 3/4 inch bore by 3 inch stroke with linear ball bearings, standard seals, hardened steel guide shafts, reed 2 position sensing, cylinder to right, no shocks.

For Multi-Position Gantry ordering see page 9.

*When entering an order, DO NOT use spaces or dashes.

When Ordering Additional Sensors and Shocks

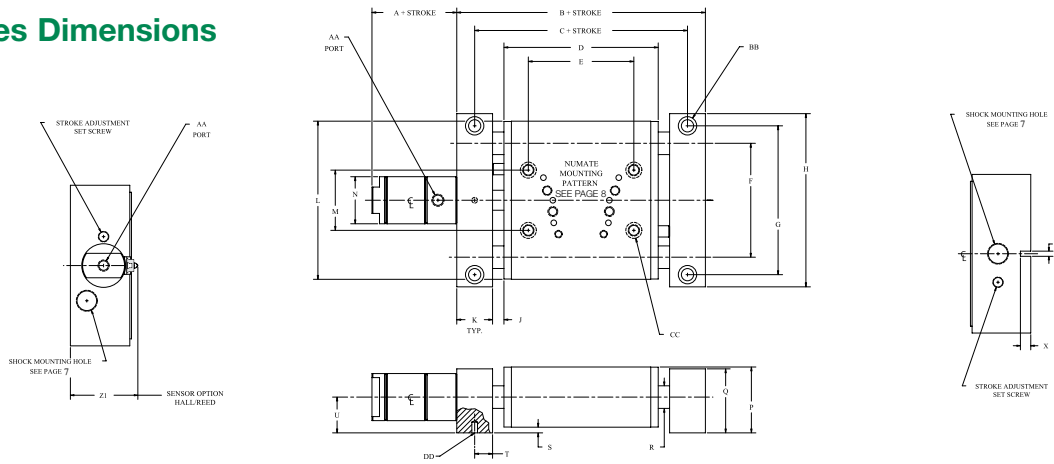
Switch Description	Standard Part No.	Quick Disconnect Part No.
Hall Effect - PNP (Sourcing)	PNP-FL2-00-U	PNP-QDS-M8-U
Hall Effect - NPN (Sinking)	NPN-FL2-00-U	NPN-QDS-M8-U
Reed Switch	REED-FL2-00	REED-QDS-M8U
90° 5 meter cable	-	PXC 90
Straight 5 meter cable	-	PXC ST

Slide Series	Shock Absorber
GS075	SK075
GS106	SK106
GS150	SK150
GS200	SK200

*Bands and tracks required for mounting.
Reference bracket in the Switch Application Chart in the Sensor section.

Dimensions: Inches (mm)

GS Series Dimensions



	GS075		GS106		GS150		GS200	
A	2.47	(62.7)	2.62	(66.5)	2.81	(71.4)	3.50	(88.9)
B	5.78	(146.8)	6.90	(175.3)	8.25	(209.6)	9.91	(251.7)
C	5.15	(130.8)	5.90	(149.9)	7.06	(179.3)	8.41	(213.6)
D	4.28	(108.7)	4.40	(111.8)	5.12	(130.0)	6.40	(162.6)
E	3.00	(76.2)	3.25	(82.6)	3.50	(88.9)	4.00	(101.6)
F	2.75	(69.8)	3.25	(82.6)	3.78	(96.0)	4.81	(122.2)
G	3.70	(94.0)	4.31	(109.5)	4.94	(125.5)	6.28	(159.5)
H	4.25	(108.0)	4.95	(125.7)	5.75	(146.1)	7.00	(177.8)
J	0.13	(3.3)	0.25	(6.4)	0.38	(9.7)	0.25	(6.4)
K	0.63	(16.0)	1.00	(25.4)	1.19	(30.2)	1.50	(38.1)
L	4.00	(101.6)	4.63	(117.6)	5.25	(133.4)	6.80	(172.7)
M	1.40	(35.6)	1.50	(38.1)	2.00	(50.8)	2.50	(63.5)
N	0.88	(22.4)	1.13	(28.7)	1.56	(39.6)	2.07	(52.6)
P	1.62	(41.1)	2.12	(53.8)	2.19	(55.6)	2.75	(69.8)
Q	1.50	(38.1)	2.00	(50.8)	2.13	(54.1)	2.56	(65.0)
R	0.50	(12.7)	0.63	(16.0)	0.75	(19.1)	1.00	(25.4)
S	0.38	(9.7)	0.13	(3.3)	0.19	(4.8)	0.25	(6.4)
T	0.311/0.313	(7.90/7.95)	0.499/0.501	(12.67/12.72)	0.593/0.595	(15.06/15.11)	0.749/0.751	(19.02/19.08)
U	1.00	(25.4)	1.13	(28.7)	1.19	(30.2)	1.50	(38.1)
W	0.1870/0.1880	(4.75/4.78)	0.1870/0.1880	(4.75/4.78)	0.1870/0.1880	(4.75/4.78)	0.2500/0.2510	(6.35/6.38)
X	0.30	(7.6)	0.30	(7.6)	0.30	(7.6)	0.40	(10.2)
AA	1/8 NPTF		1/8 NPTF		1/8 NPTF		1/4 NPTF	
BB	C'bored for 1/4 SHCS, Tapped 5/16-24 x 0.62 DP From Opposite Side.		C'bore for 5/16 SHCS Tapped 3/8-24 x 0.59 DP From Opposite Side.		C'bore for 5/16 SHCS, Tapped 3/8-24 x 0.59 DP From Opposite Side.		C'bore for 3/8 SHCS, Tapped 7/16-20 x 0.88 DP From Opposite Side.	
CC	Tapped 5/16-24 x .62 DP, C'bored for 1/4 SHCS, From Opposite Side.		Tapped 3/8-24 x 0.59 DP, C'bore for 5/16 SHCS From Opposite Side.		Tapped 3/8-24 x 0.59 DP, C'bore for 5/16 SHCS, From Opposite Side.		Tapped 7/16-20 x 0.88 DP, C'bore for 3/8 SHCS, From Opposite Side.	
DD	0.1870/0.1880	(4.75/4.78)	0.1870/0.1880	(4.75/4.78)	0.1870/0.1880	(4.75/4.78)	0.2500/0.2510	(6.35/6.38)
Z1	1.91	(49.0)	2.16	(55.0)	2.44	(62.0)	3.01	(76.0)

Unit Weight Table

	GS075	GS106	GS150	GS200
Base Unit Weight (lbs.)	3.81	6.46	9.18	16.75
Adder/inch of stroke (lbs.)	0.15	0.22	0.34	0.59

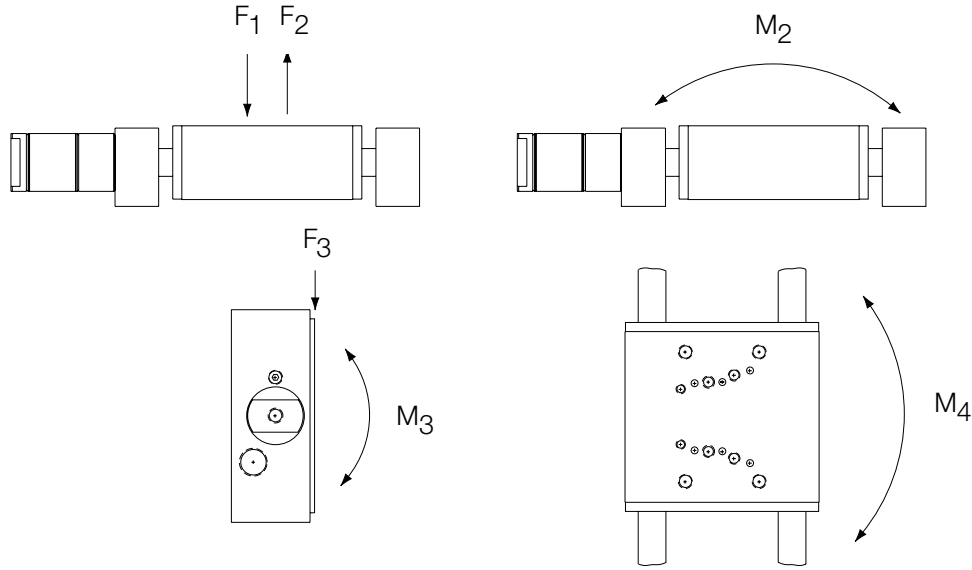
Add base weight to inch adder X stroke. Sample weight calculation: Model GS075 W/6" stroke, 3.81 + (0.15 x 6) = 4.71 lbs.

Unit Output Force Table

	GS075	GS106	GS150	GS200
Extend Force (lbs.)	0.44	0.88	1.76	3.14
Retract Force (lbs.)	0.39	0.81	1.61	2.83

Multiply force factor X input pressure in PSI. Sample output force calculation: Model GS150 extend force@ 70PSI, 1.76 x 70 = 123.2 lbs.

Technical Specifications

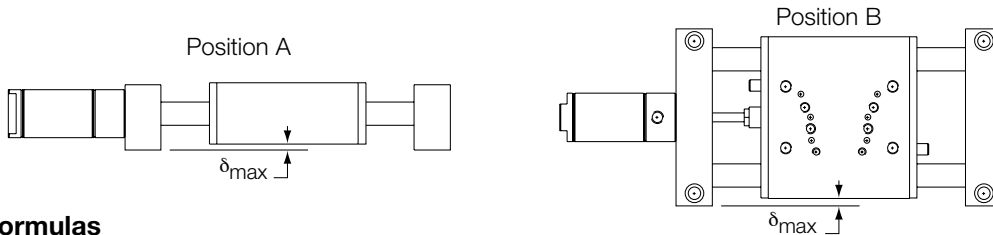


Linear Ball Bearing Dynamic Loads

Slide Series	F ₁ /F ₂ /F ₃		M ₂		M ₃		M ₄	
GS075	90 lb.	(40.8) kg.	110 in. lb.	(12.4) N.m.	222 in. lb.	(25.1) N.m.	222 in. lb.	(25.1) N.m.
GS106	160 lb.	(72.6) kg.	178 in. lb.	(20.1) N.m.	455 in. lb.	(51.4) N.m.	455 in. lb.	(51.4) N.m.
GS150	275 lb.	(124.7) kg.	262 in. lb.	(29.6) N.m.	790 in. lb.	(89.3) N.m.	790 in. lb.	(89.3) N.m.
GS200	520 lb.	(235.9) kg.	435 in. lb.	(49.1) N.m.	1657 in. lb.	(187.2) N.m.	1657 in. lb.	(187.2) N.m.

PTFE Dynamic Loads

Slide Series	F ₁ /F ₂ /F ₃		M ₂		M ₃		M ₄	
GS075	63 lb.	(28.6) kg.	77 in. lb.	(8.7) N.m.	155 in. lb.	(17.5) N.m.	155 in. lb.	(17.5) N.m.
GS106	112 lb.	(50.8) kg.	124 in. lb.	(14.0) N.m.	318 in. lb.	(35.9) N.m.	318 in. lb.	(35.9) N.m.
GS150	193 lb.	(87.5) kg.	183 in. lb.	(20.7) N.m.	553 in. lb.	(62.5) N.m.	553 in. lb.	(62.5) N.m.
GS200	364 lb.	(165.1) kg.	304 in. lb.	(34.3) N.m.	1159 in. lb.	(130.9) N.m.	1159 in. lb.	(130.9) N.m.



Deflection Formulas

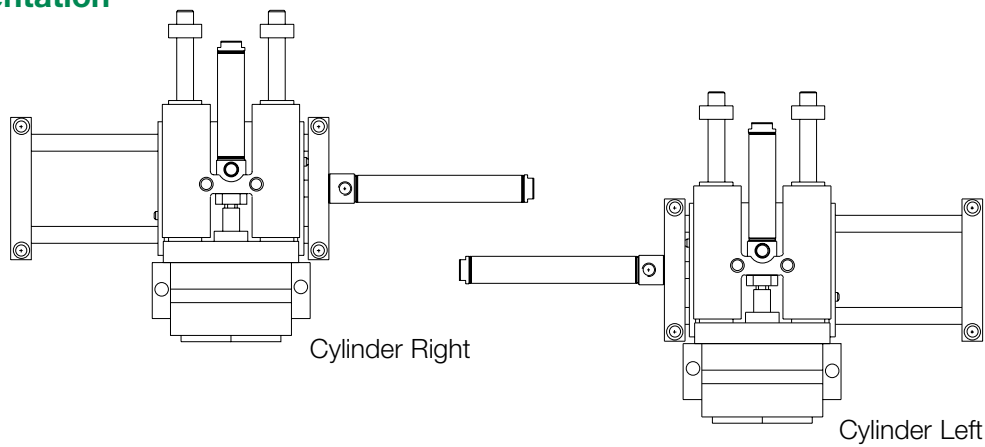
Slide Series	Position A	Position B
GS075	$\delta_{max} = (\text{LOAD}) \left(\left(\frac{\text{STROKE}}{2} \right) - 1.325 \right)^3 \left(2 + \frac{15.9}{\text{STROKE} - 2.65} \right) 1.1331 \times 10^{-7}$	$\delta_{max} = (\text{LOAD}) \left(\left(\frac{\text{STROKE}}{2} \right) - 1.325 \right)^3 \left(2 + \frac{15.9}{\text{STROKE} - 2.65} \right) 7.9317 \times 10^{-8}$
GS106	$\delta_{max} = (\text{LOAD}) \left(\left(\frac{\text{STROKE}}{2} \right) - 1.200 \right)^3 \left(2 + \frac{19.5}{\text{STROKE} - 2.40} \right) 4.6491 \times 10^{-8}$	$\delta_{max} = (\text{LOAD}) \left(\left(\frac{\text{STROKE}}{2} \right) - 1.200 \right)^3 \left(2 + \frac{19.5}{\text{STROKE} - 2.40} \right) 3.2544 \times 10^{-8}$
GS150	$\delta_{max} = (\text{LOAD}) \left(\left(\frac{\text{STROKE}}{2} \right) - 1.500 \right)^3 \left(2 + \frac{18.0}{\text{STROKE} - 3.00} \right) 2.2515 \times 10^{-8}$	$\delta_{max} = (\text{LOAD}) \left(\left(\frac{\text{STROKE}}{2} \right) - 1.500 \right)^3 \left(2 + \frac{18.0}{\text{STROKE} - 3.00} \right) 1.5761 \times 10^{-8}$
GS200	$\delta_{max} = (\text{LOAD}) \left(\left(\frac{\text{STROKE}}{2} \right) - 1.828 \right)^3 \left(2 + \frac{21.9}{\text{STROKE} - 3.66} \right) 7.1055 \times 10^{-9}$	$\delta_{max} = (\text{LOAD}) \left(\left(\frac{\text{STROKE}}{2} \right) - 1.828 \right)^3 \left(2 + \frac{21.9}{\text{STROKE} - 3.66} \right) 4.9739 \times 10^{-9}$

LOAD and STROKE values input by customer.

Sample Deflection Calculation: GS10605 with 110# load in Position A

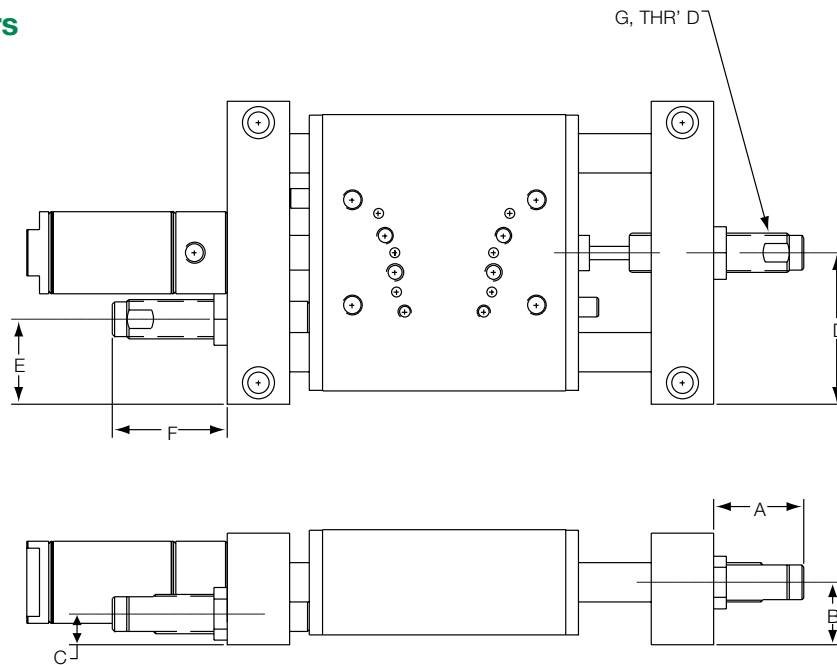
$$\delta_{max} = (110) \left(\left(\frac{5}{2} \right) - 1.200 \right)^3 \left(2 + \frac{19.5}{5-2.40} \right) 4.6491 \times 10^{-8} : \delta_{max} = (110) (1.300)^3 (2+7.5) 4.6491 \times 10^{-8} = 0.00011 \text{ inch at mid travel}$$

Cylinder Orientation



Dimensions: Inches (mm)

Shock Absorbers



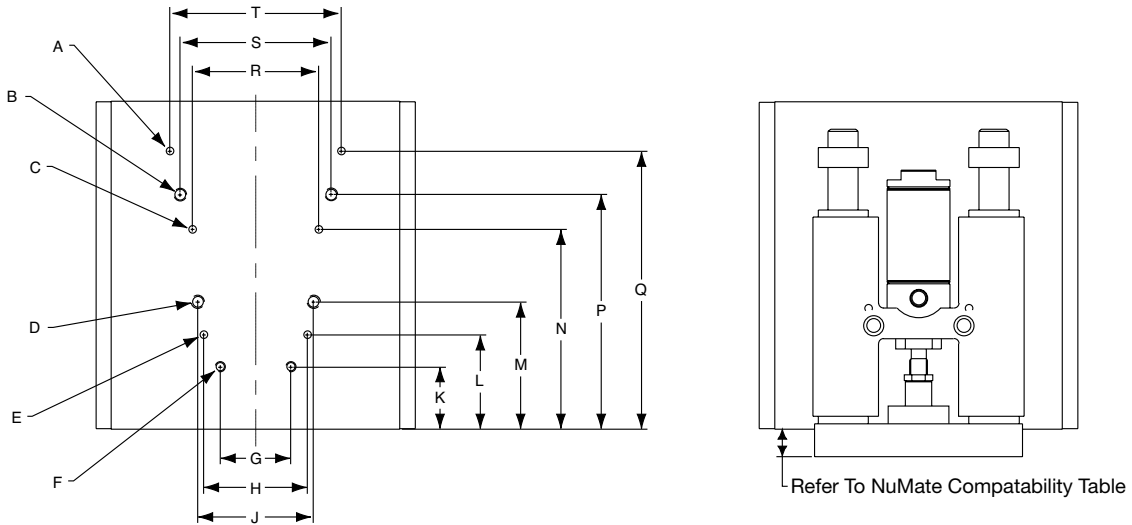
	GS075		GS106		GS150		GS200	
A	2.78	(70.6)	2.21	(56.1)	1.72	(43.7)	2.34	(59.4)
B	1.00	(25.4)	1.13	(28.7)	1.19	(30.2)	1.50	(38.1)
C	0.61	(15.5)	0.63	(16.0)	0.59	(15.0)	0.74	(18.8)
D	2.13	(54.1)	2.48	(63.0)	2.88	(73.2)	3.50	(88.9)
E	1.20	(30.5)	1.48	(37.6)	1.62	(41.1)	1.85	(47.0)
F	3.12	(79.2)	2.62	(66.5)	2.19	(55.6)	2.87	(72.9)
G	9/16 - 18		9/16 - 18		3/4 - 16		1 - 12	

Shock Absorbers

	GS075	GS106	GS150	GS200
Part No.	SK075	SK106	SK150	SK200

Dimensions: Inches (mm)

NuMate Mounting System



NuMate™ Pattern Dimensional Data

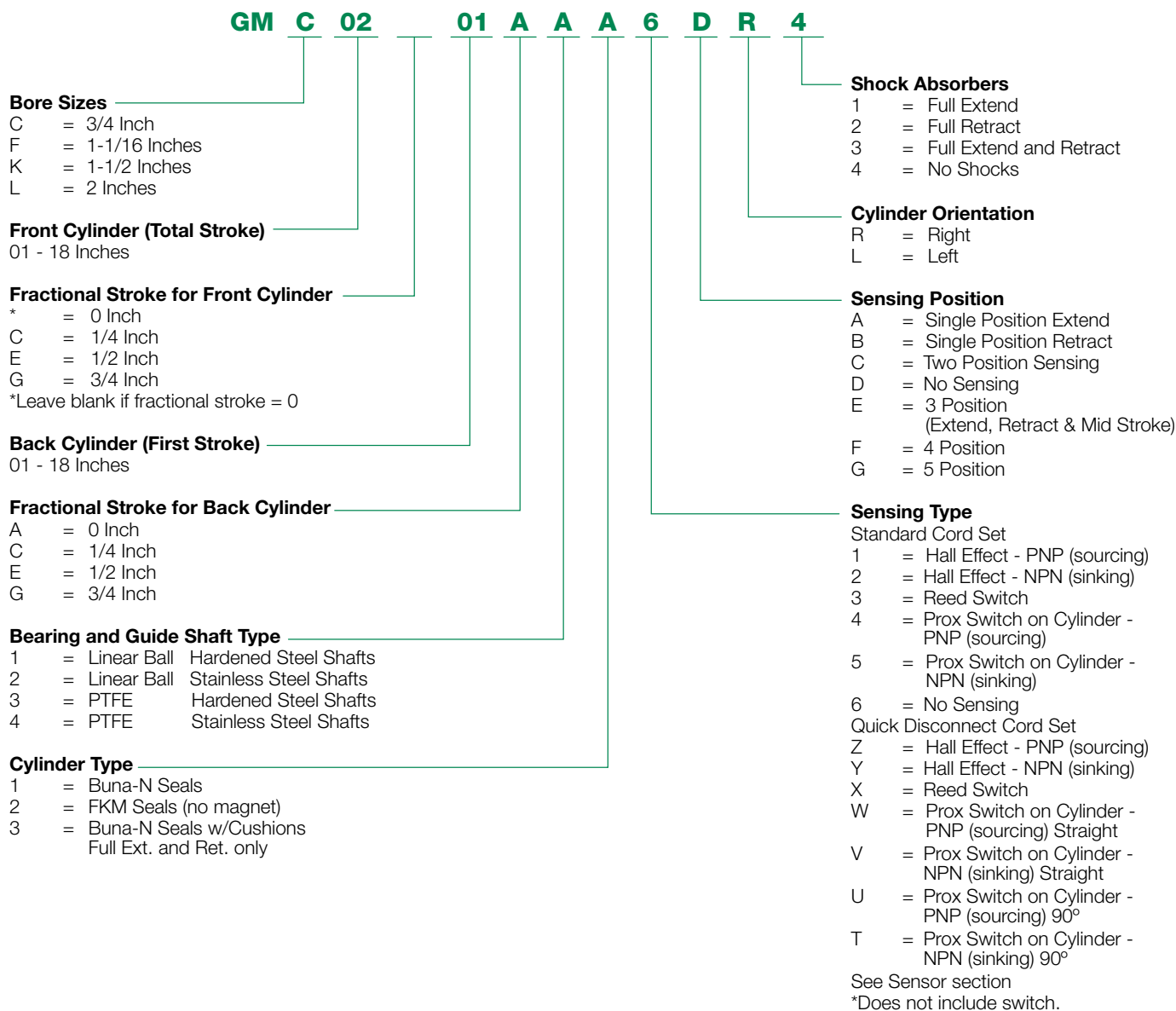
	GS075		GS106		GS150		GS200	
A	0.187/0.188 x 0.37 DP		0.187/0.188 x 0.37 DP		0.187/0.188 x 0.37 DP		0.250/0.251 x 0.50 DP	
B	1/4-20 x 0.37 DP		5/16-18 x 0.50 DP		5/16-18 x 0.50 DP		3/8-16 x 0.60 DP	
C	0.125/0.126 x 0.25 DP		0.187/0.188 x 0.37 DP		0.187/0.188 x 0.37 DP		0.187/0.188 x 0.37 DP	
D	#10-32 x 0.33 DP		1/4-20 x 0.37 DP		5/16-18 x 0.50 DP		5/16-18 x 0.50 DP	
E	.0937/.0947 x 0.18 DP		0.125/0.126 x 0.25 DP		0.187/0.188 x 0.37 DP		0.187/0.188 x 0.37 DP	
F	#6-32 x 0.22 DP		#10-32 x 0.33 DP		1/4-20 x 0.37 DP		5/16-18 x 0.50 DP	
G	1.00	(25.4)	1.25	(31.8)	1.50	(38.1)	1.87	(47.5)
H	1.00	(25.4)	1.38	(35.1)	1.81	(46.0)	1.87	(47.5)
J	1.25	(31.8)	1.50	(38.1)	1.87	(47.5)	2.25	(57.2)
K	1.12	(28.4)	1.38	(35.1)	1.50	(38.1)	2.38	(60.5)
L	1.33	(33.8)	1.69	(42.9)	1.87	(47.5)	2.76	(70.1)
M	1.52	(38.6)	1.94	(49.3)	2.25	(57.2)	3.08	(78.2)
N	1.83	(46.5)	2.31	(58.7)	2.63	(66.8)	3.52	(89.4)
P	2.13	(54.1)	2.69	(68.3)	2.95	(74.9)	3.87	(98.3)
Q	2.50	(63.5)	3.06	(77.7)	3.38	(85.9)	4.37	(111.0)
R	1.38	(35.1)	1.81	(46.0)	1.87	(47.5)	2.50	(63.5)
S	1.50	(38.1)	1.87	(47.5)	2.25	(57.2)	2.75	(69.8)
T	1.81	(46.0)	1.87	(47.5)	2.50	(63.5)	3.00	(76.2)

NuMate™ Compatibility Table & Edge Reference

	GS075		GS106		GS150		GS200	
SH031	0.15	(3.8)	-	-	-	-	-	-
SH056	0.36	(9.1)	0.50	(12.7)	-	-	-	-
SH075	0.21	(5.3)	0.40	(10.2)	0.84	(21.3)	-	-
SH106	-	-	0.22	(5.6)	0.65	(16.5)	0.52	(13.2)
SH150	-	-	-	-	0.30	(7.6)	0.16	(4.1)
SH200	-	-	-	-	-	-	0.13	(3.3)
LC056	-0.28	(-7.1)	-0.14	(-3.6)	-	-	-	-
LC075	-0.54	(-13.7)	-0.35	(-8.9)	0.09	(2.3)	-	-
LC106	-	-	-0.85	(-21.6)	-0.41	(-10.4)	-0.54	(-13.7)
LC150	-	-	-	-	-0.89	(-22.6)	-1.02	(-25.9)
B04	0.09	(2.3)	0.24	(6.1)	-	-	-	-
B06	0.26	(6.6)	0.40	(10.2)	-	-	-	-
B08	0.84	(21.3)	0.99	(25.2)	-	-	-	-

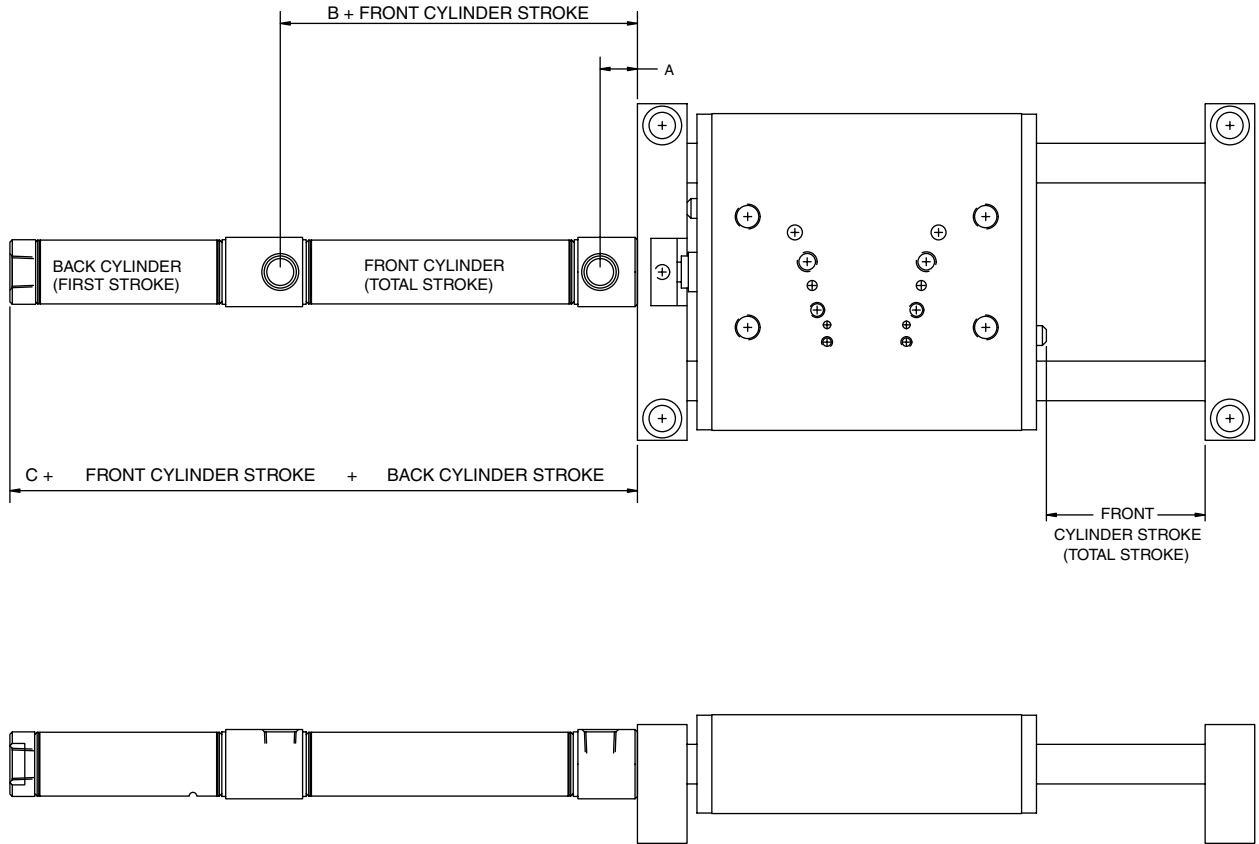
How to Order

3 Position Gantry Slide



Dimensions: Inches (mm)

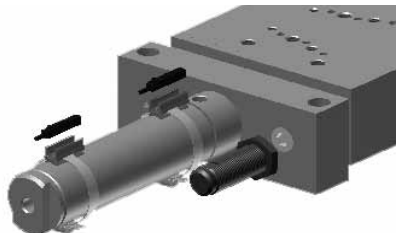
3 Position Gantry Slide



GS Series	A	B	C
GS075	0.47	2.50	4.91
GS106	0.56	2.59	5.16
GS150	0.63	2.75	5.56
GS200	0.74	3.45	6.93

GS Series Gantry Sensor and Switch Information

Bore	Bracket P/N
GS075	N199-1055
GS106	N199-1056
GS150	N199-1057
GS200	N199-1058

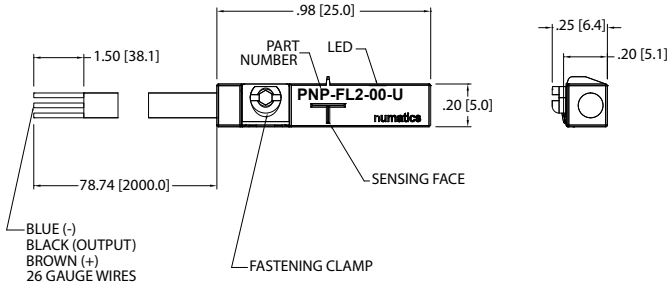


Sensor Description	Standard Cord Set	Quick Disconnect
Reed Switch	REED-FL2-00	REED-QDS-M8U
Hall PNP	PNP-FL2-00-U	PNP-QDS-M8-U
Hall NPN	NPN-FL2-00-U	NPN-QDS-M8-U

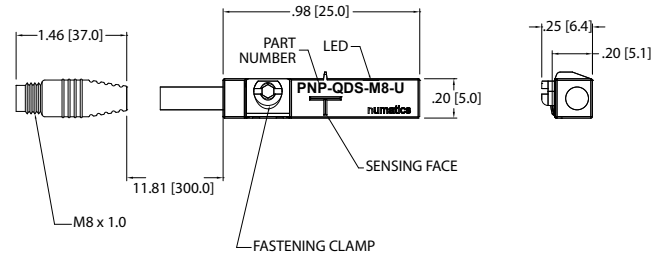
See page 11, 12, & 13 for sensor specifications

Sensing Part Numbers

PNP-FL2-00-U



PNP-QDS-M8-U

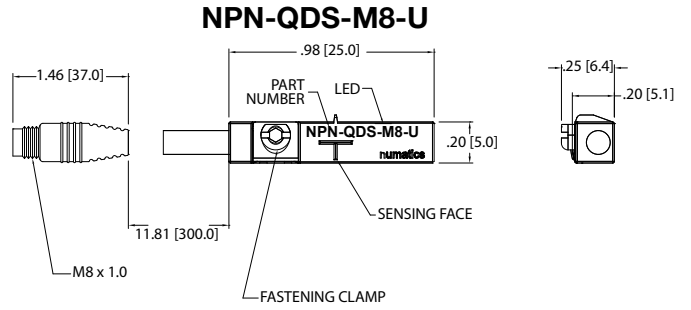
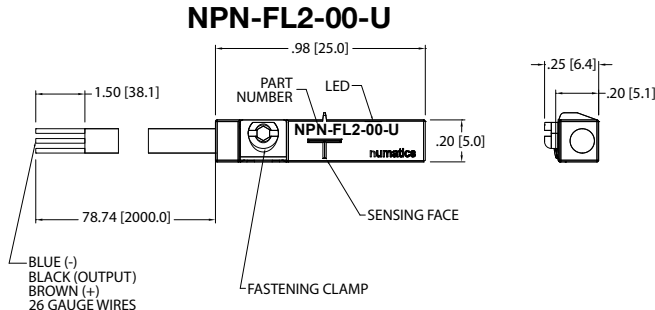


ELECTRICAL DESIGN	DC PNP
OUTPUT	Normally Open
OPERATING VOLTAGE	10-30 VDC
CURRENT RATING	100 mA
SHORT-CIRCUIT PROTECTION	Yes
OVERLOAD PROTECTION	Yes
REVERSE POLARITY PROTECTION	Yes
VOLTAGE DROP	< 2.5 V
CURRENT CONSUMPTION	< 12 mA
REPEATABILITY	< .2mm
POWER-ON DELAY TIME	< 30 ms
SWITCH FREQUENCY	> 3000 Hz
AMBIENT TEMPERATURE	-25°C to 85°C
PROTECTION	IP 67, III
HYSTERESIS	1.0mm
MAGNETIC SENSITIVITY	2.0 mT
TRAVEL SPEED	> 10 m/s
HOUSING MATERIAL	PA (Polyamide) Black; Fastening Clamp: Stainless Steel
FUNCTION DISPLAY SWITCHING STATUS	Yellow LED
CONNECTION	Flying Leads, Pur Cable (2m Long, 3 x26 Gauge Wire)
REMARKS	Clamping Screw with Combined Slot/Hexagon Socket Head AF 1.5 cULus - Class 2 Source Required
ACCESSORIES	Rubber Placeholder, Cable Clip, and Cut Sheet To Be Provided with Every Switch
AGENCY APPROVALS	

ELECTRICAL DESIGN	DC PNP
OUTPUT	Normally Open
OPERATING VOLTAGE	10-30 VDC
CURRENT RATING	100 mA
SHORT-CIRCUIT PROTECTION	Yes
OVERLOAD PROTECTION	Yes
REVERSE POLARITY PROTECTION	Yes
VOLTAGE DROP	< 2.5 V
CURRENT CONSUMPTION	< 12 mA
REPEATABILITY	< .2mm
POWER-ON DELAY TIME	< 30 ms
SWITCH FREQUENCY	> 3000 Hz
AMBIENT TEMPERATURE	-25°C to 85°C
PROTECTION	IP 67, III
HYSTERESIS	1.0mm
MAGNETIC SENSITIVITY	2.0 mT
TRAVEL SPEED	> 10 m/s
HOUSING MATERIAL	PA (Polyamide) Black; Fastening Clamp: Stainless Steel
FUNCTION DISPLAY SWITCHING STATUS	Yellow LED
CONNECTION	M8 Connector (Snap Fit) , Pur Cable (.3 m)
REMARKS	Clamping Screw with Combined Slot/Hexagon Socket Head AF 1.5 cULus - Class 2 Source Required
ACCESSORIES	Rubber Placeholder, Cable Clip, and Cut Sheet To Be Provided with Every Switch
AGENCY APPROVALS	

*Switches are not designed for wet environments. Please see your distributor for additional information.

Sensing Part Numbers



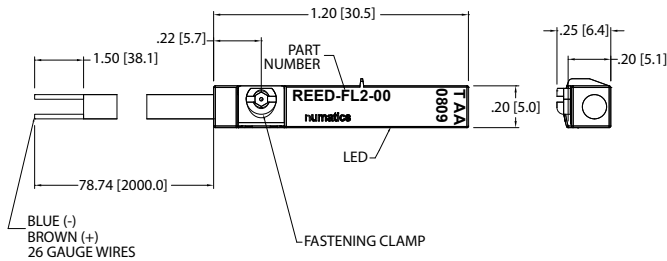
ELECTRICAL DESIGN	DC NPN
OUTPUT	Normally Open
OPERATING VOLTAGE	10-30 VDC
CURRENT RATING	100 mA
SHORT-CIRCUIT PROTECTION	Yes
OVERLOAD PROTECTION	Yes
REVERSE POLARITY PROTECTION	Yes
VOLTAGE DROP	< 2.5 V
CURRENT CONSUMPTION	< 12 mA
REPEATABILITY	< .2mm
POWER-ON DELAY TIME	< 30 ms
SWITCH FREQUENCY	> 3000 Hz
AMBIENT TEMPERATURE	-25°C to 85°C
PROTECTION	IP 67, III
HYSTERESIS	1.0mm
MAGNETIC SENSITIVITY	2.0 mT
TRAVEL SPEED	> 10 m/s
HOUSING MATERIAL	PA (Polyamide) Black; Fastening Clamp: Stainless Steel
FUNCTION DISPLAY SWITCHING STATUS	Yellow LED
CONNECTION	Flying Leads, Pur Cable (2m Long, 3 x26 Gauge Wire)
REMARKS	Clamping Screw with Combined Slot/Hexagon Socket Head AF 1.5 cULus - Class 2 Source Required
ACCESSORIES	Rubber Placeholder, Cable Clip, and Cut Sheet To Be Provided with Every Switch
AGENCY APPROVALS	CE cUL US RoHS

ELECTRICAL DESIGN	DC NPN
OUTPUT	Normally Open
OPERATING VOLTAGE	10-30 VDC
CURRENT RATING	100 mA
SHORT-CIRCUIT PROTECTION	Yes
OVERLOAD PROTECTION	Yes
REVERSE POLARITY PROTECTION	Yes
VOLTAGE DROP	< 2.5 V
CURRENT CONSUMPTION	< 12 mA
REPEATABILITY	< .2mm
POWER-ON DELAY TIME	< 30 ms
SWITCH FREQUENCY	> 3000 Hz
AMBIENT TEMPERATURE	-25°C to 85°C
PROTECTION	IP 67, III
HYSTERESIS	1.0mm
MAGNETIC SENSITIVITY	2.0 mT
TRAVEL SPEED	> 10 m/s
HOUSING MATERIAL	PA (Polyamide) Black; Fastening Clamp: Stainless Steel
FUNCTION DISPLAY SWITCHING STATUS	Yellow LED
CONNECTION	M8 Connector (Snap Fit) , Pur Cable (.3 m)
REMARKS	Clamping Screw with Combined Slot/Hexagon Socket Head AF 1.5 cULus - Class 2 Source Required
ACCESSORIES	Rubber Placeholder, Cable Clip, and Cut Sheet To Be Provided with Every Switch
AGENCY APPROVALS	CE cUL US RoHS

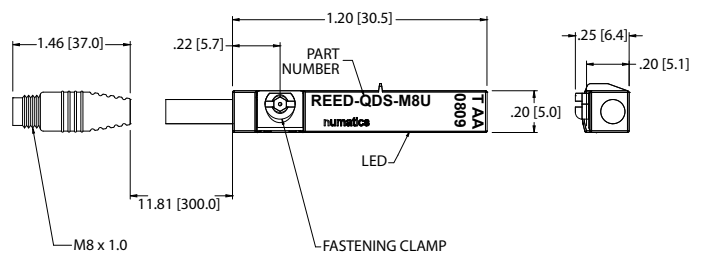
*Switches are not designed for wet environments. Please see your distributor for additional information.


Sensing Part Numbers


REED-FL2-00



REED-QDS-M8U

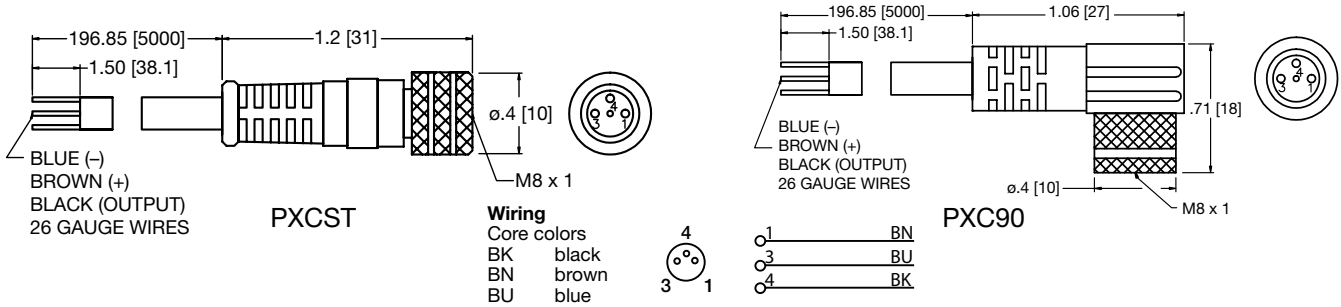


ELECTRICAL DESIGN	AC/DC REED
OUTPUT	Normally Open
OPERATING VOLTAGE	5-120 VAC/DC
CURRENT RATING	100 mA*
SHORT-CIRCUIT PROTECTION	No
OVERLOAD PROTECTION	No
REVERSE POLARITY PROTECTION	Yes
VOLTAGE DROP	< 5 V
REPEATABILITY	± .2mm
MAKETIME INCLUDING BOUNCE	< .6 ms
BREAKTIME	< .1 ms
SWITCHING POWER (MAX)	5 W
SWITCH FREQUENCY	1000 Hz
AMBIENT TEMPERATURE	-25°C to 70°C
PROTECTION	IP 67, II
HYSTERESIS	.9mm
HOUSING MATERIAL	PA (Polyamide) Black; Fastening Clamp: Stainless Steel
FUNCTION DISPLAY SWITCHING STATUS	Yellow LED
CONNECTION	Flying Leads, Pur Cable (2m Long, 2 x26 Gauge Wire)
REMARKS	*External Protective Circuit for Inductive Load (Valve, Contactor, Etc..) Necessary. Conforms to 2008 NEC Section 725 III, Class 2 Circuits Clamping Screw with Combined Slot/Hexagon Socket Head AF 1.5. No LED Function in case of Polarity in DC Operation
ACCESSORIES	Rubber Placeholder, Cable Clip, and Cut Sheet To Be Provided with Every Switch
AGENCY APPROVALS	 RoHS

ELECTRICAL DESIGN	AC/DC REED
OUTPUT	Normally Open
OPERATING VOLTAGE	*5-60 VDC / 5-50 VAC
CURRENT RATING	100 mA
SHORT-CIRCUIT PROTECTION	No
OVERLOAD PROTECTION	No
REVERSE POLARITY PROTECTION	Yes
VOLTAGE DROP	< 5 V
REPEATABILITY	± .2mm
MAKETIME INCLUDING BOUNCE	< .6 ms
BREAKTIME	< .1 ms
SWITCHING POWER (MAX)	5 W
SWITCH FREQUENCY	1000 Hz
AMBIENT TEMPERATURE	-25°C to 70°C
PROTECTION	IP 67, II
HYSTERESIS	.9mm
HOUSING MATERIAL	PA (Polyamide) Black; Fastening Clamp: Stainless Steel
FUNCTION DISPLAY SWITCHING STATUS	Yellow LED
CONNECTION	M8 Connector (Snap Fit), Pur Cable (.3m)
REMARKS	*External Protective Circuit for Inductive Load (Valve, Contactor, Etc..) Necessary. Conforms to 2008 NEC Section 725 III, Class 2 Circuits M8 Connector voltage limited to 5-60 vdc / 5-50 vac to conform with 2008 IEC 61076-2-104 Clamping Screw with Combined Slot/Hexagon Socket Head AF 1.5. No LED Function in case of Polarity in DC Operation
ACCESSORIES	Rubber Placeholder, Cable Clip, and Cut Sheet To Be Provided with Every Switch
AGENCY APPROVALS	 RoHS

*Switches are not designed for wet environments. Please see your distributor for additional information.

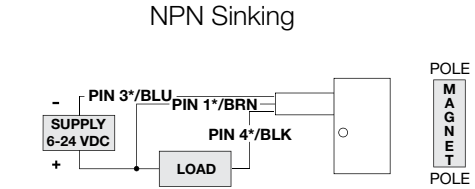
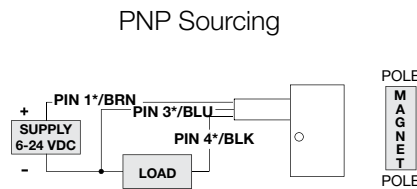
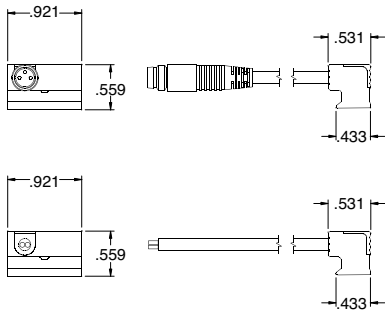
Quick Disconnect Cables



Order Code	Type	Operating Voltage	Current Rating	Cable Material	Protection	Connector
PXCST	Straight 5 m Cable (3 x 26 Gauge wire)	60 AC/75 DC	3 A	PUR	IP 68, III	M8
PXC90	90° 5 m Cable (3 x 26 Gauge wire)	60 AC/75 DC	3 A	PUR	IP 68, III	M8

GS Series World Switch Hall Effect Part Numbers

P/N	Switch Style	Electrical Design	Output	Operating Voltage	Current Rating	Switching Power	Voltage Drop	NEMA IP Rating	Temperature Rating
SH6-031	Flying Lead	DC PNP	Normally Open	6-24 VDC	0.3 Amps Max.	7.2 Watts Max.	.5 Volts	NEMA 6	-25° to +75° C
SH6-032	Flying Lead	DC PNP	Normally Open	6-24 VDC	0.3 Amps Max.	7.2 Watts Max.	.5 Volts	NEMA 6	-25° to +75° C
SH6-021	M8 Connector	DC NPN	Normally Open	6-24 VDC	0.3 Amps Max.	7.2 Watts Max.	.5 Volts	NEMA 6	-25° to +75° C
SH6-022	M8 Connector	DC NPN	Normally Open	6-24 VDC	0.3 Amps Max.	7.2 Watts Max.	.5 Volts	NEMA 6	-25° to +75° C





World Class Supplier of Pneumatic Components



World Headquarters

USA Numatics, Incorporated

46280 Dylan Drive
Novi, Michigan 48377

P: 248-596-3200
F: 248-596-3201

Canada Numatics, Ltd

P: 519-758-2700
F: 519-758-5540

México - Ascomatica SA de CV

P: 52 55 58 09 56 40 (DF y Area metropolitana)
P: 01 800 000 ASCO (2726) (Interior de la República)
F: 52 55 58 09 56 60

Brazil Ascoval Ind.e Comercio Ltda

P: (55) 11-4208-1700
F: (55) 11-4195-3970