



## DeZURIK KGN-MSU METAL SEATED CAST STAINLESS STEEL KNIFE GATE VALVES

### Applications

DeZURIK KGN-MSU metal seated unidirectional Cast Stainless Steel Knife Gate Valves are designed for applications in corrosive, abrasive liquid slurry or dry material applications including: Pulp and Paper, Mining, Waste Water, Chemical, Petrochemical, Power, Steel, and others.

### Design and Construction

**Sizes** - KGN-MSU Knife Gate Valves are available in sizes 2-36" (50-900 mm).

**Working Pressure** – Valve sizes 2-24" (50-600mm) are rated for 150 psi (1000 kPa), valve sizes 30" (750mm) and larger are rated for 100 psi (690 kPa).

**Body & Gland** - The cast one piece lugged body and the packing gland are available in 304 or 316 Stainless Steel.

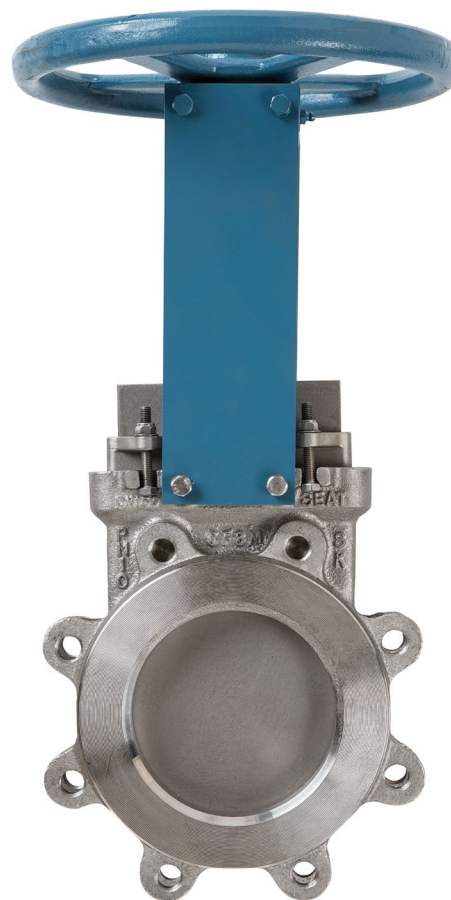
**Gate** - The knife-like gate is available in 304 or 316 Stainless Steel. The gate is precision ground on all sides with beveled edges to maximize packing life and seat shutoff.

**Seat** - The integral metal seat provides shutoff that meets MSS SP-81 standards.

**Gate Guides** - Rugged gate guides provide support while gate moves up and down.

**Gate Jams** - The jams at the bottom of the body wedges the gate securely against the seat to assure positive shutoff.

**Actuators** - The actuator superstructures are heavy duty carbon steel or corrosion resistant stainless steel. All valves are furnished with a stainless steel stem. A variety of actuator options are available including: handwheels, chainwheels, bevel gears, and pneumatic cylinders.



### Flow Capacity

Round port design per MSS SP-81 requirements allows high flow capacity and minimum pressure drop. A stepped transition port eliminates the cavity, where material can accumulate.

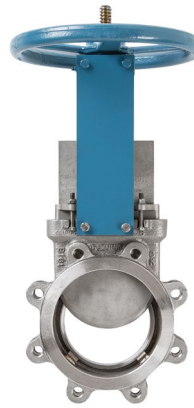
### End Connections

Raised face body has drilled and tapped flanges in accordance with ASME B16.5, 2-24" (50-600mm) or ASME 16.47, 30" (750mm) and larger.

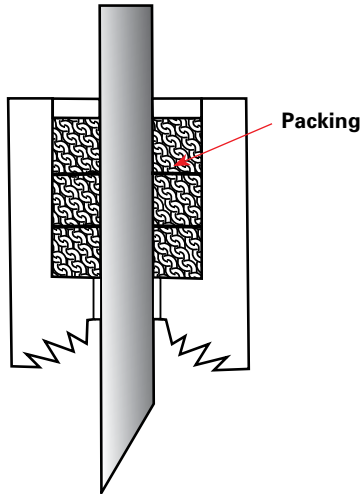
## Application Factors That Affect Your Packing Selection For Optimal Sealing

Compatibility with process media:

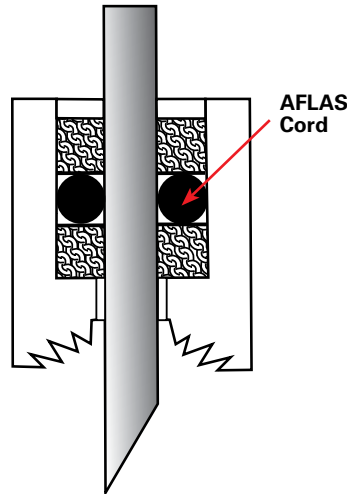
- Wet or dry application
- Life cycle stroke frequency
- Temperature
- pH Acid-Base level
- Scaling or crystallization on gate



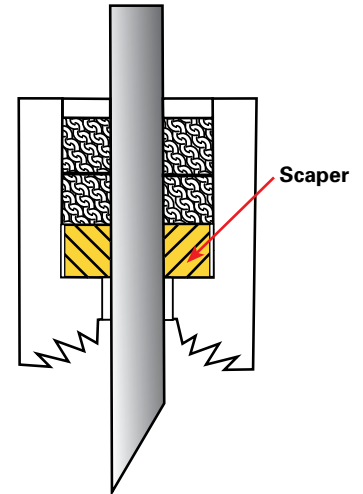
## Packing Material Options



**MSP**  
Square Braided PTFE  
Impregnated Synthetic  
Fiber to 500°F (260°C)  
pH Range: 4-10



**\*M03055**  
PTFE Square Braided  
Packing with AFLAS®  
Fluoroelastomer Cord  
to 400°F (205°C)  
(pH Range: 0-14)



**CWP**  
Square Braided PTFE  
Packing with One Ring  
Copper Wire Braided  
Scraper to 500°F (260°C)  
pH Range: 4-10

**HBP**  
High Temperature  
Square Braided Packing  
to 1000°F (540°C)  
pH Range: 4-10

**KWP**  
Square Braided PTFE  
Packing with One Ring  
Kevlar® (para-aramid)  
Fiber Scraper  
to 500°F (260°C)  
pH Range: 4-10

## Sales and Service

For information about our worldwide locations, approvals, certifications and local representative:

Web Site: [www.dezurik.com](http://www.dezurik.com) E-Mail: [info@dezurik.com](mailto:info@dezurik.com)



250 Riverside Ave. N. Sartell, Minnesota 56377 • Phone: 320-259-2000 • Fax: 320-259-2227

*DeZURIK, Inc. reserves the right to incorporate our latest design and material changes without notice or obligation. Design features, materials of construction and dimensional data, as described in this bulletin, are provided for your information only and should not be relied upon unless confirmed in writing by DeZURIK, Inc. Certified drawings are available upon request.*