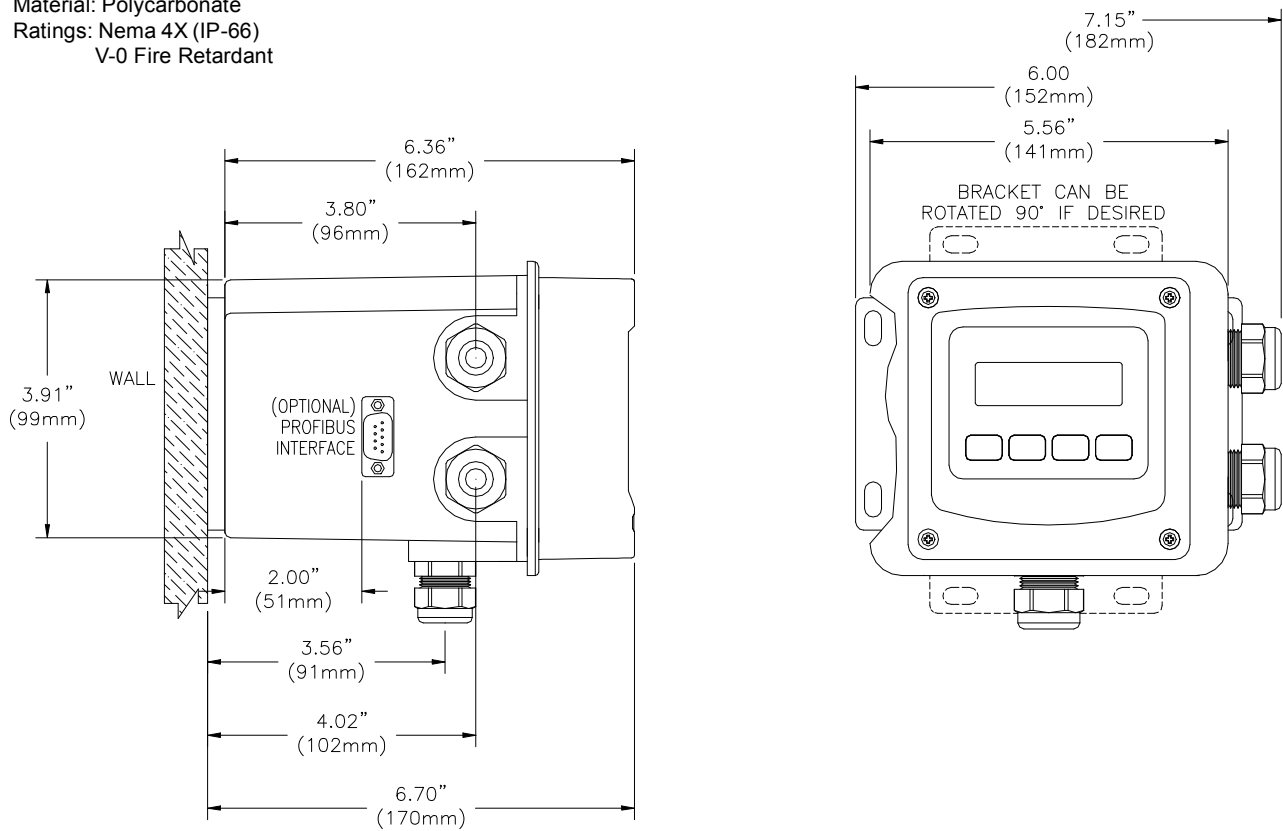


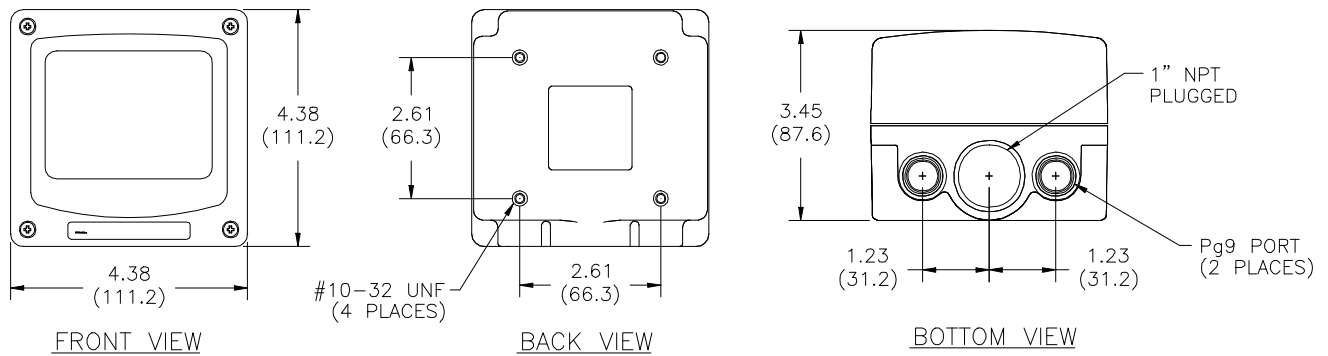
ANALYZER DIMENSIONS (WALL MOUNT SHOWN)

Material: Polycarbonate
 Ratings: Nema 4X (IP-66)
 V-0 Fire Retardant



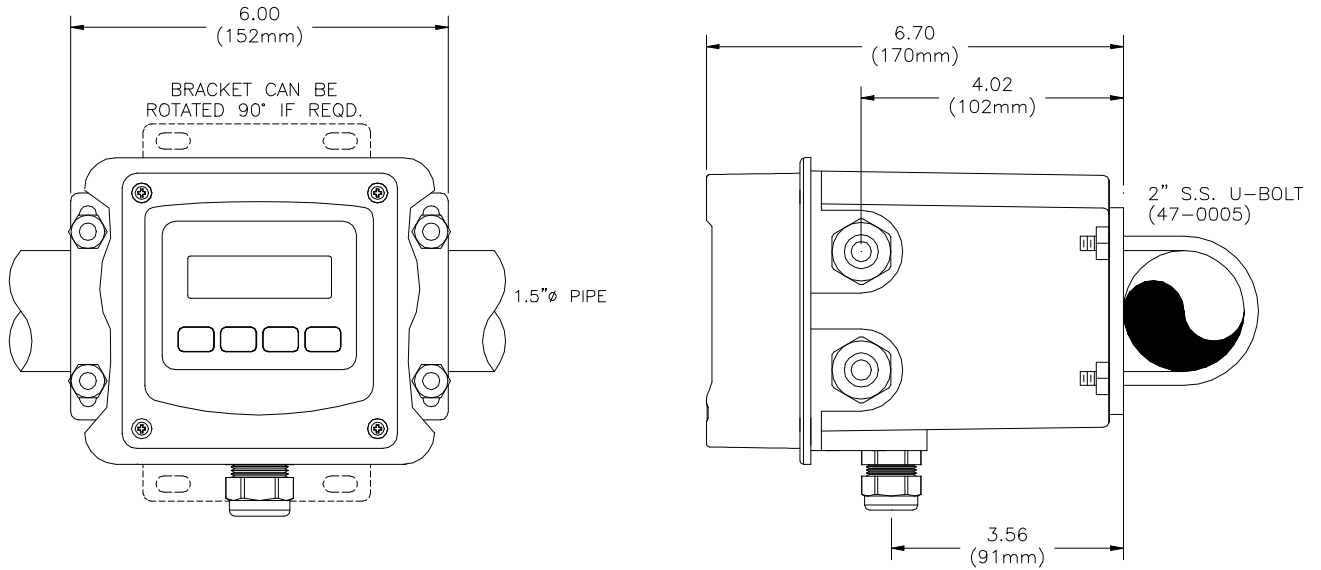
ATI-0926

JUNCTION BOX



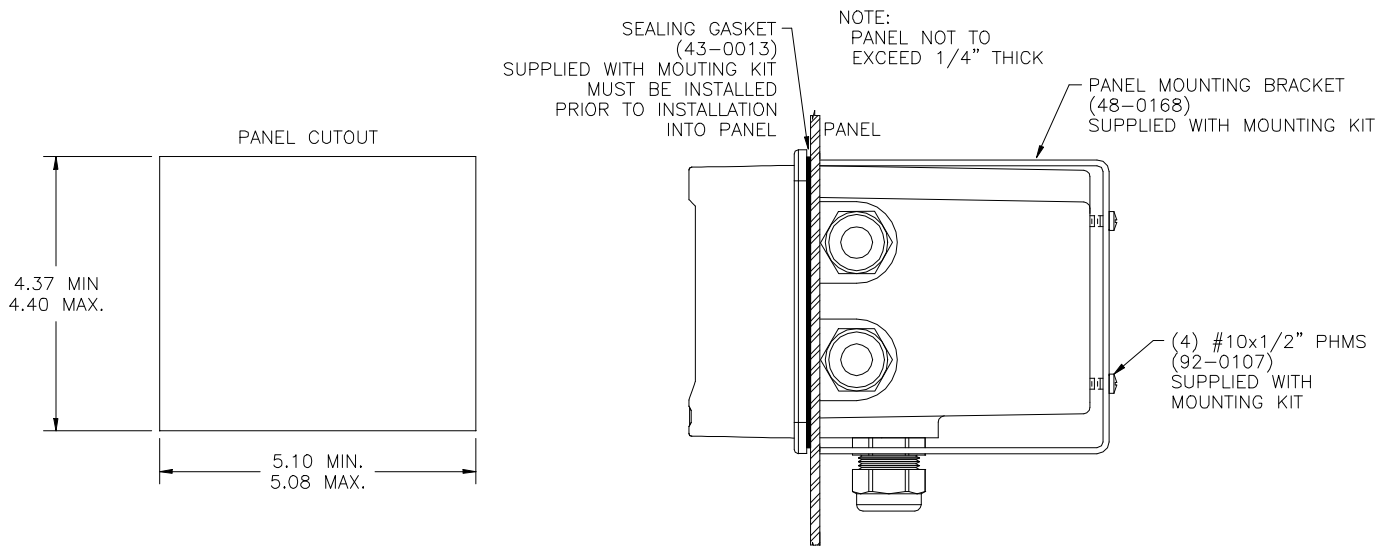
ATI-0655

PIPE MOUNTING



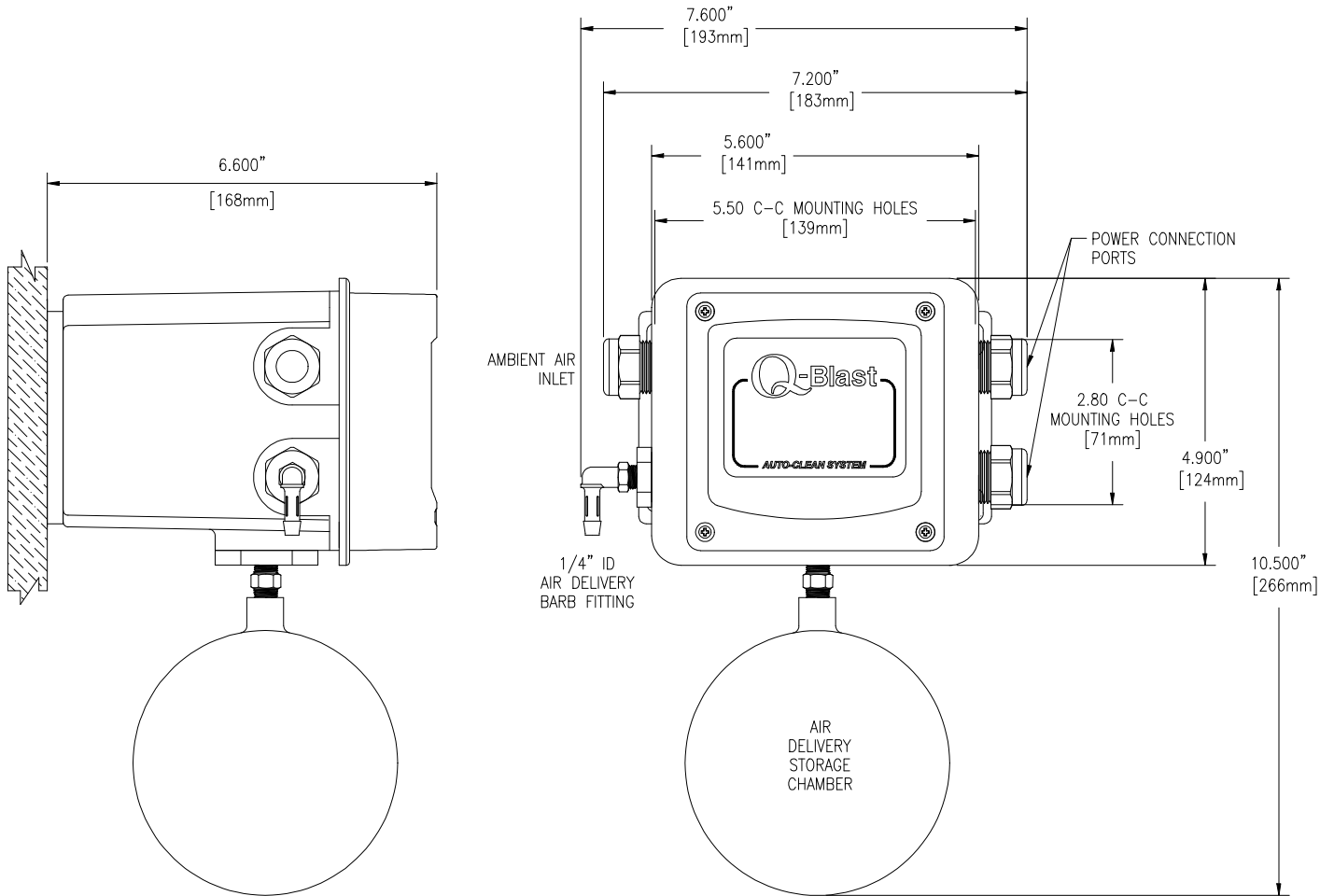
ATI-0927

PANEL MOUNTING DIAGRAM

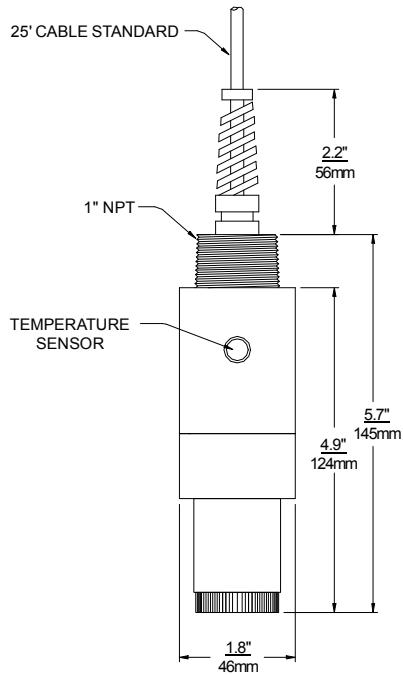


ATI-0928

AIR-BLAST ASSEMBLY

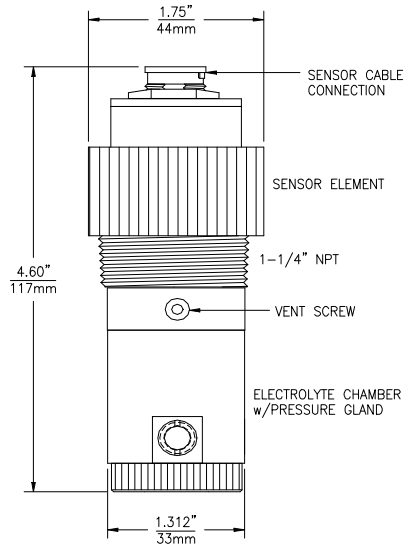


SUBMERSIBLE - MEMBRANED



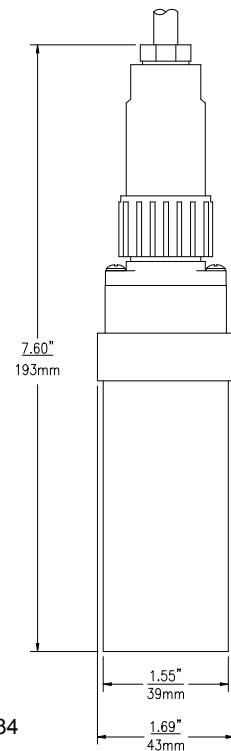
ATI-004

FLOW TYPE - MEMBRANED



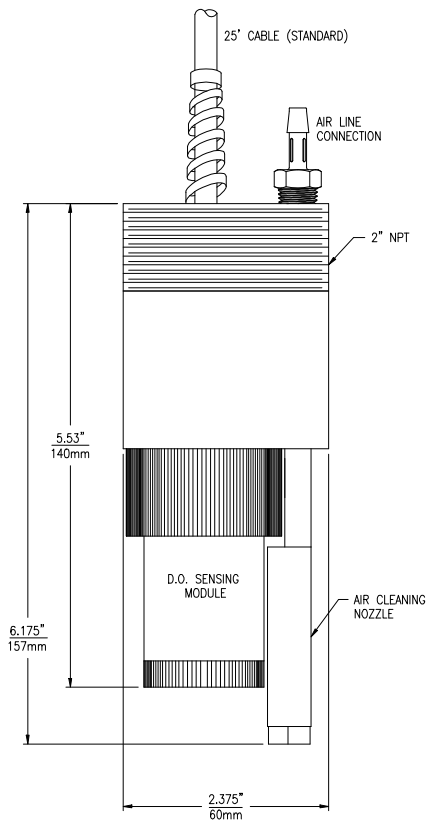
ATI-0994

FLOW TYPE - OPTICAL



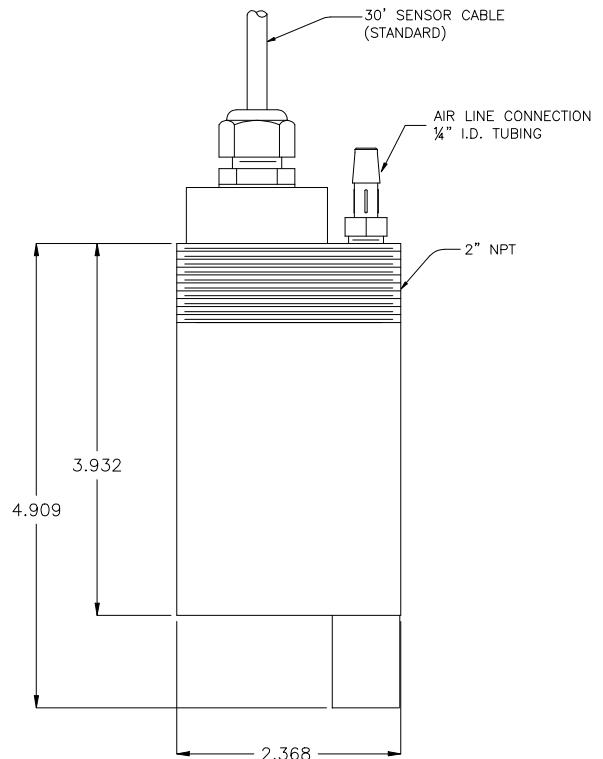
ATI-0434

AUTOCLEAN - MEMBRANED

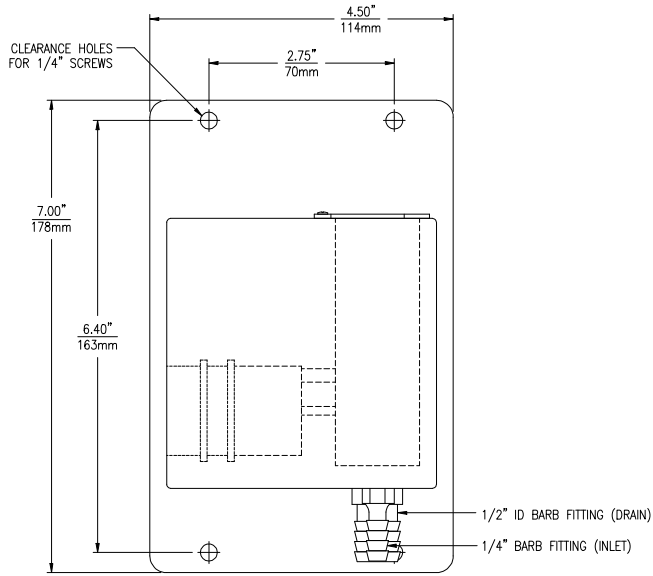


ATI-0870

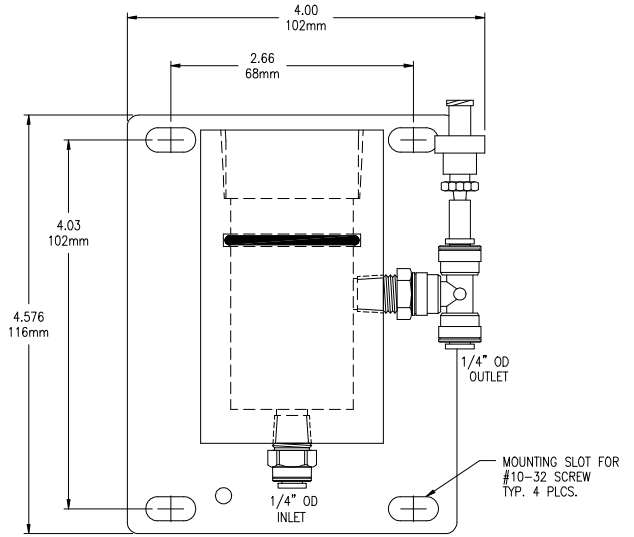
AUTOCLEAN - OPTICAL



(00-0043) OVERFLOW CELL

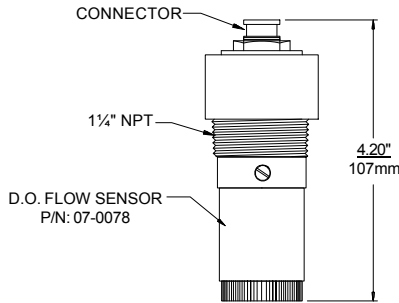


(00-1522) SEALED FLOWCELL

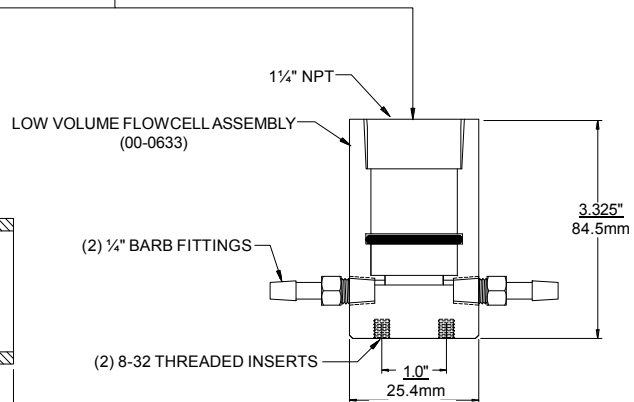
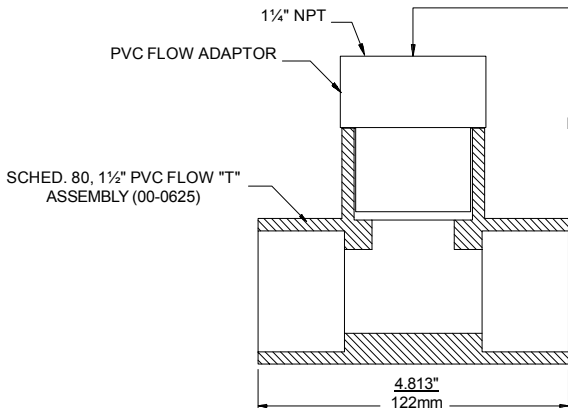


SPECIAL APPLICATION FLOWCELLS (CONSULT FACTORY)

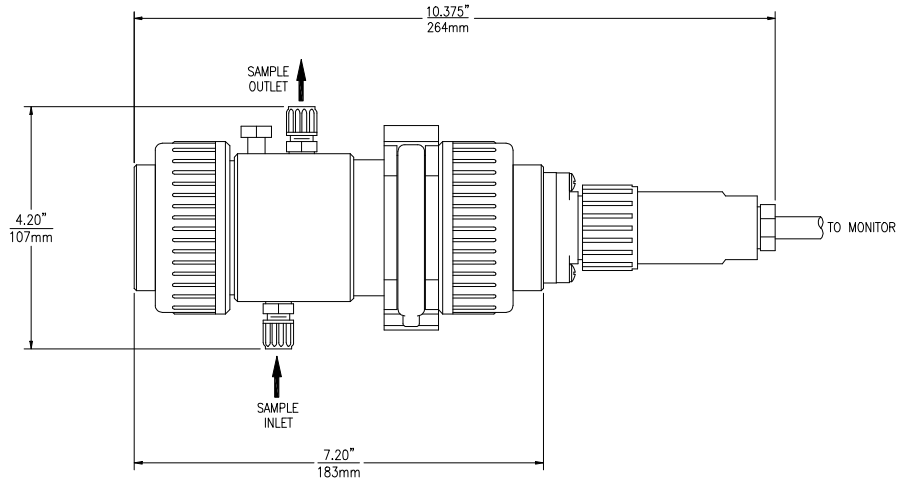
- 1) Sensor Material:
Noryl EN265 & Stainless Steel
- 2) Connector is not submersible.
- 3) Outer diameter of sensor:
1.75" Dia.
44.5mm Dia.



- Flow "T":
- 1) Max. 50 PSI for Flow "T" operation.
 - 2) Use Teflon tape to seal In-Line Sensor.
- Low Volume Flowcell:
- 1) Material: Clear Acrylic



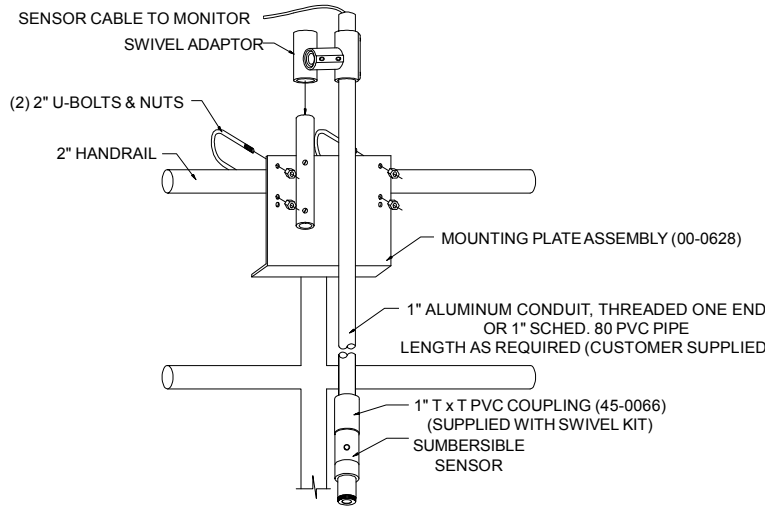
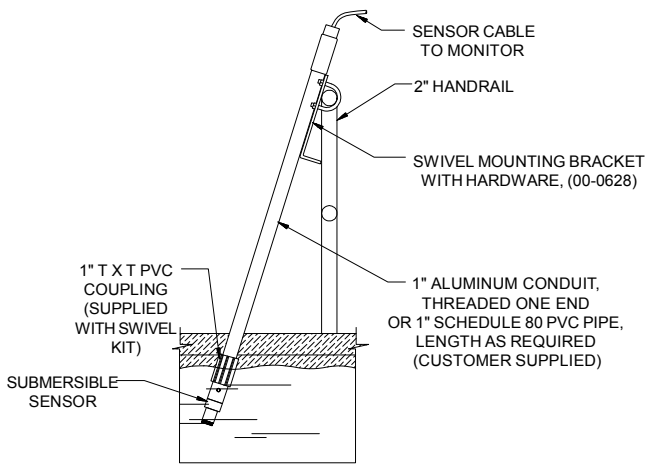
OPTICAL SENSOR / FLOWCELL INSTALLATION DRAWING



ATI-0444

SENSOR HANDRAIL MOUNTING

SENSOR HANDRAIL INSTALLATION



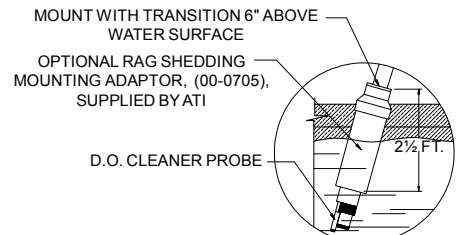
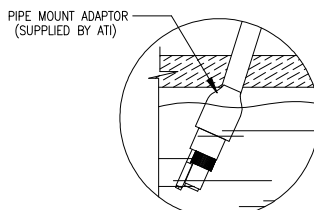
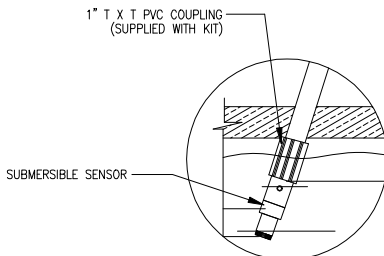
ATI-0188

SUBMERSIBLE SENSOR MOUNTING OPTIONS

STANDARD SUBMERSIBLE (00-0628)

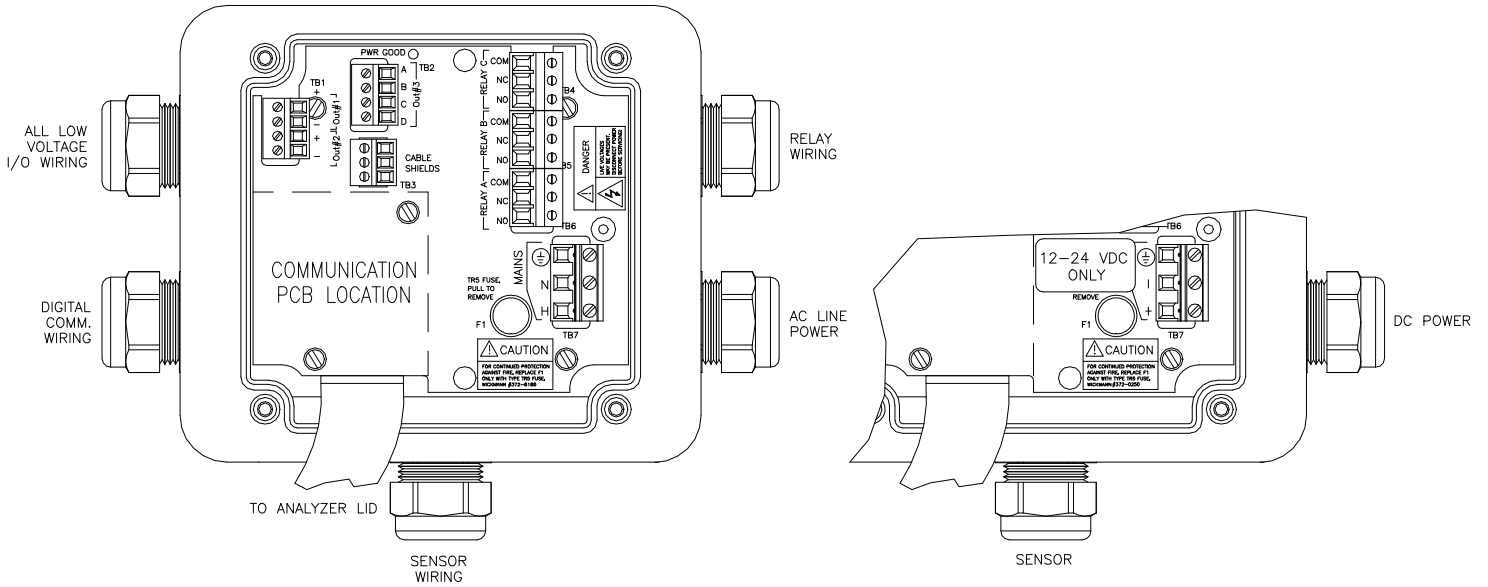
AUTOCLEAN SUBMERSIBLE (00-0624)

w/OPTIONAL RAG SHEDDER (00-0629)

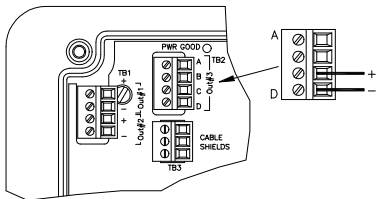


ATI-0155

POWER, RELAY, AND OUTPUT CONNECTIONS

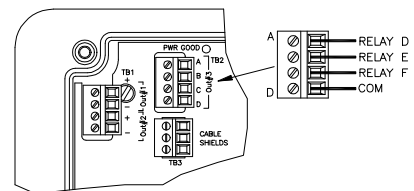


Optional Analog Output Wiring



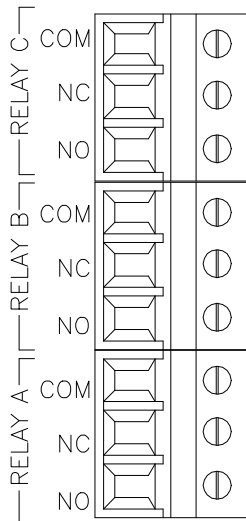
ATI-0930, 0932, 0933

Optional Relay Board Wiring (30V Max.)

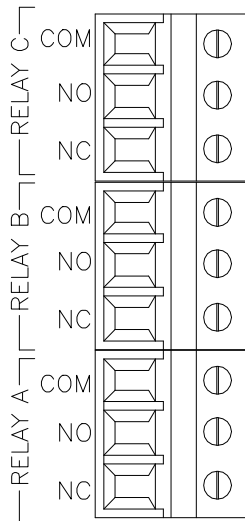


RELAY WIRING TB4,5,6 DETAIL

FACTORY DEFAULT (NORMAL MODE)

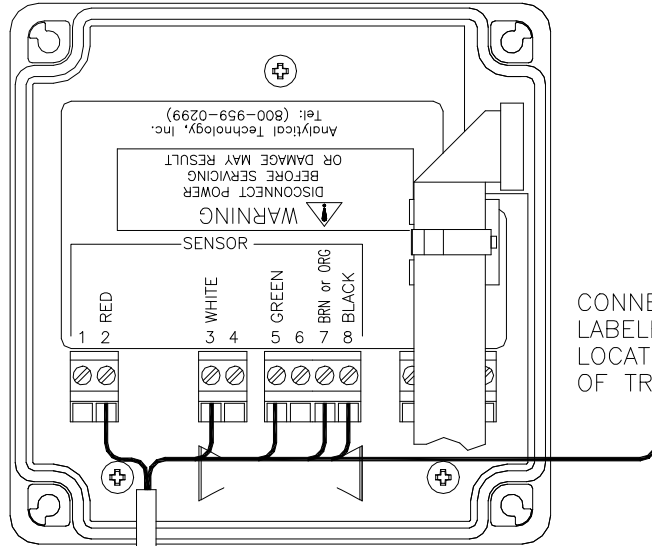


(FAILSAFE MODE)



ATI-0931

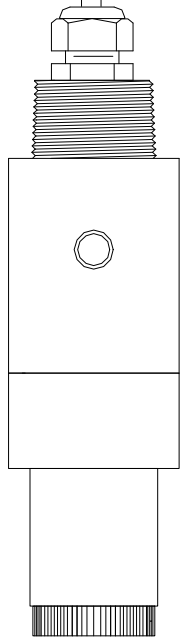
SENSOR CONNECTIONS



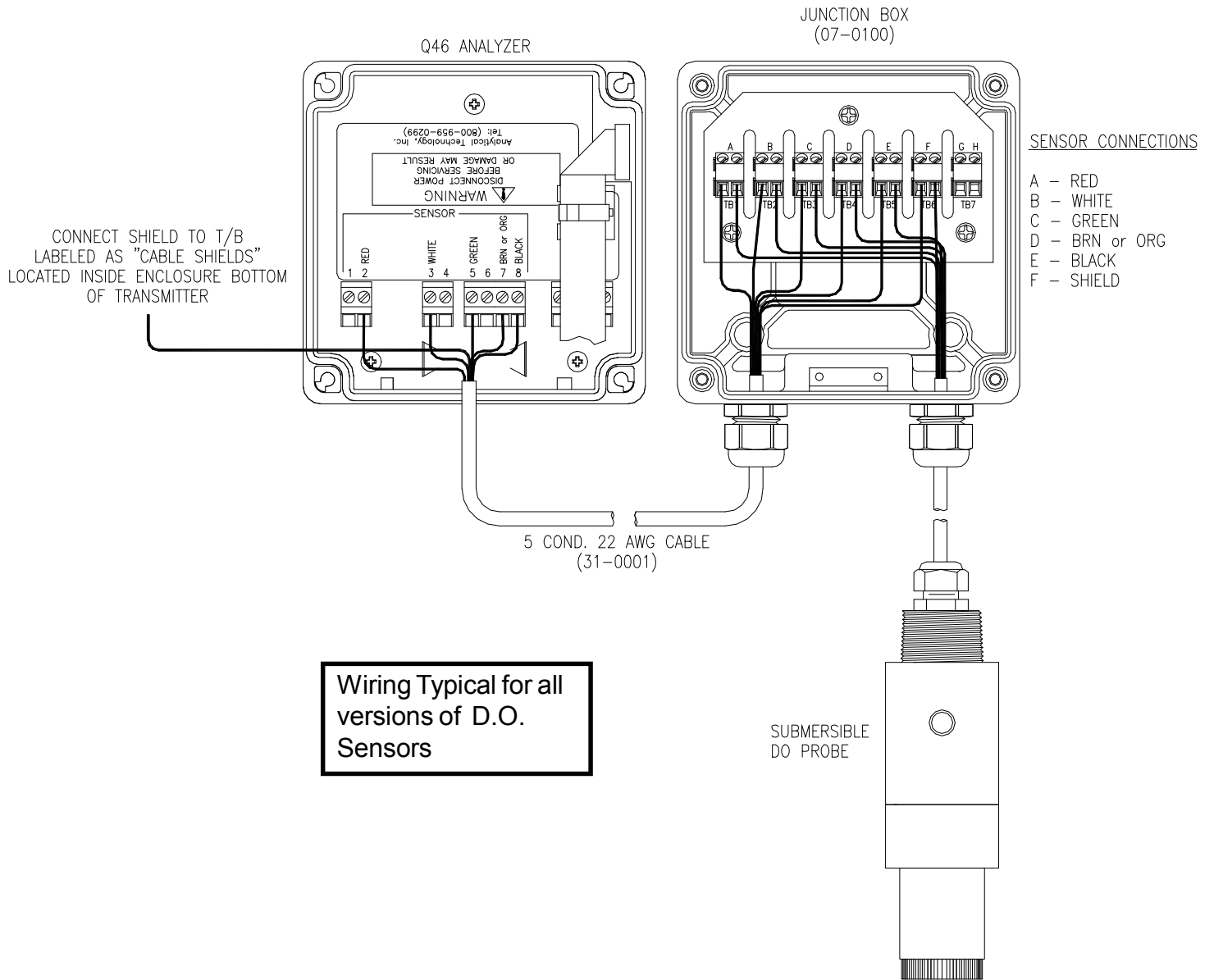
CONNECT SHIELD TO T/B
LABELED AS "CABLE SHIELDS"
LOCATED INSIDE ENCLOSURE BOTTOM
OF TRANSMITTER

Wiring Typical for all
versions of D.O.
Sensors

SUBMERSIBLE
DO PROBE



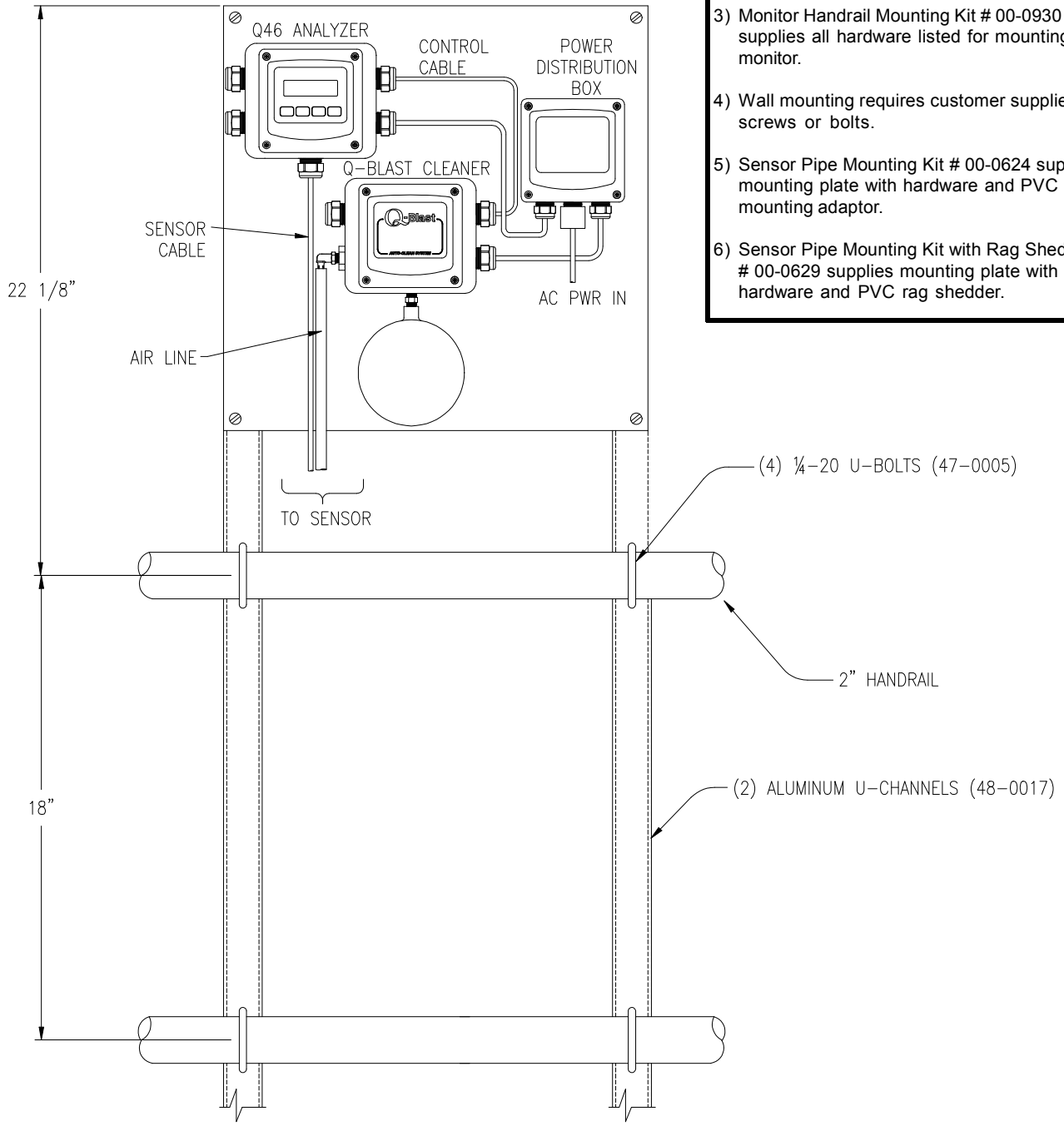
SENSOR CONNECTIONS - REMOTE JUNCTION BOX



MONITOR HANDRAIL INSTALLATION

NOTES

- 1) Always mount sensor cleaner within 25 ft. of sensor if possible. Maximum air line distance is 50 ft.
- 2) Sun shade over monitor is recommended in hot climates.
- 3) Monitor Handrail Mounting Kit # 00-0930 supplies all hardware listed for mounting monitor.
- 4) Wall mounting requires customer supplied screws or bolts.
- 5) Sensor Pipe Mounting Kit # 00-0624 supplies mounting plate with hardware and PVC pipe mounting adaptor.
- 6) Sensor Pipe Mounting Kit with Rag Shedder # 00-0629 supplies mounting plate with hardware and PVC rag shedder.



ATI-0962

AUTOCLEAN SYSTEM - ELECTRICAL WIRING

NOTE: DC ANALYZER PWR INPUTS INDICATE "+" AND "-" FOR INPUT CONNECTIONS. DO NOT ATTEMPT TO CONNECT AC PWR TO A DC ANALYZER AND VISE VERSA

